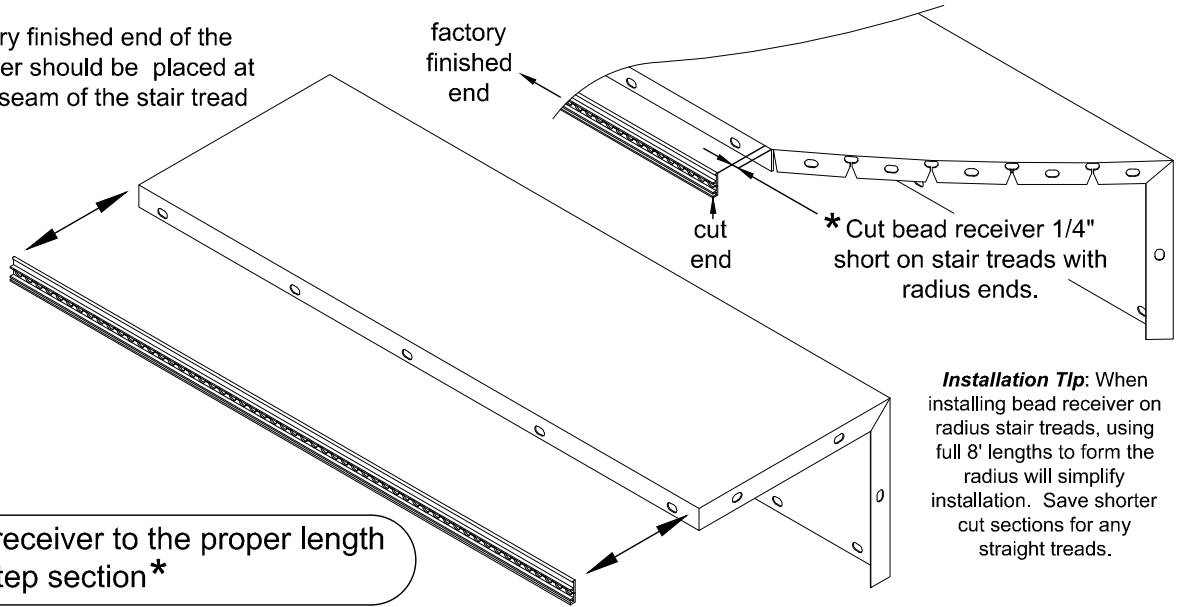
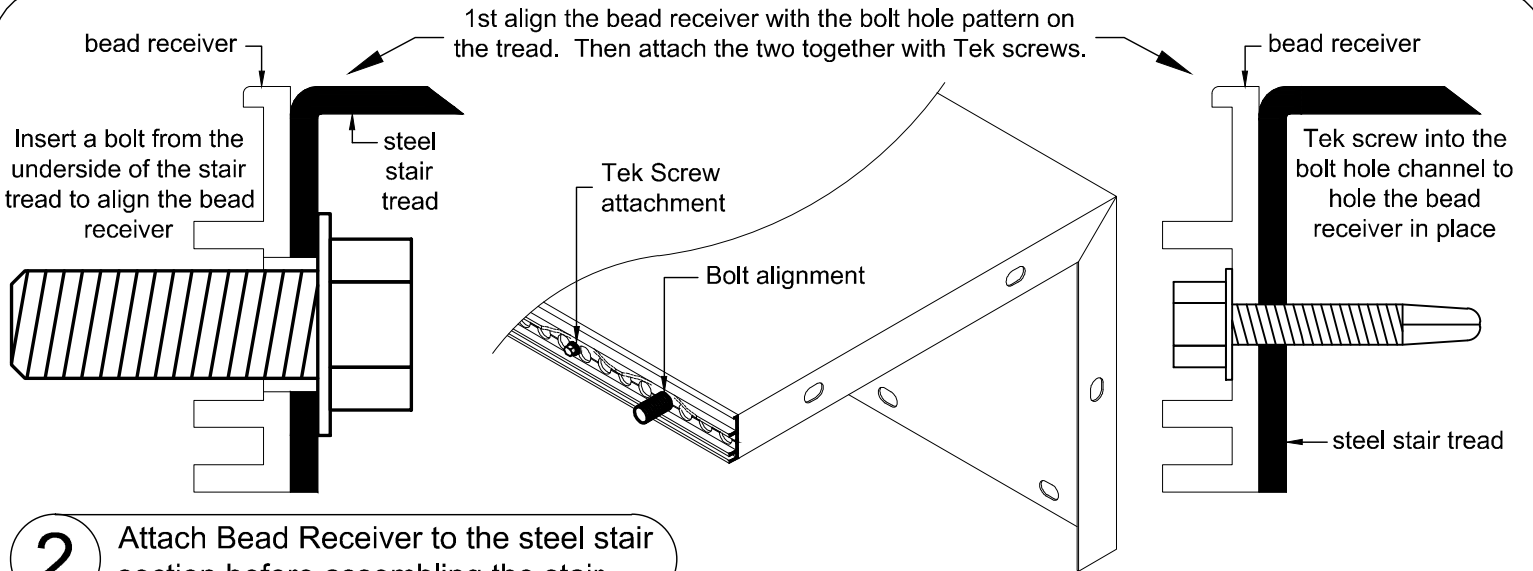


* The factory finished end of the bead receiver should be placed at the center seam of the stair tread

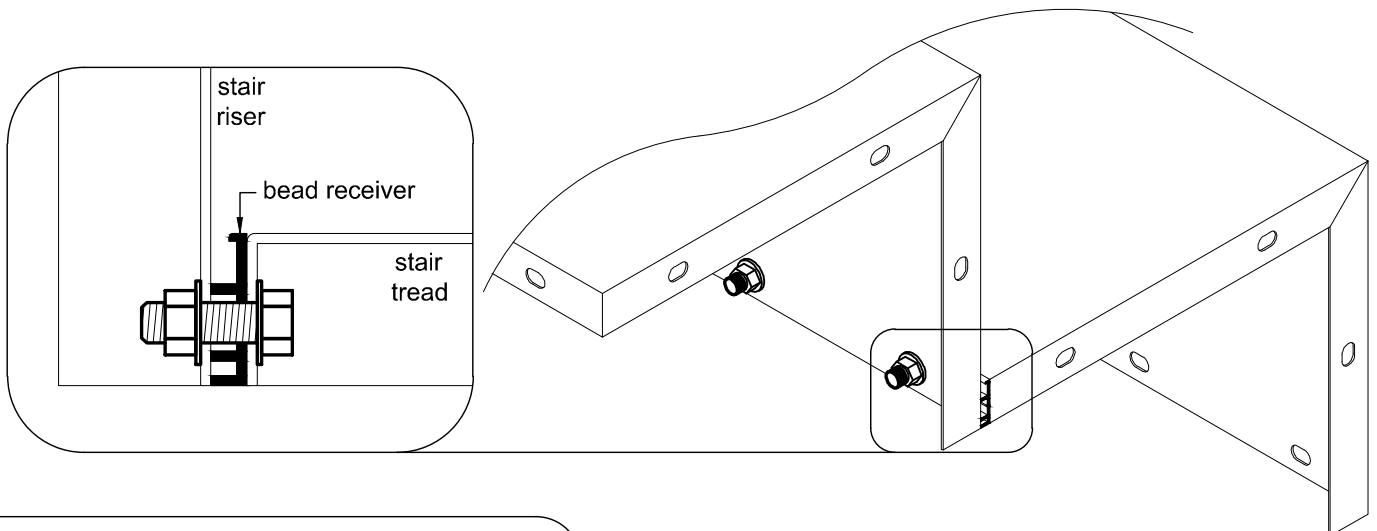


Installation Tip: When installing bead receiver on radius stair treads, using full 8' lengths to form the radius will simplify installation. Save shorter cut sections for any straight treads.

1 Cut bead receiver to the proper length for each step section*



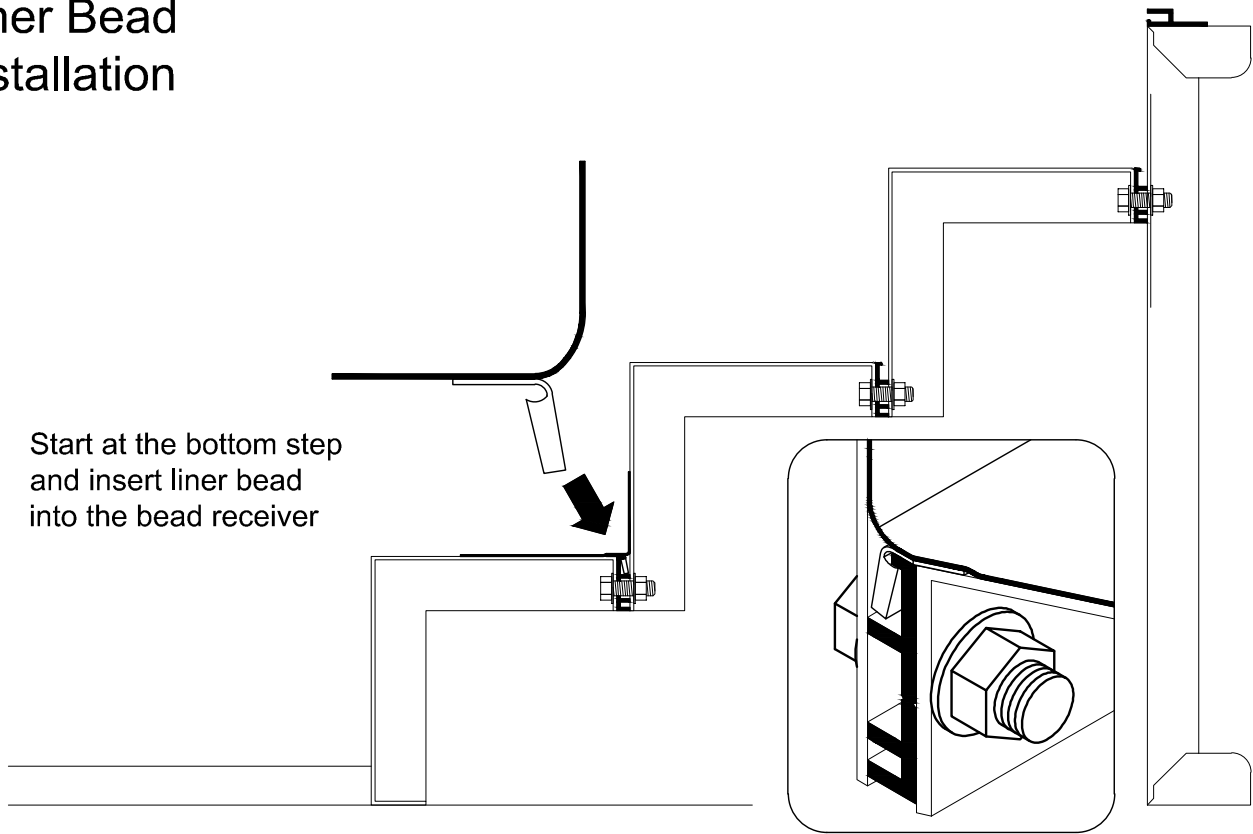
2 Attach Bead Receiver to the steel stair section before assembling the stair



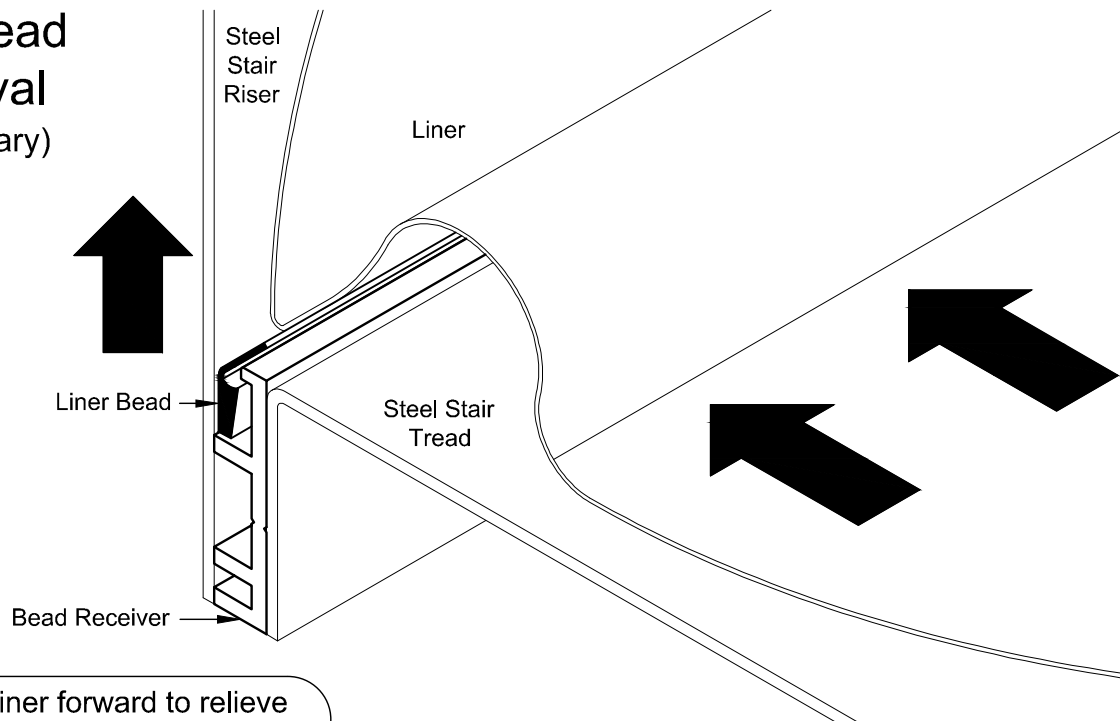
3 Assemble Stair with Bead Receiver in between the tread and riser

Liner Bead Installation

Start at the bottom step and insert liner bead into the bead receiver



Liner Bead Removal (if necessary)



1 Push liner forward to relieve the tension on the liner bead

2 Pull bead up and out of the bead receiver track