



**Imperial**  
**POOLS INC.**  
REDEFINING ONE SOURCE

# STEEL SPEC BOOK

## 6" Radius and 90° Corner Rectangle Pools

### 48" Panel

- Assembly Drawings and Guidelines  
(Nexus Steel - 8' Stair, Full-End Stair,  
Full-End Stair/Sundeck and 8' Plastic Step)
- Dig Specifications
- Panel Layouts
- Coping Layouts (CP2 and Progressive)

**\*Electronic Version of this book is form fillable, allowing it to be customized to include Dealer, Job Name, and Corner Type.  
Find it on [www.ImperialPoolsB2B.com](http://www.ImperialPoolsB2B.com)**

*Pool components manufactured by Imperial Pools, Inc. are intended for private residential use only.*

## WARNINGS TO INSTALLER



# CAUTION

**CARE SHOULD BE TAKEN WHEN INSTALLING  
A POOL. SERIOUS INJURY CAN OCCUR IF PROPER  
PRECAUTIONS ARE NOT TAKEN DURING INSTALLATION.**

A safety package should be provided with the pool. Its contents should be reviewed with the pool owner. The package should include a pool safety sign, "NO DIVING" decals and placement instructions, the Association of Pool and Spa Professionals Minimum Standards for Residential Swimming Pools, and safety booklets such as: the Sensible Way to Enjoy Your Inground Swimming Pool, Greg Lougainis on Diving, and Children Aren't Waterproof. You may obtain a safety package by contacting:

Customer Service  
33 Wade Road  
Latham, NY 12110  
(518) 786-1200

The installer should place all warnings according to the manufacturer's instructions prior to use of this pool.

NOTICE: It is not recommended to use diving and/or sliding equipment on residential pools. Such equipment, its installation, and use is the responsibility of the pool owner.

These pools are designed for private, residential use only. If this is not a private, residential pool, you should contact your local building department and the Association of Pool and Spa Professionals for standards relevant to its use, since they may be quite different.

**Association of Pool and Spa Professionals  
211 Eisenhower Avenue  
Alexandria, Virginia 22314**

For Pool Regulations and Standards refer to your Installation Manual-APSP Standards for Residential Swimming Pools.

## WARNINGS TO POOL OWNER

Before using your pool, the dealer and/or installer should provide you with a safety package which should include a pool safety sign, "NO DIVING" decals and placement instructions, the Association of Pool and Spa Professionals Minimum Standards for Residential Swimming Pools, and the following pool safety booklets:

1. The Sensible Way to Enjoy Your Inground Swimming Pool.
2. Greg Lougainis on Diving - Knowing How to Dive Can Be Worth More Than Gold. It Can Be Worth Your Life.
3. Children Aren't Waterproof.

A safety package can be obtained by contacting:

Customer Service  
33 Wade Road  
Latham, NY 12110  
(518) 786-1200



# WARNING



**DIVING OR JUMPING  
INTO POOL MAY RESULT  
IN SERIOUS INJURY**

### Swimming & Diving Safety

Imperial does not recommend the use of diving and/or sliding equipment on residential pools. If you choose to dive, a thorough familiarity with the pool bottom, awareness of depths, and understanding of the principles of head-first entry into the water are critical factors in safe diving.

# Table of Contents

All pools shown are made with 48" steel walls

All pools shown conform to the current *APSP/ANSI/ICC-5 2011* & *ISPC 2024* standards for residential inground swimming pools. Pools are intended for residential use only.

All Step & Sundeck Units used in this book can be installed in multiple locations and configurations on the various pools using the wall panels shown. The installer is responsible for communicating the final design to the liner manufacturer to insure a proper fit.

## LEGEND

Non-Diving = \*

8PS-C

8' Plastic Stair

at Center Shallow End

FES

Nexus Full End Stair

FES-SD

Nexus Full End Stair/ Sundeck

8NS-C

8' Nexus Stair

at Center Shallow End

NS-R

Nexus Stair at Right 3 Corner

NS-L

Nexus Stair at Left 3 Corner

## 12' x 24' Rectangle

(90° / 6" Radius corners)

Stair -	page:
8PS-C*	1
8NS-C*	2
NS-R*	3
NS-L*	4
FES*	5
FES-SD*	6

## 14' x 28' Rectangle

(90° / 6" Radius corners)

Stair -	page:
8PS-C*	7
8NS-C*	8
NS-R*	9
NS-L*	10
FES*	11
FES-SD*	12

## 16' x 32' Rectangle

(90° / 6" Radius corners)

Stair -	page:
8PS-C	13
8NS-C	14
NS-R	15
NS-L	16
FES*	17
FES-SD*	18

## 16' x 36' Rectangle

(90° / 6" Radius corners)

Stair -	page:
8PS-C	19
8NS-C	20
NS-R	21
NS-L	22
FES	23
FES-SD*	24

## 18' x 36' Rectangle

(90° / 6" Radius corners)

Stair -	page:
8PS-C	25
8NS-C	26
NS-R	27
NS-L	28
FES	29
FES-SD	30

## 20' x 40' Rectangle

(90° / 6" Radius corners)

Stair -	page:
8PS-C	31
8NS-C	32
NS-R	33
NS-L	34
FES	35
FES-SD	36

## Appendix

(Corner Filler Specifications & Assembly)  
(Stair & Sundeck Detailed)

Feature	page
Corner & Stair Fillers	A1
8' Offset Stair	A2
12' Full End Stair	A3
12' Full End Variable Sundeck	A4
14' Full End Stair	A5
14' Full End Variable Sundeck	A6
16' Full End Stair	A7
16' Full End Variable Sundeck	A8
18' Full End Stair	A9
18' Full End Variable Sundeck	A10
20' Full End Stair	A11
20' Full End Variable Sundeck	A12
Progressive Coping for 6" Radius	A13-A17
CP2 Coping for 6" Radius	A18-A22

# STEEL 48" WALL PANELS

## 12' x 24' 90° OR 6"R CORNER RECTANGLE

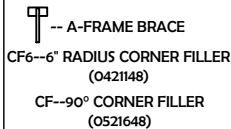
### BILL OF MATERIALS

QUANTITY	DESCRIPTION	Item #
2	2' PLAIN PANEL - 48"	0411448
0	3' PLAIN PANEL - 48"	0411348
1	4' PLAIN PANEL - 48"	0411048
0	6' LIGHT PANEL - 48"	05112L48
4	8' PLAIN PANEL	0510248
1	8' SKIMMER PANEL- 1085 - 48"	0510448
2	8' RETURN PANEL - 48"	0510848
1	8' STEP AND REST - 48"	074185NR48
4	90° FILLER - 48" (OPTIONAL)	0521648
7	A-FRAME	VARIES
8	DIAG. 6" RADIUS CORNER FILLER (2 REQ. PER CORNER) - 48"	0421148
2	75 PACK HEX BOLT AND WASHER	PAK75
0	100 PACK HEX BOLT AND WASHER	PAK100

**ALL DIMENSIONS ARE FINISH DIMENSIONS**

\*\* see page Appendix for all stair specifications

\*\* see page A1 Steel Corner Filler specifications

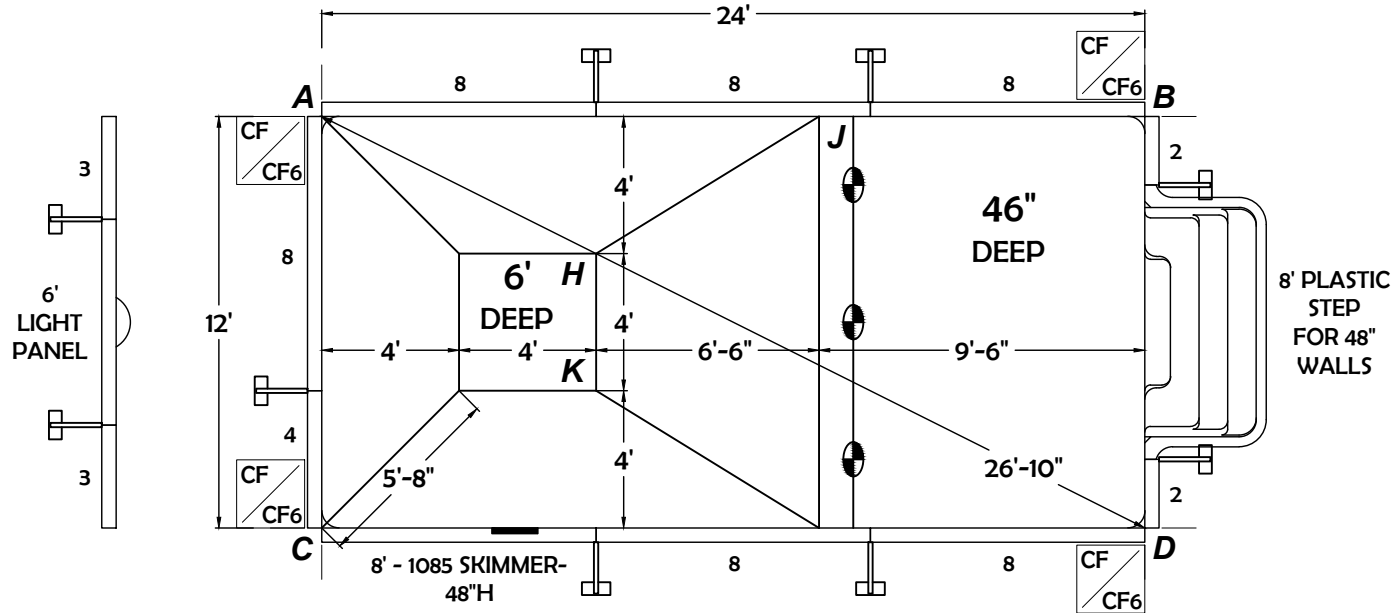


### NO DIVING PERMITTED INTO THIS POOL

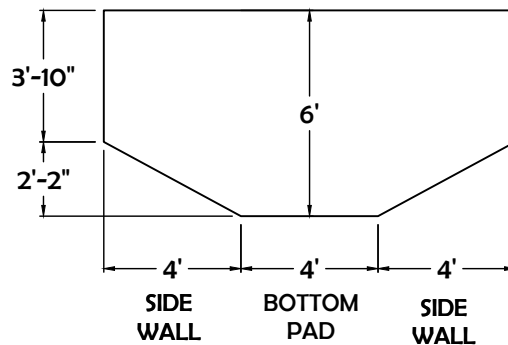
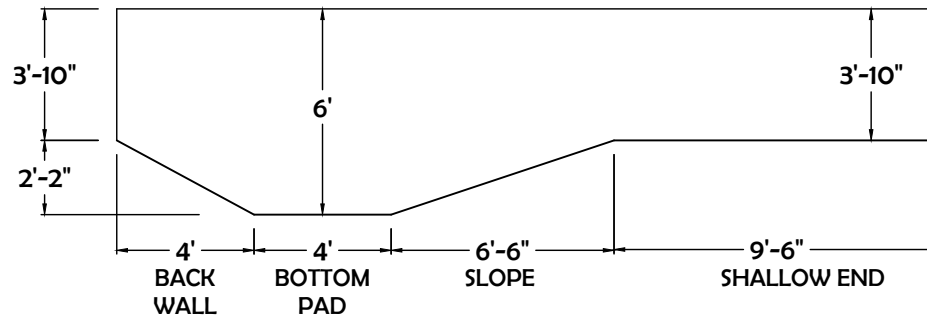
The bottom configuration shown conforms with the current ISPSC & ANSI / APSP / ICC suggested minimum standards for pools NOT approved for diving.

**WARNING:** Swimming pools can be dangerous if used improperly. Consult your dealer for information on safe use. It's the responsibility of town officials, builders and homeowners to follow safety recommendations of APSP/ANSI, local ordinances & equipment manufacturers.

- All work not specifically shown here is to be done in accordance with the requirements of the 2024 INTERNATIONAL SWIMMING POOL & SPA CODE, APSP/ANSI/ICC-5 2011 STANDARDS FOR RESIDENTIAL INGROUND SWIMMING POOLS, and all other local building codes.
- Construction Drawing: Different methods and precautions may be dictated by various ground conditions. This is to be determined by and is the responsibility of the contractor who is not an agent of the manufacturer of the component parts.
- Depth and shape of the pool meet minimum standards of the 2024 INTERNATIONAL SWIMMING POOL & SPA CODE and the APSP/ANSI/ICC-5 2011 STANDARDS FOR RESIDENTIAL INGROUND SWIMMING POOLS.
- A means of entry & exit for the deep end & shallow end of the pool must be provided in accordance with 2024 INTERNATIONAL SWIMMING POOL & SPA CODE, section 809.
- Equipotential bonding must be provided in accordance with the NATIONAL ELECTRIC CODE, NFPA 70.
- All A-frame braces are to be contained within an 8" thick continuous poured concrete (2500 psi) perimeter collar.
- Backfill with clean earth, free of roots and debris.
- Finished bottom is to be 2" minimum of suitable material or undisturbed earth.
- 3' wide, 3" thick concrete deck is to be poured at a slope of 1/4" to 1' away from the pool.
- NO DIVING labels are to be installed around the perimeter of the pool.
- A safety line, with buoys, is to be permanently attached 10" to the shallow side of the point of first slope change.
- Suction entrapment avoidance to be installed in accordance with APSP/ANSI/ICC-7
- Pool Coping/Deck is within 12" of the designated waterline, this satisfies requirement for handholds per ISPSC 2024 SECTION 323.1.



CF6--6" RADIUS CORNER FILLER (0421148 x2)  
CF--90° CORNER FILLER (0521648)



FROM A TO:		FROM B TO:		FROM C TO:		FROM D TO:	
D	26'-10"	C	26'-10"	B	26'-10"	A	26'-10"
H	8'-11 1/4"	H	16'-6"	H	11'-3 3/4"	H	17'-10 3/4"
J	14'-6"	J	9'-6"	J	18'-9 3/4"	J	15'-3 3/4"
K	11'-3 3/4"	K	17'-10 3/4"	K	8'-11 1/4"	K	16'-6"
L	18'-9 3/4"	L	15'-3 3/4"	L	14'-6"	L	9'-6"

Customer Signature: \_\_\_\_\_ Date: \_\_\_\_\_

Corner Type: 90°  6"R

Dealer: \_\_\_\_\_

Job Name: \_\_\_\_\_

**INSTALLATION NOTE:**  
Substitute (1) - 90° Corner Fillers (#0521648) in place of (2) 6"R Corner Fillers for 90° corner pool option.  
See page A1 Steel Corner Filler specifications  
Installer **MUST** specify what type of corners (90° OR 6"R) are desired when ordering both the pool and liner.

# STEEL 48" WALL PANELS

## 12' x 24' 90° OR 6"R CORNER RECTANGLE

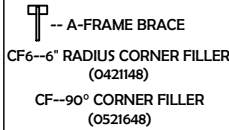
### BILL OF MATERIALS

QUANTITY	DESCRIPTION	Item #
2	2' PLAIN PANEL - 48"	O411448
0	3' PLAIN PANEL - 48"	O411348
1	4' PLAIN PANEL - 48"	O411048
0	6' LIGHT PANEL - 48"	O5112L48
1	8' NEXUS STEEL STAIR FOR 48" WALL COMPLETE W/ BEAD & HARDWARE	O4188BN548
4	8' PLAIN PANEL	O510248
1	8' SKIMMER PANEL- 1085 - 48"	O510448
2	8' RETURN PANEL - 48"	O510848
1	90° RECT. STAIR FILLER LEFT- 48"	O4206UH48
1	90° RECT. STAIR FILLER RIGHT - 48"	O4207UH48
4	90° FILLER - 48" (OPTIONAL)	O521648
5	A-FRAME	VARIES
4	DIAG. 6" RADIUS CORNER FILLER (2 REQ. PER CORNER) - 48"	O421148
2	75 PACK HEX BOLT AND WASHER	PAK75
0	100 PACK HEX BOLT AND WASHER	PAK100

**ALL DIMENSIONS ARE FINISH DIMENSIONS**

\*\* see page Appendix for all stair specifications

\*\* see page A1 Steel Corner Filler specifications

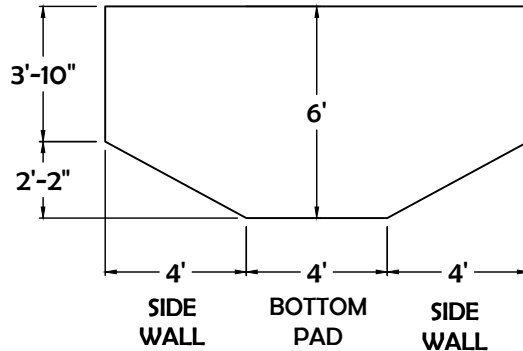
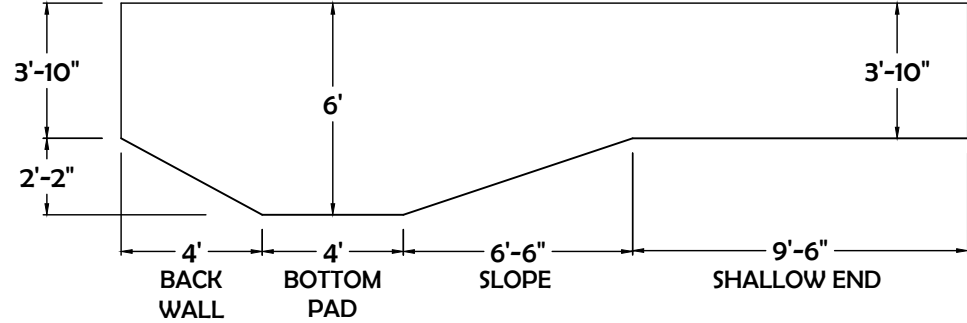
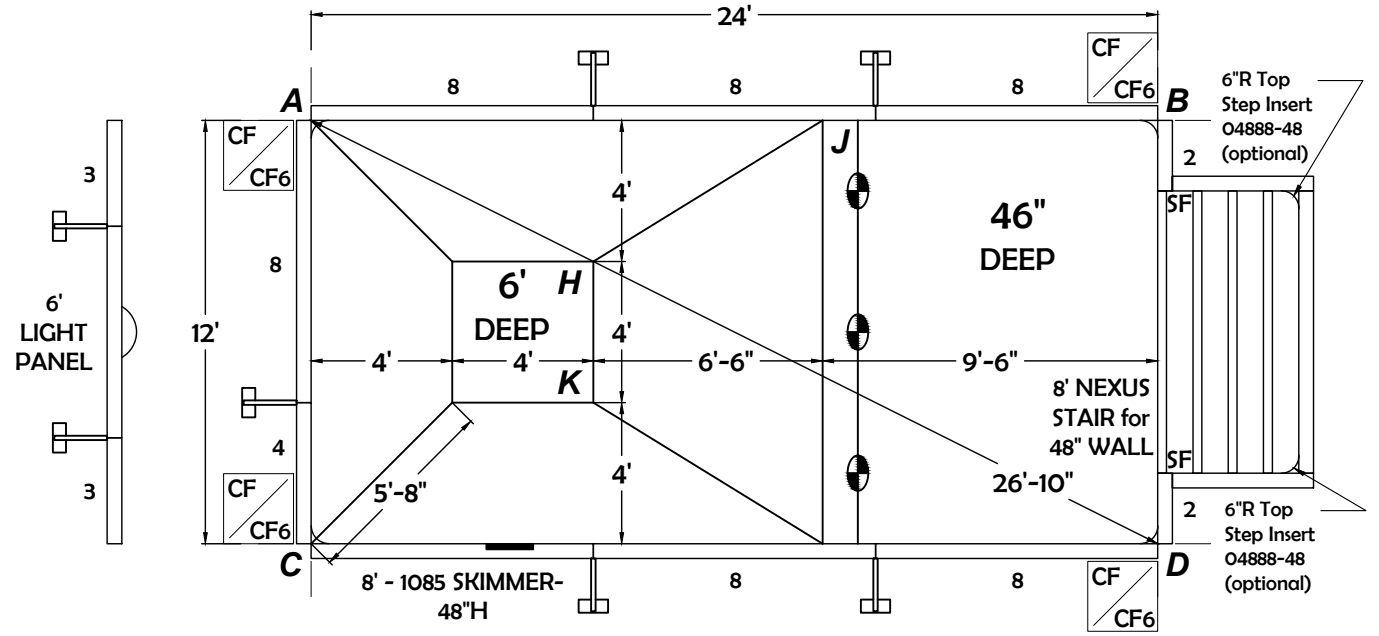


**NO DIVING PERMITTED INTO THIS POOL**

The bottom configuration shown conforms with the current ISPSC & ANSI / APSP / ICC suggested minimum standards for pools NOT approved for diving.

**WARNING:** Swimming pools can be dangerous if used improperly. Consult your dealer for information on safe use. It's the responsibility of town officials, builders and homeowners to follow safety recommendations of APSP/ANSI, local ordinances & equipment manufacturers.

- All work not specifically shown here is to be done in accordance with the requirements of the 2024 INTERNATIONAL SWIMMING POOL & SPA CODE, APSP/ANSI/ICC-5 2011 STANDARDS FOR RESIDENTIAL INGROUND SWIMMING POOLS, and all other local building codes.
- Construction Drawing: Different methods and precautions may be dictated by various ground conditions. This is to be determined by and is the responsibility of the contractor who is not an agent of the manufacturer of the component parts.
- Depth and shape of the pool meet minimum standards of the 2024 INTERNATIONAL SWIMMING POOL & SPA CODE and the APSP/ANSI/ICC-5 2011 STANDARDS FOR RESIDENTIAL INGROUND SWIMMING POOLS.
- A means of entry & exit for the deep end & shallow end of the pool must be provided in accordance with 2024 INTERNATIONAL SWIMMING POOL & SPA CODE, section 809.
- Equipotential bonding must be provided in accordance with the NATIONAL ELECTRIC CODE, NFPA 70.
- All A-frame braces are to be contained within an 8" thick continuous poured concrete (2500 psi) perimeter collar.
- Backfill with clean earth, free of roots and debris.
- Finished bottom is to be 2" minimum of suitable material or undisturbed earth.
- 3' wide, 3" thick concrete deck is to be poured at a slope of 1/4" to 1' away from the pool.
- NO DIVING labels are to be installed around the perimeter of the pool.
- A safety line, with buoys, is to be permanently attached 1'0" to the shallow side of the point of first slope change.
- Suction entrapment avoidance to be installed in accordance with APSP/ANSI/ICC-7
- Pool Coping/Deck is within 12" of the designated waterline, this satisfies requirement for handholds per ISPSC 2024 SECTION 323.1.



FROM A TO:	FROM B TO:	FROM C TO:	FROM D TO:
D 26'-10"	C 26'-10"	B 26'-10"	A 26'-10"
H 8'-11 1/4"	H 16'-6"	H 11'-3 3/4"	H 17'-10 3/4"
J 14'-6"	J 9'-6"	J 18'-9 3/4"	J 15'-3 3/4"
K 11'-3 3/4"	K 17'-10 3/4"	K 8'-11 1/4"	K 16'-6"
L 18'-9 3/4"	L 15'-3 3/4"	L 14'-6"	L 9'-6"

SF--RECTANGLE STAIR FILLER (O4206UH48 / O4207UH48)  
 CF6--6" RADIUS CORNER FILLER (O421148 x2)  
 CF--90° CORNER FILLER (O521648)

Corner Type	90° <input type="checkbox"/> 6"R <input type="checkbox"/>	<b>INSTALLATION NOTE:</b> Substitute (1) - 90° Corner Fillers (#0521648) in place of (2) 6"R Corner Fillers for 90° corner pool option. See page A1 Steel Corner Filler specifications  Installer <b>MUST</b> specify what type of corners (90° OR 6"R) are desired when ordering both the pool and liner.
Dealer:		
Job Name:		



# STEEL 48" WALL PANELS

## 12' x 24' 90° OR 6"R CORNER RECTANGLE (3 CORNER LEFT)

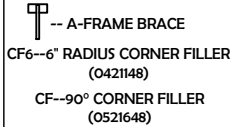
### BILL OF MATERIALS

QUANTITY	DESCRIPTION	Item #
0	3' PLAIN PANEL - 48"	O411348
2	4' PLAIN PANEL - 48"	O411048
1	5" STEEL & NEXUS STAIR FILLER - 48"	O421048
0	6' LIGHT PANEL - 48"	O5112L48
1	8' NEXUS STEEL STAIR FOR 48" WALL COMPLETE W/ BEAD & HARDWARE	O4188BNS48
6	8' PLAIN PANEL	O510248
1	8' SKIMMER PANEL- 1085 - 48"	O510448
2	8' RETURN PANEL - 48"	O510848
1	90° RECT. STAIR FILLER LEFT- 48"	O4206UH48
3	90° FILLER - 48" (OPTIONAL)	O521648
6	A-FRAME	VARIES
6	DIAG. 6" RADIUS CORNER FILLER (2 REQ. PER CORNER) - 48"	O421148
2	75 PACK HEX BOLT AND WASHER	PAK75
0	100 PACK HEX BOLT AND WASHER	PAK100

**ALL DIMENSIONS ARE FINISH DIMENSIONS**

\*\* see page Appendix for all stair specifications

\*\* see page A1 Steel Corner Filler specifications

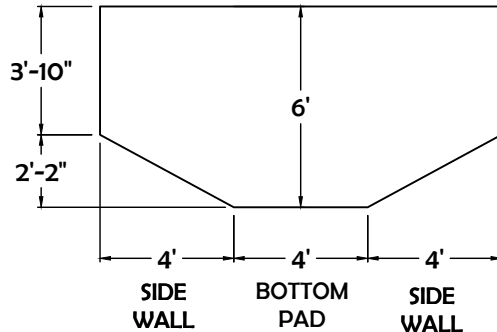
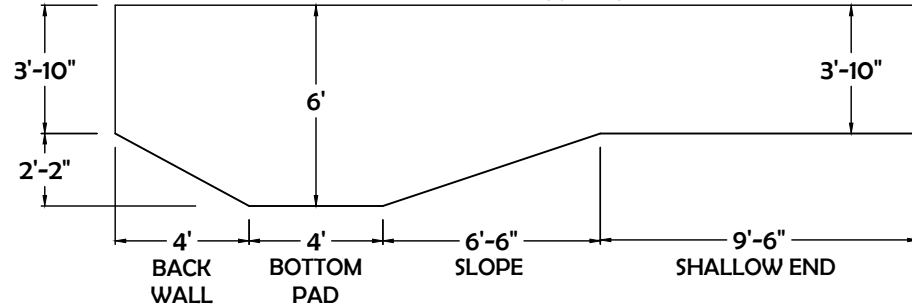
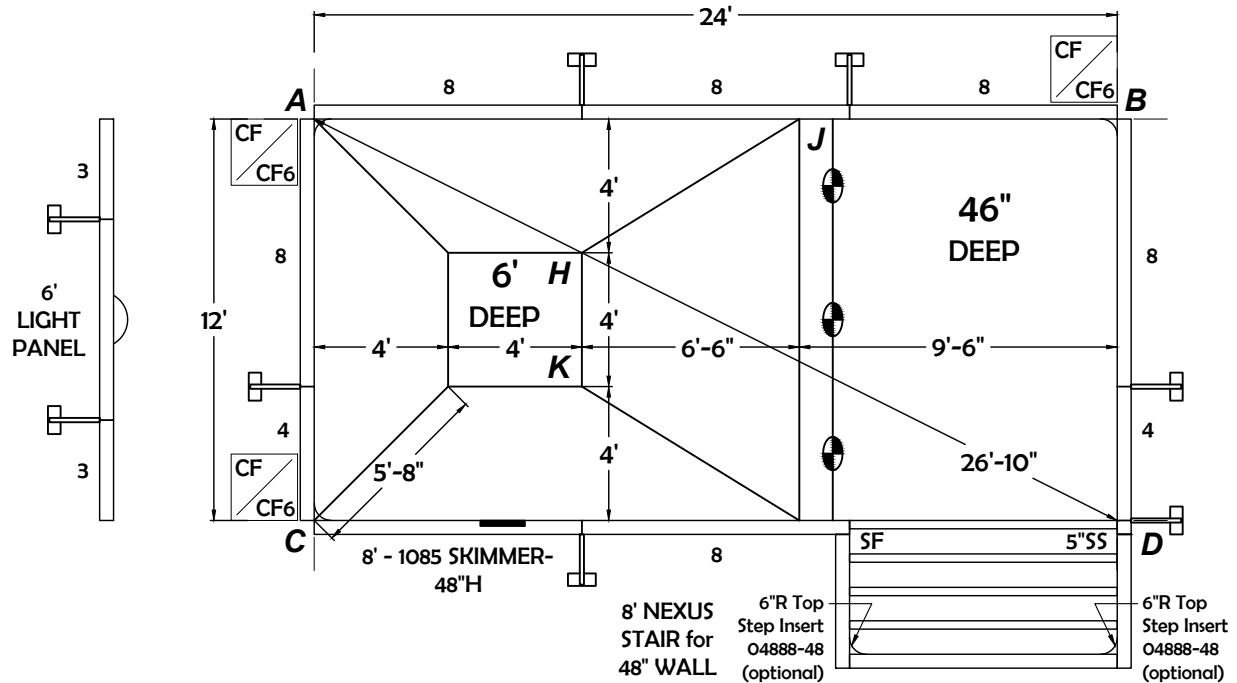


### NO DIVING PERMITTED INTO THIS POOL

The bottom configuration shown conforms with the current ISPSC & ANSI / APSP / ICC suggested minimum standards for pools NOT approved for diving.

**WARNING:** Swimming pools can be dangerous if used improperly. Consult your dealer for information on safe use. It's the responsibility of town officials, builders and homeowners to follow safety recommendations of APSP/ANSI, local ordinances & equipment manufacturers.

- All work not specifically shown here is to be done in accordance with the requirements of the 2024 INTERNATIONAL SWIMMING POOL & SPA CODE, APSP/ANSI/ICC-5 2011 STANDARDS FOR RESIDENTIAL INGROUND SWIMMING POOLS, and all other local building codes.
- Construction Drawing: Different methods and precautions may be dictated by various ground conditions. This is to be determined by and is the responsibility of the contractor who is not an agent of the manufacturer of the component parts.
- Depth and shape of the pool meet minimum standards of the 2024 INTERNATIONAL SWIMMING POOL & SPA CODE and the APSP/ANSI/ICC-5 2011 STANDARDS FOR RESIDENTIAL INGROUND SWIMMING POOLS.
- A means of entry & exit for the deep end & shallow end of the pool must be provided in accordance with 2024 INTERNATIONAL SWIMMING POOL & SPA CODE, section 809.
- Equipotential bonding must be provided in accordance with the NATIONAL ELECTRIC CODE, NFPA 70.
- All A-frame braces are to be contained within an 8" thick continuous poured concrete (2500 psi) perimeter collar.
- Backfill with clean earth, free of roots and debris.
- Finished bottom is to be 2" minimum of suitable material or undisturbed earth.
- 3' wide, 3" thick concrete deck is to be poured at a slope of 1/4" to 1' away from the pool.
- NO DIVING labels are to be installed around the perimeter of the pool.
- A safety line, with buoys, is to be permanently attached 1'0" to the shallow side of the point of first slope change.
- Suction entrapment avoidance to be installed in accordance with APSP/ANSI/ICC-7
- Pool Coping/Deck is within 12" of the designated waterline, this satisfies requirement for handholds per ISPSC 2024 SECTION 323.1.



FROM A TO:	FROM B TO:	FROM C TO:	FROM D TO:
D 26'-10"	C 26'-10"	B 26'-10"	A 26'-10"
H 8'-11 1/4"	H 16'-6"	H 11'-3 3/4"	H 17'-10 3/4"
J 14'-6"	J 9'-6"	J 18'-9 3/4"	J 15'-3 3/4"
K 11'-3 3/4"	K 17'-10 3/4"	K 8'-11 1/4"	K 16'-6"
L 18'-9 3/4"	L 15'-3 3/4"	L 14'-6"	L 9'-6"

SF--RECTANGLE STAIR FILLER (O4206UH48 / O4207UH48)  
 5"SS--5" STEEL & NEXUS STAIR FILLER (O412048)  
 CF6--6" RADIUS CORNER FILLER (O421148 x2)  
 CF--90° CORNER FILLER (O521648)

Customer Signature:	Date:	Corner Type: <input type="checkbox"/> 90° <input type="checkbox"/> 6"R	<b>INSTALLATION NOTE:</b> Substitute (1) - 90° Corner Fillers (#0521648) in place of (2) 6"R Corner Fillers for 90° corner pool option. See page A1 Steel Corner Filler specifications  Installer <b>MUST</b> specify what type of corners (90° OR 6"R) are desired when ordering both the pool and liner.
		Dealer:	
		Job Name:	

# STEEL 48" WALL PANELS

## 12' x 24' 90° OR 6"R CORNER RECTANGLE

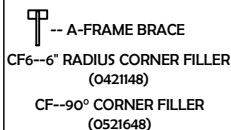
### BILL OF MATERIALS

QUANTITY	DESCRIPTION	Item #
1	12' NEXUS STAIR for 48" WALL	04516BNS48
0	3' PLAIN PANEL - 48"	0411348
3	4' PLAIN PANEL - 48"	0411048
0	6' LIGHT PANEL - 48"	05112L48
2	8' PLAIN PANEL	0510248
1	8' SKIMMER PANEL - 1085 - 48"	0510448
2	8' RETURN PANEL - 48"	0510848
2	90° FILLER - 48" (OPTIONAL)	0521648
8	A-FRAME	VARIES
4	DIAG. 6" RADIUS CORNER FILLER (2 REQ. PER CORNER) - 48"	0421148
2	75 PACK HEX BOLT AND WASHER	PAK75
0	100 PACK HEX BOLT AND WASHER	PAK100

**ALL DIMENSIONS ARE FINISH DIMENSIONS**

\*\* see page Appendix for all stair specifications

\*\* see page A1 Steel Corner Filler specifications

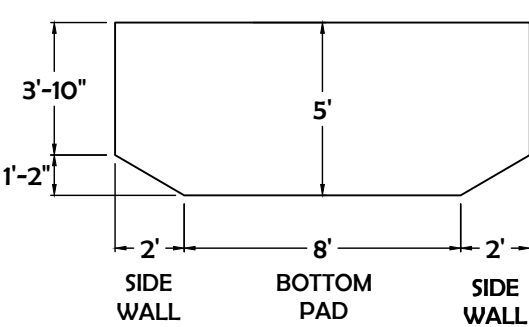
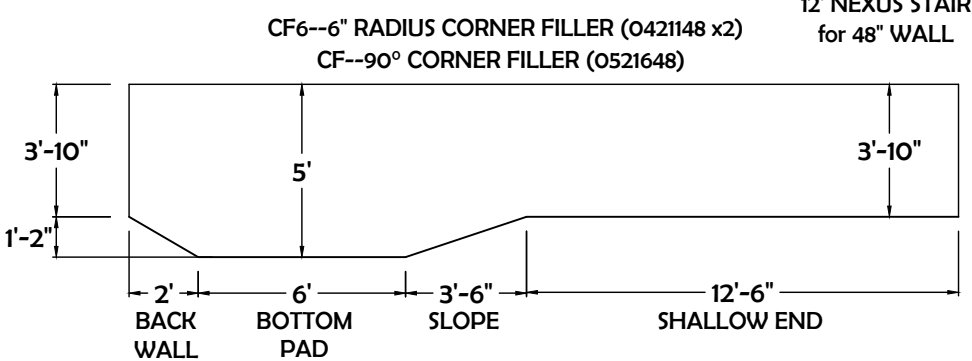
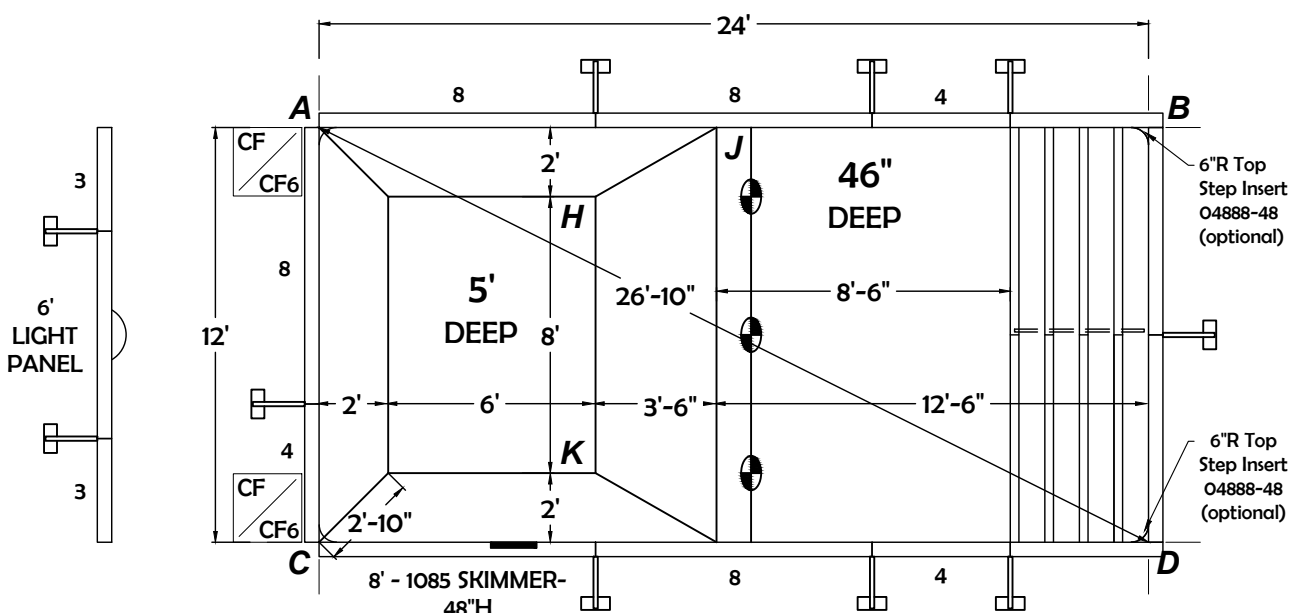


### NO DIVING PERMITTED INTO THIS POOL

The bottom configuration shown conforms with the current ISPSC & ANSI / APSP / ICC suggested minimum standards for pools NOT approved for diving.

**WARNING:** Swimming pools can be dangerous if used improperly. Consult your dealer for information on safe use. It's the responsibility of town officials, builders and homeowners to follow safety recommendations of APSP/ANSI, local ordinances & equipment manufacturers.

- All work not specifically shown here is to be done in accordance with the requirements of the 2024 INTERNATIONAL SWIMMING POOL & SPA CODE, APSP/ANSI/ICC-5 2011 STANDARDS FOR RESIDENTIAL INGROUND SWIMMING POOLS, and all other local building codes.
- Construction Drawing: Different methods and precautions may be dictated by various ground conditions. This is to be determined by and is the responsibility of the contractor who is not an agent of the manufacturer of the component parts.
- Depth and shape of the pool meet minimum standards of the 2024 INTERNATIONAL SWIMMING POOL & SPA CODE and the APSP/ANSI/ICC-5 2011 STANDARDS FOR RESIDENTIAL INGROUND SWIMMING POOLS.
- A means of entry & exit for the deep end & shallow end of the pool must be provided in accordance with 2024 INTERNATIONAL SWIMMING POOL & SPA CODE, section 809.
- Equipotential bonding must be provided in accordance with the NATIONAL ELECTRIC CODE, NFPA 70.
- All A-frame braces are to be contained within an 8" thick continuous poured concrete (2500 psi) perimeter collar.
- Backfill with clean earth, free of roots and debris.
- Finished bottom is to be 2" minimum of suitable material or undisturbed earth.
- 3' wide, 3" thick concrete deck is to be poured at a slope of 1/4" to 1' away from the pool.
- NO DIVING labels are to be installed around the perimeter of the pool.
- A safety line, with buoys, is to be permanently attached 10' to the shallow side of the point of first slope change.
- Suction entrapment avoidance to be installed in accordance with APSP/ANSI/ICC-7
- Pool Coping/Deck is within 12" of the designated waterline, this satisfies requirement for handholds per ISPSC 2024 SECTION 323.1.



FROM A TO:		FROM B TO:		FROM C TO:		FROM D TO:	
D	26'-10"	C	26'-10"	B	26'-10"	A	26'-10"
H	8'-3"	H	16'-1 1/2"	H	12'-9 3/4"	H	18'-10 1/2"
J	11'-6"	J	12'-6"	J	16'-7 1/2"	J	17'-4"
K	12'-9 3/4"	K	18'-10 1/2"	K	8'-3"	K	16'-1 1/2"
L	16'-7 1/2"	L	17'-4"	L	11'-6"	L	12'-6"

Customer Signature: \_\_\_\_\_ Date: \_\_\_\_\_

Corner Type:  90°  6"R

Dealer: \_\_\_\_\_

Job Name: \_\_\_\_\_

**INSTALLATION NOTE:**  
 Substitute (1) - 90° Corner Fillers (#0521648) in place of (2) 6"R Corner Fillers for 90° corner pool option.  
 See page A1 Steel Corner Filler specifications  
 Installer **MUST** specify what type of corners (90° OR 6"R) are desired when ordering both the pool and liner.



# STEEL 48" WALL PANELS

## 12' x 24' 90° OR 6"R CORNER RECTANGLE

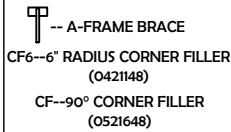
### BILL OF MATERIALS

QUANTITY	DESCRIPTION	Item #
1	12' NEXUS STAIR w/ SD for 48" WALL	O4V51290-24B48
0	3' PLAIN PANEL - 48"	O411348
3	4' PLAIN PANEL - 48"	O411048
0	6' LIGHT PANEL - 48"	O5112L48
2	8' PLAIN PANEL	O510248
1	8' SKIMMER PANEL - 1085 - 48"	O510448
2	8' RETURN PANEL - 48"	O510848
2	90° FILLER - 48" (OPTIONAL)	O521648
10	A-FRAME	VARIES
4	DIAG. 6" RADIUS CORNER FILLER (2 REQ. PER CORNER) - 48"	O421148
2	75 PACK HEX BOLT AND WASHER	PAK75
0	100 PACK HEX BOLT AND WASHER	PAK100

**ALL DIMENSIONS ARE FINISH DIMENSIONS**

\*\* see page Appendix for all stair specifications

\*\* see page A1 Steel Corner Filler specifications

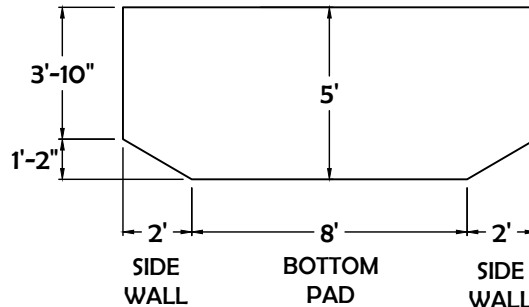
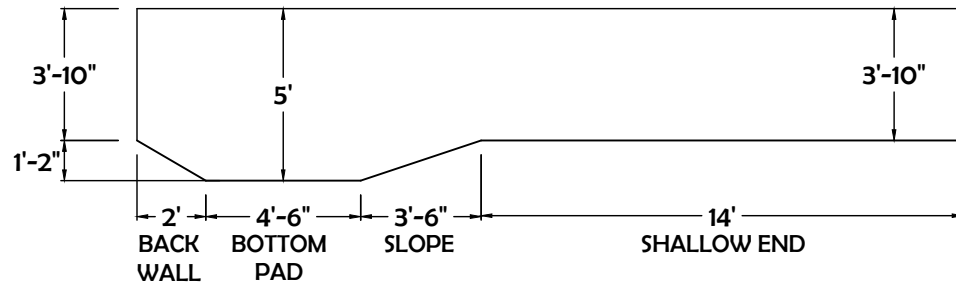
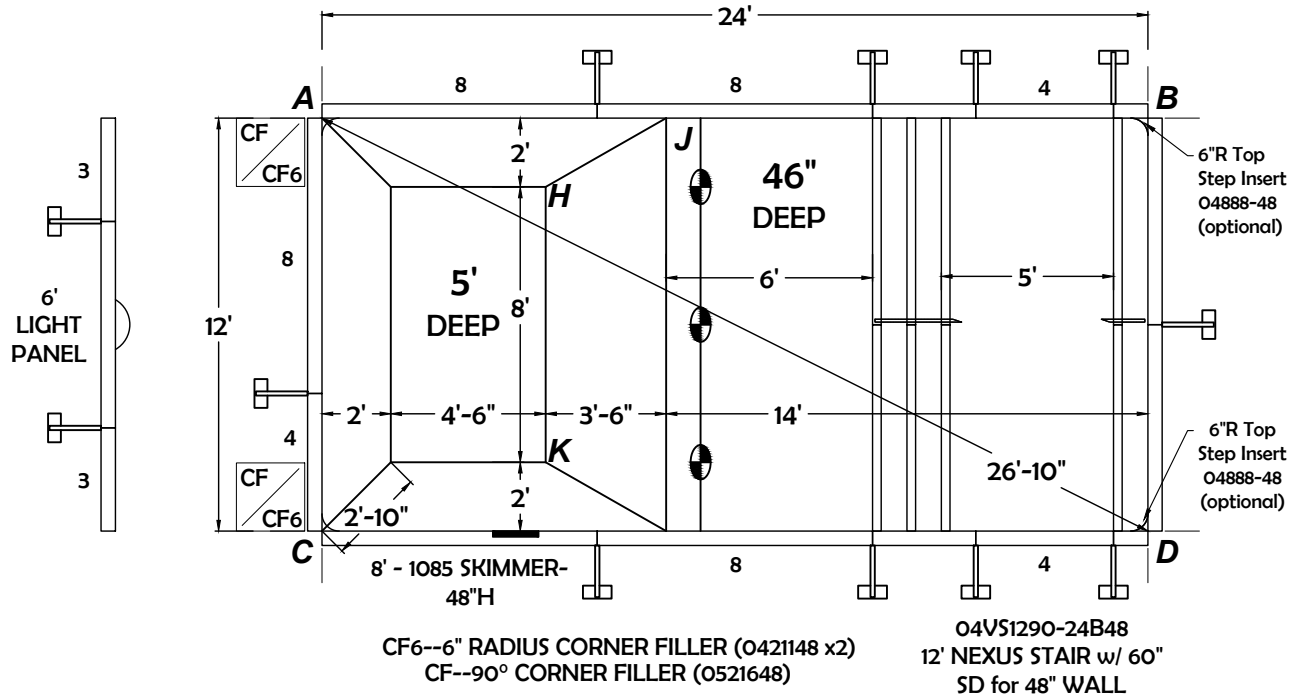


### NO DIVING PERMITTED INTO THIS POOL

The bottom configuration shown conforms with the current ISPSC & ANSI / APSP / ICC suggested minimum standards for pools NOT approved for diving.

**WARNING:** Swimming pools can be dangerous if used improperly. Consult your dealer for information on safe use. It's the responsibility of town officials, builders and homeowners to follow safety recommendations of APSP/ANSI, local ordinances & equipment manufacturers.

- All work not specifically shown here is to be done in accordance with the requirements of the 2024 INTERNATIONAL SWIMMING POOL & SPA CODE, APSP/ANSI/ICC-5 2011 STANDARDS FOR RESIDENTIAL INGROUND SWIMMING POOLS, and all other local building codes.
- Construction Drawing: Different methods and precautions may be dictated by various ground conditions. This is to be determined by and is the responsibility of the contractor who is not an agent of the manufacturer of the component parts.
- Depth and shape of the pool meet minimum standards of the 2024 INTERNATIONAL SWIMMING POOL & SPA CODE and the APSP/ANSI/ICC-5 2011 STANDARDS FOR RESIDENTIAL INGROUND SWIMMING POOLS.
- A means of entry & exit for the deep end & shallow end of the pool must be provided in accordance with 2024 INTERNATIONAL SWIMMING POOL & SPA CODE, section 809.
- Equipotential bonding must be provided in accordance with the NATIONAL ELECTRIC CODE, NFPA 70.
- All A-frame braces are to be contained within an 8" thick continuous poured concrete (2500 psi) perimeter collar.
- Backfill with clean earth, free of roots and debris.
- Finished bottom is to be 2" minimum of suitable material or undisturbed earth.
- 3' wide, 3" thick concrete deck is to be poured at a slope of 1/4" to 1' away from the pool.
- NO DIVING labels are to be installed around the perimeter of the pool.
- A safety line, with buoys, is to be permanently attached 10' to the shallow side of the point of first slope change.
- Suction entrapment avoidance to be installed in accordance with APSP/ANSI/ICC-7
- Pool Coping/Deck is within 12" of the designated waterline, this satisfies requirement for handholds per ISPSC 2024 SECTION 323.1.



FROM A TO:	FROM B TO:	FROM C TO:	FROM D TO:
D 26'-10"	C 26'-10"	B 26'-10"	A 26'-10"
H 6'-9 1/2"	H 17'-7 1/4"	H 11'-11"	H 20'-1 3/4"
J 10'	J 14'	J 15'-7 1/2"	J 18'-5 1/4"
K 11'-11"	K 20'-1 3/4"	K 6'-9 1/2"	K 17'-7 1/4"
L 15'-7 1/2"	L 18'-5 1/4"	L 10'	L 14'

Customer Signature:

Date:

Corner Type: 90°  6"R

Dealer: \_\_\_\_\_

Job Name: \_\_\_\_\_

**INSTALLATION NOTE:**  
 Substitute (1) - 90° Corner Fillers (#0521648) in place of (2) 6"R Corner Fillers for 90° corner pool option.  
 See page A1 Steel Corner Filler specifications  
 Installer **MUST** specify what type of corners (90° OR 6"R) are desired when ordering both the pool and liner.



# STEEL 48" WALL PANELS

## 14' x 28' 90° OR 6"R CORNER RECTANGLE

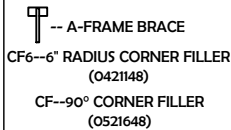
### BILL OF MATERIALS

QUANTITY	DESCRIPTION	Item #
2	3' PLAIN PANEL - 48"	O411348
2	4' PLAIN PANEL - 48"	O411048
0	6' LIGHT PANEL - 48"	O5112L48
1	6' PLAIN PANEL - 48"	O511248
4	8' PLAIN PANEL	O510248
1	8' NEXUS STEEL STAIR FOR 48" WALL COMPLETE W/ BEAD & HARDWARE	O4188BNS48
1	8' SKIMMER PANEL - 1085 - 48"	O510448
2	8' RETURN PANEL - 48"	O510848
1	90° RECT. STAIR FILLER LEFT - 48"	O4206UH48
1	90° RECT. STAIR FILLER RIGHT - 48"	O4207UH48
4	90° FILLER - 48" (OPTIONAL)	O521648
7	A-FRAME	VARIES
8	DIAG. 6" RADIUS CORNER FILLER (2 REQ. PER CORNER) - 48"	O421148
2	75 PACK HEX BOLT AND WASHER	PAK75
0	100 PACK HEX BOLT AND WASHER	PAK100

**ALL DIMENSIONS ARE FINISH DIMENSIONS**

\*\* see page Appendix for all stair specifications

\*\* see page A1 Steel Corner Filler specifications

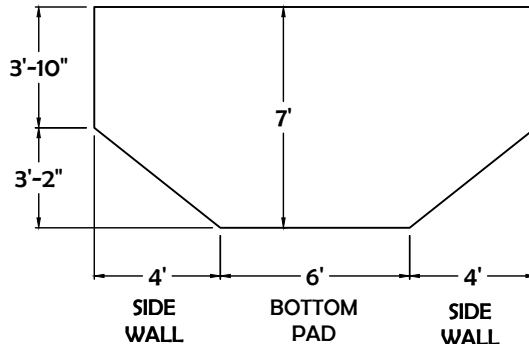
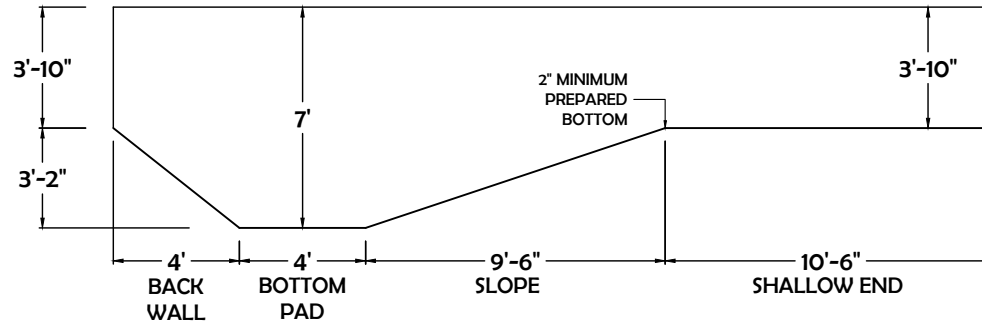
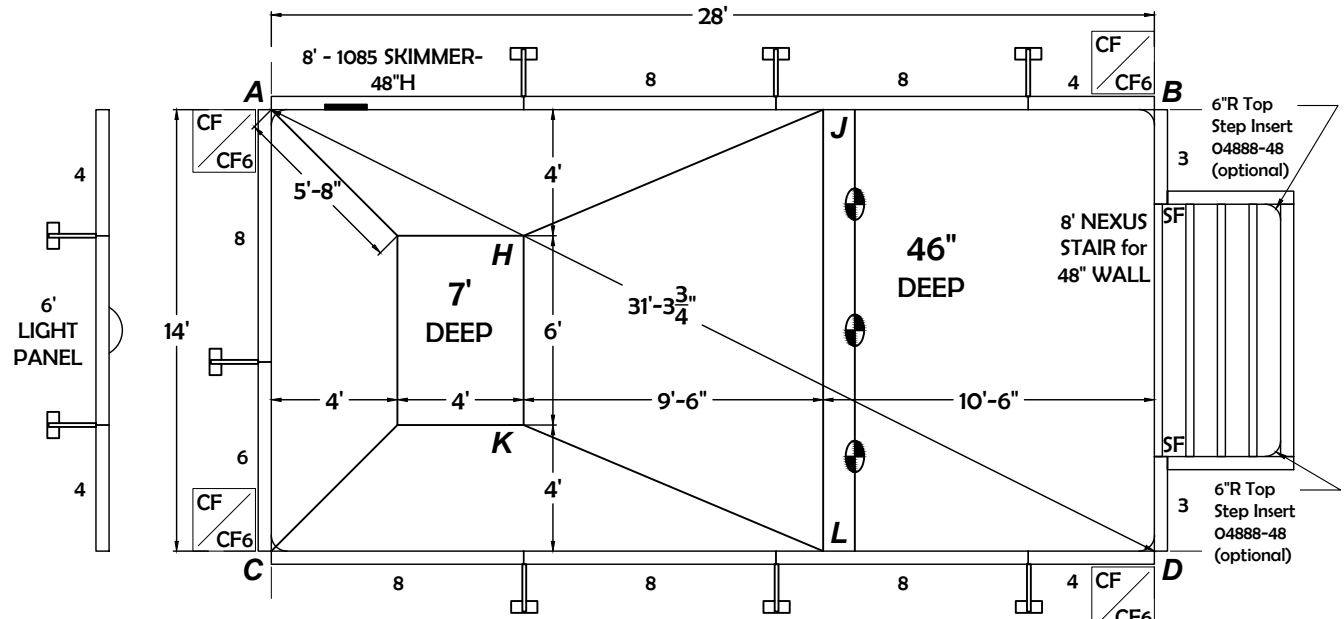


### NO DIVING PERMITTED INTO THIS POOL

The bottom configuration shown conforms with the current ISPSC & ANSI / APSP / ICC suggested minimum standards for pools NOT approved for diving.

**WARNING:** Swimming pools can be dangerous if used improperly. Consult your dealer for information on safe use. It's the responsibility of town officials, builders and homeowners to follow safety recommendations of APSP/ANSI, local ordinances & equipment manufacturers.

- All work not specifically shown here is to be done in accordance with the requirements of the 2024 INTERNATIONAL SWIMMING POOL & SPA CODE, APSP/ANSI/ICC-5 2011 STANDARDS FOR RESIDENTIAL INGROUND SWIMMING POOLS, and all other local building codes.
- Construction Drawing: Different methods and precautions may be dictated by various ground conditions. This is to be determined by and is the responsibility of the contractor who is not an agent of the manufacturer of the component parts.
- Depth and shape of the pool meet minimum standards of the 2024 INTERNATIONAL SWIMMING POOL & SPA CODE and the APSP/ANSI/ICC-5 2011 STANDARDS FOR RESIDENTIAL INGROUND SWIMMING POOLS.
- A means of entry & exit for the deep end & shallow end of the pool must be provided in accordance with 2024 INTERNATIONAL SWIMMING POOL & SPA CODE, section 809.
- Equipotential bonding must be provided in accordance with the NATIONAL ELECTRIC CODE, NFPA 70.
- All A-frame braces are to be contained within an 8" thick continuous poured concrete (2500 psi) perimeter collar.
- Backfill with clean earth, free of roots and debris.
- Finished bottom is to be 2" minimum of suitable material or undisturbed earth.
- 3' wide, 3" thick concrete deck is to be poured at a slope of 1/4" to 1' away from the pool.
- NO DIVING labels are to be installed around the perimeter of the pool.
- A safety line, with buoys, is to be permanently attached 1'0" to the shallow side of the point of first slope change.
- Suction entrapment avoidance to be installed in accordance with APSP/ANSI/ICC-7
- Pool Coping/Deck is within 12" of the designated waterline, this satisfies requirement for handholds per ISPSC 2024 SECTION 323.1.



FROM A TO:	FROM B TO:	FROM C TO:	FROM D TO:
D 31'-3 3/4"	C 31'-3 3/4"	B 31'-3 3/4"	A 31'-3 3/4"
H 8'-11 1/4"	H 20'-4 3/4"	H 12'-9 3/4"	H 22'-4 1/4"
J 17'-6"	J 10'-6"	J 22'-5"	J 17'-6"
K 12'-9 3/4"	K 22'-4 1/4"	K 8'-11 1/4"	K 20'-4 3/4"
L 22'-5"	L 17'-6"	L 17'-6"	L 10'-6"

FS--RECTANGLE STAIR FILLER (O4206UH48 / O4207UH48)  
 CF6--6" RADIUS CORNER FILLER (O421148 x2)  
 CF--90° CORNER FILLER (O521648)

Customer Signature:	Date:	Corner Type	90° <input type="checkbox"/> 6"R <input type="checkbox"/>	<b>INSTALLATION NOTE:</b> Substitute (1) - 90° Corner Fillers (#0521648) in place of (2) 6"R Corner Fillers for 90° corner pool option. See page A1 Steel Corner Filler specifications  Installer <b>MUST</b> specify what type of corners (90° OR 6"R) are desired when ordering both the pool and liner.
		Dealer:		
		Job Name:		

# STEEL 48" WALL PANELS

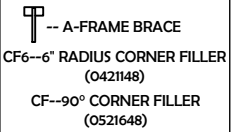
## 14' x 28' 90° OR 6"R CORNER RECTANGLE (3 CORNER RIGHT)

### BILL OF MATERIALS

QUANTITY	DESCRIPTION	Item #
2	4' PLAIN PANEL - 48"	0411048
1	5" STEEL & NEXUS STAIR FILLER - 48	0412048
0	6' LIGHT PANEL - 48"	05112L48
2	6' PLAIN PANEL - 48"	0511248
1	8' NEXUS STEEL STAIR FOR 48" WALL COMPLETE W/ BEAD & HARDWARE	04188BN548
4	8' PLAIN PANEL	0510248
1	8' SKIMMER PANEL - 1085 - 48"	0510448
2	8' RETURN PANEL - 48"	0510848
3	90° FILLER - 48" (OPTIONAL)	0521648
1	90° RECT. STAIR FILLER RIGHT - 48"	04207UH48
8	A-FRAME	VARIES
6	DIAG. 6" RADIUS CORNER FILLER (2 REQ. PER CORNER) - 48"	0421148
2	75 PACK HEX BOLT AND WASHER	PAK75
0	100 PACK HEX BOLT AND WASHER	PAK100

ALL DIMENSIONS ARE FINISH DIMENSIONS

\*\* see page Appendix for all stair specifications  
 \*\* see page A1 Steel Corner Filler specifications

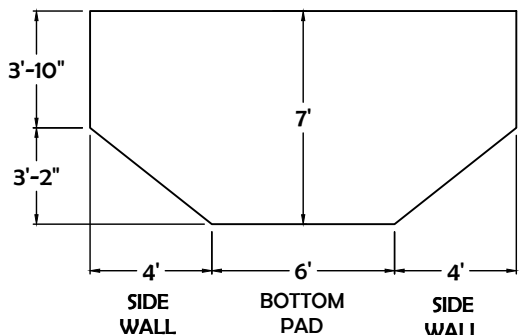
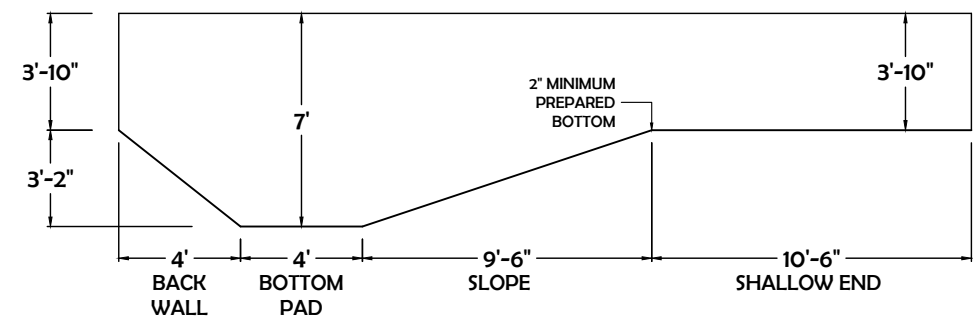
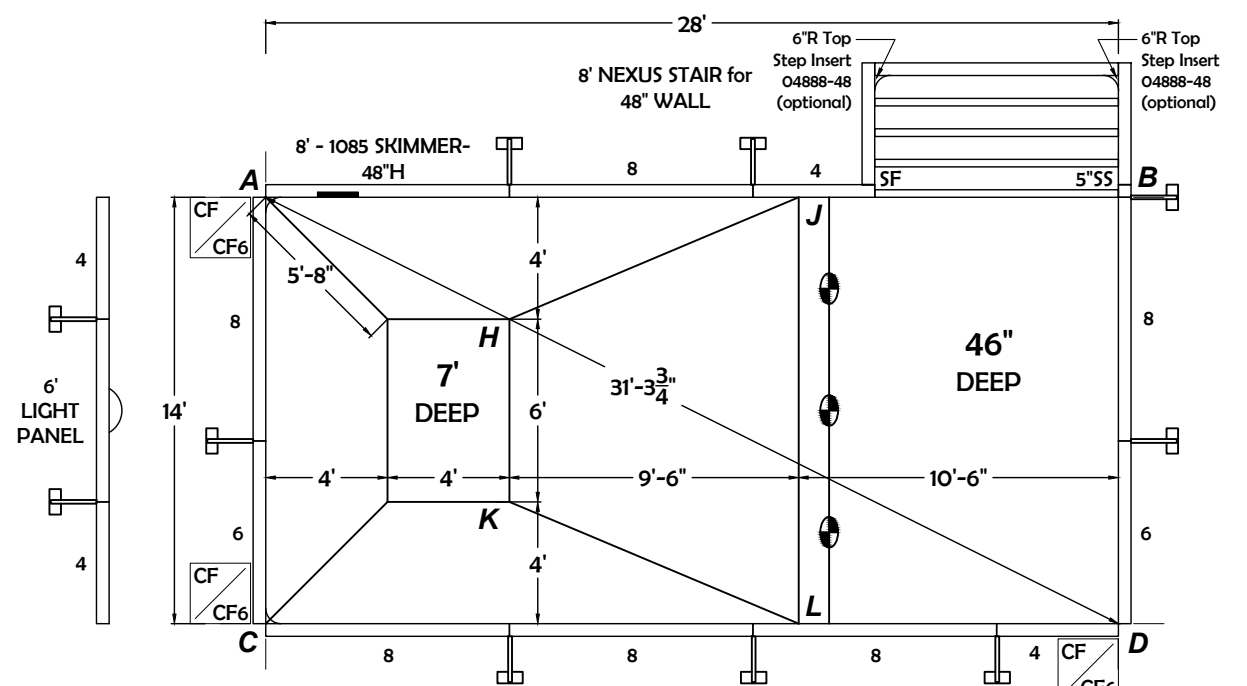


### NO DIVING PERMITTED INTO THIS POOL

The bottom configuration shown conforms with the current ISPSC & ANSI / APSP / ICC suggested minimum standards for pools NOT approved for diving.

**WARNING:** Swimming pools can be dangerous if used improperly. Consult your dealer for information on safe use. It's the responsibility of town officials, builders and homeowners to follow safety recommendations of APSP/ANSI, local ordinances & equipment manufacturers.

- All work not specifically shown here is to be done in accordance with the requirements of the 2024 INTERNATIONAL SWIMMING POOL & SPA CODE, APSP/ANSI/ICC-5 2011 STANDARDS FOR RESIDENTIAL INGROUND SWIMMING POOLS, and all other local building codes.
- Construction Drawing: Different methods and precautions may be dictated by various ground conditions. This is to be determined by and is the responsibility of the contractor who is not an agent of the manufacturer of the component parts.
- Depth and shape of the pool meet minimum standards of the 2024 INTERNATIONAL SWIMMING POOL & SPA CODE and the APSP/ANSI/ICC-5 2011 STANDARDS FOR RESIDENTIAL INGROUND SWIMMING POOLS.
- A means of entry & exit for the deep end & shallow end of the pool must be provided in accordance with 2024 INTERNATIONAL SWIMMING POOL & SPA CODE, section 809.
- Equipotential bonding must be provided in accordance with the NATIONAL ELECTRIC CODE, NFPA 70.
- All A-frame braces are to be contained within an 8" thick continuous poured concrete (2500 psi) perimeter collar.
- Backfill with clean earth, free of roots and debris.
- Finished bottom is to be 2" minimum of suitable material or undisturbed earth.
- 3' wide, 3" thick concrete deck is to be poured at a slope of 1/4" to 1' away from the pool.
- NO DIVING labels are to be installed around the perimeter of the pool.
- A safety line, with buoys, is to be permanently attached 1'0" to the shallow side of the point of first slope change.
- Suction entrapment avoidance to be installed in accordance with APSP/ANSI/ICC-7
- Pool Coping/Deck is within 12" of the designated waterline, this satisfies requirement for handholds per ISPSC 2024 SECTION 323.1.



FROM A TO:	FROM B TO:	FROM C TO:	FROM D TO:
D 31'-3 3/4"	C 31'-3 3/4"	B 31'-3 3/4"	A 31'-3 3/4"
H 8'-11 1/4"	H 20'-4 3/4"	H 12'-9 3/4"	H 22'-4 1/4"
J 17'-6"	J 10'-6"	J 22'-5"	J 17'-6"
K 12'-9 3/4"	K 22'-4 1/4"	K 8'-11 1/4"	K 20'-4 3/4"
L 22'-5"	L 17'-6"	L 17'-6"	L 10'-6"

SF--RECTANGLE STAIR FILLER (04206UH48 / 04207UH48)  
 5"SS--5" STEEL & NEXUS STAIR FILLER (0412048)  
 CF6--6" RADIUS CORNER FILLER (0421148 x2)  
 CF--90° CORNER FILLER (0521648)

Customer Signature:

Date:

Corner Type: 90°  6"R

Dealer:

Job Name:

**INSTALLATION NOTE:**  
 Substitute (1) - 90° Corner Fillers (#0521648) in place of (2) 6"R Corner Fillers for 90° corner pool option. See page A1 Steel Corner Filler specifications  
 Installer MUST specify what type of corners (90° OR 6"R) are desired when ordering both the pool and liner.

# STEEL 48" WALL PANELS

## 14' x 28' 90° OR 6"R CORNER RECTANGLE (3 CORNER LEFT)

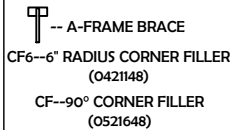
### BILL OF MATERIALS

QUANTITY	DESCRIPTION	Item #
2	4' PLAIN PANEL - 48"	0411048
1	5" STEEL & NEXUS STAIR FILLER - 48	0412048
0	6' LIGHT PANEL - 48"	05112L48
2	6' PLAIN PANEL - 48"	0511248
1	8' NEXUS STEEL STAIR FOR 48" WALL COMPLETE W/ BEAD & HARDWARE	04188BNS48
4	8' PLAIN PANEL	0510248
1	8' SKIMMER PANEL- 1085 - 48"	0510448
2	8' RETURN PANEL - 48"	0510848
1	90° RECT. STAIR FILLER LEFT- 48"	04206UH48
3	90° FILLER - 48" (OPTIONAL)	0521648
8	A-FRAME	VARIES
6	DIAG. 6" RADIUS CORNER FILLER (2 REQ. PER CORNER) - 48"	0421148
2	75 PACK HEX BOLT AND WASHER	PAK75
0	100 PACK HEX BOLT AND WASHER	PAK100

**ALL DIMENSIONS ARE FINISH DIMENSIONS**

\*\* see page Appendix for all stair specifications

\*\* see page A1 Steel Corner Filler specifications

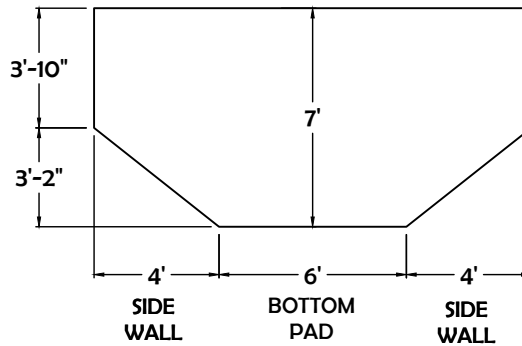
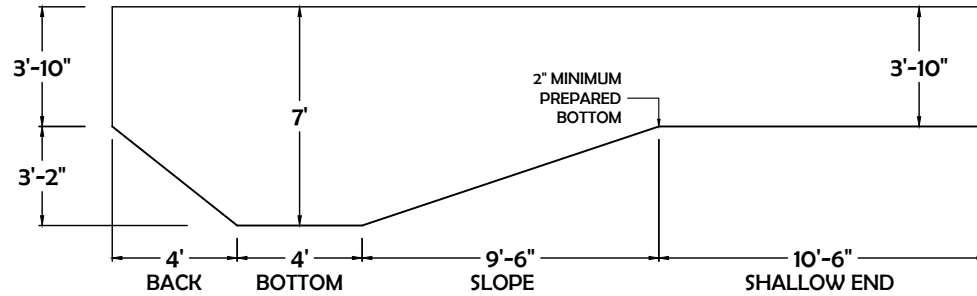
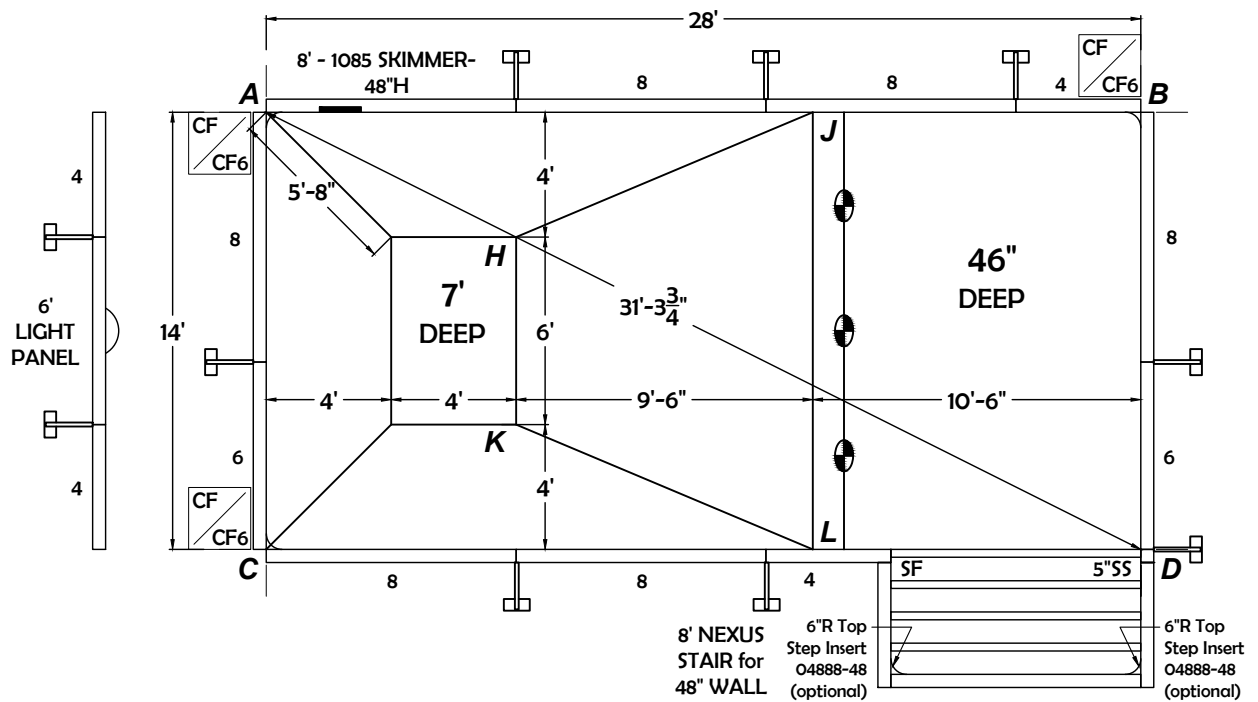


### NO DIVING PERMITTED INTO THIS POOL

The bottom configuration shown conforms with the current ISPSC & ANSI / APSP / ICC suggested minimum standards for pools NOT approved for diving.

**WARNING:** Swimming pools can be dangerous if used improperly. Consult your dealer for information on safe use. It's the responsibility of town officials, builders and homeowners to follow safety recommendations of APSP/ANSI, local ordinances & equipment manufacturers.

- All work not specifically shown here is to be done in accordance with the requirements of the 2024 INTERNATIONAL SWIMMING POOL & SPA CODE, APSP/ANSI/ICC-5 2011 STANDARDS FOR RESIDENTIAL INGROUND SWIMMING POOLS, and all other local building codes.
- Construction Drawing: Different methods and precautions may be dictated by various ground conditions. This is to be determined by and is the responsibility of the contractor who is not an agent of the manufacturer of the component parts.
- Depth and shape of the pool meet minimum standards of the 2024 INTERNATIONAL SWIMMING POOL & SPA CODE and the APSP/ANSI/ICC-5 2011 STANDARDS FOR RESIDENTIAL INGROUND SWIMMING POOLS.
- A means of entry & exit for the deep end & shallow end of the pool must be provided in accordance with 2024 INTERNATIONAL SWIMMING POOL & SPA CODE, section 809.
- Equipotential bonding must be provided in accordance with the NATIONAL ELECTRIC CODE, NFPA 70.
- All A-frame braces are to be contained within an 8" thick continuous poured concrete (2500 psi) perimeter collar.
- Backfill with clean earth, free of roots and debris.
- Finished bottom is to be 2" minimum of suitable material or undisturbed earth.
- 3' wide, 3" thick concrete deck is to be poured at a slope of 1/4" to 1' away from the pool.
- NO DIVING labels are to be installed around the perimeter of the pool.
- A safety line, with buoys, is to be permanently attached 10' to the shallow side of the point of first slope change.
- Suction entrapment avoidance to be installed in accordance with APSP/ANSI/ICC-7
- Pool Coping/Deck is within 12" of the designated waterline, this satisfies requirement for handholds per ISPSC 2024 SECTION 323.1.



FROM A TO:		FROM B TO:		FROM C TO:		FROM D TO:	
D	31'-3 3/4"	C	31'-3 3/4"	B	31'-3 3/4"	A	31'-3 3/4"
H	8'-11 1/4"	H	20'-4 3/4"	H	12'-9 3/4"	H	22'-4 1/4"
J	17'-6"	J	10'-6"	J	22'-5"	J	17'-6"
K	12'-9 3/4"	K	22'-4 1/4"	K	8'-11 1/4"	K	20'-4 3/4"
L	22'-5"	L	17'-6"	L	17'-6"	L	10'-6"

FF--RECTANGLE STAIR FILLER (04206UH48 / 04207UH48)  
 5"SS--5" STEEL & NEXUS STAIR FILLER (0412048)  
 CF6--6" RADIUS CORNER FILLER (0421148 x2)  
 CF--90° CORNER FILLER (0521648)

Customer Signature: \_\_\_\_\_ Date: \_\_\_\_\_

Corner Type: 90°  6"R

Dealer: \_\_\_\_\_

Job Name: \_\_\_\_\_

**INSTALLATION NOTE:**  
 Substitute (1) - 90° Corner Fillers (#0521648) in place of (2) 6"R Corner Fillers for 90° corner pool option.  
 See page A1 Steel Corner Filler specifications  
 Installer **MUST** specify what type of corners (90° OR 6"R) are desired when ordering both the pool and liner.

# STEEL 48" WALL PANELS

## 14' x 28' 90° OR 6"R CORNER RECTANGLE

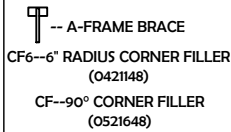
### BILL OF MATERIALS

QUANTITY	DESCRIPTION	Item #
1	14' NEXUS STAIR for 48" WALLS	O4514BNS48
0	4' PLAIN PANEL - 48"	O411048
0	6' LIGHT PANEL - 48"	O5112L48
1	6' PLAIN PANEL - 48"	O511248
4	8' PLAIN PANEL	O510248
1	8' SKIMMER PANEL - 1085 - 48"	510448
2	8' RETURN PANEL - 48"	O510848
2	90° FILLER - 48" (OPTIONAL)	O521648
8	A-FRAME	VARIES
2	DIAG. 6" RADIUS CORNER FILLER (2 REQ. PER CORNER) - 48"	O421148
2	75 PACK HEX BOLT AND WASHER	PAK75
0	100 PACK HEX BOLT AND WASHER	PAK100

**ALL DIMENSIONS ARE FINISH DIMENSIONS**

\*\* see page Appendix for all stair specifications

\*\* see page A1 Steel Corner Filler specifications

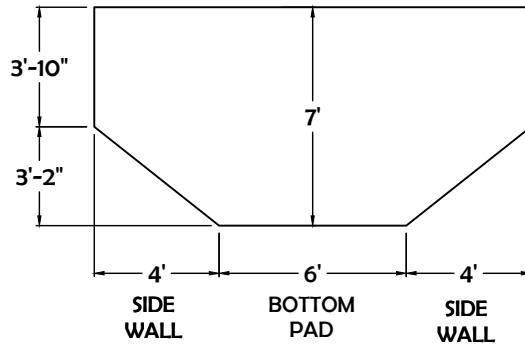
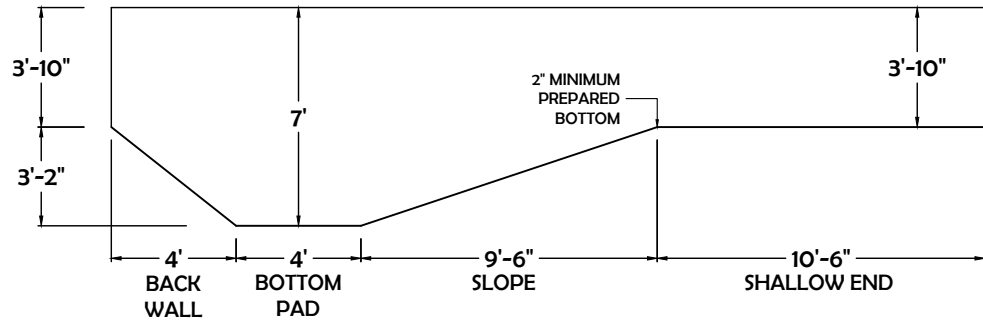
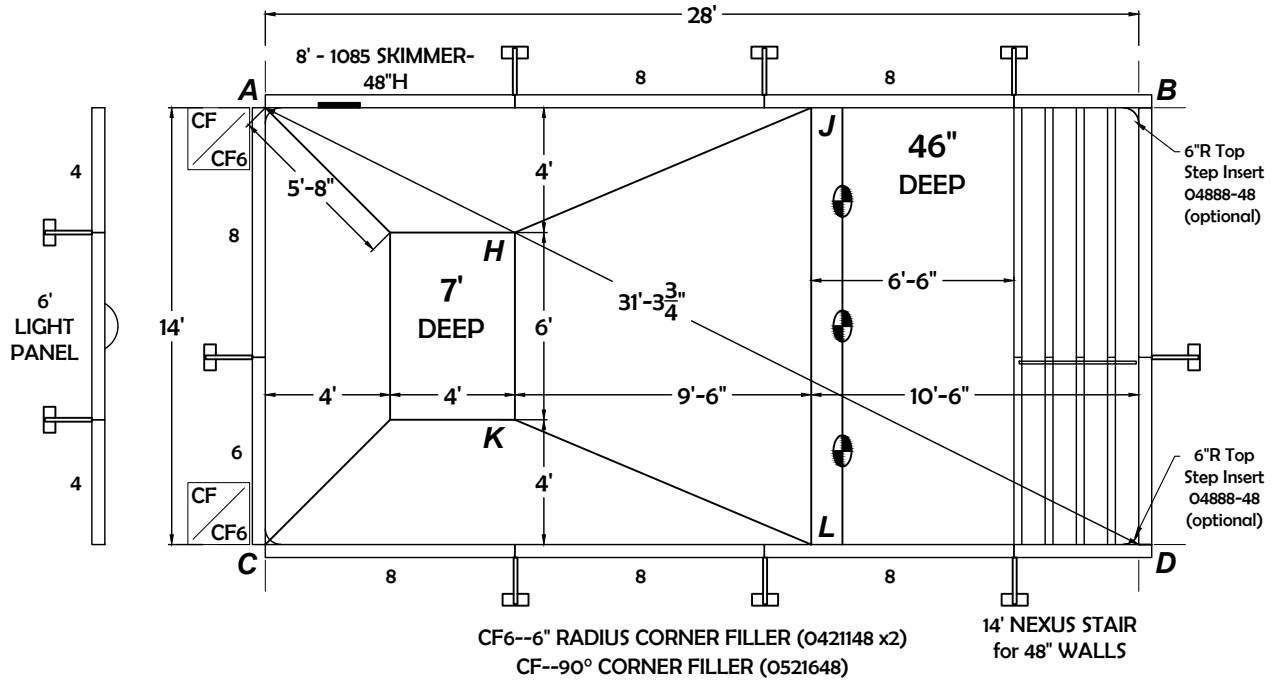


### NO DIVING PERMITTED INTO THIS POOL

The bottom configuration shown conforms with the current ISPSC & ANSI / APSP / ICC suggested minimum standards for pools NOT approved for diving.

**WARNING:** Swimming pools can be dangerous if used improperly. Consult your dealer for information on safe use. It's the responsibility of town officials, builders and homeowners to follow safety recommendations of APSP/ANSI, local ordinances & equipment manufacturers.

- All work not specifically shown here is to be done in accordance with the requirements of the 2024 INTERNATIONAL SWIMMING POOL & SPA CODE, APSP/ANSI/ICC-5 2011 STANDARDS FOR RESIDENTIAL INGROUND SWIMMING POOLS, and all other local building codes.
- Construction Drawing: Different methods and precautions may be dictated by various ground conditions. This is to be determined by and is the responsibility of the contractor who is not an agent of the manufacturer of the component parts.
- Depth and shape of the pool meet minimum standards of the 2024 INTERNATIONAL SWIMMING POOL & SPA CODE and the APSP/ANSI/ICC-5 2011 STANDARDS FOR RESIDENTIAL INGROUND SWIMMING POOLS.
- A means of entry & exit for the deep end & shallow end of the pool must be provided in accordance with 2024 INTERNATIONAL SWIMMING POOL & SPA CODE, section 809.
- Equipotential bonding must be provided in accordance with the NATIONAL ELECTRIC CODE, NFPA 70.
- All A-frame braces are to be contained within an 8" thick continuous poured concrete (2500 psi) perimeter collar.
- Backfill with clean earth, free of roots and debris.
- Finished bottom is to be 2" minimum of suitable material or undisturbed earth.
- 3' wide, 3" thick concrete deck is to be poured at a slope of 1/4" to 1' away from the pool.
- NO DIVING labels are to be installed around the perimeter of the pool.
- A safety line, with buoys, is to be permanently attached 10" to the shallow side of the point of first slope change.
- Suction entrapment avoidance to be installed in accordance with APSP/ANSI/ICC-7
- Pool Coping/Deck is within 12" of the designated waterline, this satisfies requirement for handholds per ISPSC 2024 SECTION 323.1.



FROM A TO:	FROM B TO:	FROM C TO:	FROM D TO:
D 31'-3 3/4"	C 31'-3 3/4"	B 31'-3 3/4"	A 31'-3 3/4"
H 8'-11 1/4"	H 20'-4 3/4"	H 12'-9 3/4"	H 22'-4 1/4"
J 17'-6"	J 10'-6"	J 22'-5"	J 17'-6"
K 12'-9 3/4"	K 22'-4 1/4"	K 8'-11 1/4"	K 20'-4 3/4"
L 22'-5"	L 17'-6"	L 17'-6"	L 10'-6"

Customer Signature: \_\_\_\_\_ Date: \_\_\_\_\_

Corner Type: 90°  6"R

Dealer: \_\_\_\_\_

Job Name: \_\_\_\_\_

**INSTALLATION NOTE:**  
 Substitute (1) - 90° Corner Fillers (#0521648) in place of (2) 6"R Corner Fillers for 90° corner pool option.  
 See page A1 Steel Corner Filler specifications  
 Installer **MUST** specify what type of corners (90° OR 6"R) are desired when ordering both the pool and liner.

# STEEL 48" WALL PANELS

## 14' x 28' 90° OR 6"R CORNER RECTANGLE

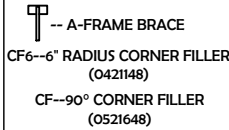
### BILL OF MATERIALS

QUANTITY	DESCRIPTION	Item #
1	14' NEXUS STAIR w/ SD for 48" WALL	O4V51490-24B48
2	3' PLAIN PANEL - 48"	O411348
0	4' PLAIN PANEL - 48"	O411048
2	5' PLAIN PANEL - 48"	O410748
0	6' LIGHT PANEL - 48"	O5112L48
1	6' PLAIN PANEL - 48"	O511248
2	8' PLAIN PANEL	O510248
1	8' SKIMMER PANEL - 1085 - 48"	O510448
2	8' RETURN PANEL - 48"	O510848
2	90° FILLER - 48" (OPTIONAL)	O521648
12	A-FRAME	VARIES
2	DIAG. 6" RADIUS CORNER FILLER (2 REQ. PER CORNER) - 48"	O421148
2	75 PACK HEX BOLT AND WASHER	PAK75
0	100 PACK HEX BOLT AND WASHER	PAK100

**ALL DIMENSIONS ARE FINISH DIMENSIONS**

\*\* see page Appendix for all stair specifications

\*\* see page A1 Steel Corner Filler specifications

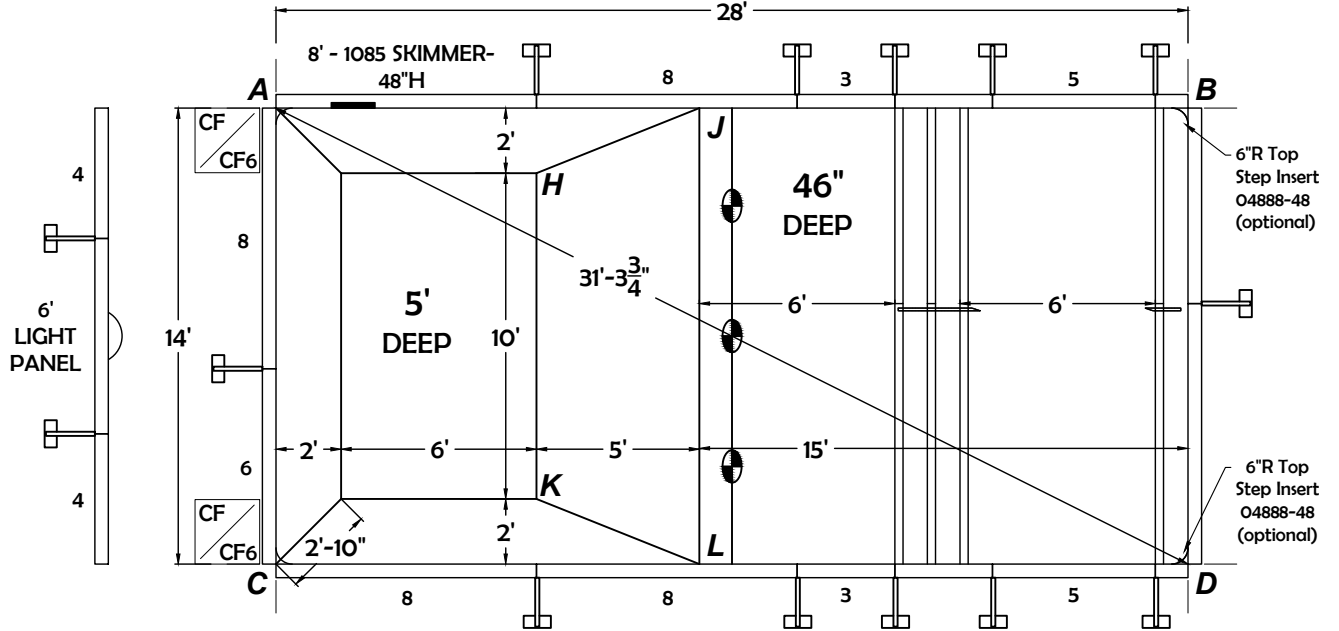


### NO DIVING PERMITTED INTO THIS POOL

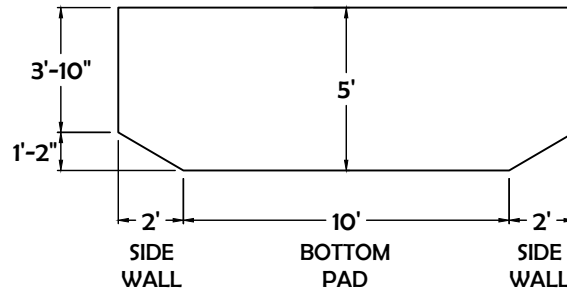
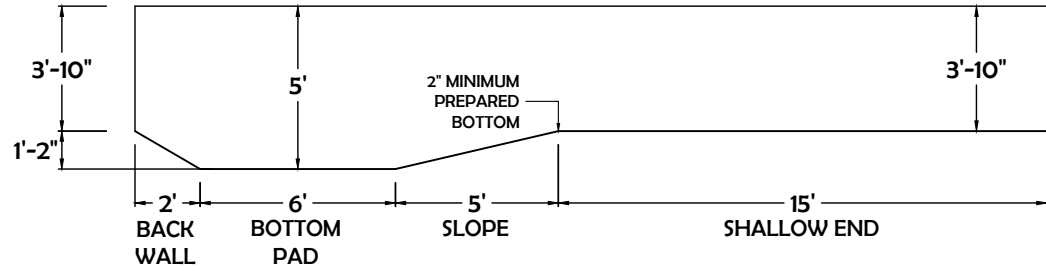
The bottom configuration shown conforms with the current ISPSC & ANSI / APSP / ICC suggested minimum standards for pools NOT approved for diving.

**WARNING:** Swimming pools can be dangerous if used improperly. Consult your dealer for information on safe use. It's the responsibility of town officials, builders and homeowners to follow safety recommendations of APSP/ANSI, local ordinances & equipment manufacturers.

- All work not specifically shown here is to be done in accordance with the requirements of the 2024 INTERNATIONAL SWIMMING POOL & SPA CODE, APSP/ANSI/ICC-5 2011 STANDARDS FOR RESIDENTIAL INGROUND SWIMMING POOLS, and all other local building codes.
- Construction Drawing: Different methods and precautions may be dictated by various ground conditions. This is to be determined by and is the responsibility of the contractor who is not an agent of the manufacturer of the component parts.
- Depth and shape of the pool meet minimum standards of the 2024 INTERNATIONAL SWIMMING POOL & SPA CODE and the APSP/ANSI/ICC-5 2011 STANDARDS FOR RESIDENTIAL INGROUND SWIMMING POOLS.
- A means of entry & exit for the deep end & shallow end of the pool must be provided in accordance with 2024 INTERNATIONAL SWIMMING POOL & SPA CODE, section 809.
- Equipotential bonding must be provided in accordance with the NATIONAL ELECTRIC CODE, NFPA 70.
- All A-frame braces are to be contained within an 8" thick continuous poured concrete (2500 psi) perimeter collar.
- Backfill with clean earth, free of roots and debris.
- Finished bottom is to be 2" minimum of suitable material or undisturbed earth.
- 3' wide, 3" thick concrete deck is to be poured at a slope of 1/4" to 1' away from the pool.
- NO DIVING labels are to be installed around the perimeter of the pool.
- A safety line, with buoys, is to be permanently attached 1'0" to the shallow side of the point of first slope change.
- Suction entrapment avoidance to be installed in accordance with APSP/ANSI/ICC-7
- Pool Coping/Deck is within 12" of the designated waterline, this satisfies requirement for handholds per ISPSC 2024 SECTION 323.1.



CF6--6" RADIUS CORNER FILLER (O421148 x2)  
CF--90° CORNER FILLER (O521648)  
O4V51490-24B48  
14' NEXUS STAIR w/ 72" SD for 48" WALL



FROM A TO:		FROM B TO:		FROM C TO:		FROM D TO:	
D	31'-3 3/4"	C	31'-3 3/4"	B	31'-3 3/4"	A	31'-3 3/4"
H	8'-3"	H	20'-1 1/4"	H	14'-5"	H	23'-4"
J	13'	J	15'	J	19'-1 1/4"	J	20'-6 1/4"
K	14'-5"	K	23'-4"	K	8'-3"	K	20'-1 1/4"
L	19'-1 1/4"	L	20'-6 1/4"	L	13'	L	15'

Customer Signature:	Date:	Corner Type	90° <input type="checkbox"/> 6"R <input type="checkbox"/>	<b>INSTALLATION NOTE:</b> Substitute (1) - 90° Corner Fillers (#0521648) in place of (2) 6"R Corner Fillers for 90° corner pool option. See page A1 Steel Corner Filler specifications  Installer <b>MUST</b> specify what type of corners (90° OR 6"R) are desired when ordering both the pool and liner.
		Dealer:		
		Job Name:		

# STEEL 48" WALL PANELS

## 16' x 32' 90° OR 6"R CORNER RECTANGLE

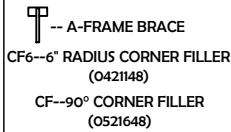
### BILL OF MATERIALS

QUANTITY	DESCRIPTION	Item #
2	4' PLAIN PANEL - 48"	0411048
0	5' PLAIN PANEL - 48"	0410748
0	6' LIGHT PANEL - 48"	05112L48
7	8' PLAIN PANEL	0510248
1	8' SKIMMER-1085 - 48"	0510448
2	8' RETURN PANEL - 48"	0510848
1	8' STEP AND REST - 48"	074185NR48
4	90° FILLER - 48" (OPTIONAL)	0521648
9	A-FRAME	VARIES
8	DIAG. 6" RADIUS CORNER FILLER (2 REQ. PER CORNER) - 48"	0421148
1	75 PACK HEX BOLT AND WASHER	PAK75
1	100 PACK HEX BOLT AND WASHER	PAK100

**ALL DIMENSIONS ARE FINISH DIMENSIONS**

\*\* see page Appendix for all stair specifications

\*\* see page A1 Steel Corner Filler specifications

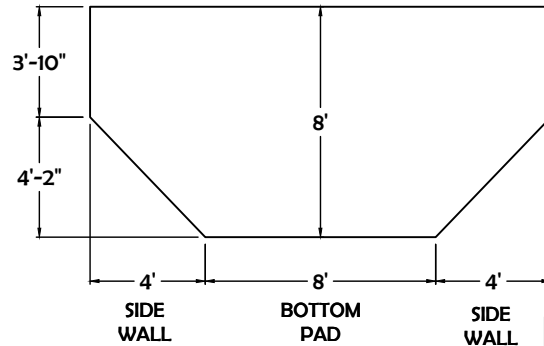
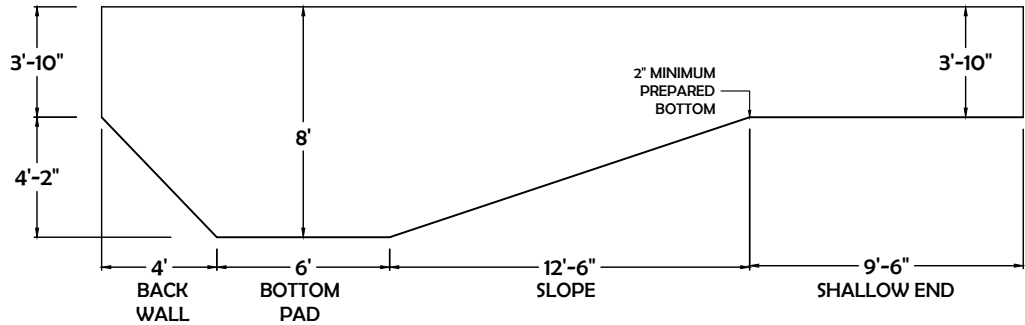
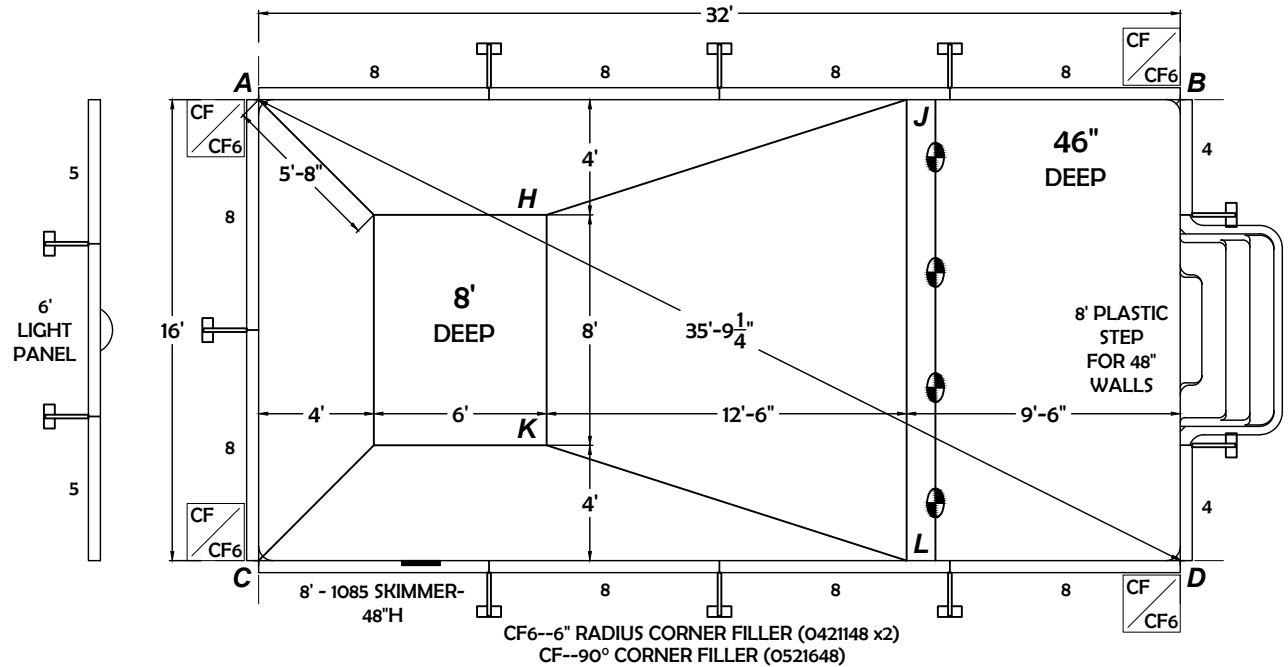


**DIVING PERMITTED ONLY FROM DESIGNATED DIVING AREA**

The bottom configuration shown conforms with the current ISPSC & ANSI / APSP / ICC suggested minimum standards for pools approved for use with manufactured diving equipment

**WARNING:** Swimming pools can be dangerous if used improperly. Consult your dealer for information on safe use. It's the responsibility of town officials, builders and homeowners to follow safety recommendations of APSP/ANSI, local ordinances & equipment manufacturers.

- All work not specifically shown here is to be done in accordance with the requirements of the 2024 INTERNATIONAL SWIMMING POOL & SPA CODE, APSP/ANSI/ICC-5 2011 STANDARDS FOR RESIDENTIAL INGROUND SWIMMING POOLS, and all other local building codes.
- Construction Drawing: Different methods and precautions may be dictated by various ground conditions. This is to be determined by and is the responsibility of the contractor who is not an agent of the manufacturer of the component parts.
- Depth and shape of the pool meet minimum standards of the 2024 INTERNATIONAL SWIMMING POOL & SPA CODE and the APSP/ANSI/ICC-5 2011 STANDARDS FOR RESIDENTIAL INGROUND SWIMMING POOLS.
- A means of entry & exit for the deep end & shallow end of the pool must be provided in accordance with 2024 INTERNATIONAL SWIMMING POOL & SPA CODE, section 809.
- Equipotential bonding must be provided in accordance with the NATIONAL ELECTRIC CODE, NFPA 70.
- All A-frame braces are to be contained within an 8" thick continuous poured concrete (2500 psi) perimeter collar.
- Backfill with clean earth, free of roots and debris.
- Finished bottom is to be 2" minimum of suitable material or undisturbed earth.
- 3' wide, 3" thick concrete deck is to be poured at a slope of 1/4" to 1' away from the pool.
- NO DIVING labels are to be installed around the perimeter of the pool.
- A safety line, with buoys, is to be permanently attached 1'0" to the shallow side of the point of first slope change.
- Suction entrapment avoidance to be installed in accordance with APSP/ANSI/ICC-7
- Pool Coping/Deck is within 12" of the designated waterline, this satisfies requirement for handholds per ISPSC 2024 SECTION 323.1.



FROM A TO:	FROM B TO:	FROM C TO:	FROM D TO:
D 35'-9 1/4"	C 35'-9 1/4"	B 35'-9 1/4"	A 35'-9 1/4"
H 10'-9 1/4"	H 22'-4 1/4"	H 15'-7 1/2"	H 25'-0 3/4"
J 22'-6"	J 9'-6"	J 27'-7 1/4"	J 18'-7 1/4"
K 15'-7 1/2"	K 25'-0 3/4"	K 10'-9 1/4"	K 22'-4 1/4"
L 27'-7 1/4"	L 18'-7 1/4"	L 22'-6"	L 9'-6"

Customer Signature:

Date:

Corner Type

90°

6"R

Dealer:

Job Name:

**INSTALLATION NOTE:**

Substitute (1) - 90° Corner Fillers (#0521648) in place of (2) 6"R Corner Fillers for 90° corner pool option. See page A1 Steel Corner Filler specifications

Installer **MUST** specify what type of corners (90° OR 6"R) are desired when ordering both the pool and liner.



# STEEL 48" WALL PANELS

## 16' x 32' 90° OR 6"R CORNER RECTANGLE

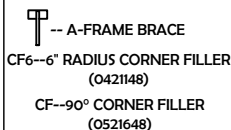
### BILL OF MATERIALS

QUANTITY	DESCRIPTION	Item #
2	4' PLAIN PANEL - 48"	0411048
0	5' PLAIN PANEL - 48"	0410748
0	6' LIGHT PANEL - 48"	05112L48
1	8' NEXUS STEEL STAIR FOR 48" WALL COMPLETE W/ BEAD & HARDWARE	04188BNS48
7	8' PLAIN PANEL	0510248
1	8' SKIMMER PANEL- 1085 - 48"	0510448
2	8' RETURN PANEL - 48"	0510848
4	90° FILLER - 48" (OPTIONAL)	0521648
1	90° RECT. STAIR FILLER LEFT- 48"	04206UH48
1	90° RECT. STAIR FILLER RIGHT - 48"	04207UH48
7	A-FRAME	VARIES
8	DIAG. 6" RADIUS CORNER FILLER (2 REQ. PER CORNER) - 48"	0421148
1	75 PACK HEX BOLT AND WASHER	PAK75
1	100 PACK HEX BOLT AND WASHER	PAK100

#### ALL DIMENSIONS ARE FINISH DIMENSIONS

\*\* see page Appendix for all stair specifications

\*\* see page A1 Steel Corner Filler specifications

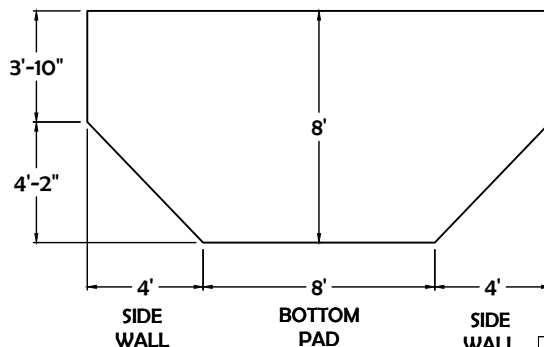
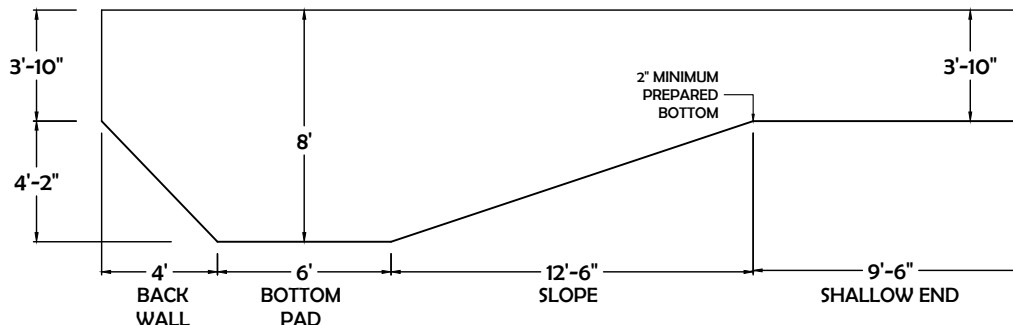
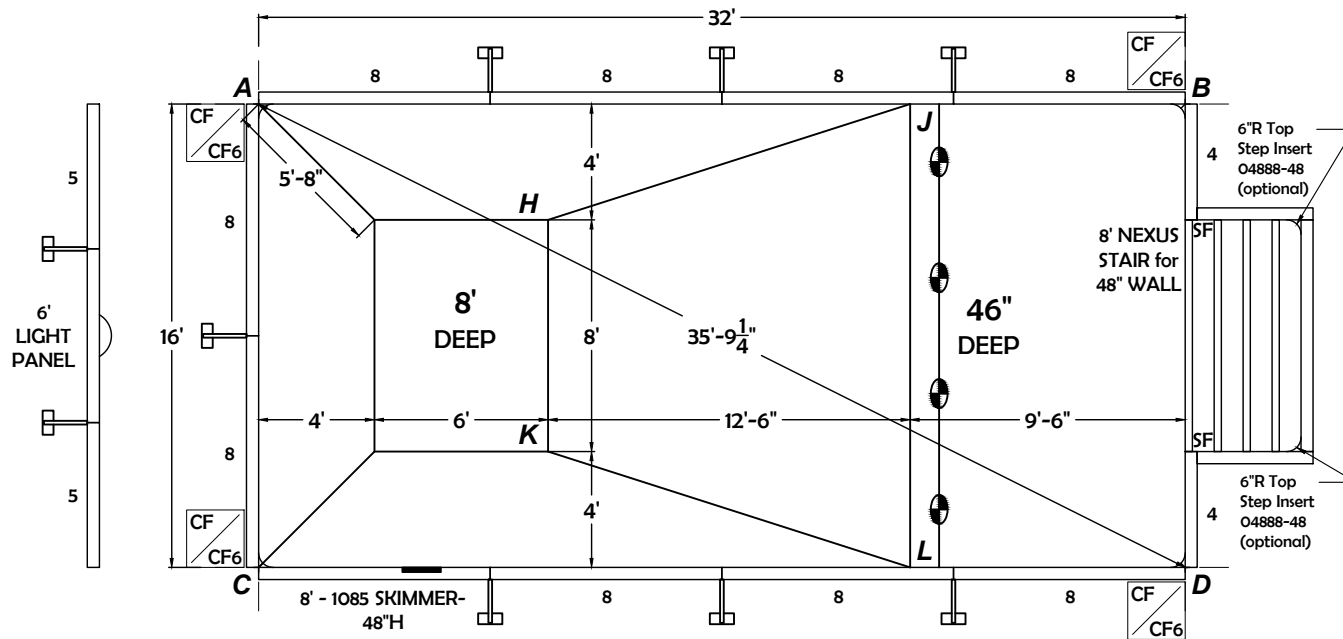


#### DIVING PERMITTED ONLY FROM DESIGNATED DIVING AREA

The bottom configuration shown conforms with the current ISPSC & ANSI / APSP / ICC suggested minimum standards for pools approved for use with manufactured diving equipment

**WARNING:** Swimming pools can be dangerous if used improperly. Consult your dealer for information on safe use. It's the responsibility of town officials, builders and homeowners to follow safety recommendations of APSP/ANSI, local ordinances & equipment manufacturers.

- All work not specifically shown here is to be done in accordance with the requirements of the 2024 INTERNATIONAL SWIMMING POOL & SPA CODE, APSP/ANSI/ICC-5 2011 STANDARDS FOR RESIDENTIAL INGROUND SWIMMING POOLS, and all other local building codes.
- Construction Drawing: Different methods and precautions may be dictated by various ground conditions. This is to be determined by and is the responsibility of the contractor who is not an agent of the manufacturer of the component parts.
- Depth and shape of the pool meet minimum standards of the 2024 INTERNATIONAL SWIMMING POOL & SPA CODE and the APSP/ANSI/ICC-5 2011 STANDARDS FOR RESIDENTIAL INGROUND SWIMMING POOLS.
- A means of entry & exit for the deep end & shallow end of the pool must be provided in accordance with 2024 INTERNATIONAL SWIMMING POOL & SPA CODE, section 809.
- Equipotential bonding must be provided in accordance with the NATIONAL ELECTRIC CODE, NFPA 70.
- All A-frame braces are to be contained within an 8" thick continuous poured concrete (2500 psi) perimeter collar.
- Backfill with clean earth, free of roots and debris.
- Finished bottom is to be 2" minimum of suitable material or undisturbed earth.
- 3' wide, 3" thick concrete deck is to be poured at a slope of 1/4" to 1' away from the pool.
- NO DIVING labels are to be installed around the perimeter of the pool.
- A safety line, with buoys, is to be permanently attached 1'0" to the shallow side of the point of first slope change.
- Suction entrapment avoidance to be installed in accordance with APSP/ANSI/ICC-7
- Pool Coping/Deck is within 12" of the designated waterline, this satisfies requirement for handholds per ISPSC 2024 SECTION 323.1.



FROM A TO:	FROM B TO:	FROM C TO:	FROM D TO:
D 35'-9 1/4"	C 35'-9 1/4"	B 35'-9 1/4"	A 35'-9 1/4"
H 10'-9 1/4"	H 22'-4 1/4"	H 15'-7 1/2"	H 25'-0 3/4"
J 22'-6"	J 9'-6"	J 27'-7 1/4"	J 18'-7 1/4"
K 15'-7 1/2"	K 25'-0 3/4"	K 10'-9 1/4"	K 22'-4 1/4"
L 27'-7 1/4"	L 18'-7 1/4"	L 22'-6"	L 9'-6"

SF--RECTANGLE STAIR FILLER (04206UH48 / 04207UH48)  
 CF6--6" RADIUS CORNER FILLER (0421148 x2)  
 CF--90° CORNER FILLER (0521648)

Customer  
Signature:

Date:

Corner  
Type

90°

6"R

Dealer:

Job Name:

#### INSTALLATION NOTE:

Substitute (1) - 90° Corner Fillers (#0521648) in place of (2) 6"R Corner Fillers for 90° corner pool option. See page A1 Steel Corner Filler specifications

Installer **MUST** specify what type of corners (90° OR 6"R) are desired when ordering both the pool and liner.

# STEEL 48" WALL PANELS

## 16' x 32' 90° OR 6"R CORNER RECTANGLE (3 CORNER RIGHT)

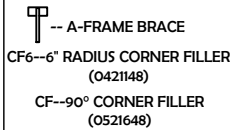
### BILL OF MATERIALS

QUANTITY	DESCRIPTION	Item #
0	5' PLAIN PANEL - 48"	O410748
1	5" STEEL & NEXUS STAIR FILLER - 48	O412048
0	6' LIGHT PANEL - 48"	O5112L48
1	8' NEXUS STEEL STAIR FOR 48" WALL COMPLETE W/ BEAD & HARDWARE	O4188BNS48
8	8' PLAIN PANEL	O510248
1	8' SKIMMER PANEL- 1085 - 48"	O510448
2	8' RETURN PANEL - 48"	O510848
3	90° FILLER - 48" (OPTIONAL)	O521648
1	90° RECT. STAIR FILLER RIGHT - 48"	O4207UH48
8	A-FRAME	VARIES
3	DIAG. 6" RADIUS CORNER FILLER (2 REQ. PER CORNER) - 48"	O421148
1	75 PACK HEX BOLT AND WASHER	PAK75
1	100 PACK HEX BOLT AND WASHER	PAK100

**ALL DIMENSIONS ARE FINISH DIMENSIONS**

\*\* see page Appendix for all stair specifications

\*\* see page A1 Steel Corner Filler specifications

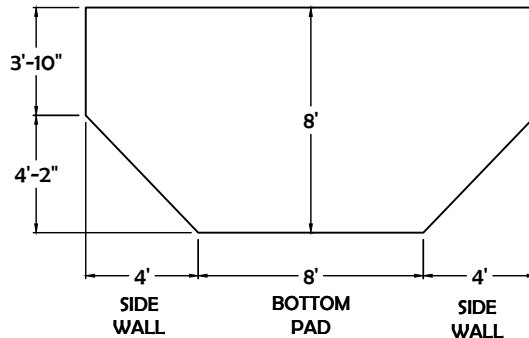
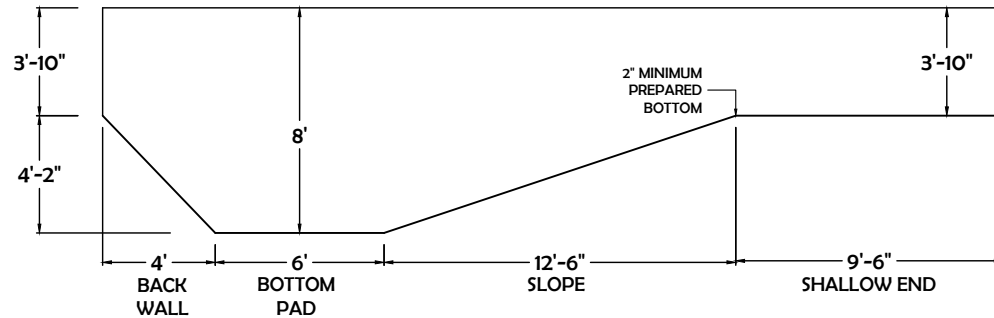
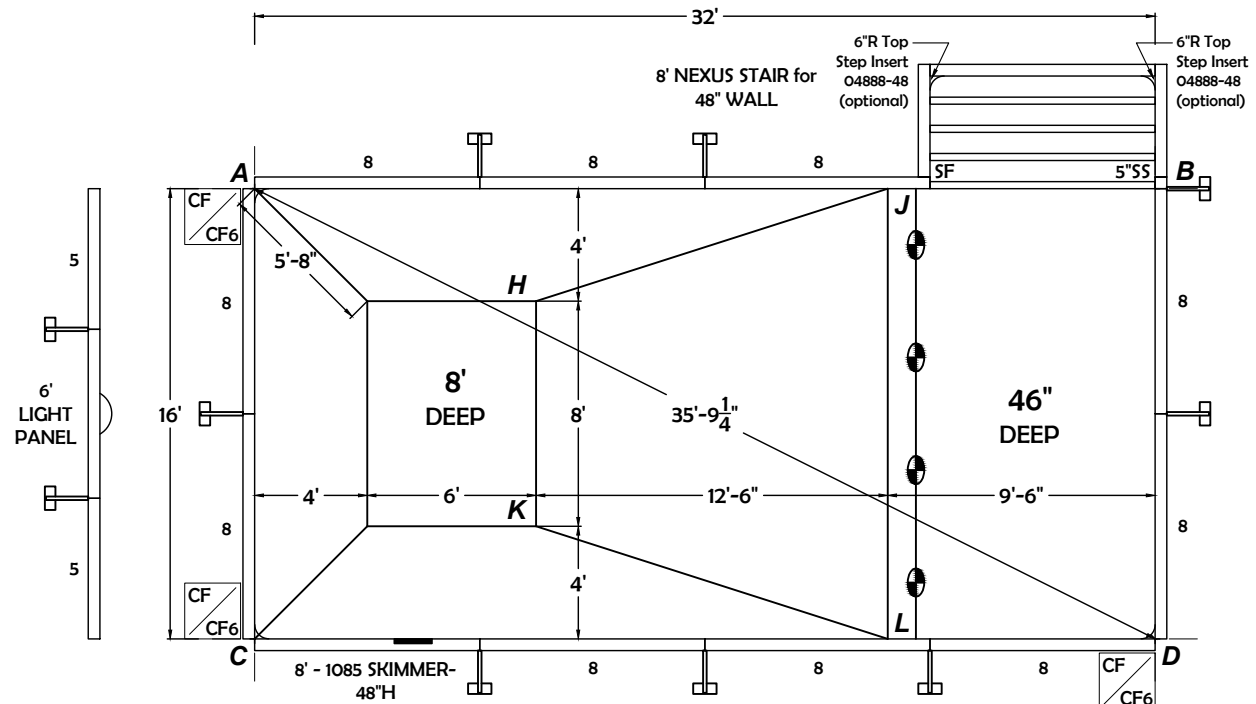


**DIVING PERMITTED ONLY FROM DESIGNATED DIVING AREA**

The bottom configuration shown conforms with the current ISPSC & ANSI / APSP / ICC suggested minimum standards for pools approved for use with manufactured diving equipment

**WARNING:** Swimming pools can be dangerous if used improperly. Consult your dealer for information on safe use. It's the responsibility of town officials, builders and homeowners to follow safety recommendations of APSP/ANSI, local ordinances & equipment manufacturers.

- All work not specifically shown here is to be done in accordance with the requirements of the 2024 INTERNATIONAL SWIMMING POOL & SPA CODE, APSP/ANSI/ICC-5 2011 STANDARDS FOR RESIDENTIAL INGROUND SWIMMING POOLS, and all other local building codes.
- Construction Drawing: Different methods and precautions may be dictated by various ground conditions. This is to be determined by and is the responsibility of the contractor who is not an agent of the manufacturer of the component parts.
- Depth and shape of the pool meet minimum standards of the 2024 INTERNATIONAL SWIMMING POOL & SPA CODE and the APSP/ANSI/ICC-5 2011 STANDARDS FOR RESIDENTIAL INGROUND SWIMMING POOLS.
- A means of entry & exit for the deep end & shallow end of the pool must be provided in accordance with 2024 INTERNATIONAL SWIMMING POOL & SPA CODE, section 809.
- Equipotential bonding must be provided in accordance with the NATIONAL ELECTRIC CODE, NFPA 70.
- All A-frame braces are to be contained within an 8" thick continuous poured concrete (2500 psi) perimeter collar.
- Backfill with clean earth, free of roots and debris.
- Finished bottom is to be 2" minimum of suitable material or undisturbed earth.
- 3' wide, 3" thick concrete deck is to be poured at a slope of 1/4" to 1' away from the pool.
- NO DIVING labels are to be installed around the perimeter of the pool.
- A safety line, with buoys, is to be permanently attached 1'0" to the shallow side of the point of first slope change.
- Suction entrapment avoidance to be installed in accordance with APSP/ANSI/ICC-7
- Pool Coping/Deck is within 12" of the designated waterline, this satisfies requirement for handholds per ISPSC 2024 SECTION 323.1.



FROM A TO:	FROM B TO:	FROM C TO:	FROM D TO:
D 35'-9 1/4"	C 35'-9 1/4"	B 35'-9 1/4"	A 35'-9 1/4"
H 10'-9 1/4"	H 22'-4 1/4"	H 15'-7 1/2"	H 25'-0 3/4"
J 22'-6"	J 9'-6"	J 27'-7 1/4"	J 18'-7 1/4"
K 15'-7 1/2"	K 25'-0 3/4"	K 10'-9 1/4"	K 22'-4 1/4"
L 27'-7 1/4"	L 18'-7 1/4"	L 22'-6"	L 9'-6"

SF--RECTANGLE STAIR FILLER (O4206UH48 / O4207UH48)  
 5"SS--5" STEEL & NEXUS STAIR FILLER (O412048)  
 CF6--6" RADIUS CORNER FILLER (O421148 x2)  
 CF--90° CORNER FILLER (O521648)

Customer  
Signature:

Date:

Corner Type	90° <input type="checkbox"/>	6"R <input type="checkbox"/>
Dealer:		
Job Name:		

**INSTALLATION NOTE:**

Substitute (1) - 90° Corner Fillers (#0521648) in place of (2) 6"R Corner Fillers for 90° corner pool option. See page A1 Steel Corner Filler specifications

Installer **MUST** specify what type of corners (90° OR 6"R) are desired when ordering both the pool and liner.

# STEEL 48" WALL PANELS

## 16' x 32' 90° OR 6"R CORNER RECTANGLE (3 CORNER LEFT)

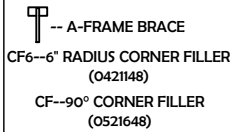
### BILL OF MATERIALS

QUANTITY	DESCRIPTION	Item #
0	5' PLAIN PANEL - 48"	0410748
1	5' STEEL & NEXUS STAIR FILLER - 48	0412048
0	6' LIGHT PANEL - 48"	05112L48
1	8' NEXUS STEEL STAIR FOR 48" WALL COMPLETE W/ BEAD & HARDWARE	04188BNS48
8	8' PLAIN PANEL	0510248
1	8' SKIMMER PANEL - 1085 - 48"	0510448
2	8' RETURN PANEL - 48"	0510848
3	90° FILLER - 48" (OPTIONAL)	0521648
1	90° RECT. STAIR FILLER LEFT- 48"	04206UH48
8	A-FRAME	VARIES
3	DIAG. 6" RADIUS CORNER FILLER (2 REQ. PER CORNER) - 48"	0421148
1	75 PACK HEX BOLT AND WASHER	PAK75
1	100 PACK HEX BOLT AND WASHER	PAK100

### ALL DIMENSIONS ARE FINISH DIMENSIONS

\*\* see page Appendix for all stair specifications

\*\* see page A1 Steel Corner Filler specifications

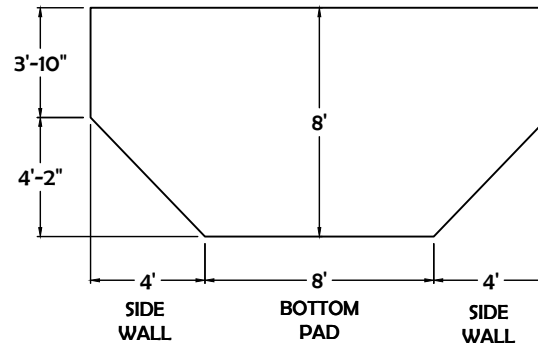
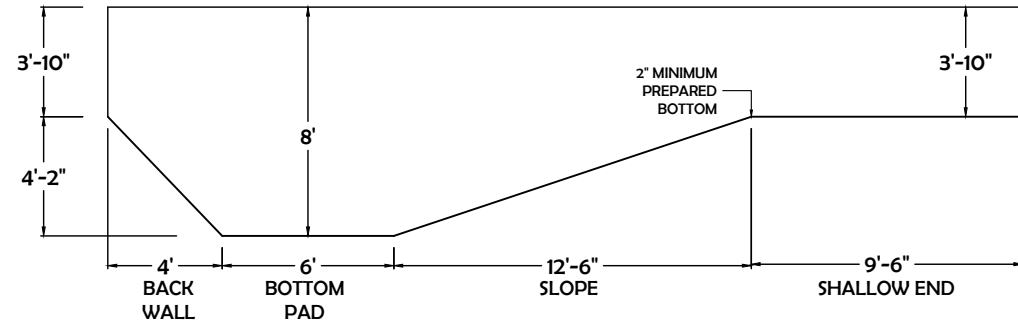
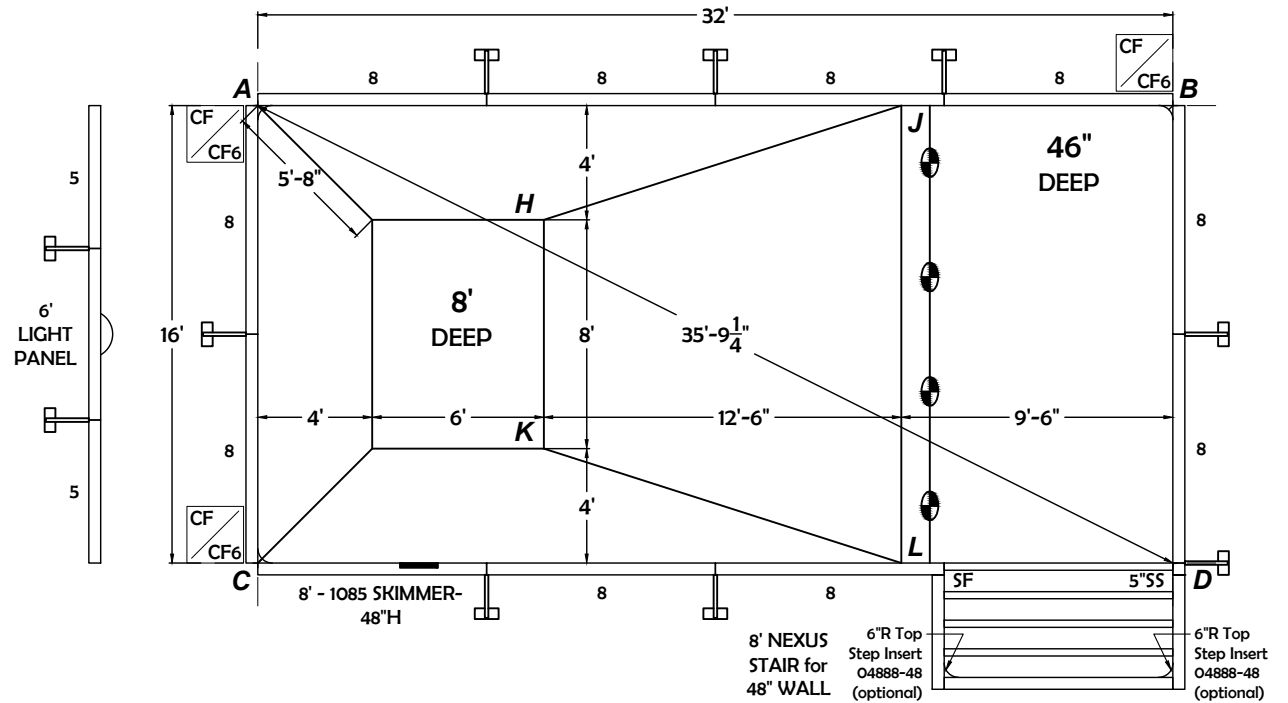


### DIVING PERMITTED ONLY FROM DESIGNATED DIVING AREA

The bottom configuration shown conforms with the current ISPSC & ANSI / APSP / ICC suggested minimum standards for pools approved for use with manufactured diving equipment

**WARNING:** Swimming pools can be dangerous if used improperly. Consult your dealer for information on safe use. It's the responsibility of town officials, builders and homeowners to follow safety recommendations of APSP/ANSI, local ordinances & equipment manufacturers.

- All work not specifically shown here is to be done in accordance with the requirements of the 2024 INTERNATIONAL SWIMMING POOL & SPA CODE, APSP/ANSI/ICC-5 2011 STANDARDS FOR RESIDENTIAL INGROUND SWIMMING POOLS, and all other local building codes.
- Construction Drawing: Different methods and precautions may be dictated by various ground conditions. This is to be determined by and is the responsibility of the contractor who is not an agent of the manufacturer of the component parts.
- Depth and shape of the pool meet minimum standards of the 2024 INTERNATIONAL SWIMMING POOL & SPA CODE and the APSP/ANSI/ICC-5 2011 STANDARDS FOR RESIDENTIAL INGROUND SWIMMING POOLS.
- A means of entry & exit for the deep end & shallow end of the pool must be provided in accordance with 2024 INTERNATIONAL SWIMMING POOL & SPA CODE, section 809.
- Equipotential bonding must be provided in accordance with the NATIONAL ELECTRIC CODE, NFPA 70.
- All A-frame braces are to be contained within an 8" thick continuous poured concrete (2500 psi) perimeter collar.
- Backfill with clean earth, free of roots and debris.
- Finished bottom is to be 2" minimum of suitable material or undisturbed earth.
- 3' wide, 3" thick concrete deck is to be poured at a slope of 1/4" to 1' away from the pool.
- NO DIVING labels are to be installed around the perimeter of the pool.
- A safety line, with buoys, is to be permanently attached 10" to the shallow side of the point of first slope change.
- Suction entrapment avoidance to be installed in accordance with APSP/ANSI/ICC-7
- Pool Coping/Deck is within 12" of the designated waterline, this satisfies requirement for handholds per ISPSC 2024 SECTION 323.1.



FROM A TO:	FROM B TO:	FROM C TO:	FROM D TO:
D 35'-9 1/4"	C 35'-9 1/4"	B 35'-9 1/4"	A 35'-9 1/4"
H 10'-9 1/4"	H 22'-4 1/4"	H 15'-7 1/2"	H 25'-0 3/4"
J 22'-6"	J 9'-6"	J 27'-7 1/4"	J 18'-7 1/4"
K 15'-7 1/2"	K 25'-0 3/4"	K 10'-9 1/4"	K 22'-4 1/4"
L 27'-7 1/4"	L 18'-7 1/4"	L 22'-6"	L 9'-6"

SF--RECTANGLE STAIR FILLER (04206UH48 / 04207UH48)  
 5'SS--5" STEEL & NEXUS STAIR FILLER (0412048)  
 CF6--6" RADIUS CORNER FILLER (0421148 x2)  
 CF--90° CORNER FILLER (0521648)

Customer  
Signature:

Date:

Corner Type	90° <input type="checkbox"/>	6"R <input type="checkbox"/>
Dealer:		
Job Name:		

### INSTALLATION NOTE:

Substitute (1) - 90° Corner Fillers (#0521648) in place of (2) 6"R Corner Fillers for 90° corner pool option. See page A1 Steel Corner Filler specifications

Installer **MUST** specify what type of corners (90° OR 6"R) are desired when ordering both the pool and liner.

# STEEL 48" WALL PANELS

## 16' x 32' 90° OR 6"R CORNER RECTANGLE

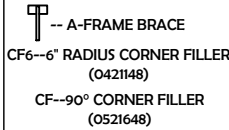
### BILL OF MATERIALS

QUANTITY	DESCRIPTION	Item #
1	16' NEXUS STAIR for 48" WALLS	O4518BNS48
2	4' PLAIN PANEL - 48"	O411048
0	5' PLAIN PANEL - 48"	O410748
0	6' LIGHT PANEL - 48"	O5112L48
5	8' PLAIN PANEL	O510248
1	8' SKIMMER PANEL - 1085 - 48"	O510448
2	8' RETURN PANEL - 48"	O510848
2	90° FILLER - 48" (OPTIONAL)	O521648
10	A-FRAME	VARIES
4	DIAG. 6" RADIUS CORNER FILLER (2 REQ. PER CORNER) - 48"	O421148
2	8' RETURN PANEL - 48"	O510848
2	75 PACK HEX BOLT AND WASHER	PAK75
0	100 PACK HEX BOLT AND WASHER	PAK100

**ALL DIMENSIONS ARE FINISH DIMENSIONS**

\*\* see page Appendix for all stair specifications

\*\* see page A1 Steel Corner Filler specifications

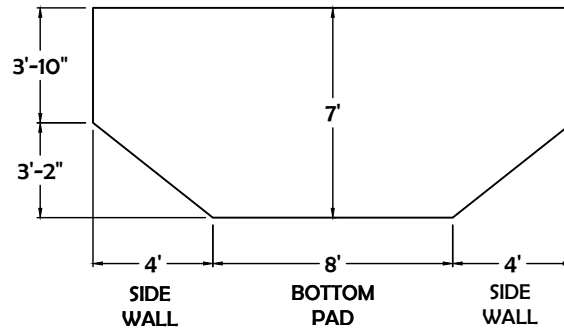
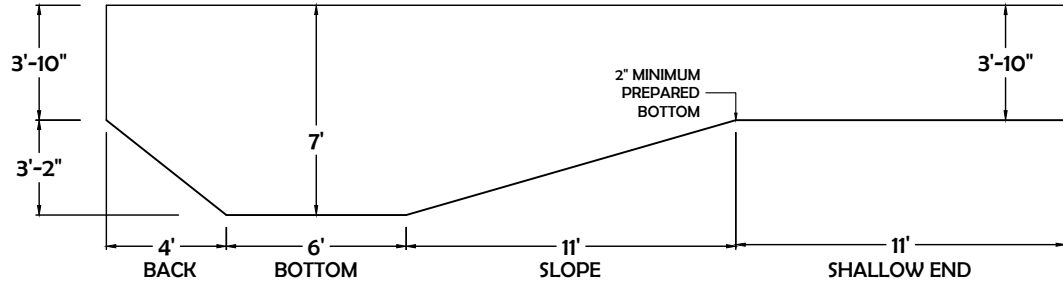
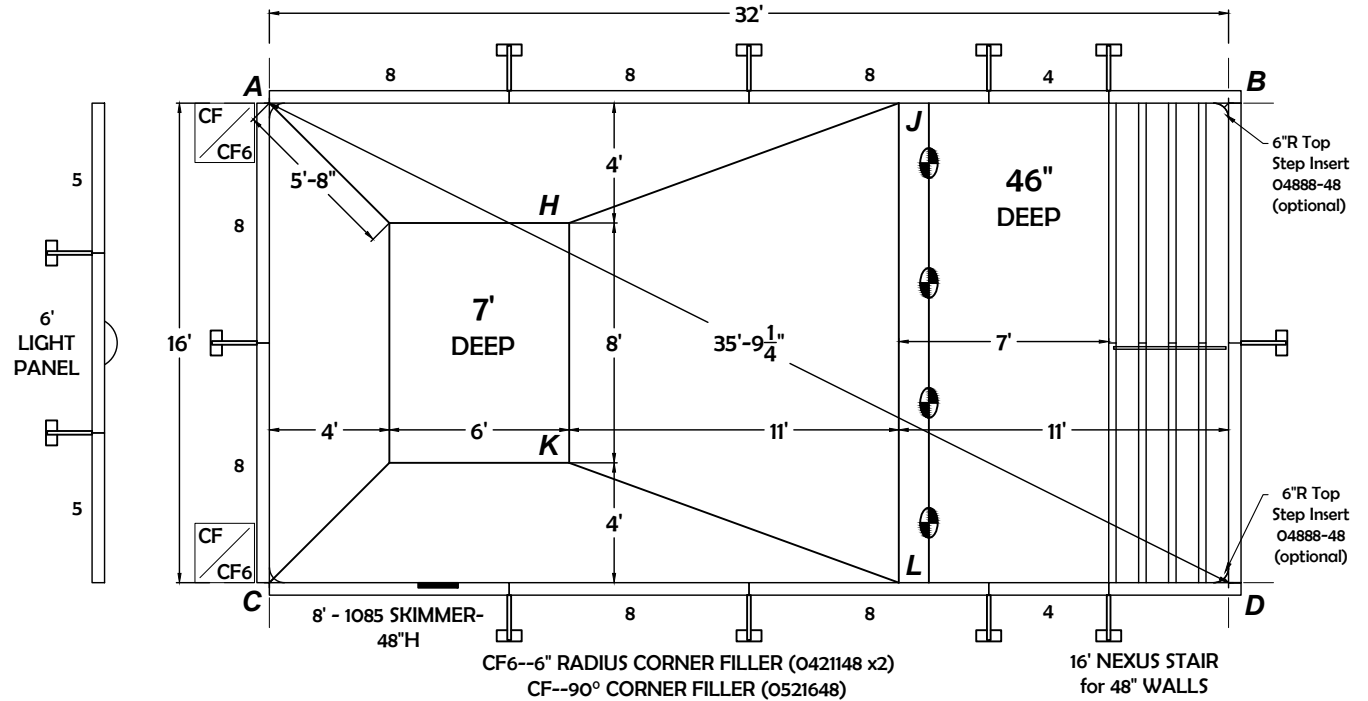


### NO DIVING PERMITTED INTO THIS POOL

The bottom configuration shown conforms with the current ISPSC & ANSI / APSP / ICC suggested minimum standards for pools NOT approved for diving.

**WARNING:** Swimming pools can be dangerous if used improperly. Consult your dealer for information on safe use. It's the responsibility of town officials, builders and homeowners to follow safety recommendations of APSP/ANSI, local ordinances & equipment manufacturers.

- All work not specifically shown here is to be done in accordance with the requirements of the 2024 INTERNATIONAL SWIMMING POOL & SPA CODE, APSP/ANSI/ICC-5 2011 STANDARDS FOR RESIDENTIAL INGROUND SWIMMING POOLS, and all other local building codes.
- Construction Drawing: Different methods and precautions may be dictated by various ground conditions. This is to be determined by and is the responsibility of the contractor who is not an agent of the manufacturer of the component parts.
- Depth and shape of the pool meet minimum standards of the 2024 INTERNATIONAL SWIMMING POOL & SPA CODE and the APSP/ANSI/ICC-5 2011 STANDARDS FOR RESIDENTIAL INGROUND SWIMMING POOLS.
- A means of entry & exit for the deep end & shallow end of the pool must be provided in accordance with 2024 INTERNATIONAL SWIMMING POOL & SPA CODE, section 809.
- Equipotential bonding must be provided in accordance with the NATIONAL ELECTRIC CODE, NFPA 70.
- All A-frame braces are to be contained within an 8" thick continuous poured concrete (2500 psi) perimeter collar.
- Backfill with clean earth, free of roots and debris.
- Finished bottom is to be 2" minimum of suitable material or undisturbed earth.
- 3' wide, 3" thick concrete deck is to be poured at a slope of 1/4" to 1' away from the pool.
- NO DIVING labels are to be installed around the perimeter of the pool.
- A safety line, with buoys, is to be permanently attached 10' to the shallow side of the point of first slope change.
- Suction entrapment avoidance to be installed in accordance with APSP/ANSI/ICC-7
- Pool Coping/Deck is within 12" of the designated waterline, this satisfies requirement for handholds per ISPSC 2024 SECTION 323.1.



FROM A TO:		FROM B TO:		FROM C TO:		FROM D TO:	
D	35'-9 1/4"	C	35'-9 1/4"	B	35'-9 1/4"	A	35'-9 1/4"
H	10'-9 1/4"	H	22'-4 1/4"	H	15'-7 1/2"	H	25'-0 3/4"
J	2'	J	11"	J	26'-4 3/4"	J	19'-5"
K	15'-7 1/2"	K	25'-0 3/4"	K	10'-9 1/4"	K	22'-4 1/4"
L	27'-7 1/4"	L	19'-5"	L	21"	L	11"

Customer Signature:

Date:

Corner Type:  90°  6"R

Dealer:

Job Name:

**INSTALLATION NOTE:**  
Substitute (1) - 90° Corner Fillers (#0521648) in place of (2) 6"R Corner Fillers for 90° corner pool option. See page A1 Steel Corner Filler specifications  
Installer **MUST** specify what type of corners (90° OR 6"R) are desired when ordering both the pool and liner.

# STEEL 48" WALL PANELS

## 16' x 32' 90° OR 6"R CORNER RECTANGLE

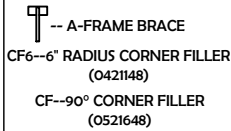
### BILL OF MATERIALS

QUANTITY	DESCRIPTION	Item #
1	16' NEXUS STAIR w/ SD for 48" WALL	O4V51690-24B-48
2	5' PLAIN PANEL - 48"	O410748
0	6' LIGHT PANEL - 48"	O5112L48
2	7' PLAIN PANEL - 48"	O511048
3	8' PLAIN PANEL	O510248
1	8' SKIMMER PANEL- 1085 - 48"	O510448
2	8' RETURN PANEL - 48"	O510848
2	90° FILLER - 48" (OPTIONAL)	O521648
12	A-FRAME	VARIES
4	DIAG. 6" RADIUS CORNER FILLER (2 REQ. PER CORNER) - 48"	O421148
2	75 PACK HEX BOLT AND WASHER	PAK75
0	100 PACK HEX BOLT AND WASHER	PAK100

**ALL DIMENSIONS ARE FINISH DIMENSIONS**

\*\* see page Appendix for all stair specifications

\*\* see page A1 Steel Corner Filler specifications

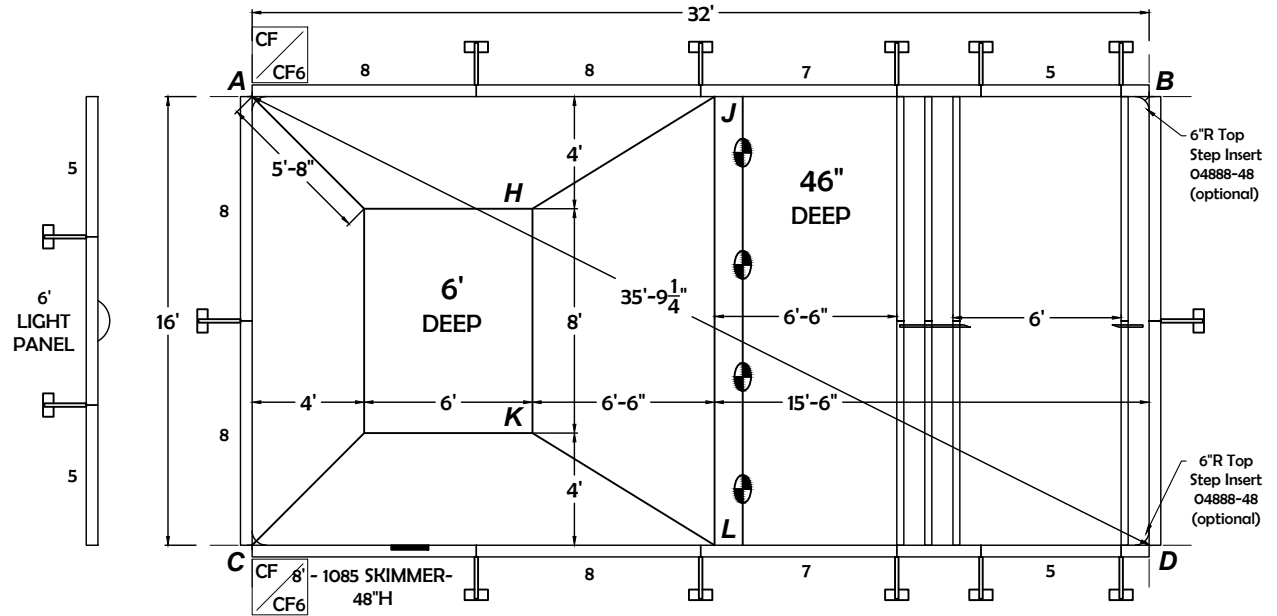


### NO DIVING PERMITTED INTO THIS POOL

The bottom configuration shown conforms with the current ISPSC & ANSI / APSP / ICC suggested minimum standards for pools NOT approved for diving.

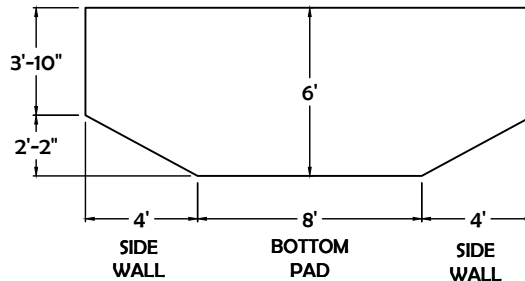
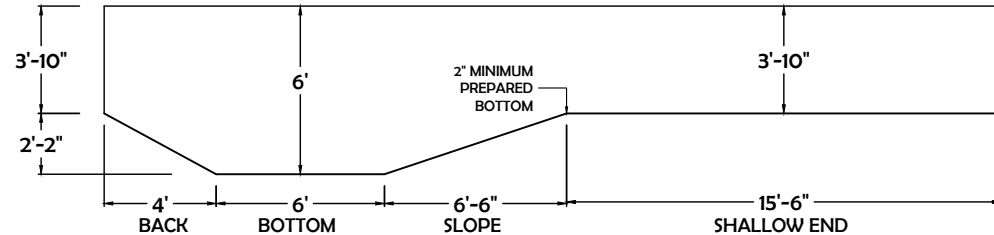
**WARNING:** Swimming pools can be dangerous if used improperly. Consult your dealer for information on safe use. It's the responsibility of town officials, builders and homeowners to follow safety recommendations of APSP/ANSI, local ordinances & equipment manufacturers.

- All work not specifically shown here is to be done in accordance with the requirements of the 2024 INTERNATIONAL SWIMMING POOL & SPA CODE, APSP/ANSI/ICC-5 2011 STANDARDS FOR RESIDENTIAL INGROUND SWIMMING POOLS, and all other local building codes.
- Construction Drawing: Different methods and precautions may be dictated by various ground conditions. This is to be determined by and is the responsibility of the contractor who is not an agent of the manufacturer of the component parts.
- Depth and shape of the pool meet minimum standards of the 2024 INTERNATIONAL SWIMMING POOL & SPA CODE and the APSP/ANSI/ICC-5 2011 STANDARDS FOR RESIDENTIAL INGROUND SWIMMING POOLS.
- A means of entry & exit for the deep end & shallow end of the pool must be provided in accordance with 2024 INTERNATIONAL SWIMMING POOL & SPA CODE, section 809.
- Equipotential bonding must be provided in accordance with the NATIONAL ELECTRIC CODE, NFPA 70.
- All A-frame braces are to be contained within an 8" thick continuous poured concrete (2500 psi) perimeter collar.
- Backfill with clean earth, free of roots and debris.
- Finished bottom is to be 2" minimum of suitable material or undisturbed earth.
- 3' wide, 3" thick concrete deck is to be poured at a slope of 1/4" to 1' away from the pool.
- NO DIVING labels are to be installed around the perimeter of the pool.
- A safety line, with buoys, is to be permanently attached 1'0" to the shallow side of the point of first slope change.
- Suction entrapment avoidance to be installed in accordance with APSP/ANSI/ICC-7
- Pool Coping/Deck is within 12" of the designated waterline, this satisfies requirement for handholds per ISPSC 2024 SECTION 323.1.



CF6--6" RADIUS CORNER FILLER (O421148 x2)  
CF--90° CORNER FILLER (O521648)

O4V51690-24B48  
16' NEXUS STAIR w/ 72" SD  
for 48" WALL



	FROM A TO:	FROM B TO:	FROM C TO:	FROM D TO:			
D	35'-9 1/4"	C	35'-9 1/4"	B	35'-9 1/4"	A	35'-9 1/4"
H	10'-9 1/4"	H	22'-4 1/4"	H	15'-7 1/2"	H	25'-0 3/4"
J	16'-6"	J	15'-6"	J	22'-11 3/4"	J	22'-3 1/4"
K	15'-7 1/2"	K	25'-0 3/4"	K	10'-9 1/4"	K	22'-4 1/4"
L	22'-11 3/4"	L	22'-3 1/4"	L	16'-6"	L	15'-6"

Customer  
Signature:

Date:

Corner  
Type

90°  6"R

Dealer:

Job Name:

**INSTALLATION NOTE:**

Substitute (1) - 90° Corner Fillers (#0521648) in place of (2) 6"R Corner Fillers for 90° corner pool option. See page A1 Steel Corner Filler specifications

Installer **MUST** specify what type of corners (90° OR 6"R) are desired when ordering both the pool and liner.

# STEEL 48" WALL PANELS

## 16' x 36' 90° OR 6"R CORNER RECTANGLE

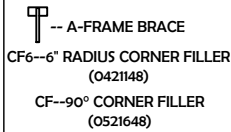
### BILL OF MATERIALS

QUANTITY	DESCRIPTION	Item #
4	4' PLAIN PANEL - 48"	O411048
0	5' PLAIN PANEL - 48"	O410748
0	6' LIGHT PANEL - 48"	O5112L48
7	8' PLAIN PANEL	O510248
1	8' SKIMMER PANEL - 1085 - 48"	O510448
2	8' RETURN PANEL - 48"	O510848
1	8' STEP AND REST - 48"	O74185NR48
4	90° FILLER - 48" (OPTIONAL)	O521648
11	A-FRAME	VARIES
8	DIAG. 6" RADIUS CORNER FILLER (2 REQ. PER CORNER) - 48"	O421148
0	75 PACK HEX BOLT AND WASHER	PAK75
2	100 PACK HEX BOLT AND WASHER	PAK100

**ALL DIMENSIONS ARE FINISH DIMENSIONS**

\*\* see page Appendix for all stair specifications

\*\* see page A1 Steel Corner Filler specifications

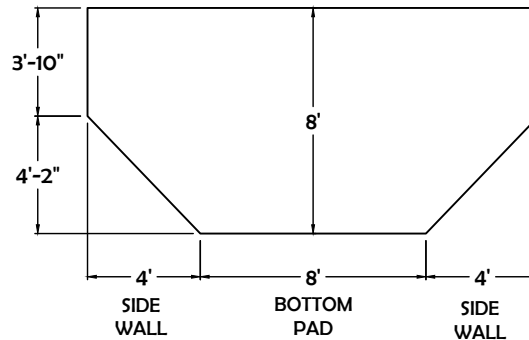
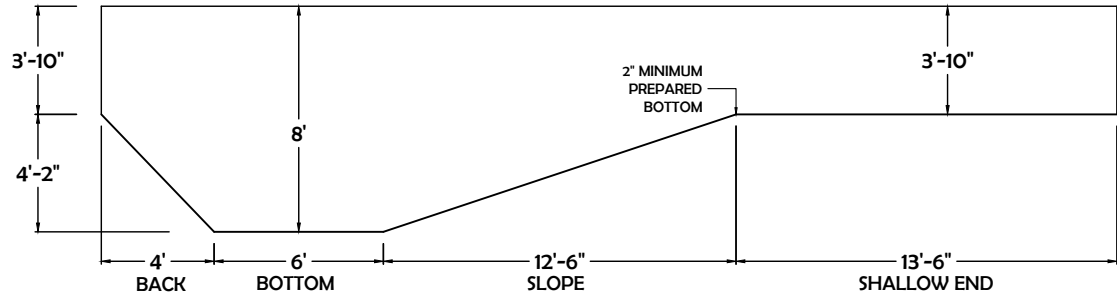
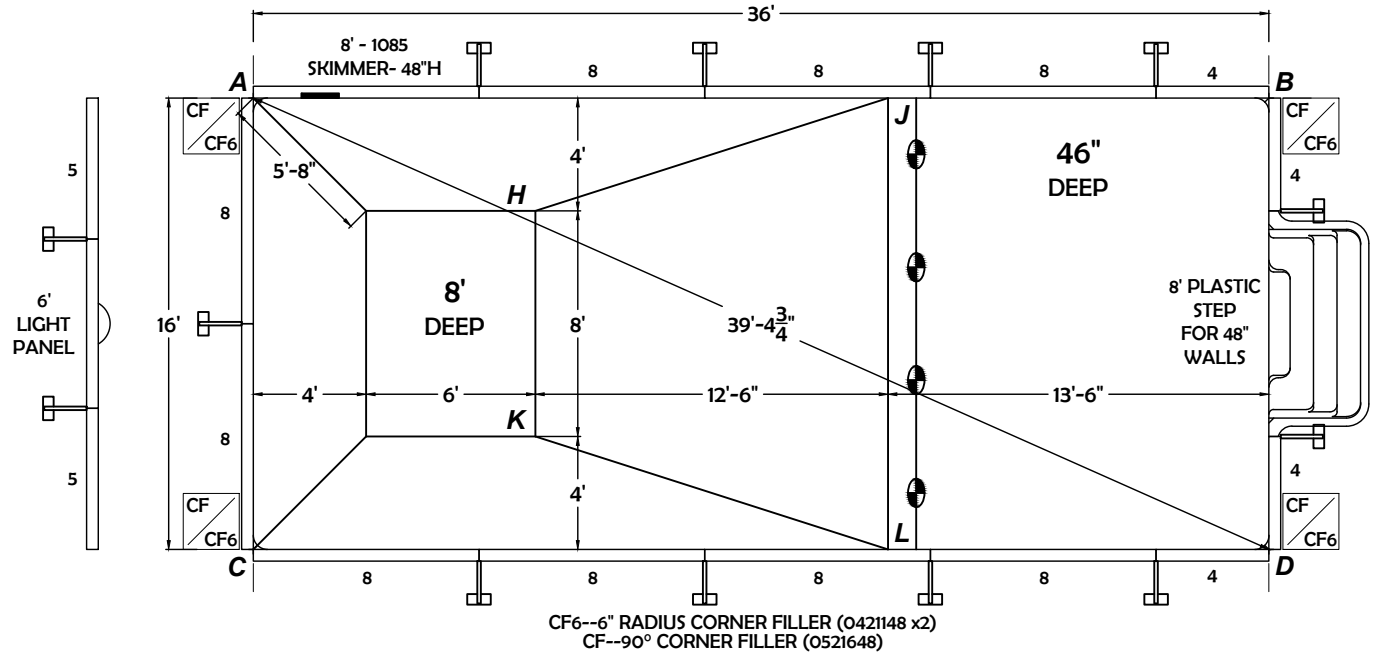


**DIVING PERMITTED ONLY FROM DESIGNATED DIVING AREA**

The bottom configuration shown conforms with the current ISPSC & ANSI / APSP / ICC suggested minimum standards for pools approved for use with manufactured diving equipment

**WARNING:** Swimming pools can be dangerous if used improperly. Consult your dealer for information on safe use. It's the responsibility of town officials, builders and homeowners to follow safety recommendations of APSP/ANSI, local ordinances & equipment manufacturers.

- All work not specifically shown here is to be done in accordance with the requirements of the 2024 INTERNATIONAL SWIMMING POOL & SPA CODE, APSP/ANSI/ICC-5 2011 STANDARDS FOR RESIDENTIAL INGROUND SWIMMING POOLS, and all other local building codes.
- Construction Drawing: Different methods and precautions may be dictated by various ground conditions. This is to be determined by and is the responsibility of the contractor who is not an agent of the manufacturer of the component parts.
- Depth and shape of the pool meet minimum standards of the 2024 INTERNATIONAL SWIMMING POOL & SPA CODE and the APSP/ANSI/ICC-5 2011 STANDARDS FOR RESIDENTIAL INGROUND SWIMMING POOLS.
- A means of entry & exit for the deep end & shallow end of the pool must be provided in accordance with 2024 INTERNATIONAL SWIMMING POOL & SPA CODE, section 809.
- Equipotential bonding must be provided in accordance with the NATIONAL ELECTRIC CODE, NFPA 70.
- All A-frame braces are to be contained within an 8" thick continuous poured concrete (2500 psi) perimeter collar.
- Backfill with clean earth, free of roots and debris.
- Finished bottom is to be 2" minimum of suitable material or undisturbed earth.
- 3' wide, 3" thick concrete deck is to be poured at a slope of 1/4" to 1' away from the pool.
- NO DIVING labels are to be installed around the perimeter of the pool.
- A safety line, with buoys, is to be permanently attached 10" to the shallow side of the point of first slope change.
- Suction entrapment avoidance to be installed in accordance with APSP/ANSI/ICC-7
- Pool Coping/Deck is within 12" of the designated waterline, this satisfies requirement for handholds per ISPSC 2024 SECTION 323.1.



FROM A TO:	FROM B TO:	FROM C TO:	FROM D TO:
D 39'-4 3/4"	C 39'-4 3/4"	B 39'-4 3/4"	A 39'-4 3/4"
H 10'-9 1/4"	H 26'-3 3/4"	H 15'-7 1/2"	H 28'-7 3/4"
J 22'-6"	J 13'-6"	J 27'-7 1/4"	J 20'-11 1/4"
K 15'-7 1/2"	K 28'-7 3/4"	K 10'-9 1/4"	K 26'-3 3/4"
L 27'-7 1/4"	L 20'-11 1/4"	L 22'-6"	L 13'-6"

Customer Signature: \_\_\_\_\_ Date: \_\_\_\_\_

Corner Type: 90°  6"R

Dealer: \_\_\_\_\_

Job Name: \_\_\_\_\_

**INSTALLATION NOTE:**  
 Substitute (1) - 90° Corner Fillers (#0521648) in place of (2) 6"R Corner Fillers for 90° corner pool option.  
 See page A1 Steel Corner Filler specifications  
 Installer **MUST** specify what type of corners (90° OR 6"R) are desired when ordering both the pool and liner.

# STEEL 48" WALL PANELS

## 16' x 36' 90° OR 6"R CORNER RECTANGLE

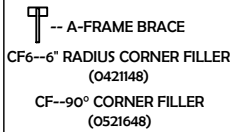
### BILL OF MATERIALS

QUANTITY	DESCRIPTION	Item #
4	4' PLAIN PANEL - 48"	0411048
0	5' PLAIN PANEL - 48"	0410748
0	6' LIGHT PANEL - 48"	05112L48
1	8' NEXUS STEEL STAIR FOR 48" WALL COMPLETE W/ BEAD & HARDWARE	04188BN548
7	8' PLAIN PANEL	0510248
1	8' SKIMMER PANEL- 1085 - 48"	0510448
2	8' RETURN PANEL - 48"	0510848
4	90° FILLER - 48" (OPTIONAL)	0521648
1	90° RECT. STAIR FILLER LEFT - 48"	04206UH48
1	90° RECT. STAIR FILLER RIGHT - 48"	04207UH48
9	A-FRAME	VARIES
8	DIAG. 6" RADIUS CORNER FILLER (2 REQ. PER CORNER) - 48"	0421148
1	75 PACK HEX BOLT AND WASHER	PAK75
1	100 PACK HEX BOLT AND WASHER	PAK100

#### ALL DIMENSIONS ARE FINISH DIMENSIONS

\*\* see page Appendix for all stair specifications

\*\* see page A1 Steel Corner Filler specifications

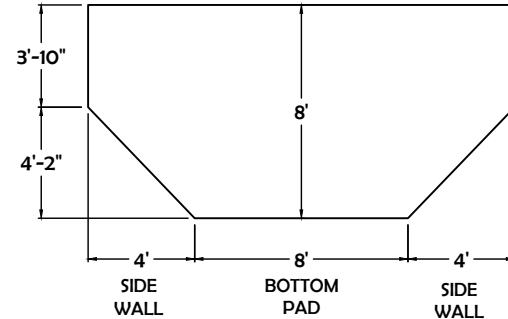
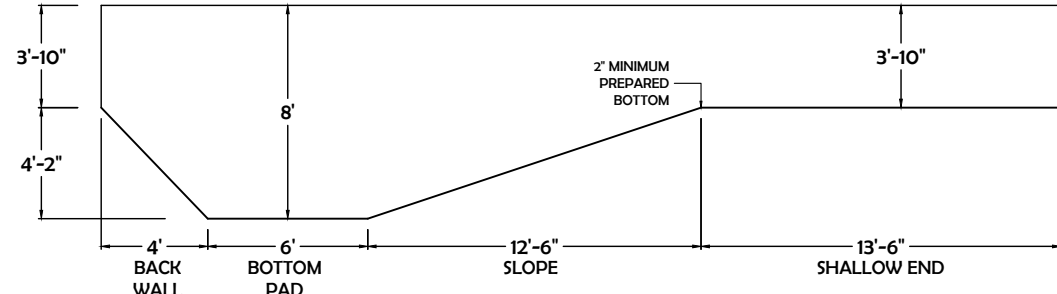
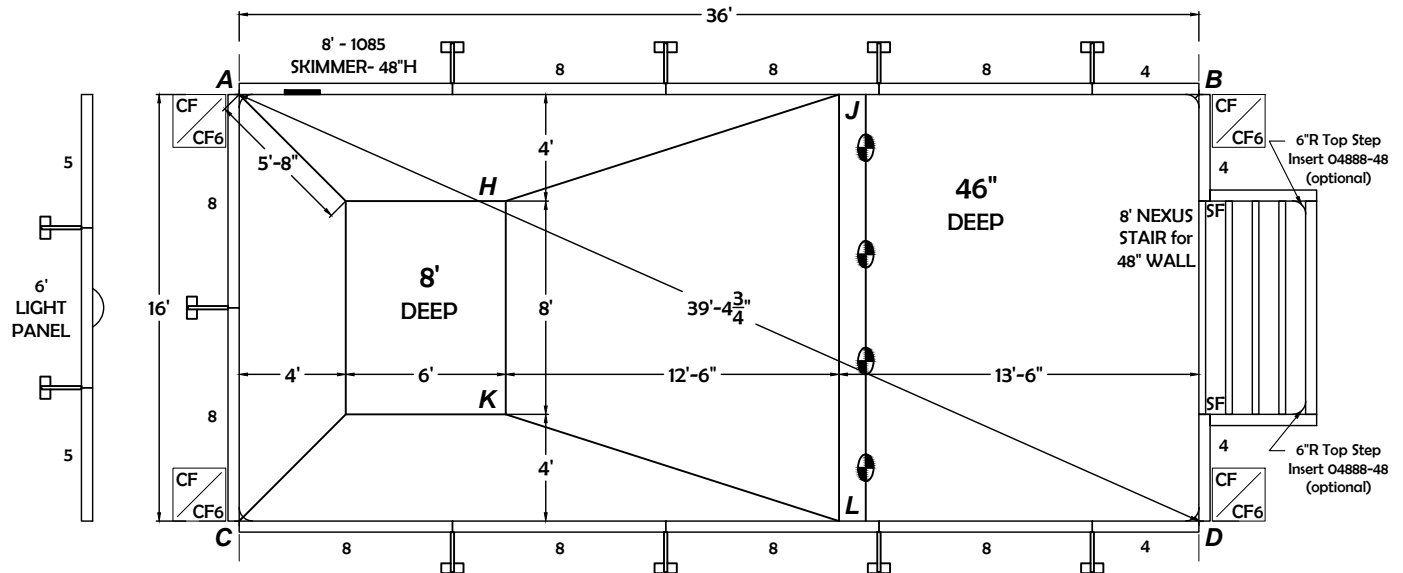


#### DIVING PERMITTED ONLY FROM DESIGNATED DIVING AREA

The bottom configuration shown conforms with the current ISPSC & ANSI / APSP / ICC suggested minimum standards for pools approved for use with manufactured diving equipment

**WARNING:** Swimming pools can be dangerous if used improperly. Consult your dealer for information on safe use. It's the responsibility of town officials, builders and homeowners to follow safety recommendations of APSP/ANSI, local ordinances & equipment manufacturers.

- All work not specifically shown here is to be done in accordance with the requirements of the 2024 INTERNATIONAL SWIMMING POOL & SPA CODE, APSP/ANSI/ICC-5 2011 STANDARDS FOR RESIDENTIAL INGROUND SWIMMING POOLS, and all other local building codes.
- Construction Drawing: Different methods and precautions may be dictated by various ground conditions. This is to be determined by and is the responsibility of the contractor who is not an agent of the manufacturer of the component parts.
- Depth and shape of the pool meet minimum standards of the 2024 INTERNATIONAL SWIMMING POOL & SPA CODE and the APSP/ANSI/ICC-5 2011 STANDARDS FOR RESIDENTIAL INGROUND SWIMMING POOLS.
- A means of entry & exit for the deep end & shallow end of the pool must be provided in accordance with 2024 INTERNATIONAL SWIMMING POOL & SPA CODE, section 809.
- Equipotential bonding must be provided in accordance with the NATIONAL ELECTRIC CODE, NFPA 70.
- All A-frame braces are to be contained within an 8" thick continuous poured concrete (2500 psi) perimeter collar.
- Backfill with clean earth, free of roots and debris.
- Finished bottom is to be 2" minimum of suitable material or undisturbed earth.
- 3' wide, 3" thick concrete deck is to be poured at a slope of 1/4" to 1' away from the pool.
- NO DIVING labels are to be installed around the perimeter of the pool.
- A safety line, with buoys, is to be permanently attached 1'0" to the shallow side of the point of first slope change.
- Suction entrapment avoidance to be installed in accordance with APSP/ANSI/ICC-7
- Pool Coping/Deck is within 12" of the designated waterline, this satisfies requirement for handholds per ISPSC 2024 SECTION 323.1.



FROM A TO:	FROM B TO:	FROM C TO:	FROM D TO:
D 39'-4 3/4"	C 39'-4 3/4"	B 39'-4 3/4"	A 39'-4 3/4"
H 10'-9 1/4"	H 26'-3 3/4"	H 15'-7 1/2"	H 28'-7 3/4"
J 22'-6"	J 13'-6"	J 27'-7 1/4"	J 20'-11 1/4"
K 15'-7 1/2"	K 28'-7 3/4"	K 10'-9 1/4"	K 26'-3 3/4"
L 27'-7 1/4"	L 20'-11 1/4"	L 22'-6"	L 13'-6"

SF--RECTANGLE STAIR FILLER (04206UH48 / 04207UH48)  
 CF6--6" RADIUS CORNER FILLER (0421148 x2)  
 CF--90° CORNER FILLER (0521648)

Customer Signature:	Date:	Corner Type	90° <input type="checkbox"/> 6"R <input type="checkbox"/>	<b>INSTALLATION NOTE:</b> Substitute (1) - 90° Corner Fillers (#0521648) in place of (2) 6"R Corner Fillers for 90° corner pool option. See page A1 Steel Corner Filler specifications  Installer <b>MUST</b> specify what type of corners (90° OR 6"R) are desired when ordering both the pool and liner.
		Dealer:		
		Job Name:		

# STEEL 48" WALL PANELS

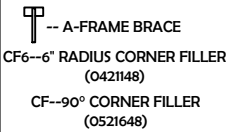
## 16' x 36' 90° OR 6"R CORNER RECTANGLE (3 CORNER RIGHT)

### BILL OF MATERIALS

QUANTITY	DESCRIPTION	Item #
2	4' PLAIN PANEL - 48"	0411048
0	5' PLAIN PANEL - 48"	0410748
1	5" STEEL & NEXUS STAIR FILLER - 48"	0412048
0	6' LIGHT PANEL - 48"	05112L48
1	8' NEXUS STEEL STAIR FOR 48" WALL COMPLETE W/ BEAD & HARDWARE	04188BNS48
6	8' PLAIN PANEL	0510248
1	8' SKIMMER PANEL- 1085 - 48"	0510448
2	8' RETURN PANEL - 48"	0510848
3	90° FILLER - 48" (OPTIONAL)	0521648
1	90° RECT. STAIR FILLER RIGHT - 48"	04207UH48
10	A-FRAME	VARIES
6	DIAG. 6" RADIUS CORNER FILLER (2 REQ. PER CORNER) - 48"	0421148
1	75 PACK HEX BOLT AND WASHER	PAK75
1	100 PACK HEX BOLT AND WASHER	PAK100

**ALL DIMENSIONS ARE FINISH DIMENSIONS**

\*\* see page Appendix for all stair specifications  
 \*\* see page A1 Steel Corner Filler specifications

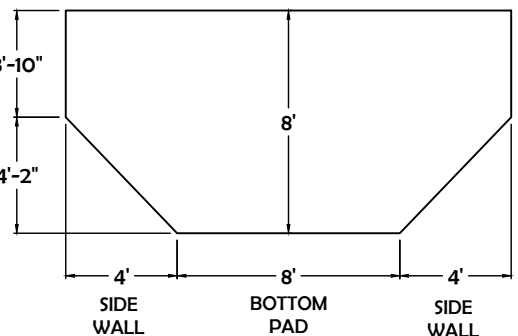
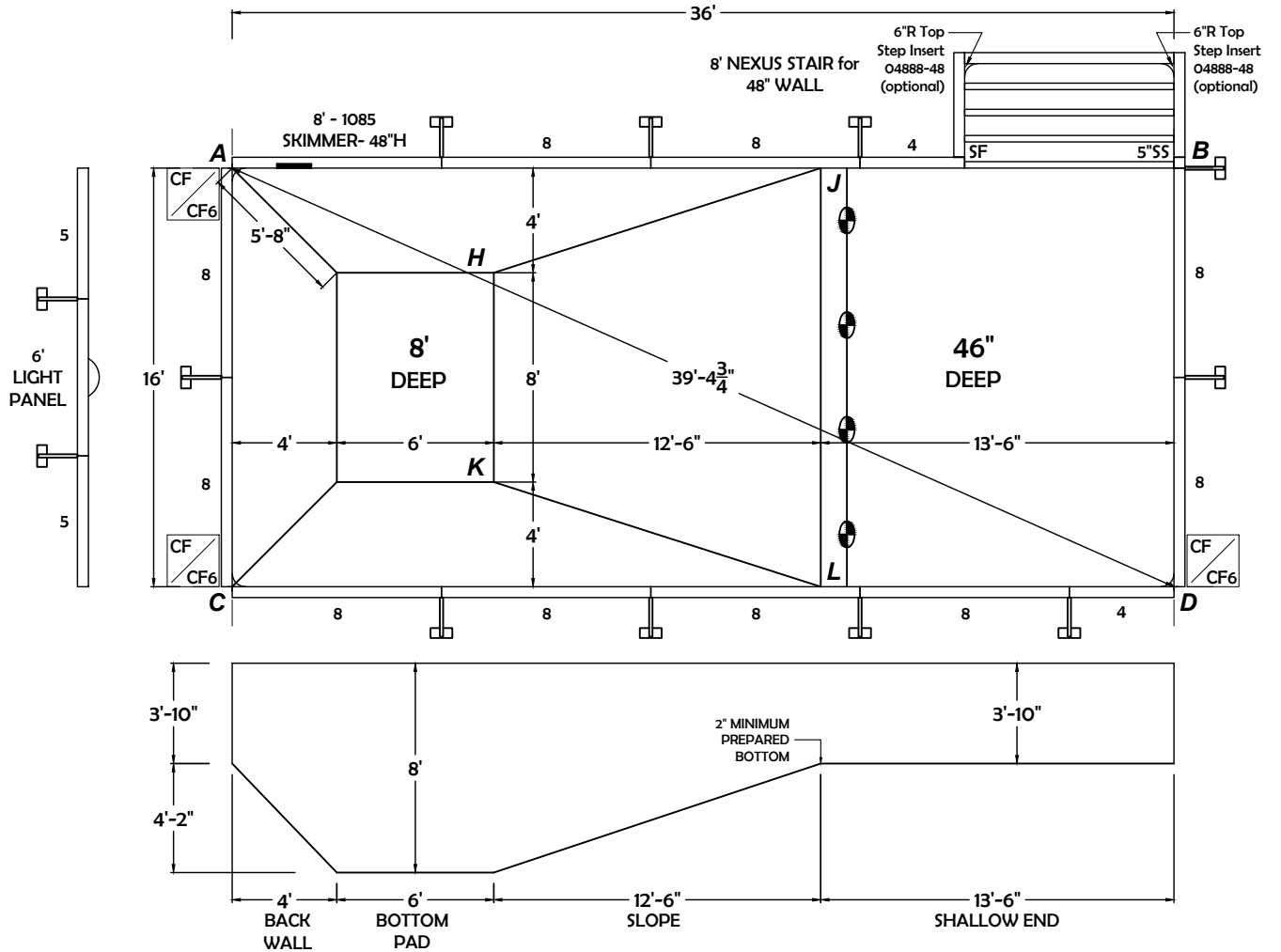


**DIVING PERMITTED ONLY FROM DESIGNATED DIVING AREA**

The bottom configuration shown conforms with the current ISPSC & ANSI / APSP / ICC suggested minimum standards for pools approved for use with manufactured diving equipment

**WARNING:** Swimming pools can be dangerous if used improperly. Consult your dealer for information on safe use. It's the responsibility of town officials, builders and homeowners to follow safety recommendations of APSP/ANSI, local ordinances & equipment manufacturers.

- All work not specifically shown here is to be done in accordance with the requirements of the 2024 INTERNATIONAL SWIMMING POOL & SPA CODE, APSP/ANSI/ICC-5 2011 STANDARDS FOR RESIDENTIAL INGROUND SWIMMING POOLS, and all other local building codes.
- Construction Drawing: Different methods and precautions may be dictated by various ground conditions. This is to be determined by and is the responsibility of the contractor who is not an agent of the manufacturer of the component parts.
- Depth and shape of the pool meet minimum standards of the 2024 INTERNATIONAL SWIMMING POOL & SPA CODE and the APSP/ANSI/ICC-5 2011 STANDARDS FOR RESIDENTIAL INGROUND SWIMMING POOLS.
- A means of entry & exit for the deep end & shallow end of the pool must be provided in accordance with 2024 INTERNATIONAL SWIMMING POOL & SPA CODE, section 809.
- Equipotential bonding must be provided in accordance with the NATIONAL ELECTRIC CODE, NFPA 70.
- All A-frame braces are to be contained within an 8" thick continuous poured concrete (2500 psi) perimeter collar.
- Backfill with clean earth, free of roots and debris.
- Finished bottom is to be 2" minimum of suitable material or undisturbed earth.
- 3' wide, 3" thick concrete deck is to be poured at a slope of 1/4" to 1' away from the pool.
- NO DIVING labels are to be installed around the perimeter of the pool.
- A safety line, with buoys, is to be permanently attached 10" to the shallow side of the point of first slope change.
- Suction entrapment avoidance to be installed in accordance with APSP/ANSI/ICC-7
- Pool Coping/Deck is within 12" of the designated waterline, this satisfies requirement for handholds per ISPSC 2024 SECTION 323.1.



FROM A TO:	FROM B TO:	FROM C TO:	FROM D TO:
D 39'-4 3/4"	C 39'-4 3/4"	B 39'-4 3/4"	A 39'-4 3/4"
H 10'-9 1/4"	H 26'-3 3/4"	H 15'-7 1/2"	H 28'-7 3/4"
J 22'-6"	J 13'-6"	J 27'-7 1/4"	J 20'-11 1/4"
K 15'-7 1/2"	K 28'-7 3/4"	K 10'-9 1/4"	K 26'-3 3/4"
L 27'-7 1/4"	L 20'-11 1/4"	L 22'-6"	L 13'-6"

SF--RECTANGLE STAIR FILLER (04206UH48 / 04207UH48)  
 5"SS--5" STEEL & NEXUS STAIR FILLER (0412048)  
 CF6--6" RADIUS CORNER FILLER (0421148 x2)  
 CF--90° CORNER FILLER (0521648)

Customer Signature:	Date:	Corner Type	90° <input type="checkbox"/> 6"R <input type="checkbox"/>	<b>INSTALLATION NOTE:</b> Substitute (1) - 90° Corner Fillers (#0521648) in place of (2) 6"R Corner Fillers for 90° corner pool option. See page A1 Steel Corner Filler specifications  Installer <b>MUST</b> specify what type of corners (90° OR 6"R) are desired when ordering both the pool and liner.
		Dealer:		
		Job Name:		



# STEEL 48" WALL PANELS

## 16' x 36' 90° OR 6"R CORNER RECTANGLE (3 CORNER LEFT)

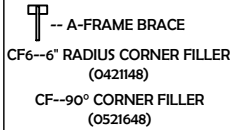
### BILL OF MATERIALS

QUANTITY	DESCRIPTION	Item #
2	4' PLAIN PANEL - 48"	0411048
0	5' PLAIN PANEL - 48"	0410748
1	5" STEEL & NEXUS STAIR FILLER - 48"	0412048
0	6' LIGHT PANEL - 48"	05112L48
1	8' NEXUS STEEL STAIR FOR 48" WALL COMPLETE W/ BEAD & HARDWARE	04188BNS48
8	8' PLAIN PANEL	0510248
1	8' SKIMMER PANEL- 1085 - 48"	0510448
2	8' RETURN PANEL - 48"	0510848
3	90° FILLER - 48" (OPTIONAL)	0521648
1	90° RECT. STAIR FILLER LEFT- 48"	04206UH48
10	A-FRAME	VARIES
6	DIAG. 6" RADIUS CORNER FILLER (2 REQ. PER CORNER) - 48"	0421148
1	75 PACK HEX BOLT AND WASHER	PAK75
1	100 PACK HEX BOLT AND WASHER	PAK100

**ALL DIMENSIONS ARE FINISH DIMENSIONS**

\*\* see page Appendix for all stair specifications

\*\* see page A1 Steel Corner Filler specifications

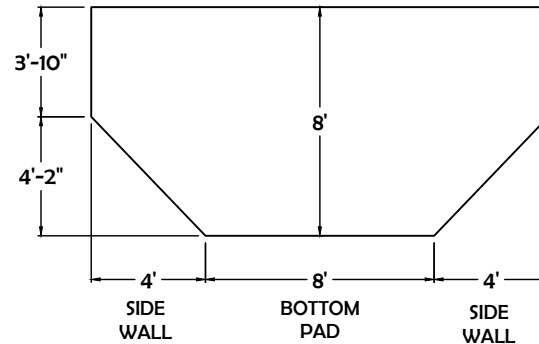
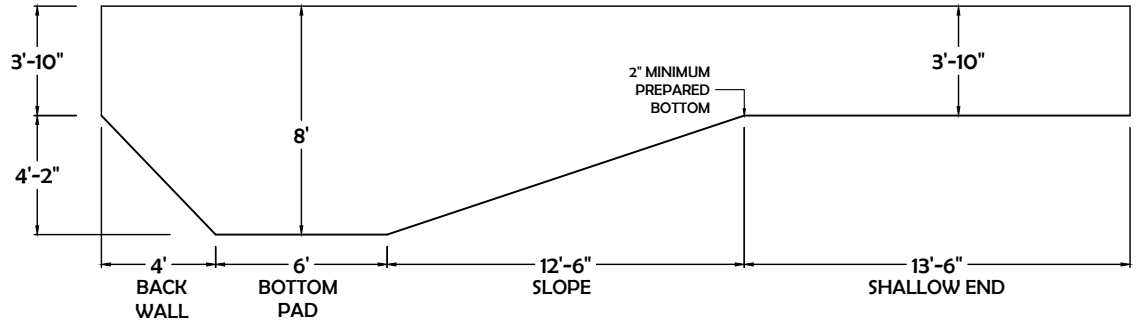
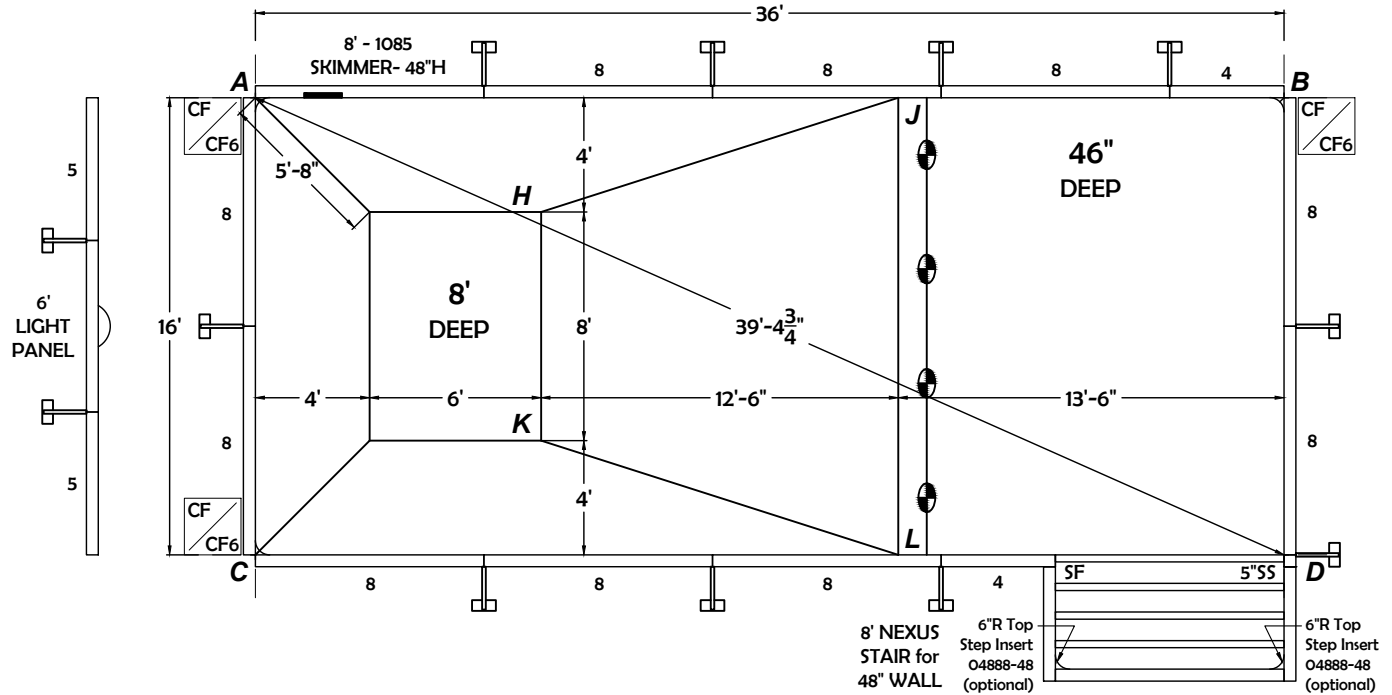


**DIVING PERMITTED ONLY FROM DESIGNATED DIVING AREA**

The bottom configuration shown conforms with the current ISPSC & ANSI / APSP / ICC suggested minimum standards for pools approved for use with manufactured diving equipment

**WARNING:** Swimming pools can be dangerous if used improperly. Consult your dealer for information on safe use. It's the responsibility of town officials, builders and homeowners to follow safety recommendations of APSP/ANSI, local ordinances & equipment manufacturers.

- All work not specifically shown here is to be done in accordance with the requirements of the 2024 INTERNATIONAL SWIMMING POOL & SPA CODE, APSP/ANSI/ICC-5 2011 STANDARDS FOR RESIDENTIAL INGROUND SWIMMING POOLS, and all other local building codes.
- Construction Drawing: Different methods and precautions may be dictated by various ground conditions. This is to be determined by and is the responsibility of the contractor who is not an agent of the manufacturer of the component parts.
- Depth and shape of the pool meet minimum standards of the 2024 INTERNATIONAL SWIMMING POOL & SPA CODE and the APSP/ANSI/ICC-5 2011 STANDARDS FOR RESIDENTIAL INGROUND SWIMMING POOLS.
- A means of entry & exit for the deep end & shallow end of the pool must be provided in accordance with 2024 INTERNATIONAL SWIMMING POOL & SPA CODE, section 809.
- Equipotential bonding must be provided in accordance with the NATIONAL ELECTRIC CODE, NFPA 70.
- All A-frame braces are to be contained within an 8" thick continuous poured concrete (2500 psi) perimeter collar.
- Backfill with clean earth, free of roots and debris.
- Finished bottom is to be 2" minimum of suitable material or undisturbed earth.
- 3' wide, 3" thick concrete deck is to be poured at a slope of 1/4" to 1' away from the pool.
- NO DIVING labels are to be installed around the perimeter of the pool.
- A safety line, with buoys, is to be permanently attached 10" to the shallow side of the point of first slope change.
- Suction entrapment avoidance to be installed in accordance with APSP/ANSI/ICC-7
- Pool Coping/Deck is within 12" of the designated waterline, this satisfies requirement for handholds per ISPSC 2024 SECTION 323.1.



FROM A TO:	FROM B TO:	FROM C TO:	FROM D TO:
D 39'-4 3/4"	C 39'-4 3/4"	B 39'-4 3/4"	A 39'-4 3/4"
H 10'-9 1/4"	H 26'-3 3/4"	H 15'-7 1/2"	H 28'-7 3/4"
J 22'-6"	J 13'-6"	J 27'-7 1/4"	J 20'-11 1/4"
K 15'-7 1/2"	K 28'-7 3/4"	K 10'-9 1/4"	K 26'-3 3/4"
L 27'-7 1/4"	L 20'-11 1/4"	L 22'-6"	L 13'-6"

SF--RECTANGLE STAIR FILLER (04206UH48 / 04207UH48)  
 5"SS--5" STEEL & NEXUS STAIR FILLER (0412048)  
 CF6--6" RADIUS CORNER FILLER (0421148 x2)  
 CF--90° CORNER FILLER (0521648)

Customer Signature:	Date:	Corner Type	90° <input type="checkbox"/> 6"R <input type="checkbox"/>	<b>INSTALLATION NOTE:</b> Substitute (1) - 90° Corner Fillers (#0521648) in place of (2) 6"R Corner Fillers for 90° corner pool option. See page A1 Steel Corner Filler specifications  Installer <b>MUST</b> specify what type of corners (90° OR 6"R) are desired when ordering both the pool and liner.
		Dealer:		
		Job Name:		

# STEEL 48" WALL PANELS

## 16' x 36' 90° OR 6"R CORNER RECTANGLE

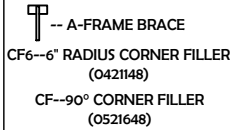
### BILL OF MATERIALS

QUANTITY	DESCRIPTION	Item #
1	16' NEXUS STAIR for 48" WALLS	O4518BN548
0	5' PLAIN PANEL - 48"	O410748
0	6' LIGHT PANEL - 48"	O5112L48
7	8' PLAIN PANEL	O510248
1	8' SKIMMER PANEL - 1085 - 48"	O510448
2	8' RETURN PANEL - 48"	O510848
2	90° FILLER - 48" (OPTIONAL)	O521648
10	A-FRAME	VARIES
4	DIAG. 6" RADIUS CORNER FILLER (2 REQ. PER CORNER) - 48"	O421148
1	75 PACK HEX BOLT AND WASHER	PAK75
1	100 PACK HEX BOLT AND WASHER	PAK100

**ALL DIMENSIONS ARE FINISH DIMENSIONS**

\*\* see page Appendix for all stair specifications

\*\* see page A1 Steel Corner Filler specifications

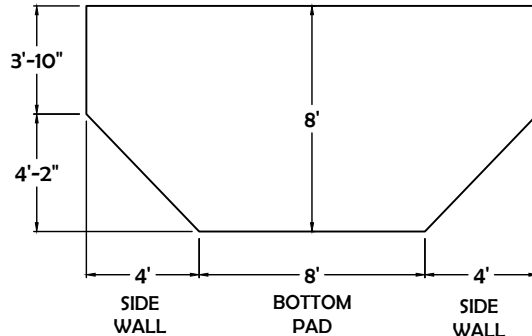
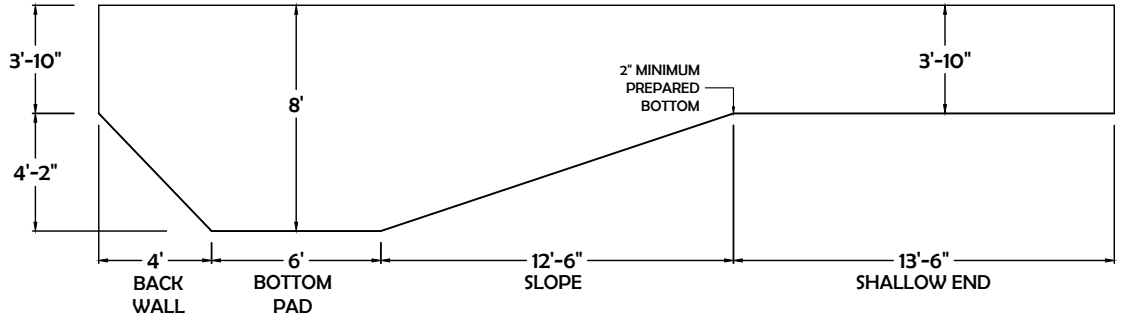
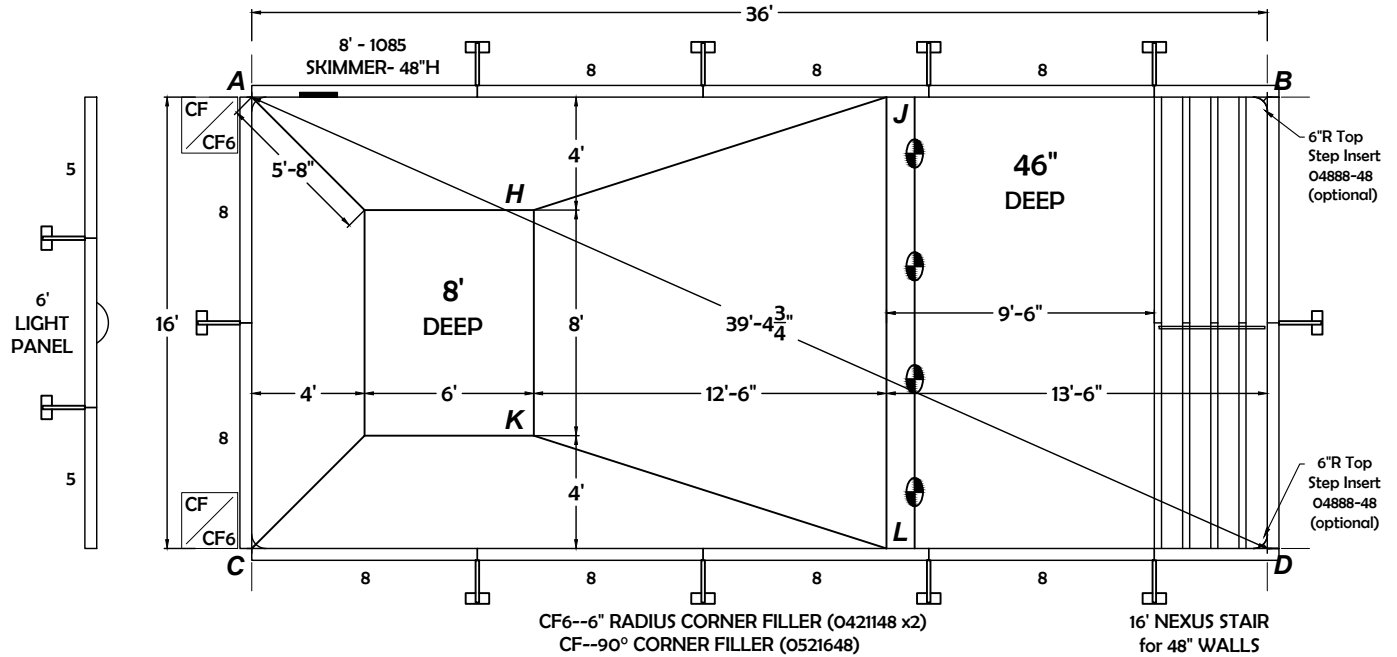


**DIVING PERMITTED ONLY FROM DESIGNATED DIVING AREA**

The bottom configuration shown conforms with the current ISPSC & ANSI / APSP / ICC suggested minimum standards for pools approved for use with manufactured diving equipment

**WARNING:** Swimming pools can be dangerous if used improperly. Consult your dealer for information on safe use. It's the responsibility of town officials, builders and homeowners to follow safety recommendations of APSP/ANSI, local ordinances & equipment manufacturers.

- All work not specifically shown here is to be done in accordance with the requirements of the 2024 INTERNATIONAL SWIMMING POOL & SPA CODE, APSP/ANSI/ICC-5 2011 STANDARDS FOR RESIDENTIAL INGROUND SWIMMING POOLS, and all other local building codes.
- Construction Drawing: Different methods and precautions may be dictated by various ground conditions. This is to be determined by and is the responsibility of the contractor who is not an agent of the manufacturer of the component parts.
- Depth and shape of the pool meet minimum standards of the 2024 INTERNATIONAL SWIMMING POOL & SPA CODE and the APSP/ANSI/ICC-5 2011 STANDARDS FOR RESIDENTIAL INGROUND SWIMMING POOLS.
- A means of entry & exit for the deep end & shallow end of the pool must be provided in accordance with 2024 INTERNATIONAL SWIMMING POOL & SPA CODE, section 809.
- Equipotential bonding must be provided in accordance with the NATIONAL ELECTRIC CODE, NFPA 70.
- All A-frame braces are to be contained within an 8" thick continuous poured concrete (2500 psi) perimeter collar.
- Backfill with clean earth, free of roots and debris.
- Finished bottom is to be 2" minimum of suitable material or undisturbed earth.
- 3' wide, 3" thick concrete deck is to be poured at a slope of 1/4" to 1' away from the pool.
- NO DIVING labels are to be installed around the perimeter of the pool.
- A safety line, with buoys, is to be permanently attached 10' to the shallow side of the point of first slope change.
- Suction entrapment avoidance to be installed in accordance with APSP/ANSI/ICC-7
- Pool Coping/Deck is within 12" of the designated waterline, this satisfies requirement for handholds per ISPSC 2024 SECTION 323.1.



	FROM A TO:	FROM B TO:	FROM C TO:	FROM D TO:			
D	39'-4 3/4"	C	39'-4 3/4"	B	39'-4 3/4"	A	39'-4 3/4"
H	10'-9 1/4"	H	26'-3 3/4"	H	15'-7 1/2"	H	28'-7 3/4"
J	22'-6"	J	13'-6"	J	27'-7 1/4"	J	20'-11 1/4"
K	15'-7 1/2"	K	28'-7 3/4"	K	10'-9 1/4"	K	26'-3 3/4"
L	27'-7 1/4"	L	20'-11 1/4"	L	22'-6"	L	13'-6"

Customer  
Signature:

Date:

Corner  
Type

90°

6"R

Dealer:

Job Name:

**INSTALLATION NOTE:**

Substitute (1) - 90° Corner Fillers (#0521648) in place of (2) 6"R Corner Fillers for 90° corner pool option. See page A1 Steel Corner Filler specifications

Installer **MUST** specify what type of corners (90° OR 6"R) are desired when ordering both the pool and liner.

# STEEL 48" WALL PANELS

## 16' x 32' 90° OR 6"R CORNER RECTANGLE

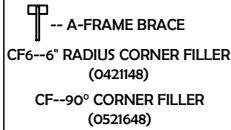
### BILL OF MATERIALS

QUANTITY	DESCRIPTION	Item #
1	16' NEXUS STAIR w/ SD for 48" WALL	O4V51690-24B-48
2	3' PLAIN PANEL - 48"	O411348
2	5' PLAIN PANEL - 48"	O410748
0	6' LIGHT PANEL - 48"	O5112L48
5	8' PLAIN PANEL	O510248
1	8' SKIMMER PANEL- 1085 - 48"	O510448
2	8' RETURN PANEL - 48"	O510848
2	90° FILLER - 48" (OPTIONAL)	O521648
14	A-FRAME	VARIES
4	DIAG. 6" RADIUS CORNER FILLER (2 REQ. PER CORNER) - 48"	O421148
1	75 PACK HEX BOLT AND WASHER	PAK75
1	100 PACK HEX BOLT AND WASHER	PAK100

**ALL DIMENSIONS ARE FINISH DIMENSIONS**

\*\* see page Appendix for all stair specifications

\*\* see page A1 Steel Corner Filler specifications

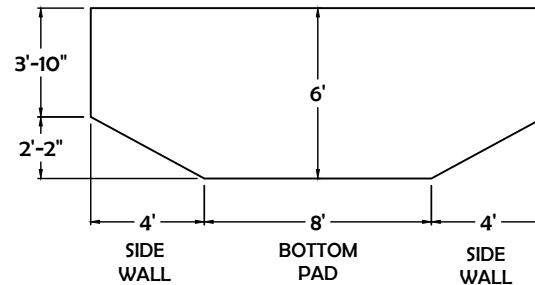
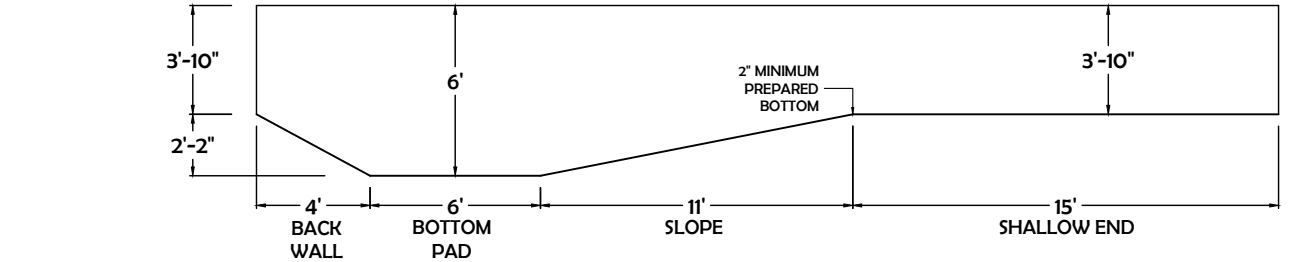
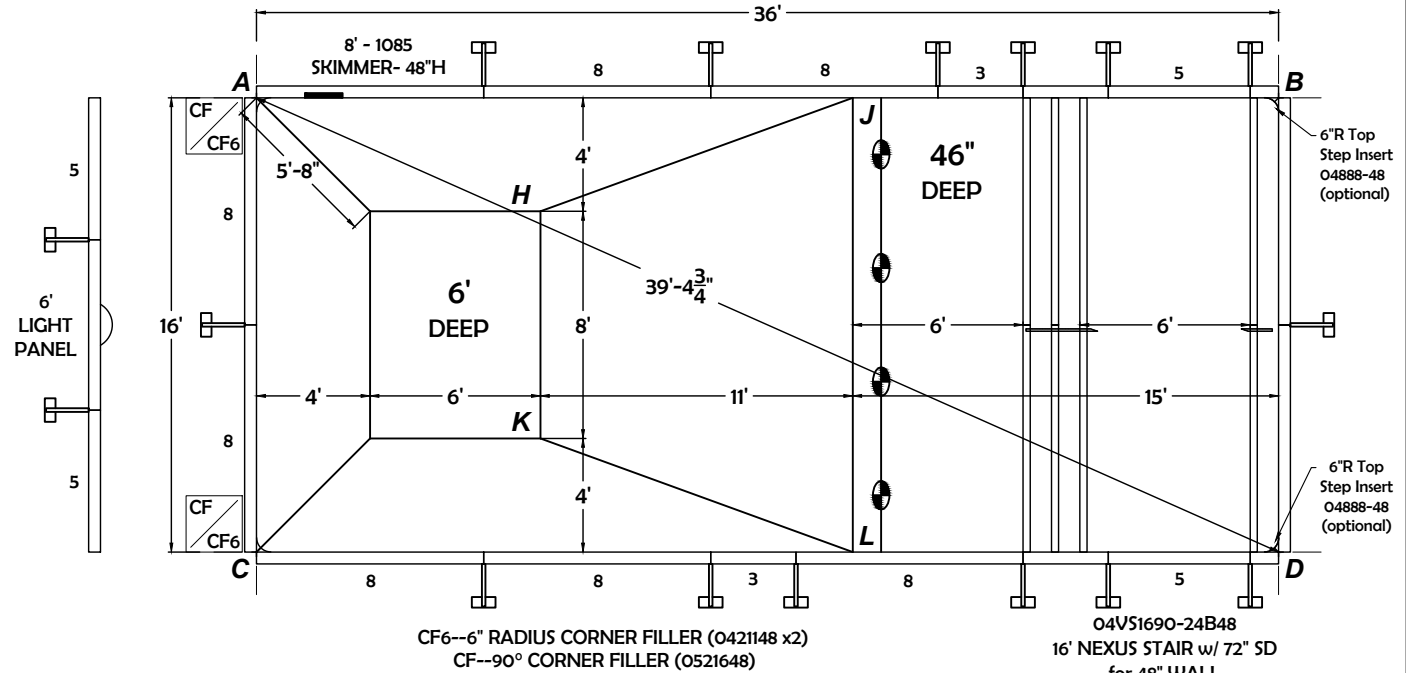


### NO DIVING PERMITTED INTO THIS POOL

The bottom configuration shown conforms with the current ISPSC & ANSI / APSP / ICC suggested minimum standards for pools NOT approved for diving.

**WARNING:** Swimming pools can be dangerous if used improperly. Consult your dealer for information on safe use. It's the responsibility of town officials, builders and homeowners to follow safety recommendations of APSP/ANSI, local ordinances & equipment manufacturers.

- All work not specifically shown here is to be done in accordance with the requirements of the 2024 INTERNATIONAL SWIMMING POOL & SPA CODE, APSP/ANSI/ICC-5 2011 STANDARDS FOR RESIDENTIAL INGROUND SWIMMING POOLS, and all other local building codes.
- Construction Drawing: Different methods and precautions may be dictated by various ground conditions. This is to be determined by and is the responsibility of the contractor who is not an agent of the manufacturer of the component parts.
- Depth and shape of the pool meet minimum standards of the 2024 INTERNATIONAL SWIMMING POOL & SPA CODE and the APSP/ANSI/ICC-5 2011 STANDARDS FOR RESIDENTIAL INGROUND SWIMMING POOLS.
- A means of entry & exit for the deep end & shallow end of the pool must be provided in accordance with 2024 INTERNATIONAL SWIMMING POOL & SPA CODE, section 809.
- Equipotential bonding must be provided in accordance with the NATIONAL ELECTRIC CODE, NFPA 70.
- All A-frame braces are to be contained within an 8" thick continuous poured concrete (2500 psi) perimeter collar.
- Backfill with clean earth, free of roots and debris.
- Finished bottom is to be 2" minimum of suitable material or undisturbed earth.
- 3' wide, 3" thick concrete deck is to be poured at a slope of 1/4" to 1' away from the pool.
- NO DIVING labels are to be installed around the perimeter of the pool.
- A safety line, with buoys, is to be permanently attached 1'0" to the shallow side of the point of first slope change.
- Suction entrapment avoidance to be installed in accordance with APSP/ANSI/ICC-7
- Pool Coping/Deck is within 12" of the designated waterline, this satisfies requirement for handholds per ISPSC 2024 SECTION 323.1.



FROM A TO:		FROM B TO:		FROM C TO:		FROM D TO:	
D	39'-4 3/4"	C	39'-4 3/4"	B	39'-4 3/4"	A	39'-4 3/4"
H	10'-9 1/4"	H	26'-3 3/4"	H	15'-7 1/2"	H	28'-7 3/4"
J	21'	J	15'	J	26'-4 3/4"	J	21'-11 1/4"
K	15'-7 1/2"	K	28'-7 3/4"	K	10'-9 1/4"	K	26'-3 3/4"
L	26'-4 3/4"	L	21'-11 1/4"	L	21'	L	15'

Customer Signature:	Date:	Corner Type	90° <input type="checkbox"/> 6"R <input type="checkbox"/>	<b>INSTALLATION NOTE:</b> Substitute (1) - 90° Corner Fillers (#0521648) in place of (2) 6"R Corner Fillers for 90° corner pool option. See page A1 Steel Corner Filler specifications  Installer <b>MUST</b> specify what type of corners (90° OR 6"R) are desired when ordering both the pool and liner.
		Dealer:		
		Job Name:		

# STEEL 48" WALL PANELS

## 18' x 36' 90° OR 6"R CORNER RECTANGLE

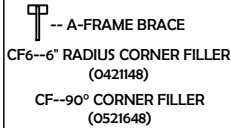
### BILL OF MATERIALS

QUANTITY	DESCRIPTION	Item #
0	2' LIGHT PANEL - 48"	0411548
1	2' PLAIN PANEL - 48"	0411448
2	4' PLAIN PANEL - 48"	0411048
0	5' PLAIN PANEL - 48"	0410748
7	8' PLAIN PANEL	0510248
1	8' SKIMMER PANEL- 1085 - 48"	0510448
2	8' RETURN PANEL - 48"	0510848
1	8' STEP AND REST - 48"	074185NR48
4	90° FILLER - 48" (OPTIONAL)	0521648
12	A-FRAME	VARIES
8	DIAG. 6" RADIUS CORNER FILLER (2 REQ. PER CORNER) - 48"	0421148
3	75 PACK HEX BOLT AND WASHER	PAK75
0	100 PACK HEX BOLT AND WASHER	PAK100

**ALL DIMENSIONS ARE FINISH DIMENSIONS**

\*\* see page Appendix for all stair specifications

\*\* see page A1 Steel Corner Filler specifications

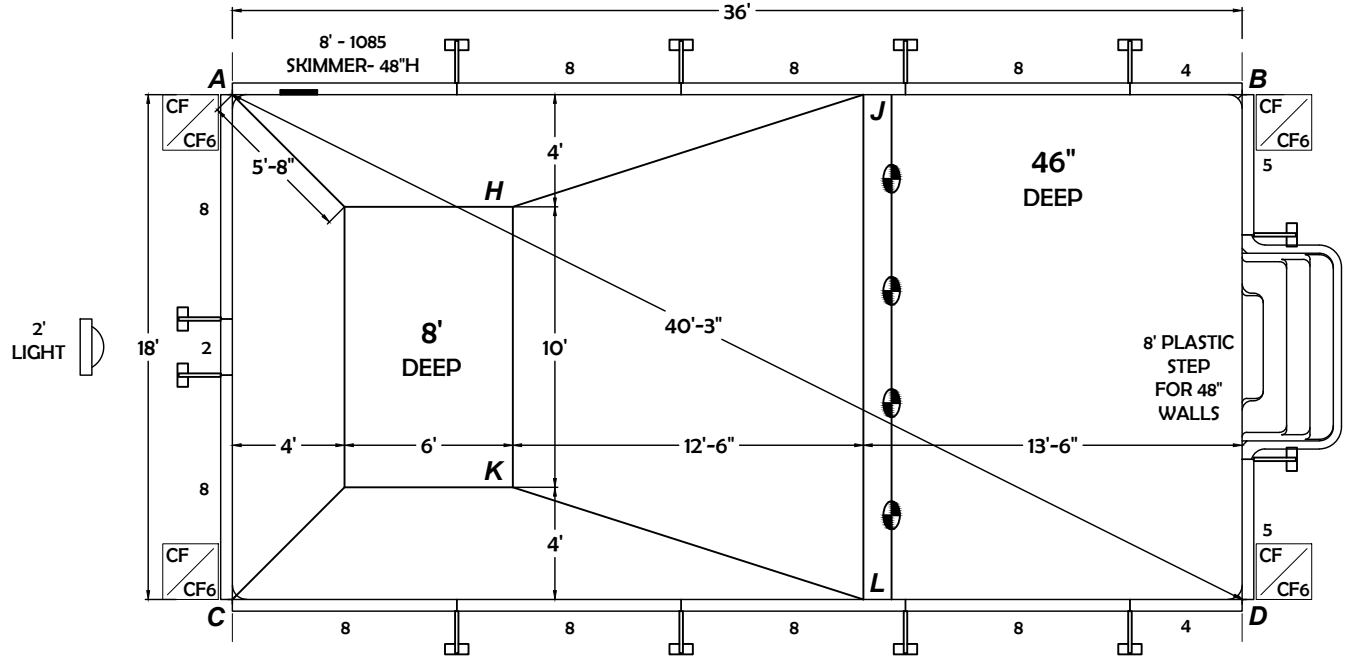


**DIVING PERMITTED ONLY FROM DESIGNATED DIVING AREA**

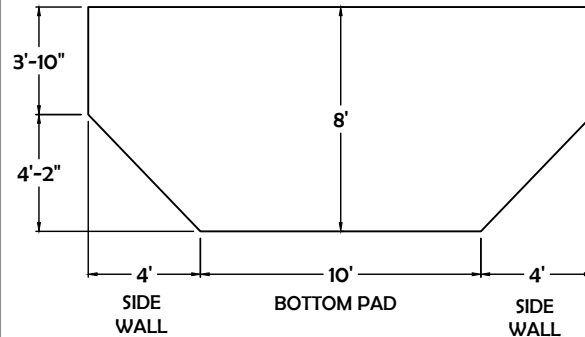
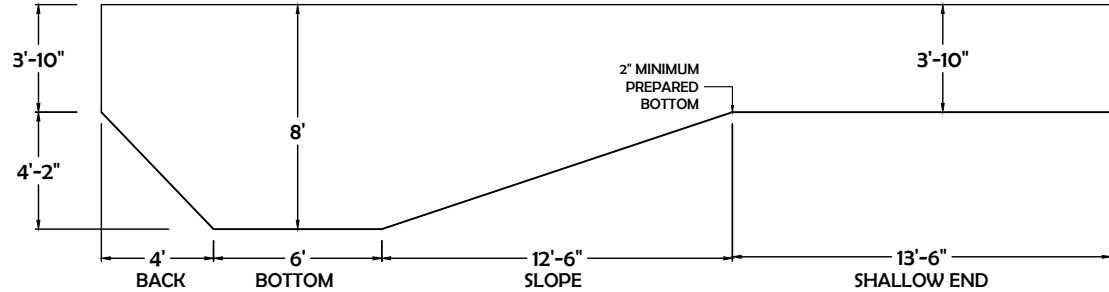
The bottom configuration shown conforms with the current ISPSC & ANSI / APSP / ICC suggested minimum standards for pools approved for use with manufactured diving equipment

**WARNING:** Swimming pools can be dangerous if used improperly. Consult your dealer for information on safe use. It's the responsibility of town officials, builders and homeowners to follow safety recommendations of APSP/ANSI, local ordinances & equipment manufacturers.

- All work not specifically shown here is to be done in accordance with the requirements of the 2024 INTERNATIONAL SWIMMING POOL & SPA CODE, APSP/ANSI/ICC-5 2011 STANDARDS FOR RESIDENTIAL INGROUND SWIMMING POOLS, and all other local building codes.
- Construction Drawing: Different methods and precautions may be dictated by various ground conditions. This is to be determined by and is the responsibility of the contractor who is not an agent of the manufacturer of the component parts.
- Depth and shape of the pool meet minimum standards of the 2024 INTERNATIONAL SWIMMING POOL & SPA CODE and the APSP/ANSI/ICC-5 2011 STANDARDS FOR RESIDENTIAL INGROUND SWIMMING POOLS.
- A means of entry & exit for the deep end & shallow end of the pool must be provided in accordance with 2024 INTERNATIONAL SWIMMING POOL & SPA CODE, section 809.
- Equipotential bonding must be provided in accordance with the NATIONAL ELECTRIC CODE, NFPA 70.
- All A-frame braces are to be contained within an 8" thick continuous poured concrete (2500 psi) perimeter collar.
- Backfill with clean earth, free of roots and debris.
- Finished bottom is to be 2" minimum of suitable material or undisturbed earth.
- 3' wide, 3" thick concrete deck is to be poured at a slope of 1/4" to 1' away from the pool.
- NO DIVING labels are to be installed around the perimeter of the pool.
- A safety line, with buoys, is to be permanently attached 10" to the shallow side of the point of first slope change.
- Suction entrapment avoidance to be installed in accordance with APSP/ANSI/ICC-7
- Pool Coping/Deck is within 12" of the designated waterline, this satisfies requirement for handholds per ISPSC 2024 SECTION 323.1.



CF6--6" RADIUS CORNER FILLER (0421148 x2)  
CF--90° CORNER FILLER (0521648)



FROM A TO:	FROM B TO:	FROM C TO:	FROM D TO:
D 40'-3"	C 40'-3"	B 40'-3"	A 40'-3"
H 10'-9 1/4"	H 26'-3 3/4"	H 17'-2 1/2"	H 29'-6 1/4"
J 22'-6"	J 13'-6"	J 28'-9 3/4"	J 22'-6"
K 17'-2 1/2"	K 29'-6 1/4"	K 10'-9 1/4"	K 26'-3 3/4"
L 28'-9 3/4"	L 22'-6"	L 22'-6"	L 13'-6"

Customer Signature: \_\_\_\_\_ Date: \_\_\_\_\_

Corner Type:  90°  6"R

Dealer: \_\_\_\_\_

Job Name: \_\_\_\_\_

**INSTALLATION NOTE:**  
Substitute (1) - 90° Corner Fillers (#0521648) in place of (2) 6"R Corner Fillers for 90° corner pool option. See page A1 Steel Corner Filler specifications  
Installer **MUST** specify what type of corners (90° OR 6"R) are desired when ordering both the pool and liner.

# STEEL 48" WALL PANELS

## 18' x 36' 90° OR 6"R CORNER RECTANGLE

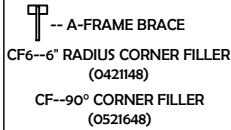
### BILL OF MATERIALS

QUANTITY	DESCRIPTION	Item #
0	2' LIGHT PANEL - 48"	0411548
1	2' PLAIN PANEL - 48"	0411448
2	4' PLAIN PANEL - 48"	0411048
2	5' PLAIN PANEL - 48"	0410748
1	8' NEXUS STEEL STAIR FOR 48" WALL COMPLETE W/ BEAD & HARDWARE	04188BNS48
7	8' PLAIN PANEL	0510248
1	8' SKIMMER PANEL- 1085 - 48"	0510448
2	8' RETURN PANEL - 48"	0510848
4	90° FILLER - 48" (OPTIONAL)	0521648
1	90° RECT. STAIR FILLER LEFT- 48"	04206UH48
1	90° RECT. STAIR FILLER RIGHT - 48"	04207UH48
10	A-FRAME	VARIES
8	DIAG. 6" RADIUS CORNER FILLER (2 REQ. PER CORNER) - 48"	0421148
0	75 PACK HEX BOLT AND WASHER	PAK75
2	100 PACK HEX BOLT AND WASHER	PAK100

**ALL DIMENSIONS ARE FINISH DIMENSIONS**

\*\* see page Appendix for all stair specifications

\*\* see page A1 Steel Corner Filler specifications

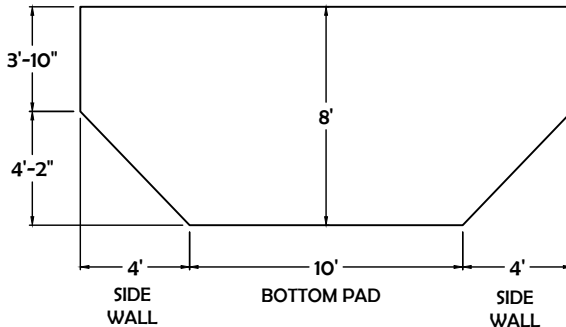
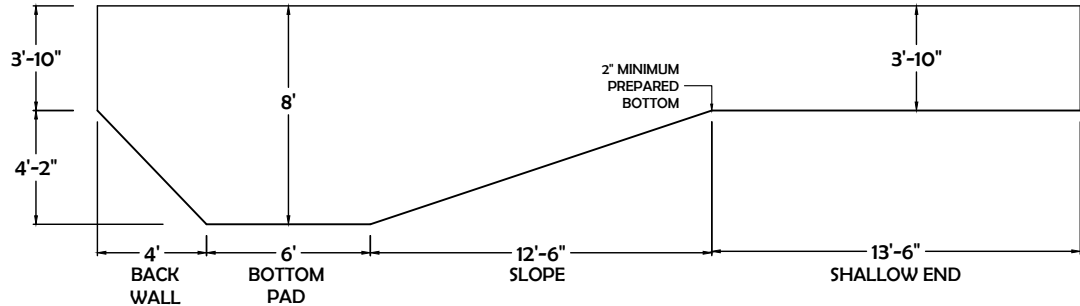
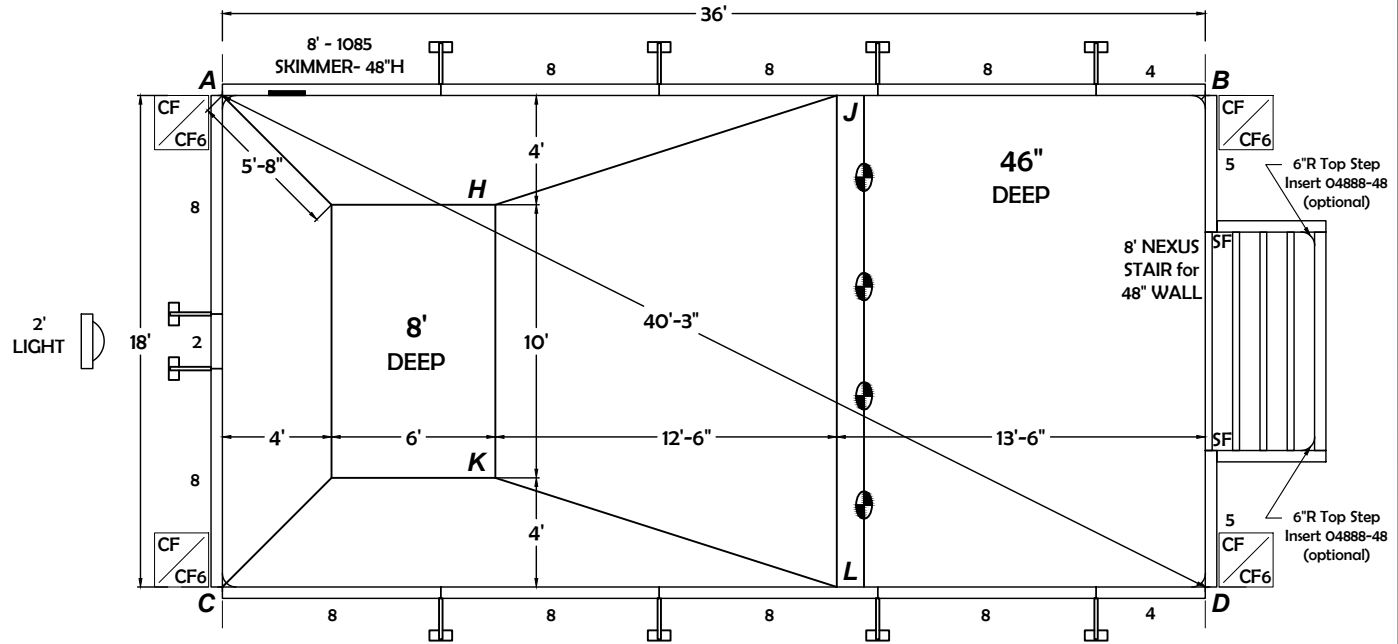


**DIVING PERMITTED ONLY FROM DESIGNATED DIVING AREA**

The bottom configuration shown conforms with the current ISPSC & ANSI / APSP / ICC suggested minimum standards for pools approved for use with manufactured diving equipment

**WARNING:** Swimming pools can be dangerous if used improperly. Consult your dealer for information on safe use. It's the responsibility of town officials, builders and homeowners to follow safety recommendations of APSP/ANSI, local ordinances & equipment manufacturers.

- All work not specifically shown here is to be done in accordance with the requirements of the 2024 INTERNATIONAL SWIMMING POOL & SPA CODE, APSP/ANSI/ICC-5 2011 STANDARDS FOR RESIDENTIAL INGROUND SWIMMING POOLS, and all other local building codes.
- Construction Drawing: Different methods and precautions may be dictated by various ground conditions. This is to be determined by and is the responsibility of the contractor who is not an agent of the manufacturer of the component parts.
- Depth and shape of the pool meet minimum standards of the 2024 INTERNATIONAL SWIMMING POOL & SPA CODE and the APSP/ANSI/ICC-5 2011 STANDARDS FOR RESIDENTIAL INGROUND SWIMMING POOLS.
- A means of entry & exit for the deep end & shallow end of the pool must be provided in accordance with 2024 INTERNATIONAL SWIMMING POOL & SPA CODE, section 809.
- Equipotential bonding must be provided in accordance with the NATIONAL ELECTRIC CODE, NFPA 70.
- All A-frame braces are to be contained within an 8" thick continuous poured concrete (2500 psi) perimeter collar.
- Backfill with clean earth, free of roots and debris.
- Finished bottom is to be 2" minimum of suitable material or undisturbed earth.
- 3' wide, 3" thick concrete deck is to be poured at a slope of 1/4" to 1' away from the pool.
- NO DIVING labels are to be installed around the perimeter of the pool.
- A safety line, with buoys, is to be permanently attached 1'0" to the shallow side of the point of first slope change.
- Suction entrapment avoidance to be installed in accordance with APSP/ANSI/ICC-7
- Pool Coping/Deck is within 12" of the designated waterline, this satisfies requirement for handholds per ISPSC 2024 SECTION 323.1.



FROM A TO:		FROM B TO:		FROM C TO:		FROM D TO:	
D	40'-3"	C	40'-3"	B	40'-3"	A	40'-3"
H	10'-9 1/4"	H	26'-3 3/4"	H	17'-2 1/2"	H	29'-6 1/4"
J	22'-6"	J	13'-6"	J	28'-9 3/4"	J	22'-6"
K	17'-2 1/2"	K	29'-6 1/4"	K	10'-9 1/4"	K	26'-3 3/4"
L	28'-9 3/4"	L	22'-6"	L	22'-6"	L	13'-6"

FS--RECTANGLE STAIR FILLER (04206UH48 / 04207UH48)  
 CF6--6" RADIUS CORNER FILLER (0421148 x2)  
 CF--90° CORNER FILLER (0521648)

Customer  
Signature:

Date:

Corner Type	90° <input type="checkbox"/>	6"R <input type="checkbox"/>
Dealer:		
Job Name:		

**INSTALLATION NOTE:**  
 Substitute (1) - 90° Corner Fillers (#0521648) in place of (2) 6"R Corner Fillers for 90° corner pool option.  
 See page A1 Steel Corner Filler specifications  
 Installer **MUST** specify what type of corners (90° OR 6"R) are desired when ordering both the pool and liner.

# STEEL 48" WALL PANELS

## 18' x 36' 90° OR 6"R CORNER RECTANGLE (3 CORNER RIGHT)

### BILL OF MATERIALS

QUANTITY	DESCRIPTION	Item #
0	2' LIGHT PANEL - 48"	0411548
2	2' PLAIN PANEL - 48"	0411448
2	4' PLAIN PANEL - 48"	0411048
1	5" STEEL & NEXUS STAIR FILLER - 48	0412048
1	8' NEXUS STEEL STAIR FOR 48" WALL COMPLETE W/ BEAD & HARDWARE	04188BN548
8	8' PLAIN PANEL	0510248
1	8' SKIMMER PANEL- 1085 - 48"	0510448
2	8' RETURN PANEL - 48"	0510848
3	90° FILLER - 48" (OPTIONAL)	0521648
1	90° RECT. STAIR FILLER RIGHT - 48"	04207UH48
12	A-FRAME	VARIES
6	DIAG. 6" RADIUS CORNER FILLER (2 REQ. PER CORNER) - 48"	0421148
3	75 PACK HEX BOLT AND WASHER	PAK75
0	100 PACK HEX BOLT AND WASHER	PAK100

**ALL DIMENSIONS ARE FINISH DIMENSIONS**

**\*\* see page Appendix for all stair specifications**

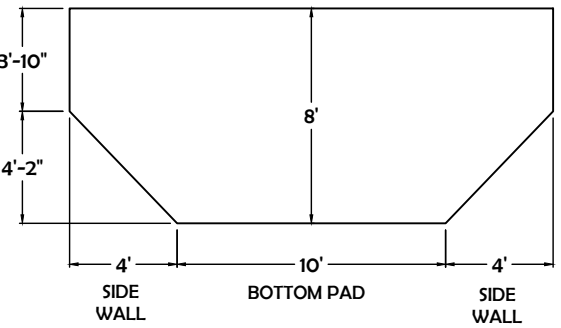
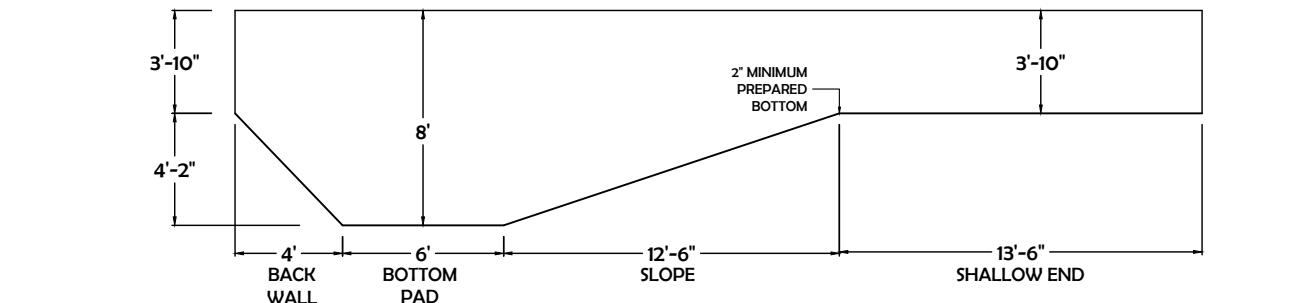
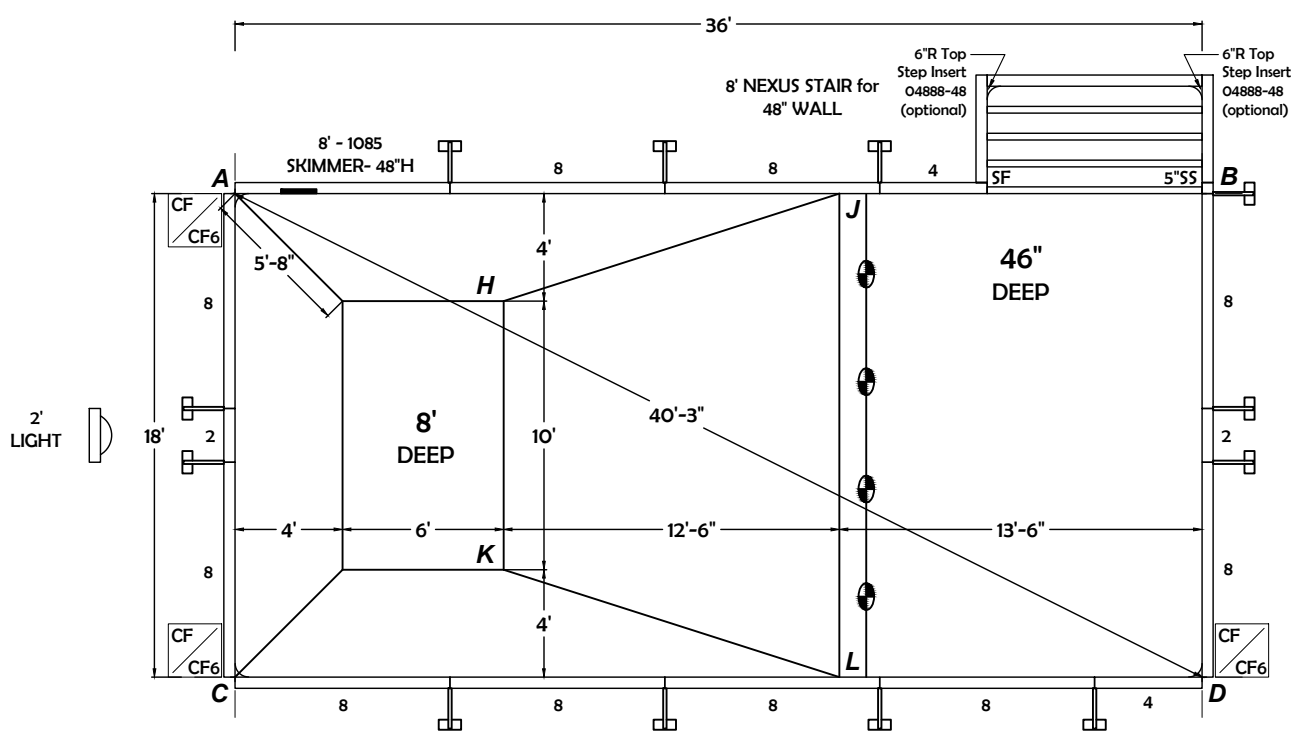
**\*\* see page A1 Steel Corner Filler specifications**

**A-FRAME BRACE**  
CF6--6" RADIUS CORNER FILLER (0421148)  
CF--90° CORNER FILLER (0521648)

**DIVING PERMITTED ONLY FROM DESIGNATED DIVING AREA**  
The bottom configuration shown conforms with the current ISPSC & ANSI / APSP / ICC suggested minimum standards for pools approved for use with manufactured diving equipment

**WARNING:** Swimming pools can be dangerous if used improperly. Consult your dealer for information on safe use. It's the responsibility of town officials, builders and homeowners to follow safety recommendations of APSP/ANSI, local ordinances & equipment manufacturers.

- All work not specifically shown here is to be done in accordance with the requirements of the 2024 INTERNATIONAL SWIMMING POOL & SPA CODE, APSP/ANSI/ICC-5 2011 STANDARDS FOR RESIDENTIAL INGROUND SWIMMING POOLS, and all other local building codes.
- Construction Drawing: Different methods and precautions may be dictated by various ground conditions. This is to be determined by and is the responsibility of the contractor who is not an agent of the manufacturer of the component parts.
- Depth and shape of the pool meet minimum standards of the 2024 INTERNATIONAL SWIMMING POOL & SPA CODE and the APSP/ANSI/ICC-5 2011 STANDARDS FOR RESIDENTIAL INGROUND SWIMMING POOLS.
- A means of entry & exit for the deep end & shallow end of the pool must be provided in accordance with 2024 INTERNATIONAL SWIMMING POOL & SPA CODE, section 809.
- Equipotential bonding must be provided in accordance with the NATIONAL ELECTRIC CODE, NFPA 70.
- All A-frame braces are to be contained within an 8" thick continuous poured concrete (2500 psi) perimeter collar.
- Backfill with clean earth, free of roots and debris.
- Finished bottom is to be 2" minimum of suitable material or undisturbed earth.
- 3' wide, 3" thick concrete deck is to be poured at a slope of 1/4" to 1' away from the pool.
- NO DIVING labels are to be installed around the perimeter of the pool.
- A safety line, with buoys, is to be permanently attached 10" to the shallow side of the point of first slope change.
- Suction entrapment avoidance to be installed in accordance with APSP/ANSI/ICC-7
- Pool Coping/Deck is within 12" of the designated waterline, this satisfies requirement for handholds per ISPSC 2024 SECTION 323.1.



FROM A TO:		FROM B TO:		FROM C TO:		FROM D TO:	
D	40'-3"	C	40'-3"	B	40'-3"	A	40'-3"
H	10'-9 1/4"	H	26'-3 3/4"	H	17'-2 1/2"	H	29'-6 1/4"
J	22'-6"	J	13'-6"	J	28'-9 3/4"	J	22'-6"
K	17'-2 1/2"	K	29'-6 1/4"	K	10'-9 1/4"	K	26'-3 3/4"
L	28'-9 3/4"	L	22'-6"	L	22'-6"	L	13'-6"

SF--RECTANGLE STAIR FILLER (04206UH48 / 04207UH48)  
5"SS--5" STEEL & NEXUS STAIR FILLER (0412048)  
CF6--6" RADIUS CORNER FILLER (0421148 x2)  
CF--90° CORNER FILLER (0521648)

Customer Signature: \_\_\_\_\_ Date: \_\_\_\_\_

Corner Type: 90°  6"R

Dealer: \_\_\_\_\_

Job Name: \_\_\_\_\_

**INSTALLATION NOTE:**  
Substitute (1) - 90° Corner Fillers (#0521648) in place of (2) 6"R Corner Fillers for 90° corner pool option.  
See page A1 Steel Corner Filler specifications  
Installer **MUST** specify what type of corners (90° OR 6"R) are desired when ordering both the pool and liner.

# STEEL 48" WALL PANELS

## 18' x 36' 90° OR 6"R CORNER RECTANGLE (3 CORNER LEFT)

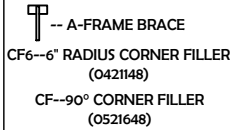
### BILL OF MATERIALS

QUANTITY	DESCRIPTION	Item #
0	2' LIGHT PANEL - 48"	0411548
2	2' PLAIN PANEL - 48"	0411448
2	4' PLAIN PANEL - 48"	0411048
1	5" STEEL & NEXUS STAIR FILLER - 48	0412048
1	8' NEXUS STEEL STAIR FOR 48" WALL COMPLETE W/ BEAD & HARDWARE	04188BNS48
8	8' PLAIN PANEL	0510248
1	8' SKIMMER PANEL - 1085 - 48"	0510448
2	8' RETURN PANEL - 48"	0510848
3	90° FILLER - 48" (OPTIONAL)	0521648
1	90° RECT. STAIR FILLER LEFT - 48"	04206UH48
12	A-FRAME	VARIES
6	DIAG. 6" RADIUS CORNER FILLER (2 REQ. PER CORNER) - 48"	0421148
3	75 PACK HEX BOLT AND WASHER	PAK75
0	100 PACK HEX BOLT AND WASHER	PAK100

**ALL DIMENSIONS ARE FINISH DIMENSIONS**

\*\* see page Appendix for all stair specifications

\*\* see page A1 Steel Corner Filler specifications

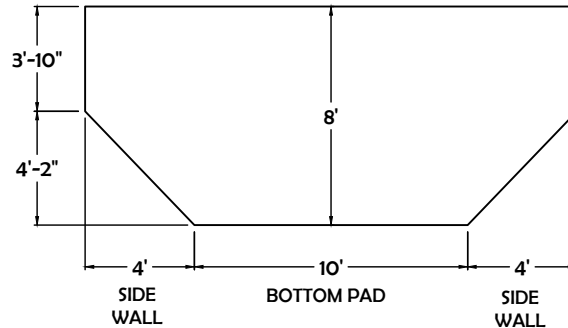
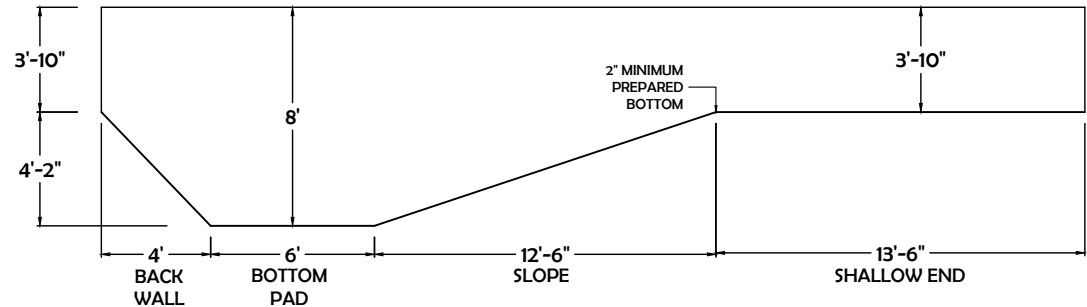
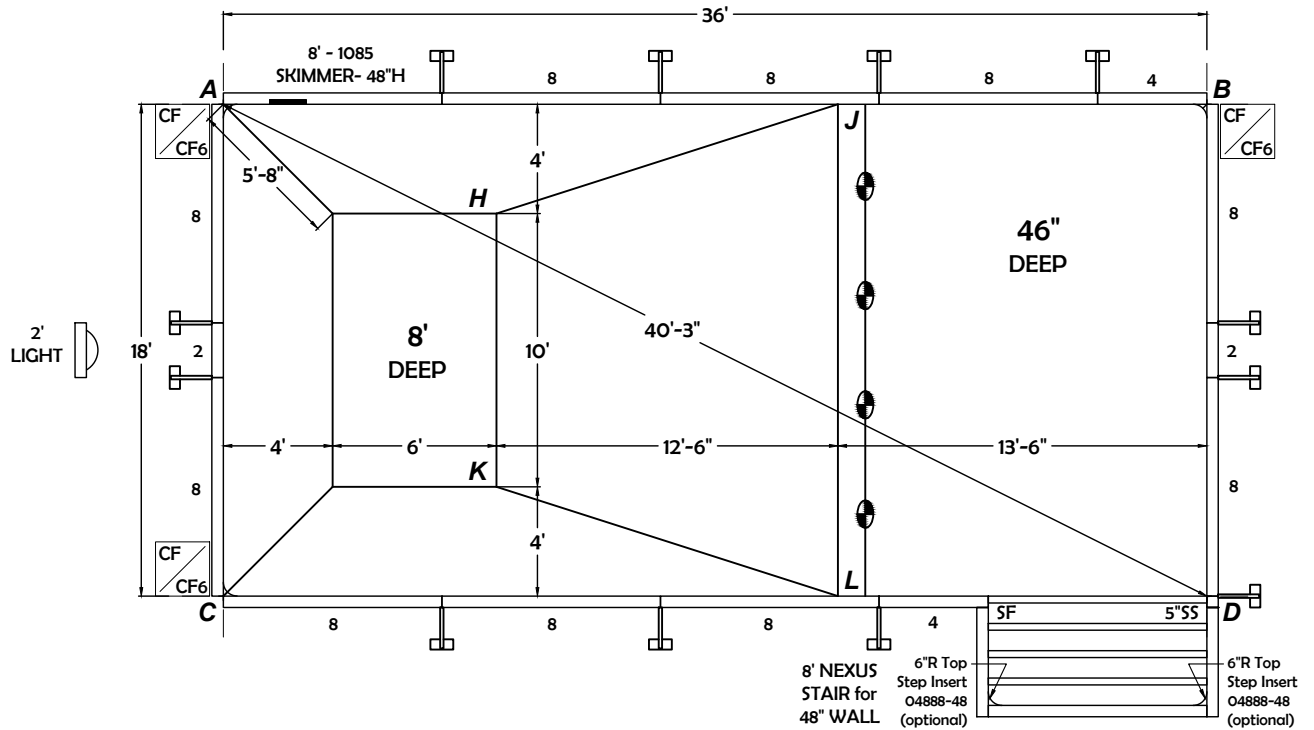


**DIVING PERMITTED ONLY FROM DESIGNATED DIVING AREA**

The bottom configuration shown conforms with the current ISPSC & ANSI / APSP / ICC suggested minimum standards for pools approved for use with manufactured diving equipment

**WARNING:** Swimming pools can be dangerous if used improperly. Consult your dealer for information on safe use. It's the responsibility of town officials, builders and homeowners to follow safety recommendations of APSP/ANSI, local ordinances & equipment manufacturers.

- All work not specifically shown here is to be done in accordance with the requirements of the 2024 INTERNATIONAL SWIMMING POOL & SPA CODE, APSP/ANSI/ICC-5 2011 STANDARDS FOR RESIDENTIAL INGROUND SWIMMING POOLS, and all other local building codes.
- Construction Drawing: Different methods and precautions may be dictated by various ground conditions. This is to be determined by and is the responsibility of the contractor who is not an agent of the manufacturer of the component parts.
- Depth and shape of the pool meet minimum standards of the 2024 INTERNATIONAL SWIMMING POOL & SPA CODE and the APSP/ANSI/ICC-5 2011 STANDARDS FOR RESIDENTIAL INGROUND SWIMMING POOLS.
- A means of entry & exit for the deep end & shallow end of the pool must be provided in accordance with 2024 INTERNATIONAL SWIMMING POOL & SPA CODE, section 809.
- Equipotential bonding must be provided in accordance with the NATIONAL ELECTRIC CODE, NFPA 70.
- All A-frame braces are to be contained within an 8" thick continuous poured concrete (2500 psi) perimeter collar.
- Backfill with clean earth, free of roots and debris.
- Finished bottom is to be 2" minimum of suitable material or undisturbed earth.
- 3' wide, 3" thick concrete deck is to be poured at a slope of 1/4" to 1' away from the pool.
- NO DIVING labels are to be installed around the perimeter of the pool.
- A safety line, with buoys, is to be permanently attached 10' to the shallow side of the point of first slope change.
- Suction entrapment avoidance to be installed in accordance with APSP/ANSI/ICC-7
- Pool Coping/Deck is within 12" of the designated waterline, this satisfies requirement for handholds per ISPSC 2024 SECTION 323.1.



FROM A TO:	FROM B TO:	FROM C TO:	FROM D TO:
D 40'-3"	C 40'-3"	B 40'-3"	A 40'-3"
H 10'-9 1/4"	H 26'-3 3/4"	H 17'-2 1/2"	H 29'-6 1/4"
J 22'-6"	J 13'-6"	J 28'-9 3/4"	J 22'-6"
K 17'-2 1/2"	K 29'-6 1/4"	K 10'-9 1/4"	K 26'-3 3/4"
L 28'-9 3/4"	L 22'-6"	L 22'-6"	L 13'-6"

SF--RECTANGLE STAIR FILLER (04206UH48 / 04207UH48)  
 5"SS--5" STEEL & NEXUS STAIR FILLER (0412048)  
 CF6--6" RADIUS CORNER FILLER (0421148 x2)  
 CF--90° CORNER FILLER (0521648)

Customer Signature:

Date:

Corner Type

90°

6"R

Dealer:

Job Name:

**INSTALLATION NOTE:**

Substitute (1) - 90° Corner Fillers (#0521648) in place of (2) 6"R Corner Fillers for 90° corner pool option. See page A1 Steel Corner Filler specifications

Installer **MUST** specify what type of corners (90° OR 6"R) are desired when ordering both the pool and liner.

# STEEL 48" WALL PANELS

## 18' x 36' 90° OR 6"R CORNER RECTANGLE

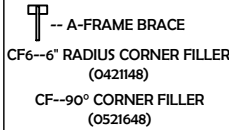
### BILL OF MATERIALS

QUANTITY	DESCRIPTION	Item #
1	18' NEXUS STAIR for 48" WALLS	O4520BN548
0	2' LIGHT PANEL - 48"	O411548
1	2' PLAIN PANEL - 48"	O411448
7	8' PLAIN PANEL	O510248
1	8' SKIMMER PANEL - 1085 - 48"	O510448
2	8' RETURN PANEL - 48"	O510848
2	90° FILLER - 48" (OPTIONAL)	O521648
12	A-FRAME	VARIES
4	DIAG. 6" RADIUS CORNER FILLER (2 REQ. PER CORNER) - 48"	O421148
1	75 PACK HEX BOLT AND WASHER	PAK75
1	100 PACK HEX BOLT AND WASHER	PAK100

**ALL DIMENSIONS ARE FINISH DIMENSIONS**

\*\* see page Appendix for all stair specifications

\*\* see page A1 Steel Corner Filler specifications

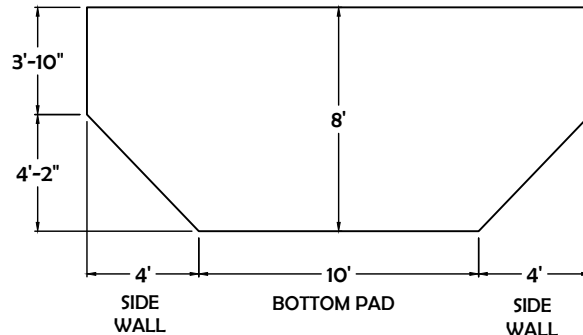
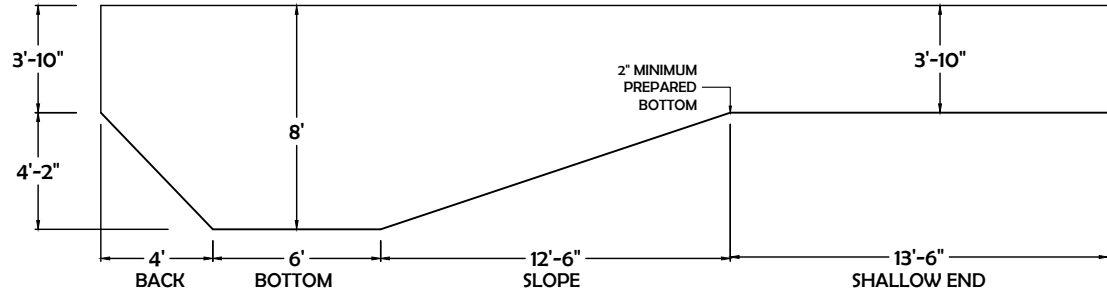
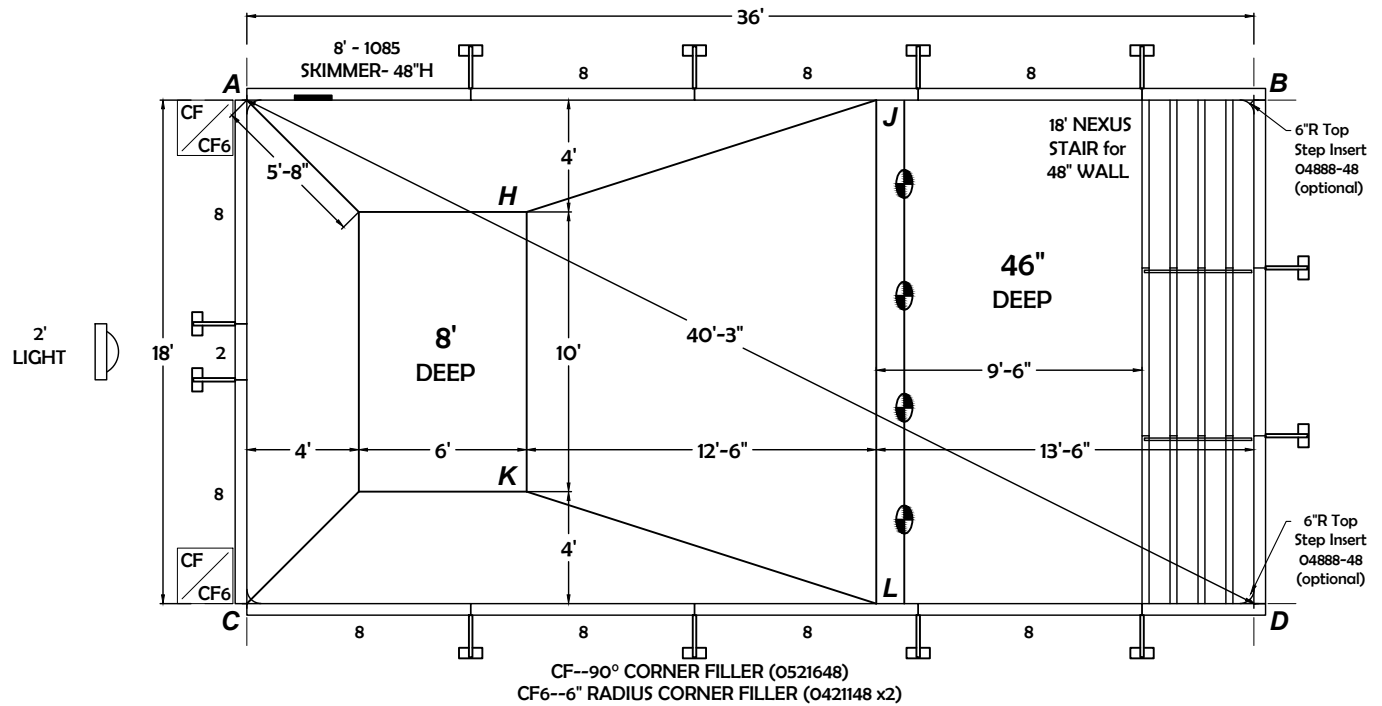


**DIVING PERMITTED ONLY FROM DESIGNATED DIVING AREA**

The bottom configuration shown conforms with the current ISPSC & ANSI / APSP / ICC suggested minimum standards for pools approved for use with manufactured diving equipment

**WARNING:** Swimming pools can be dangerous if used improperly. Consult your dealer for information on safe use. It's the responsibility of town officials, builders and homeowners to follow safety recommendations of APSP/ANSI, local ordinances & equipment manufacturers.

- All work not specifically shown here is to be done in accordance with the requirements of the 2024 INTERNATIONAL SWIMMING POOL & SPA CODE, APSP/ANSI/ICC-5 2011 STANDARDS FOR RESIDENTIAL INGROUND SWIMMING POOLS, and all other local building codes.
- Construction Drawing: Different methods and precautions may be dictated by various ground conditions. This is to be determined by and is the responsibility of the contractor who is not an agent of the manufacturer of the component parts.
- Depth and shape of the pool meet minimum standards of the 2024 INTERNATIONAL SWIMMING POOL & SPA CODE and the APSP/ANSI/ICC-5 2011 STANDARDS FOR RESIDENTIAL INGROUND SWIMMING POOLS.
- A means of entry & exit for the deep end & shallow end of the pool must be provided in accordance with 2024 INTERNATIONAL SWIMMING POOL & SPA CODE, section 809.
- Equipotential bonding must be provided in accordance with the NATIONAL ELECTRIC CODE, NFPA 70.
- All A-frame braces are to be contained within an 8" thick continuous poured concrete (2500 psi) perimeter collar.
- Backfill with clean earth, free of roots and debris.
- Finished bottom is to be 2" minimum of suitable material or undisturbed earth.
- 3' wide, 3" thick concrete deck is to be poured at a slope of 1/4" to 1' away from the pool.
- NO DIVING labels are to be installed around the perimeter of the pool.
- A safety line, with buoys, is to be permanently attached 10' to the shallow side of the point of first slope change.
- Suction entrapment avoidance to be installed in accordance with APSP/ANSI/ICC-7
- Pool Coping/Deck is within 12" of the designated waterline, this satisfies requirement for handholds per ISPSC 2024 SECTION 323.1.



FROM A TO:		FROM B TO:		FROM C TO:		FROM D TO:	
D	40'-3"	C	40'-3"	B	40'-3"	A	40'-3"
H	10'-9 1/4"	H	26'-3 3/4"	H	17'-2 1/2"	H	29'-6 1/4"
J	22'-6"	J	13'-6"	J	28'-9 3/4"	J	22'-6"
K	17'-2 1/2"	K	29'-6 1/4"	K	10'-9 1/4"	K	26'-3 3/4"
L	28'-9 3/4"	L	22'-6"	L	22'-6"	L	13'-6"

Customer Signature:	Date:	Corner Type	90° <input type="checkbox"/> 6"R <input type="checkbox"/>	<b>INSTALLATION NOTE:</b> Substitute (1) - 90° Corner Fillers (#0521648) in place of (2) 6"R Corner Fillers for 90° corner pool option. See page A1 Steel Corner Filler specifications  Installer <b>MUST</b> specify what type of corners (90° OR 6"R) are desired when ordering both the pool and liner.
		Dealer:		
		Job Name:		



# STEEL 48" WALL PANELS

## 18' x 36' 90° OR 6"R CORNER RECTANGLE

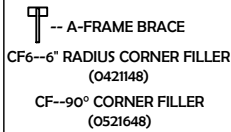
### BILL OF MATERIALS

QUANTITY	DESCRIPTION	Item #
1	18' NEXUS STAIR w/ SD for 48" WALL	O4V52090-24B48
0	2' LIGHT PANEL - 48"	O411548
1	2' PLAIN PANEL - 48"	O411448
2	3' PLAIN PANEL - 48"	O411348
2	5' PLAIN PANEL - 48"	O410748
5	8' PLAIN PANEL	O510248
1	8' SKIMMER PANEL- 1085 - 48"	O510448
2	8' RETURN PANEL - 48"	O510848
2	90° FILLER - 48" (OPTIONAL)	O521648
16	A-FRAME	VARIES
4	DIAG. 6" RADIUS CORNER FILLER (2 REQ. PER CORNER) - 48"	O421148
1	75 PACK HEX BOLT AND WASHER	PAK75
1	100 PACK HEX BOLT AND WASHER	PAK100

**ALL DIMENSIONS ARE FINISH DIMENSIONS**

\*\* see page Appendix for all stair specifications

\*\* see page A1 Steel Corner Filler specifications

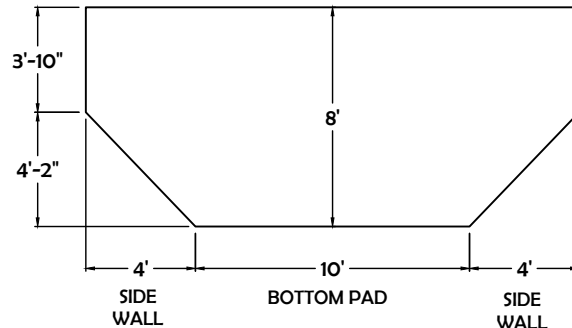
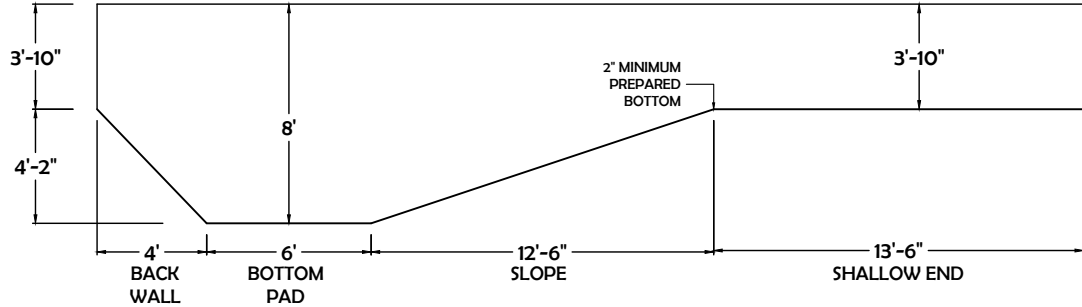
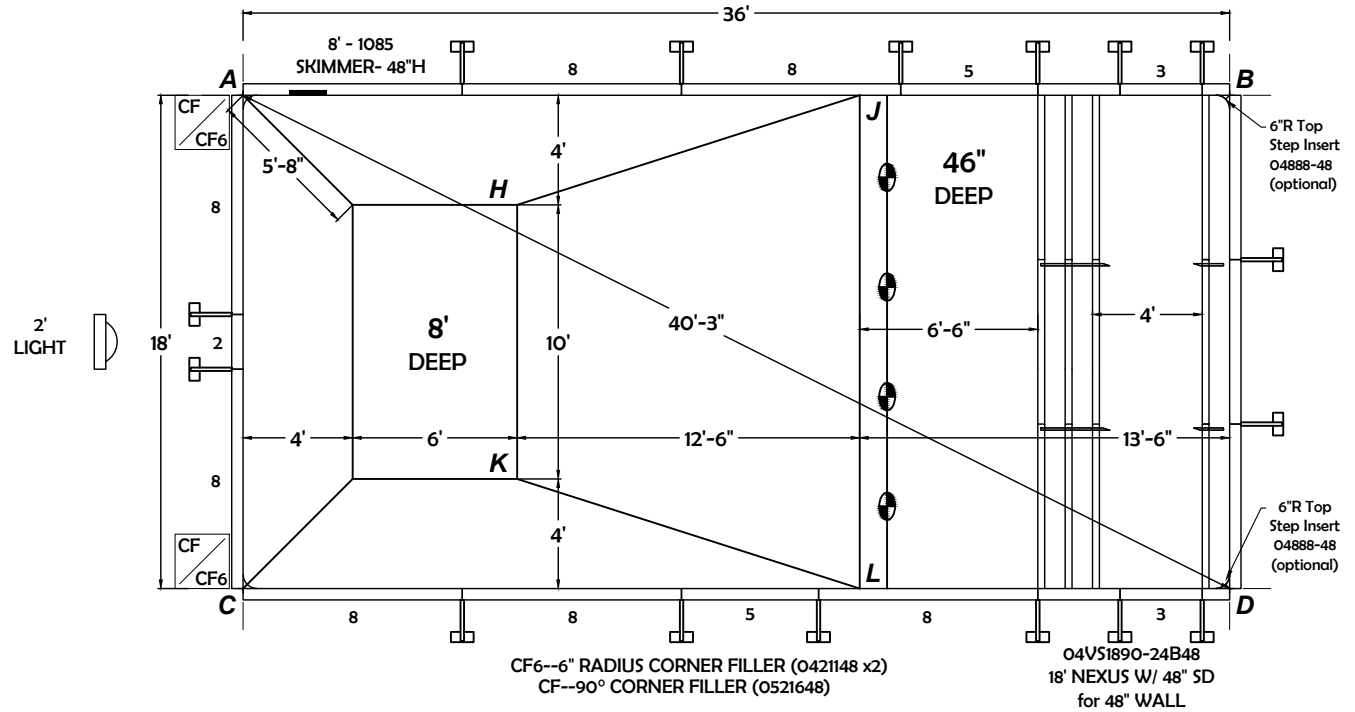


**DIVING PERMITTED ONLY FROM DESIGNATED DIVING AREA**

The bottom configuration shown conforms with the current ISPSC & ANSI / APSP / ICC suggested minimum standards for pools approved for use with manufactured diving equipment

**WARNING:** Swimming pools can be dangerous if used improperly. Consult your dealer for information on safe use. It's the responsibility of town officials, builders and homeowners to follow safety recommendations of APSP/ANSI, local ordinances & equipment manufacturers.

- All work not specifically shown here is to be done in accordance with the requirements of the 2024 INTERNATIONAL SWIMMING POOL & SPA CODE, APSP/ANSI/ICC-5 2011 STANDARDS FOR RESIDENTIAL INGROUND SWIMMING POOLS, and all other local building codes.
- Construction Drawing: Different methods and precautions may be dictated by various ground conditions. This is to be determined by and is the responsibility of the contractor who is not an agent of the manufacturer of the component parts.
- Depth and shape of the pool meet minimum standards of the 2024 INTERNATIONAL SWIMMING POOL & SPA CODE and the APSP/ANSI/ICC-5 2011 STANDARDS FOR RESIDENTIAL INGROUND SWIMMING POOLS.
- A means of entry & exit for the deep end & shallow end of the pool must be provided in accordance with 2024 INTERNATIONAL SWIMMING POOL & SPA CODE, section 809.
- Equipotential bonding must be provided in accordance with the NATIONAL ELECTRIC CODE, NFPA 70.
- All A-frame braces are to be contained within an 8" thick continuous poured concrete (2500 psi) perimeter collar.
- Backfill with clean earth, free of roots and debris.
- Finished bottom is to be 2" minimum of suitable material or undisturbed earth.
- 3' wide, 3" thick concrete deck is to be poured at a slope of 1/4" to 1' away from the pool.
- NO DIVING labels are to be installed around the perimeter of the pool.
- A safety line, with buoys, is to be permanently attached 10' to the shallow side of the point of first slope change.
- Suction entrapment avoidance to be installed in accordance with APSP/ANSI/ICC-7
- Pool Coping/Deck is within 12" of the designated waterline, this satisfies requirement for handholds per ISPSC 2024 SECTION 323.1.



FROM A TO:	FROM B TO:	FROM C TO:	FROM D TO:
D 40'-3"	C 40'-3"	B 40'-3"	A 40'-3"
H 10'-9 1/4"	H 26'-3 3/4"	H 17'-2 1/2"	H 29'-6 1/4"
J 22'-6"	J 13'-6"	J 28'-9 3/4"	J 22'-6"
K 17'-2 1/2"	K 29'-6 1/4"	K 10'-9 1/4"	K 26'-3 3/4"
L 28'-9 3/4"	L 22'-6"	L 22'-6"	L 13'-6"

Customer Signature:

Date:

Corner Type  90°  6"R

Dealer:

Job Name:

**INSTALLATION NOTE:**  
Substitute (1) - 90° Corner Fillers (#0521648) in place of (2) 6"R Corner Fillers for 90° corner pool option. See page A1 Steel Corner Filler specifications  
Installer **MUST** specify what type of corners (90° OR 6"R) are desired when ordering both the pool and liner.

# STEEL 48" WALL PANELS

## 20' x 40' 90° OR 6"R CORNER RECTANGLE

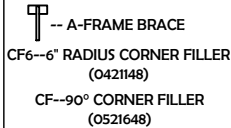
### BILL OF MATERIALS

QUANTITY	DESCRIPTION	Item #
0	4' LIGHT PANEL - 48"	0411248
1	4' PLAIN PANEL - 48"	0411048
2	6' PLAIN PANEL - 48"	0511248
7	8' PLAIN PANEL	0510248
2	8' SKIMMER PANEL- 1085 - 48"	0510448
3	8' RETURN PANEL - 48"	0510848
1	8' STEP AND REST - 48"	074185NR48
4	90° FILLER - 48" (OPTIONAL)	0521648
12	A-FRAME	VARIES
8	DIAG. 6" RADIUS CORNER FILLER (2 REQ. PER CORNER) - 48"	0421148
3	75 PACK HEX BOLT AND WASHER	PAK75
0	100 PACK HEX BOLT AND WASHER	PAK100

**ALL DIMENSIONS ARE FINISH DIMENSIONS**

\*\* see page Appendix for all stair specifications

\*\* see page A1 Steel Corner Filler specifications

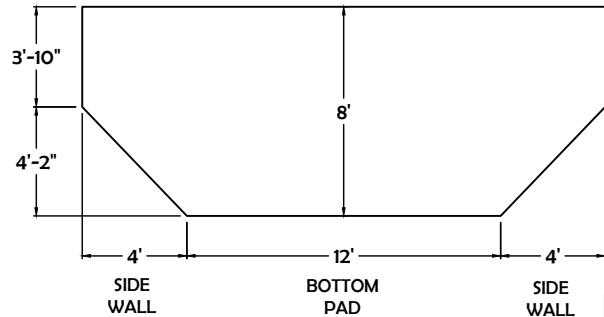
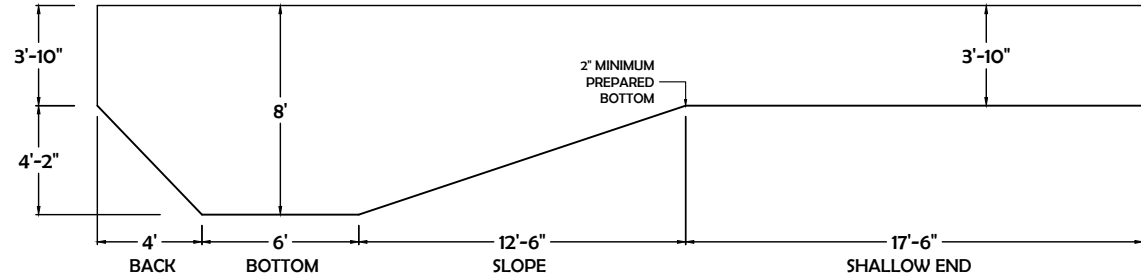
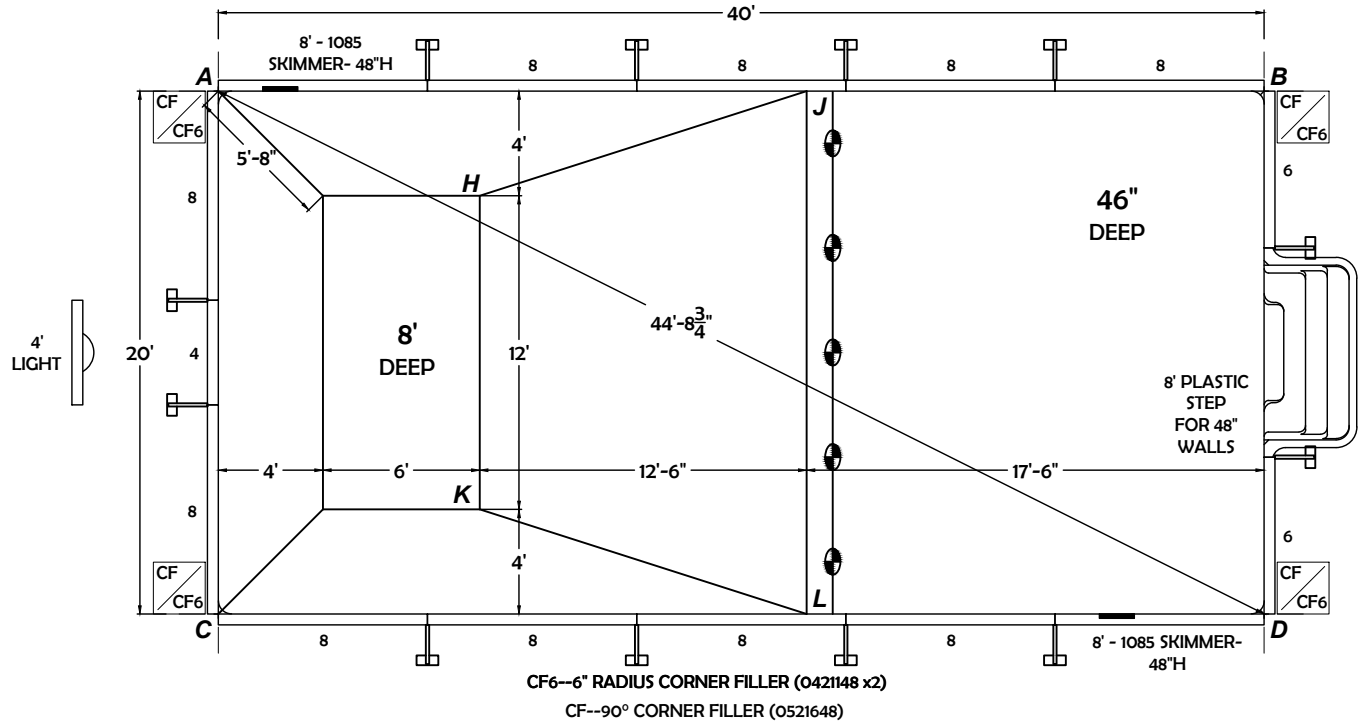


**DIVING PERMITTED ONLY FROM DESIGNATED DIVING AREA**

The bottom configuration shown conforms with the current ISPSC & ANSI / APSP / ICC suggested minimum standards for pools approved for use with manufactured diving equipment

**WARNING:** Swimming pools can be dangerous if used improperly. Consult your dealer for information on safe use. It's the responsibility of town officials, builders and homeowners to follow safety recommendations of APSP/ANSI, local ordinances & equipment manufacturers.

- All work not specifically shown here is to be done in accordance with the requirements of the 2024 INTERNATIONAL SWIMMING POOL & SPA CODE, APSP/ANSI/ICC-5 2011 STANDARDS FOR RESIDENTIAL INGROUND SWIMMING POOLS, and all other local building codes.
- Construction Drawing: Different methods and precautions may be dictated by various ground conditions. This is to be determined by and is the responsibility of the contractor who is not an agent of the manufacturer of the component parts.
- Depth and shape of the pool meet minimum standards of the 2024 INTERNATIONAL SWIMMING POOL & SPA CODE and the APSP/ANSI/ICC-5 2011 STANDARDS FOR RESIDENTIAL INGROUND SWIMMING POOLS.
- A means of entry & exit for the deep end & shallow end of the pool must be provided in accordance with 2024 INTERNATIONAL SWIMMING POOL & SPA CODE, section 809.
- Equipotential bonding must be provided in accordance with the NATIONAL ELECTRIC CODE, NFPA 70.
- All A-frame braces are to be contained within an 8" thick continuous poured concrete (2500 psi) perimeter collar.
- Backfill with clean earth, free of roots and debris.
- Finished bottom is to be 2" minimum of suitable material or undisturbed earth.
- 3' wide, 3" thick concrete deck is to be poured at a slope of 1/4" to 1' away from the pool.
- NO DIVING labels are to be installed around the perimeter of the pool.
- A safety line, with buoys, is to be permanently attached 10' to the shallow side of the point of first slope change.
- Suction entrapment avoidance to be installed in accordance with APSP/ANSI/ICC-7
- Pool Coping/Deck is within 12" of the designated waterline, this satisfies requirement for handholds per ISPSC 2024 SECTION 323.1.



FROM A TO:		FROM B TO:		FROM C TO:		FROM D TO:	
D	44'-8 3/4"	C	44'-8 3/4"	B	44'-8 3/4"	A	44'-8 3/4"
H	10'-9 1/4"	H	30'-3 1/4"	H	18'-10 1/2"	H	34"
J	22'-6"	J	17'-6"	J	30'-1 1/4"	J	26'-7"
K	18'-10 1/2"	K	34"	K	10'-9 1/4"	K	30'-3 1/4"
L	30'-1 1/4"	L	26'-7"	L	22'-6"	L	17'-6"

Customer Signature:

Date:

Corner Type

90°

6"R

Dealer:

Job Name:

**INSTALLATION NOTE:**

Substitute (1) - 90° Corner Fillers (#0521648) in place of (2) 6"R Corner Fillers for 90° corner pool option. See page A1 Steel Corner Filler specifications

Installer **MUST** specify what type of corners (90° OR 6"R) are desired when ordering both the pool and liner.

# STEEL 48" WALL PANELS

## 20' x 40' 90° OR 6"R CORNER RECTANGLE

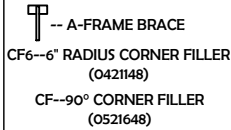
### BILL OF MATERIALS

QUANTITY	DESCRIPTION	Item #
0	4' LIGHT PANEL - 48"	0411248*
1	4' PLAIN PANEL - 48"	0411048
2	6' PLAIN PANEL - 48"	0511248
1	8' NEXUS STEEL STAIR FOR 48" WALL COMPLETE W/ BEAD & HARDWARE	04188BNS48
7	8' PLAIN PANEL	0510248
2	8' SKIMMER PANEL- 1085 - 48"	0510448
3	8' RETURN PANEL - 48"	0510848
4	90° FILLER - 48" (OPTIONAL)	0521648
1	90° RECT. STAIR FILLER LEFT- 48"	04206UH48
1	90° RECT. STAIR FILLER RIGHT - 48"	04207UH48
10	A-FRAME	VARIES
8	DIAG. 6" RADIUS CORNER FILLER (2 REQ. PER CORNER) - 48"	0421148
0	75 PACK HEX BOLT AND WASHER	PAK75
2	100 PACK HEX BOLT AND WASHER	PAK100

**ALL DIMENSIONS ARE FINISH DIMENSIONS**

\*\* see page Appendix for all stair specifications

\*\* see page A1 Steel Corner Filler specifications

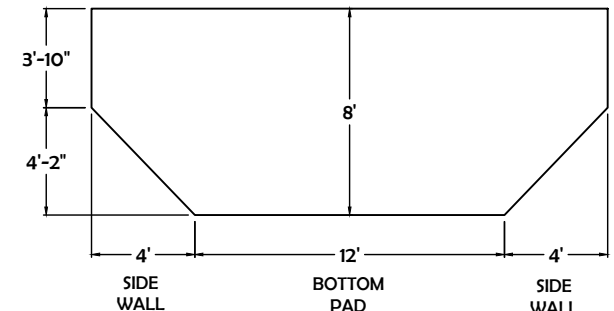
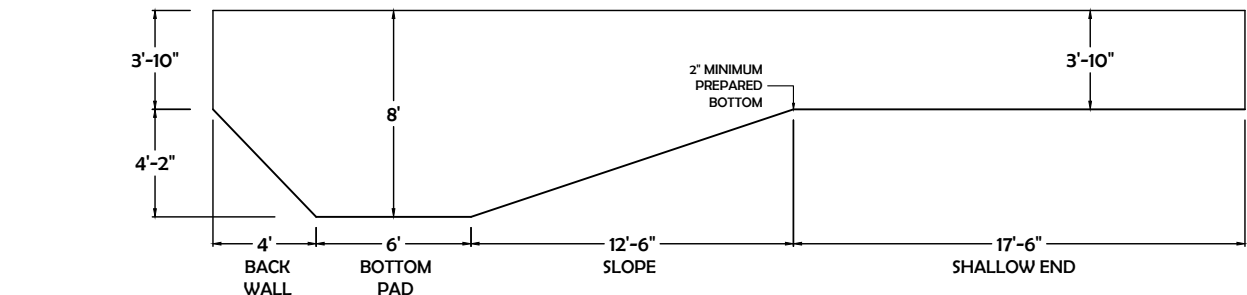
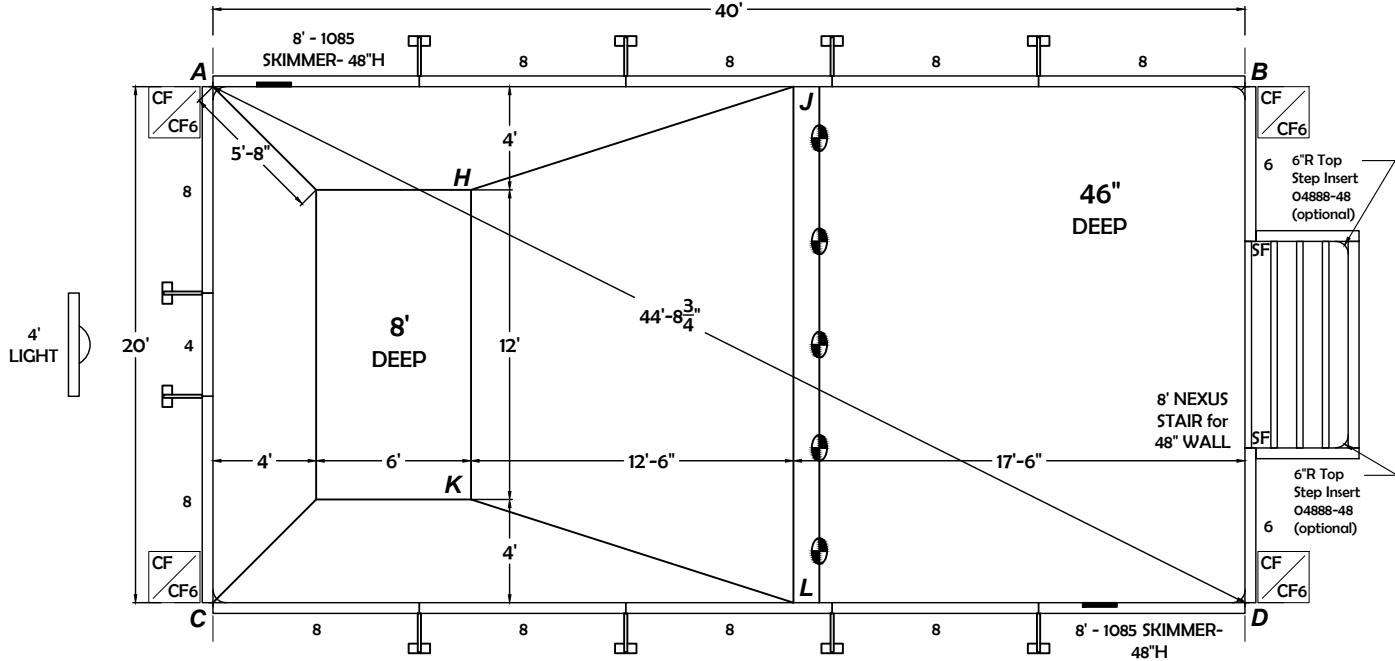


**DIVING PERMITTED ONLY FROM DESIGNATED DIVING AREA**

The bottom configuration shown conforms with the current ISPSC & ANSI / APSP / ICC suggested minimum standards for pools approved for use with manufactured diving equipment

**WARNING:** Swimming pools can be dangerous if used improperly. Consult your dealer for information on safe use. It's the responsibility of town officials, builders and homeowners to follow safety recommendations of APSP/ANSI, local ordinances & equipment manufacturers.

- All work not specifically shown here is to be done in accordance with the requirements of the 2024 INTERNATIONAL SWIMMING POOL & SPA CODE, APSP/ANSI/ICC-5 2011 STANDARDS FOR RESIDENTIAL INGROUND SWIMMING POOLS, and all other local building codes.
- Construction Drawing: Different methods and precautions may be dictated by various ground conditions. This is to be determined by and is the responsibility of the contractor who is not an agent of the manufacturer of the component parts.
- Depth and shape of the pool meet minimum standards of the 2024 INTERNATIONAL SWIMMING POOL & SPA CODE and the APSP/ANSI/ICC-5 2011 STANDARDS FOR RESIDENTIAL INGROUND SWIMMING POOLS.
- A means of entry & exit for the deep end & shallow end of the pool must be provided in accordance with 2024 INTERNATIONAL SWIMMING POOL & SPA CODE, section 809.
- Equipotential bonding must be provided in accordance with the NATIONAL ELECTRIC CODE, NFPA 70.
- All A-frame braces are to be contained within an 8" thick continuous poured concrete (2500 psi) perimeter collar.
- Backfill with clean earth, free of roots and debris.
- Finished bottom is to be 2" minimum of suitable material or undisturbed earth.
- 3' wide, 3" thick concrete deck is to be poured at a slope of 1/4" to 1' away from the pool.
- NO DIVING labels are to be installed around the perimeter of the pool.
- A safety line, with buoys, is to be permanently attached 1'0" to the shallow side of the point of first slope change.
- Suction entrapment avoidance to be installed in accordance with APSP/ANSI/ICC-7
- Pool Coping/Deck is within 12" of the designated waterline, this satisfies requirement for handholds per ISPSC 2024 SECTION 323.1.



FROM A TO:	FROM B TO:	FROM C TO:	FROM D TO:
A 44'-8 3/4"	C 44'-8 3/4"	B 44'-8 3/4"	A 44'-8 3/4"
H 10'-9 1/4"	H 30'-3 1/4"	H 18'-10 1/2"	H 34'
J 22'-6"	J 17'-6"	J 30'-1 1/4"	J 26'-7"
K 18'-10 1/2"	K 34'	K 10'-9 1/4"	K 30'-3 1/4"
L 30'-1 1/4"	L 26'-7"	L 22'-6"	L 17'-6"

SF--RECTANGLE STAIR FILLER (04206UH48 / 04207UH48)  
 CF6--6" RADIUS CORNER FILLER (0421148 x2)  
 CF--90° CORNER FILLER (0521648)

Customer Signature:	Date:	Corner Type	90° <input type="checkbox"/> 6"R <input type="checkbox"/>	<b>INSTALLATION NOTE:</b> Substitute (1) - 90° Corner Fillers (#0521648) in place of (2) 6"R Corner Fillers for 90° corner pool option. See page A1 Steel Corner Filler specifications  Installer <b>MUST</b> specify what type of corners (90° OR 6"R) are desired when ordering both the pool and liner.
		Dealer:		
		Job Name:		

# STEEL 48" WALL PANELS

## 20' x 40' 90° OR 6"R CORNER RECTANGLE (3 CORNER RIGHT)

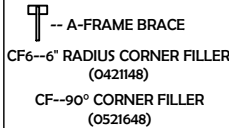
### BILL OF MATERIALS

QUANTITY	DESCRIPTION	Item #
0	4' LIGHT PANEL - 48"	0411248
2	4' PLAIN PANEL - 48"	0411048
1	5" STEEL & NEXUS STAIR FILLER - 48	0412048
1	8' NEXUS STEEL STAIR FOR 48" WALL COMPLETE W/ BEAD & HARDWARE	04188BNS48
8	8' PLAIN PANEL	0510248
2	8' SKIMMER PANEL- 1085 - 48"	0510448
3	8' RETURN PANEL - 48"	0510848
3	90° FILLER - 48" (OPTIONAL)	0521648
1	90° RECT. STAIR FILLER RIGHT - 48"	04207UH48
12	A-FRAME	VARIES
6	DIAG. 6" RADIUS CORNER FILLER (2 REQ. PER CORNER) - 48"	0421148
3	75 PACK HEX BOLT AND WASHER	PAK75
0	100 PACK HEX BOLT AND WASHER	PAK100

**ALL DIMENSIONS ARE FINISH DIMENSIONS**

\*\* see page Appendix for all stair specifications

\*\* see page A1 Steel Corner Filler specifications

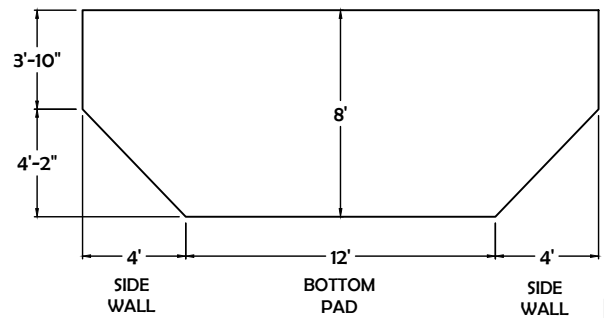
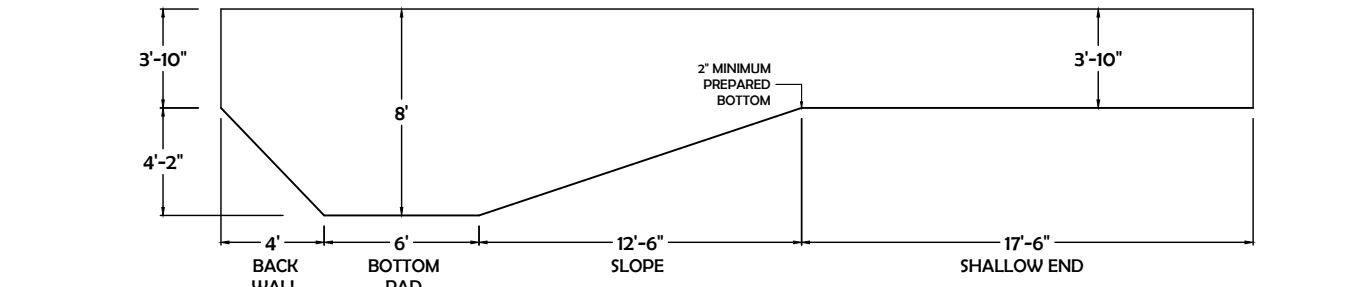
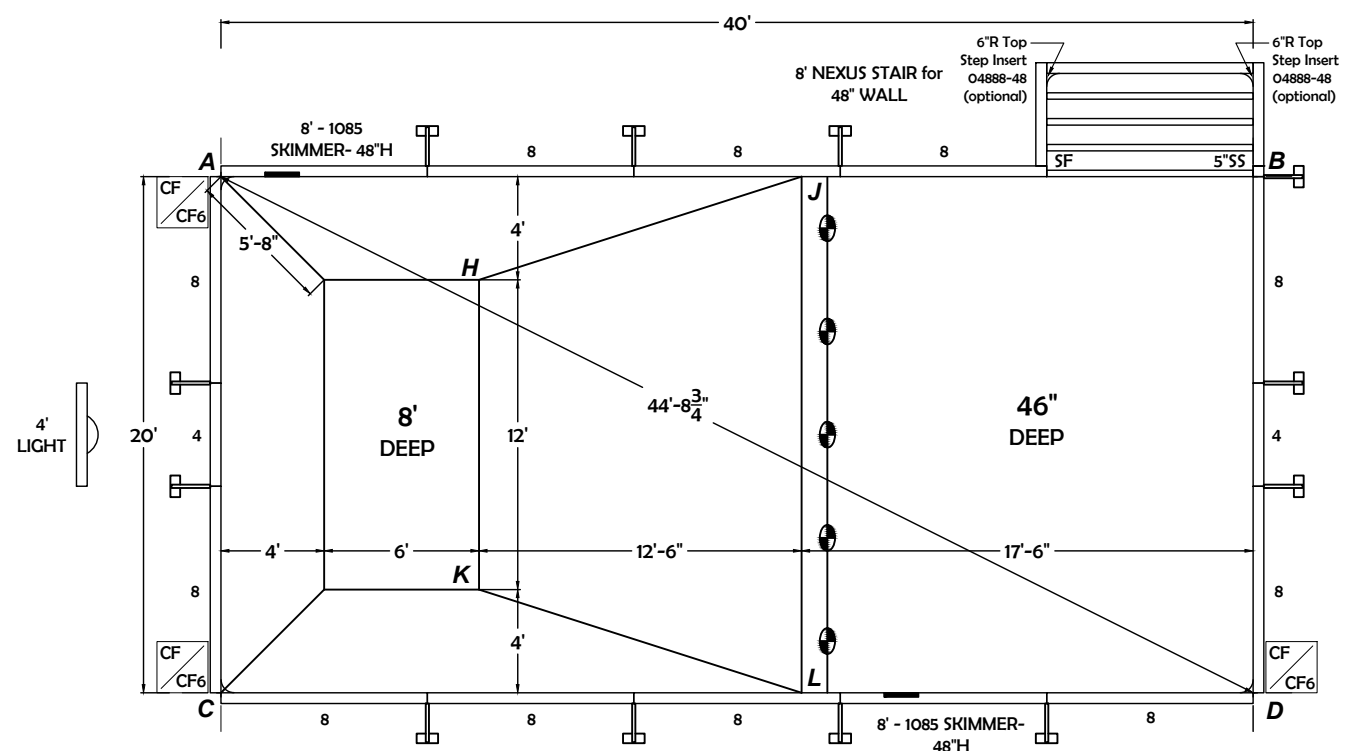


**DIVING PERMITTED ONLY FROM DESIGNATED DIVING AREA**

The bottom configuration shown conforms with the current ISPSC & ANSI / APSP / ICC suggested minimum standards for pools approved for use with manufactured diving equipment

**WARNING:** Swimming pools can be dangerous if used improperly. Consult your dealer for information on safe use. It's the responsibility of town officials, builders and homeowners to follow safety recommendations of APSP/ANSI, local ordinances & equipment manufacturers.

- All work not specifically shown here is to be done in accordance with the requirements of the 2024 INTERNATIONAL SWIMMING POOL & SPA CODE, APSP/ANSI/ICC-5 2011 STANDARDS FOR RESIDENTIAL INGROUND SWIMMING POOLS, and all other local building codes.
- Construction Drawing: Different methods and precautions may be dictated by various ground conditions. This is to be determined by and is the responsibility of the contractor who is not an agent of the manufacturer of the component parts.
- Depth and shape of the pool meet minimum standards of the 2024 INTERNATIONAL SWIMMING POOL & SPA CODE and the APSP/ANSI/ICC-5 2011 STANDARDS FOR RESIDENTIAL INGROUND SWIMMING POOLS.
- A means of entry & exit for the deep end & shallow end of the pool must be provided in accordance with 2024 INTERNATIONAL SWIMMING POOL & SPA CODE, section 809.
- Equipotential bonding must be provided in accordance with the NATIONAL ELECTRIC CODE, NFPA 70.
- All A-frame braces are to be contained within an 8" thick continuous poured concrete (2500 psi) perimeter collar.
- Backfill with clean earth, free of roots and debris.
- Finished bottom is to be 2" minimum of suitable material or undisturbed earth.
- 3' wide, 3" thick concrete deck is to be poured at a slope of 1/4" to 1' away from the pool.
- NO DIVING labels are to be installed around the perimeter of the pool.
- A safety line, with buoys, is to be permanently attached 10' to the shallow side of the point of first slope change.
- Suction entrapment avoidance to be installed in accordance with APSP/ANSI/ICC-7
- Pool Coping/Deck is within 12" of the designated waterline, this satisfies requirement for handholds per ISPSC 2024 SECTION 323.1.



FROM A TO:	FROM B TO:	FROM C TO:	FROM D TO:
D 44'-8 3/4"	C 44'-8 3/4"	B 44'-8 3/4"	A 44'-8 3/4"
H 10'-9 1/4"	H 30'-3 1/4"	H 18'-10 1/2"	H 34"
J 22'-6"	J 17'-6"	J 30'-1 1/4"	J 26'-7"
K 18'-10 1/2"	K 34"	K 10'-9 1/4"	K 30'-3 1/4"
L 30'-1 1/4"	L 26'-7"	L 22'-6"	L 17'-6"

SF--RECTANGLE STAIR FILLER (04206UH48 / 04207UH48)  
 5"SS--5" STEEL & NEXUS STAIR FILLER (0412048)  
 CF6--6" RADIUS CORNER FILLER (0421148 x2)  
 CF--90° CORNER FILLER (0521648)

Customer Signature: \_\_\_\_\_ Date: \_\_\_\_\_

Corner Type:  90°  6"R

Dealer: \_\_\_\_\_

Job Name: \_\_\_\_\_

**INSTALLATION NOTE:**  
 Substitute (1) - 90° Corner Fillers (#0521648) in place of (2) 6"R Corner Fillers for 90° corner pool option.  
 See page A1 Steel Corner Filler specifications  
 Installer **MUST** specify what type of corners (90° OR 6"R) are desired when ordering both the pool and liner.

# STEEL 48" WALL PANELS

## 20' x 40' 90° OR 6"R CORNER RECTANGLE (3 CORNER LEFT)

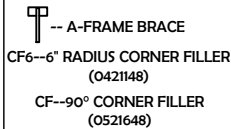
### BILL OF MATERIALS

QUANTITY	DESCRIPTION	Item #
0	4' LIGHT PANEL - 48"	O411248
2	4' PLAIN PANEL - 48"	O411048
1	5" STEEL & NEXUS STAIR FILLER - 48"	O412048
1	8' NEXUS STEEL STAIR FOR 48" WALL COMPLETE W/ BEAD & HARDWARE	O4188BNS48
8	8' PLAIN PANEL	O510248
2	8' SKIMMER PANEL - 1085 - 48"	O510448
3	8' RETURN PANEL - 48"	O510848
3	90° FILLER - 48" (OPTIONAL)	O521648
1	90° RECT. STAIR FILLER LEFT- 48"	O4206UH48
12	A-FRAME	VARIES
6	DIAG. 6" RADIUS CORNER FILLER (2 REQ. PER CORNER) - 48"	O421148
3	75 PACK HEX BOLT AND WASHER	PAK75
0	100 PACK HEX BOLT AND WASHER	PAK100

**ALL DIMENSIONS ARE FINISH DIMENSIONS**

\*\* see page Appendix for all stair specifications

\*\* see page A1 Steel Corner Filler specifications

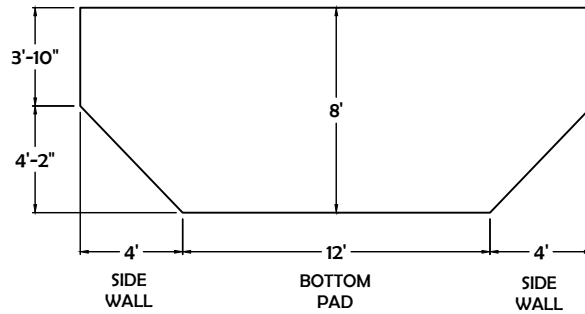
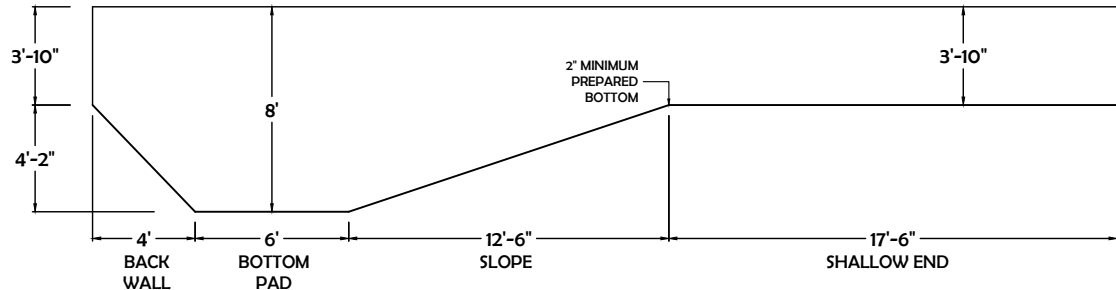
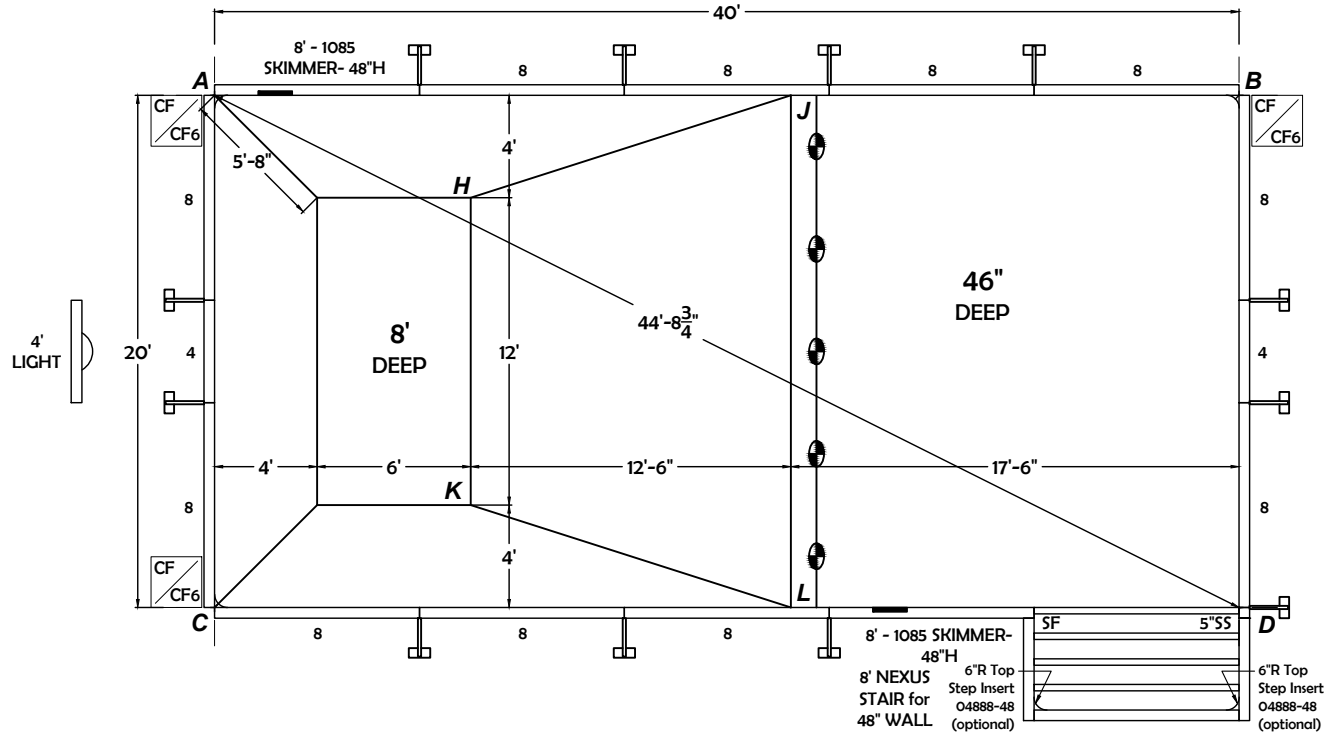


**DIVING PERMITTED ONLY FROM DESIGNATED DIVING AREA**

The bottom configuration shown conforms with the current ISPSC & ANSI / APSP / ICC suggested minimum standards for pools approved for use with manufactured diving equipment

**WARNING:** Swimming pools can be dangerous if used improperly. Consult your dealer for information on safe use. It's the responsibility of town officials, builders and homeowners to follow safety recommendations of APSP/ANSI, local ordinances & equipment manufacturers.

- All work not specifically shown here is to be done in accordance with the requirements of the 2024 INTERNATIONAL SWIMMING POOL & SPA CODE, APSP/ANSI/ICC-5 2011 STANDARDS FOR RESIDENTIAL INGROUND SWIMMING POOLS, and all other local building codes.
- Construction Drawing: Different methods and precautions may be dictated by various ground conditions. This is to be determined by and is the responsibility of the contractor who is not an agent of the manufacturer of the component parts.
- Depth and shape of the pool meet minimum standards of the 2024 INTERNATIONAL SWIMMING POOL & SPA CODE and the APSP/ANSI/ICC-5 2011 STANDARDS FOR RESIDENTIAL INGROUND SWIMMING POOLS.
- A means of entry & exit for the deep end & shallow end of the pool must be provided in accordance with 2024 INTERNATIONAL SWIMMING POOL & SPA CODE, section 809.
- Equipotential bonding must be provided in accordance with the NATIONAL ELECTRIC CODE, NFPA 70.
- All A-frame braces are to be contained within an 8" thick continuous poured concrete (2500 psi) perimeter collar.
- Backfill with clean earth, free of roots and debris.
- Finished bottom is to be 2" minimum of suitable material or undisturbed earth.
- 3' wide, 3" thick concrete deck is to be poured at a slope of 1/4" to 1' away from the pool.
- NO DIVING labels are to be installed around the perimeter of the pool.
- A safety line, with buoys, is to be permanently attached 10' to the shallow side of the point of first slope change.
- Suction entrapment avoidance to be installed in accordance with APSP/ANSI/ICC-7
- Pool Coping/Deck is within 12" of the designated waterline, this satisfies requirement for handholds per ISPSC 2024 SECTION 323.1.



FROM A TO:	FROM B TO:	FROM C TO:	FROM D TO:
D 44'-8 3/4"	C 44'-8 3/4"	B 44'-8 3/4"	A 44'-8 3/4"
H 10'-9 1/4"	H 30'-3 1/4"	H 18'-10 1/2"	H 34'
J 22'-6"	J 17'-6"	J 30'-1 1/4"	J 26'-7"
K 18'-10 1/2"	K 34'	K 10'-9 1/4"	K 30'-3 1/4"
L 30'-1 1/4"	L 26'-7"	L 22'-6"	L 17'-6"

SF--RECTANGLE STAIR FILLER (O4206UH48 / O4207UH48)  
 5"SS--5" STEEL & NEXUS STAIR FILLER (O412048)  
 CF6--6" RADIUS CORNER FILLER (O421148 x2)  
 CF--90° CORNER FILLER (O521648)

Customer Signature:	Date:	Corner Type	90° <input type="checkbox"/> 6"R <input type="checkbox"/>	<b>INSTALLATION NOTE:</b> Substitute (1) - 90° Corner Fillers (#0521648) in place of (2) 6"R Corner Fillers for 90° corner pool option. See page A1 Steel Corner Filler specifications  Installer <b>MUST</b> specify what type of corners (90° OR 6"R) are desired when ordering both the pool and liner.
		Dealer:		
		Job Name:		

# STEEL 48" WALL PANELS

## 20' x 40' 90° OR 6"R CORNER RECTANGLE

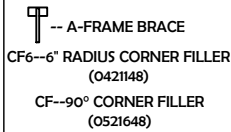
### BILL OF MATERIALS

QUANTITY	DESCRIPTION	Item #
1	20' NEXUS STAIR for 48" WALLS	O4522BN548
0	4' LIGHT PANEL - 48"	O411248
3	4' PLAIN PANEL - 48"	O411048
5	8' PLAIN PANEL	O510248
2	8' SKIMMER PANEL- 1085 - 48"	O510448
3	8' RETURN PANEL - 48"	O510848
2	90° FILLER - 48" (OPTIONAL)	O521648
14	A-FRAME	VARIES
4	DIAG. 6" RADIUS CORNER FILLER (2 REQ. PER CORNER) - 48"	O421148
0	75 PACK HEX BOLT AND WASHER	PAK75
2	100 PACK HEX BOLT AND WASHER	PAK100

**ALL DIMENSIONS ARE FINISH DIMENSIONS**

\*\* see page Appendix for all stair specifications

\*\* see page A1 Steel Corner Filler specifications

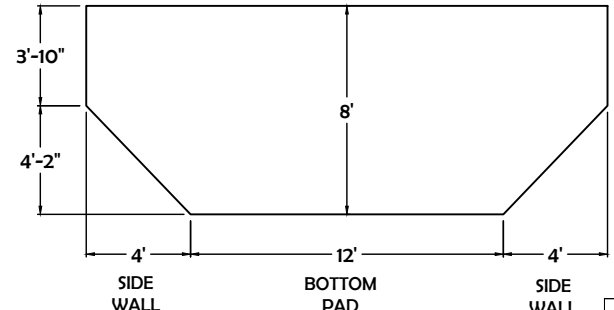
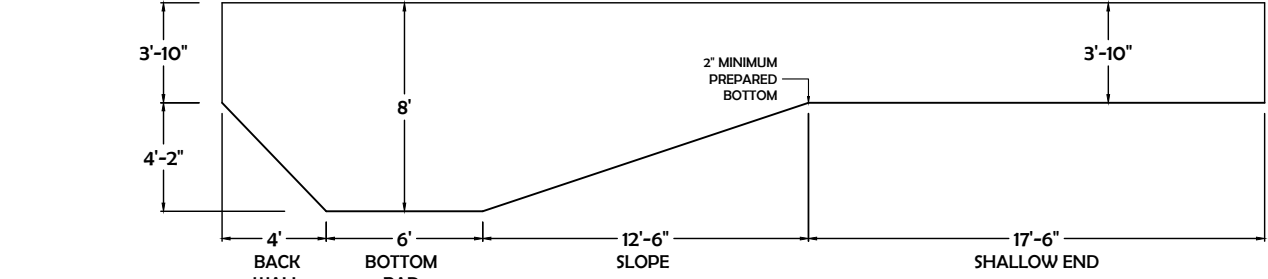
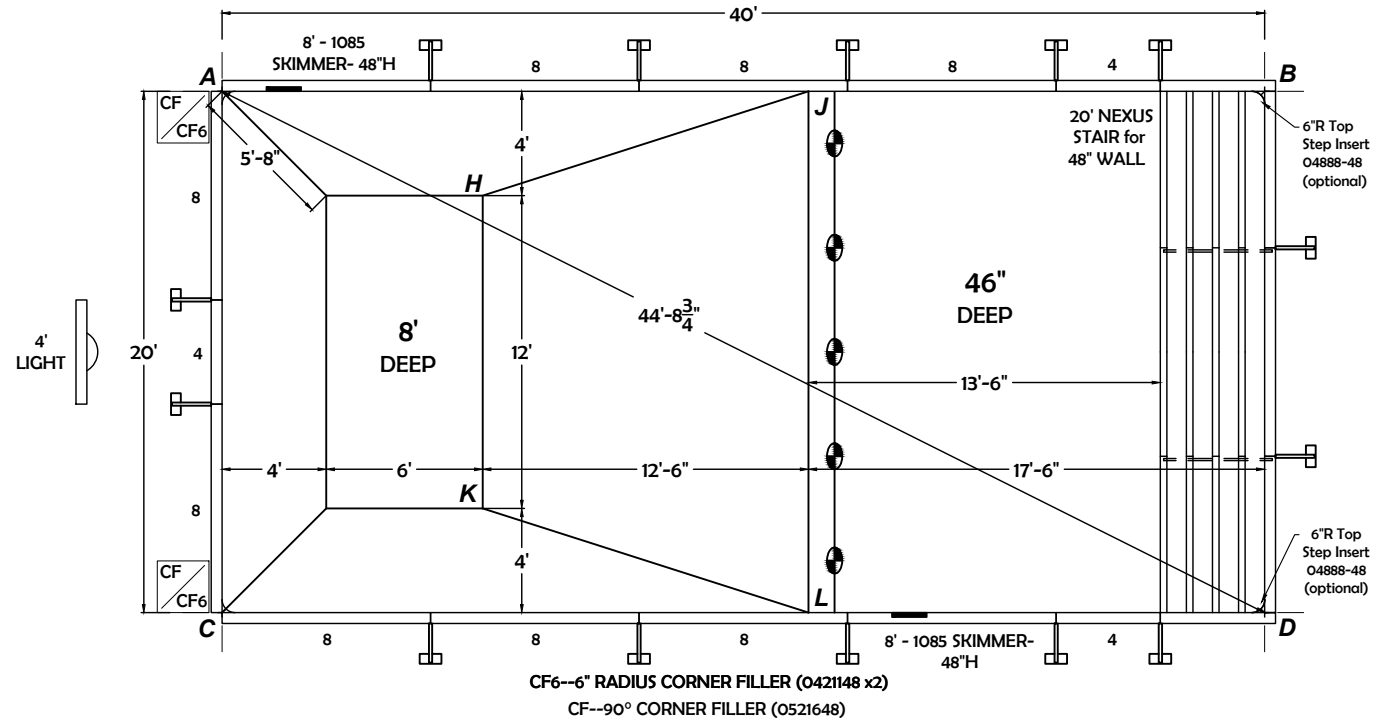


**DIVING PERMITTED ONLY FROM DESIGNATED DIVING AREA**

The bottom configuration shown conforms with the current ISPSC & ANSI / APSP / ICC suggested minimum standards for pools approved for use with manufactured diving equipment

**WARNING:** Swimming pools can be dangerous if used improperly. Consult your dealer for information on safe use. It's the responsibility of town officials, builders and homeowners to follow safety recommendations of APSP/ANSI, local ordinances & equipment manufacturers.

- All work not specifically shown here is to be done in accordance with the requirements of the 2024 INTERNATIONAL SWIMMING POOL & SPA CODE, APSP/ANSI/ICC-5 2011 STANDARDS FOR RESIDENTIAL INGROUND SWIMMING POOLS, and all other local building codes.
- Construction Drawing: Different methods and precautions may be dictated by various ground conditions. This is to be determined by and is the responsibility of the contractor who is not an agent of the manufacturer of the component parts.
- Depth and shape of the pool meet minimum standards of the 2024 INTERNATIONAL SWIMMING POOL & SPA CODE and the APSP/ANSI/ICC-5 2011 STANDARDS FOR RESIDENTIAL INGROUND SWIMMING POOLS.
- A means of entry & exit for the deep end & shallow end of the pool must be provided in accordance with 2024 INTERNATIONAL SWIMMING POOL & SPA CODE, section 809.
- Equipotential bonding must be provided in accordance with the NATIONAL ELECTRIC CODE, NFPA 70.
- All A-frame braces are to be contained within an 8" thick continuous poured concrete (2500 psi) perimeter collar.
- Backfill with clean earth, free of roots and debris.
- Finished bottom is to be 2" minimum of suitable material or undisturbed earth.
- 3' wide, 3" thick concrete deck is to be poured at a slope of 1/4" to 1' away from the pool.
- NO DIVING labels are to be installed around the perimeter of the pool.
- A safety line, with buoys, is to be permanently attached 1'0" to the shallow side of the point of first slope change.
- Suction entrapment avoidance to be installed in accordance with APSP/ANSI/ICC-7
- Pool Coping/Deck is within 12" of the designated waterline, this satisfies requirement for handholds per ISPSC 2024 SECTION 323.1.



FROM A TO:	FROM B TO:	FROM C TO:	FROM D TO:
D 44'-8 3/4"	C 44'-8 3/4"	B 44'-8 3/4"	A 44'-8 3/4"
H 10'-9 1/4"	H 30'-3 1/4"	H 18'-10 1/2"	H 34'
J 22'-6"	J 17'-6"	J 30'-1 1/4"	J 26'-7"
K 18'-10 1/2"	K 34'	K 10'-9 1/4"	K 30'-3 1/4"
L 30'-1 1/4"	L 26'-7"	L 22'-6"	L 17'-6"

Customer Signature: \_\_\_\_\_ Date: \_\_\_\_\_

Corner Type:  90°  6"R

Dealer: \_\_\_\_\_

Job Name: \_\_\_\_\_

**INSTALLATION NOTE:**  
 Substitute (1) - 90° Corner Fillers (#0521648) in place of (2) 6"R Corner Fillers for 90° corner pool option.  
 See page A1 Steel Corner Filler specifications  
 Installer **MUST** specify what type of corners (90° OR 6"R) are desired when ordering both the pool and liner.

# STEEL 48" WALL PANELS

## 20' x 40' 90° OR 6"R CORNER RECTANGLE

### BILL OF MATERIALS

QUANTITY	DESCRIPTION	Item #
1	20' NEXUS STAIR w/ SD for 48" WALL	O4V52090-24B48
0	4' LIGHT PANEL - 48"	O411248
1	4' PLAIN PANEL - 48"	O411048
2	5' PLAIN PANEL - 48"	O410748
2	7' PLAIN PANEL - 48"	O511048
3	8' PLAIN PANEL	O510248
2	8' SKIMMER PANEL- 1085 - 48"	O510448
3	8' RETURN PANEL - 48"	O510848
2	90° FILLER - 48" (OPTIONAL)	O521648
16	A-FRAME	VARIES
4	DIAG. 6" RADIUS CORNER FILLER (2 REQ. PER CORNER) - 48"	O421148
0	75 PACK HEX BOLT AND WASHER	PAK75
2	100 PACK HEX BOLT AND WASHER	PAK100

**ALL DIMENSIONS ARE FINISH DIMENSIONS**

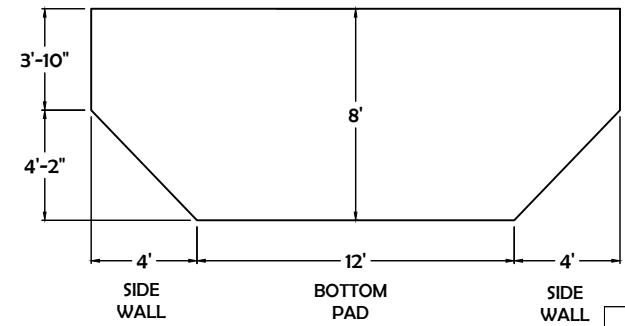
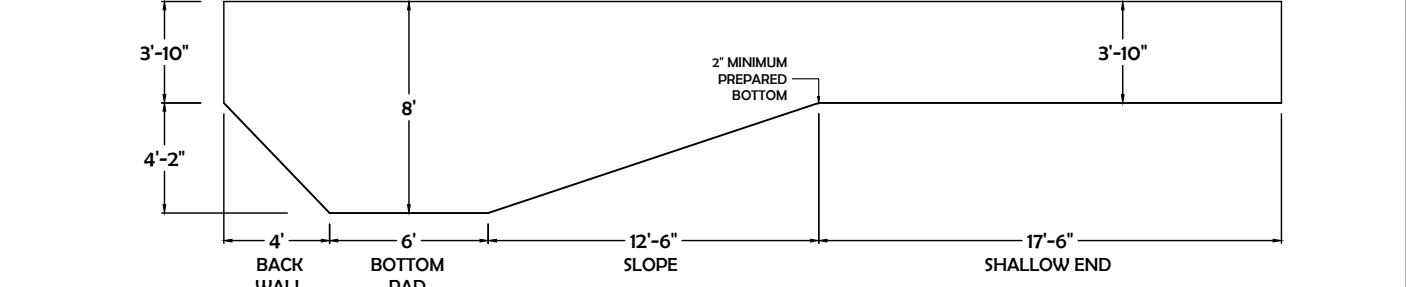
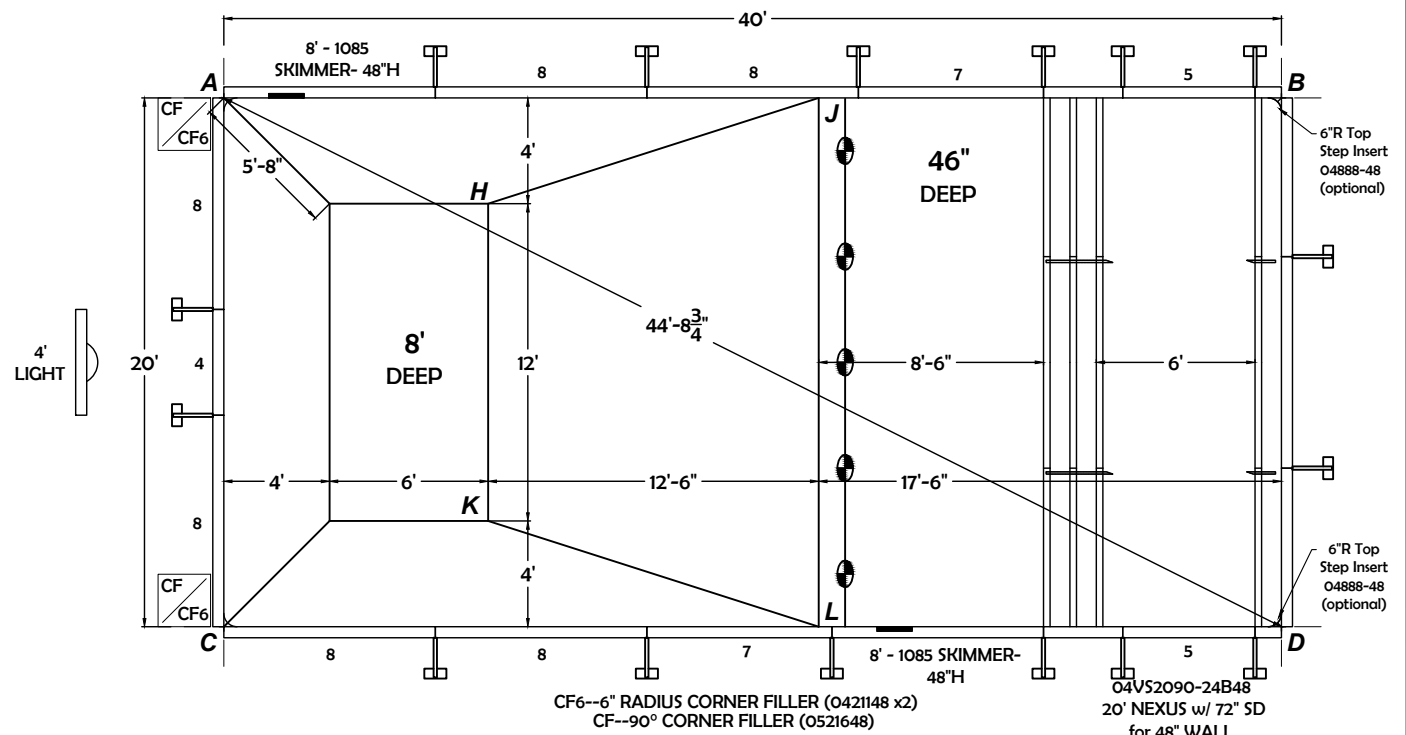
-- A-FRAME BRACE  
CF6--6" RADIUS CORNER FILLER (O421148)  
CF--90° CORNER FILLER (O521648)

\*\* see page Appendix for all stair specifications  
\*\* see page A1 Steel Corner Filler specifications

**DIVING PERMITTED ONLY FROM DESIGNATED DIVING AREA**  
The bottom configuration shown conforms with the current ISPSC & ANSI / APSP / ICC suggested minimum standards for pools approved for use with manufactured diving equipment

**WARNING:** Swimming pools can be dangerous if used improperly. Consult your dealer for information on safe use. It's the responsibility of town officials, builders and homeowners to follow safety recommendations of APSP/ANSI, local ordinances & equipment manufacturers.

- All work not specifically shown here is to be done in accordance with the requirements of the 2024 INTERNATIONAL SWIMMING POOL & SPA CODE, APSP/ANSI/ICC-5 2011 STANDARDS FOR RESIDENTIAL INGROUND SWIMMING POOLS, and all other local building codes.
- Construction Drawing: Different methods and precautions may be dictated by various ground conditions. This is to be determined by and is the responsibility of the contractor who is not an agent of the manufacturer of the component parts.
- Depth and shape of the pool meet minimum standards of the 2024 INTERNATIONAL SWIMMING POOL & SPA CODE and the APSP/ANSI/ICC-5 2011 STANDARDS FOR RESIDENTIAL INGROUND SWIMMING POOLS.
- A means of entry & exit for the deep end & shallow end of the pool must be provided in accordance with 2024 INTERNATIONAL SWIMMING POOL & SPA CODE, section 809.
- Equipotential bonding must be provided in accordance with the NATIONAL ELECTRIC CODE, NFPA 70.
- All A-frame braces are to be contained within an 8" thick continuous poured concrete (2500 psi) perimeter collar.
- Backfill with clean earth, free of roots and debris.
- Finished bottom is to be 2" minimum of suitable material or undisturbed earth.
- 3' wide, 3" thick concrete deck is to be poured at a slope of 1/4" to 1' away from the pool.
- NO DIVING labels are to be installed around the perimeter of the pool.
- A safety line, with buoys, is to be permanently attached 1'0" to the shallow side of the point of first slope change.
- Suction entrapment avoidance to be installed in accordance with APSP/ANSI/ICC-7
- Pool Coping/Deck is within 12" of the designated waterline, this satisfies requirement for handholds per ISPSC 2024 SECTION 323.1.



FROM A TO:	FROM B TO:	FROM C TO:	FROM D TO:
D 44'-8 3/4"	C 44'-8 3/4"	B 44'-8 3/4"	A 44'-8 3/4"
H 10'-9 1/4"	H 30'-3 1/4"	H 18'-10 1/2"	H 34'
J 22'-6"	J 17'-6"	J 30'-1 1/4"	J 26'-7"
K 18'-10 1/2"	K 34'	K 10'-9 1/4"	K 30'-3 1/4"
L 30'-1 1/4"	L 26'-7"	L 22'-6"	L 17'-6"

Customer Signature: \_\_\_\_\_ Date: \_\_\_\_\_

Corner Type: 90°  6"R

Dealer: \_\_\_\_\_

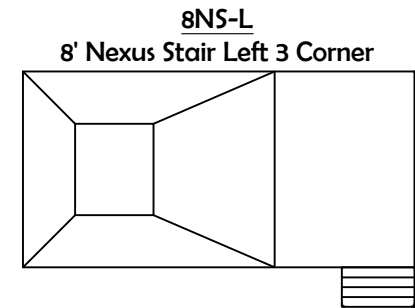
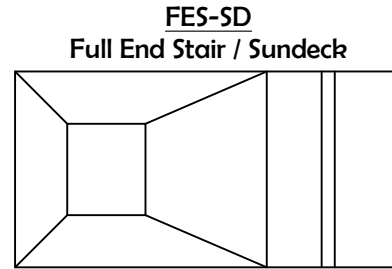
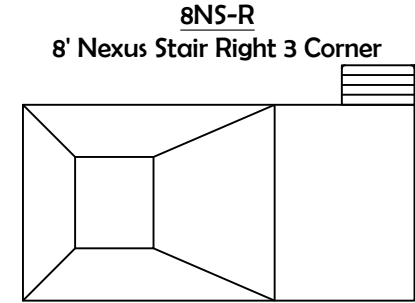
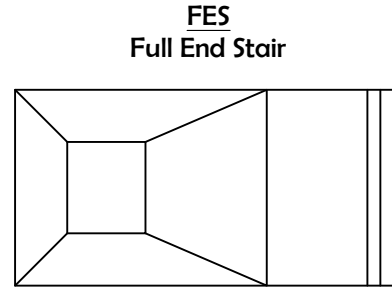
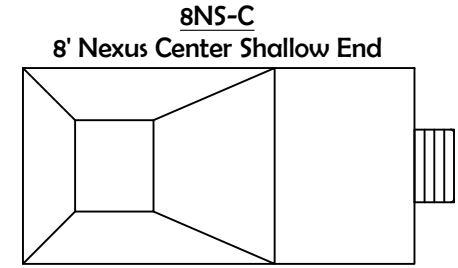
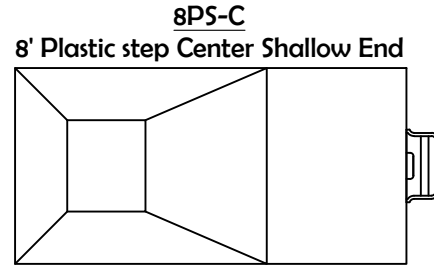
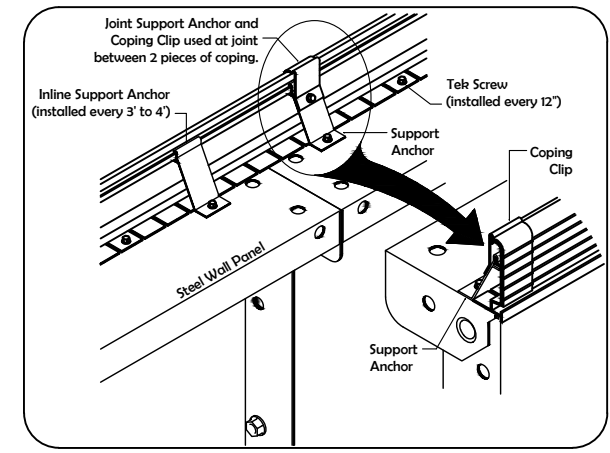
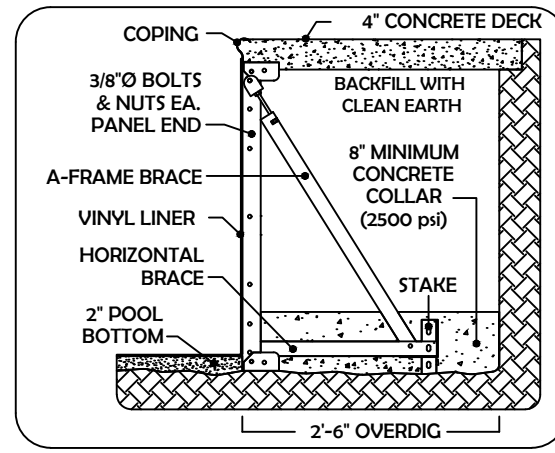
Job Name: \_\_\_\_\_

**INSTALLATION NOTE:**  
Substitute (1) - 90° Corner Fillers (#0521648) in place of (2) 6"R Corner Fillers for 90° corner pool option.  
See page A1 Steel Corner Filler specifications  
Installer **MUST** specify what type of corners (90° OR 6"R) are desired when ordering both the pool and liner.

# APPENDIX

(Rectangle layout with features)  
 (Corner Filler Specifications & Assembly)  
 (Stair & Sundeck Detailed)

Feature	page
<b>Corner &amp; Stair Fillers</b>	<b>A1</b>
CF - 90 Degree corner	
CF6 - 6" Radius Corner	
5"SS - 5 Inch Side Stair filler	
SF - Side Stair Filler	
8' Offset Stair - Center, Left & Right Application	A2
12' Full End Stair	A3
12' Full End Variable Sundeck	A4
14' Full End Stair	A5
14' Full End Variable Sundeck	A6
16' Full End Stair	A7
16' Full End Variable Sundeck	A8
18' Full End Stair	A9
18' Full End Variable Sundeck	A10
20' Full End Stair	A11
20' Full End Variable Sundeck	A12
* Progressive Coping for 6" Radius (Perimeter)	A13
* Progressive Coping for 6" Radius - 8PS-C	A14
* Progressive Coping for 6" Radius - 8NS-C	A15
* Progressive Coping for 6" Radius - 8NS-L	A16
* Progressive Coping for 6" Radius - 8NS-R	A17
* CP2 Coping for 6" Radius (Perimeter)	A18
* CP2 Coping for 6" Radius - 8PS-C	A19
* CP2 Coping for 6" Radius - 8NS-C	A20
* CP2 Coping for 6" Radius - 8NS-L	A21
* CP2 Coping for 6" Radius - 8NS-R	A22

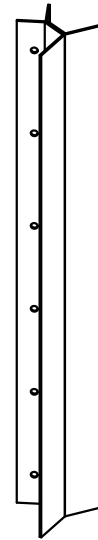
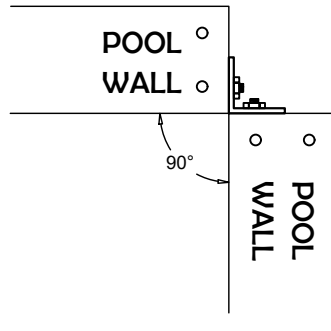




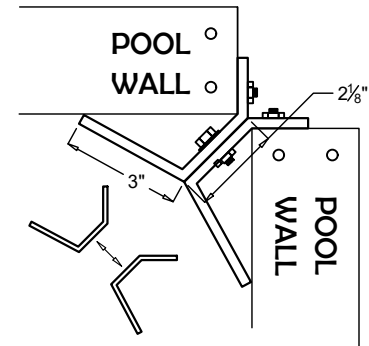
# 90 DEGREE & 6" RADIUS CORNER FILLERS



90° CORNER  
FILLER  
#0521648

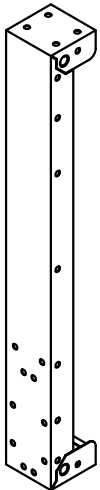


6" RADIUS  
CORNER FILLER  
(2 per CORNER)  
#0421148

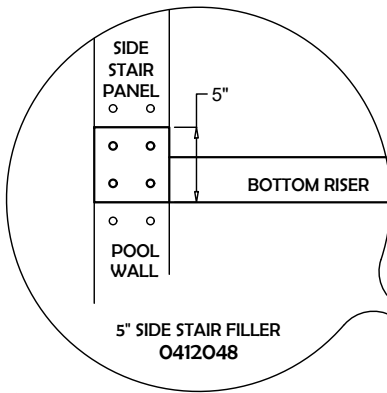


2 PIECES BOLT TOGETHER  
TO FORM EACH COMPLETE  
CORNER FILLER

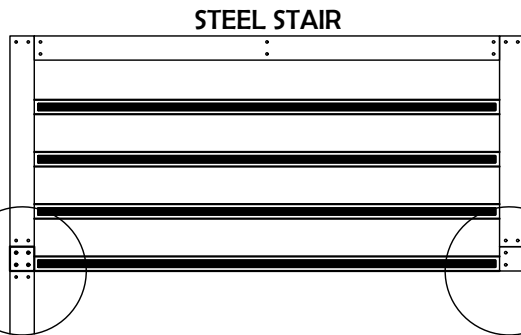
# STAIR FILLERS



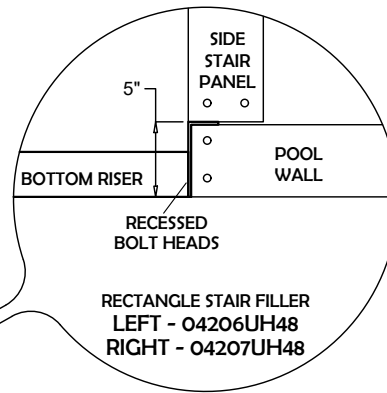
(UNIVERSAL LEFT & RIGHT  
CLOSED TOP OR NEXUS  
FILLER SHOWN)



5" SIDE STAIR FILLER  
0412048



5"SS -- 5" STEEL &  
NEXUS STAIR  
FILLER



RECTANGLE STAIR FILLER  
LEFT - 04206UH48  
RIGHT - 04207UH48

SF -- 90° RECTANGLE  
STAIR FILLER

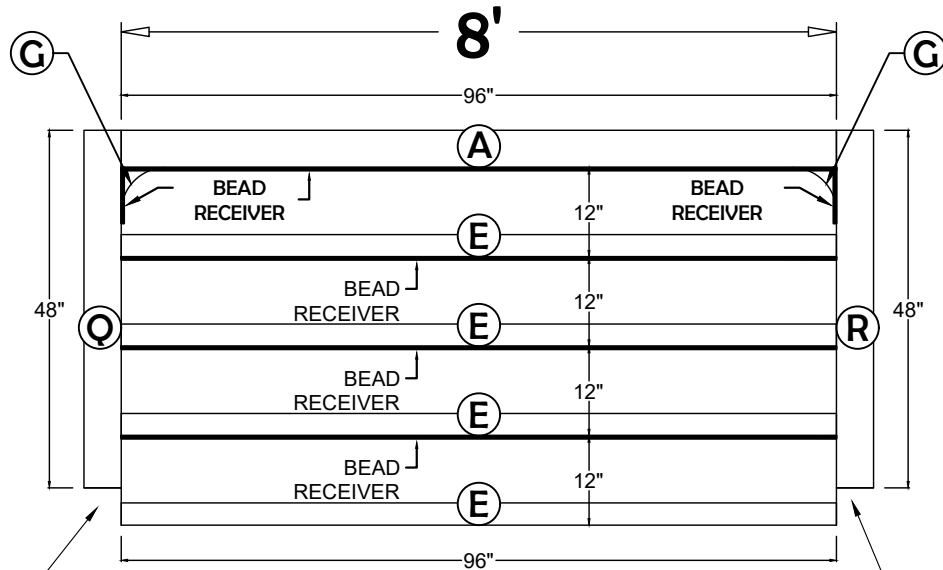


(UNIVERSAL LEFT  
FILLER SHOWN)

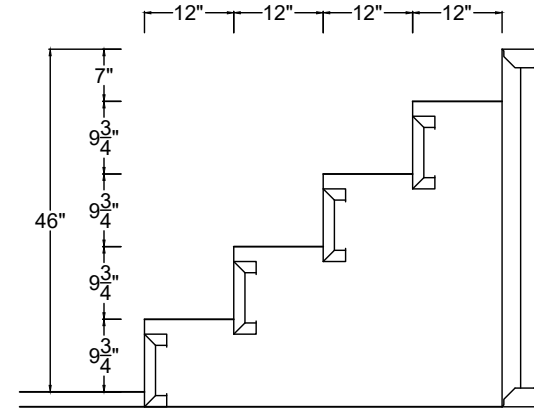
# BILL OF MATERIALS -

## 8' NEXUS STAIR for 48" WALL-04188BNS48

QTY	LETTER	PART #	EDGE CAP PART#	DESCRIPTION
1	A	04N003-48		8FT X 48IN NEXUS BACK PANEL W/3 STIFFENERS
1	Q	04N328-48		4FT X 48IN STAIR SIDE PANEL - RIGHT
1	R	04N327-48		4FT X 48IN STAIR SIDE PANEL - LEFT
4	E	04N010-48	04N016	8FT NEXUS RISER - 48IN STAIRS
2	G	04888-48		6"R TOP STEP FILLER - 48IN STAIRS(OPTIONAL)
1	N/A	PAK75		75 PACK HEX BOLT AND WASHER
5	N/A	048BRP		8' BEAD TRACK
1	N/A	TEK75		TEK SCREW PACK - 75PCS

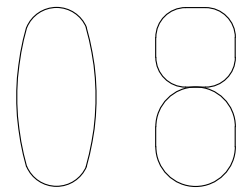


\*\*\*STOCK STAIR FILLER IS REQUIRED AND MUST BE ORDERED SEPARATELY\*\*\*



### PLEASE NOTE:

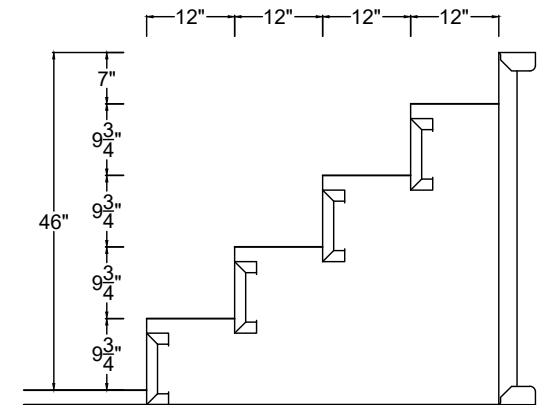
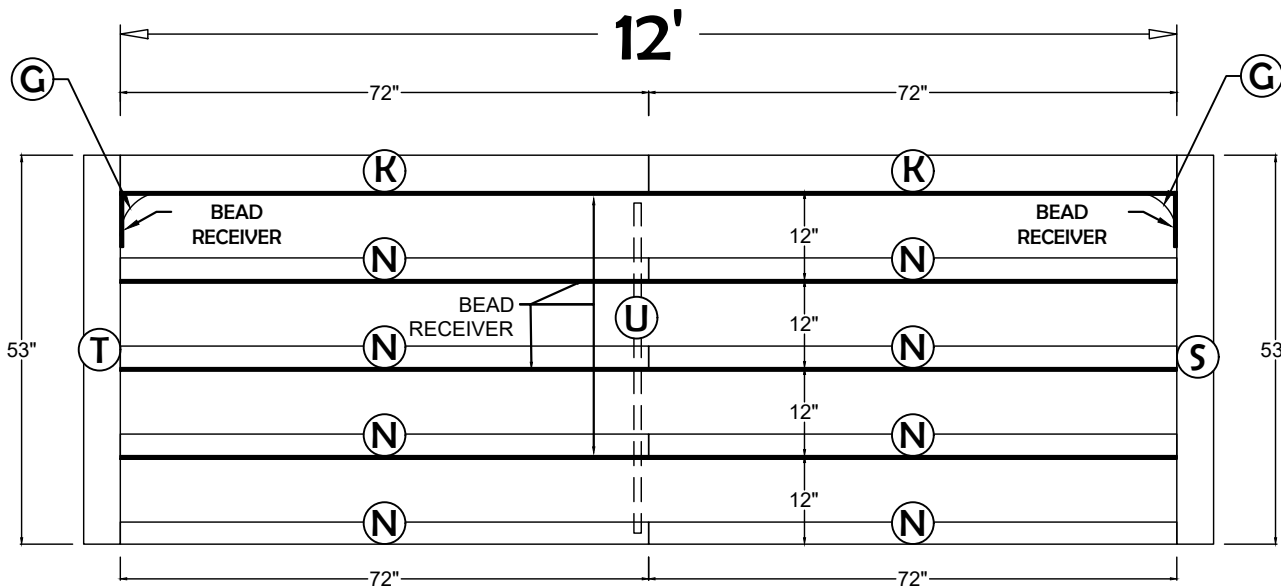
**04888-48 (6"R TOP STEP FILLER) IS INCLUDED W/ STEP AND INSTALLATION IS OPTIONAL PER INSTALLER**



# BILL OF MATERIALS -

## 12' NEXUS STAIR for 48" WALL-04516BNS48

QTY	LETTER	PART #	EDGE CAP PART#	DESCRIPTION
2	K	04N002-48		6FTX48IN NEXUS BACK PANEL W/2 STIFFENERS
1	T	04N298-48		4FT5IN X 48IN STAIR SIDE PANEL - RIGHT
1	S	04N299-48		4FT5IN X 48IN STAIR SIDE PANEL - LEFT
1	U	04N150-48		48IN FULL END STAIR BRACE 1PC
8	N	04N009-48	04N014	6FT NEXUS RISER - 48IN STAIRS
2	G	04888-48		6"R TOP STEP FILLER - 48IN STAIRS(OPTIONAL)
1	N/A	PAK75		75 PACK HEX BOLT AND WASHER
7	N/A	048BRP		8' BEAD TRACK
1	N/A	TEK75		TEK SCREW PACK - 75PCS

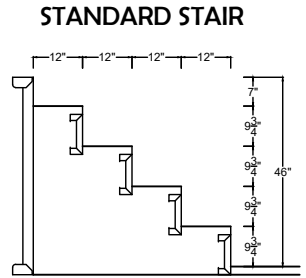
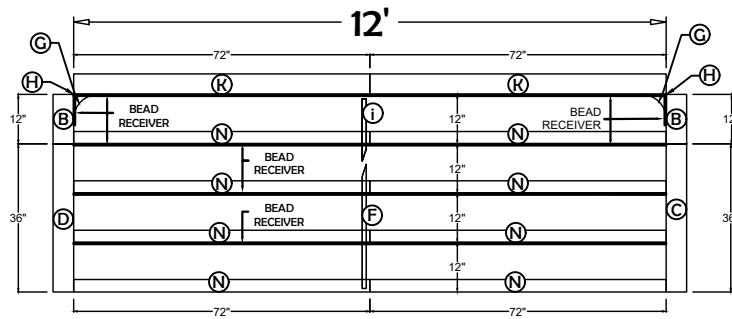


**PLEASE NOTE:**

**04888-48 (6"R TOP STEP FILLER) IS INCLUDED W/ STEP  
AND INSTALLATION IS OPTIONAL PER INSTALLER**

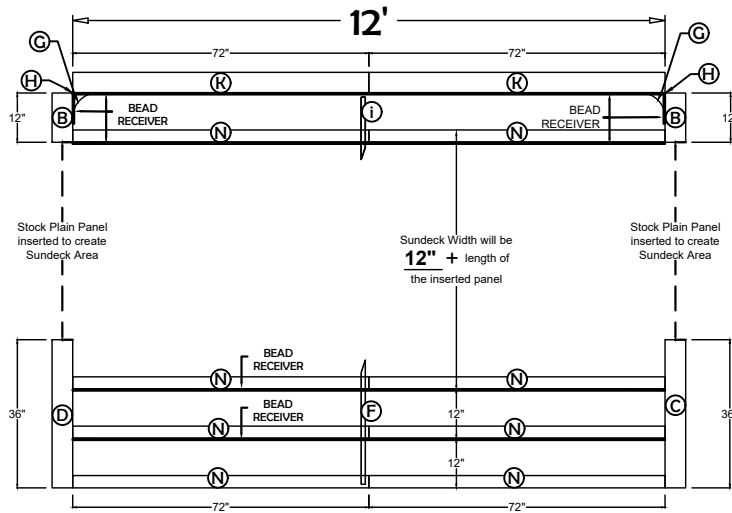
12

# 12' NEXUS VARIABLE STAIR / SUNDECK FOR 48" WALL-04VS1290-24B48

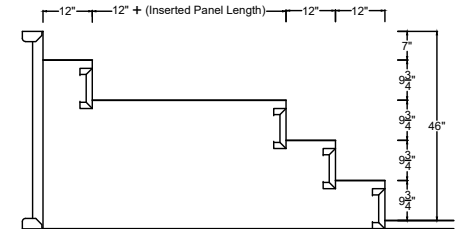


## BILL OF MATERIALS

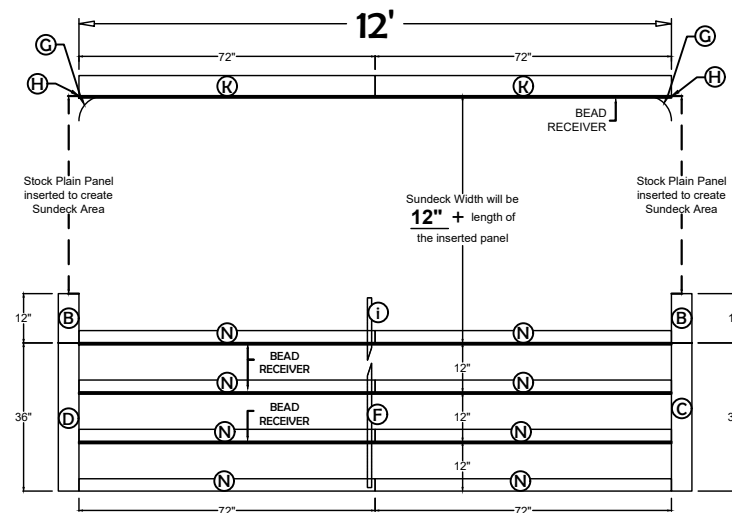
QTY	LETTER	PART #	EDGE CAP PART #	DESCRIPTION
2	K	04N002-48		6FTX48IN NEXUS BACK PANEL W/2 STIFFENERS
1	C	04N32448		3FT X 48IN STAIR SIDE PANEL - RIGHT
1	D	04N32548		3FT X 48IN STAIR SIDE PANEL - LEFT
2	B	04N32648		1FT X 48IN STAIR SIDE PANEL - TOP UNVRSL
1	F	04N296-1-48		48IN BOTTOM RISER/SUNDECK BRACE-PC 1/2
1	I	04N296-2-48		48IN TOP RISER/SUNDECK BRACE - PC 2/2
8	N	04N009-48	04N014	6FT NEXUS RISER - 48IN STAIRS
2	G	04888-48		6"R TOP STEP FILLER - 48IN STAIRS(OPTIONAL)
2	H	05216-48		90 DEG X 48IN CORNER FILLER
1	N/A	PAK100		100 PACK HEX BOLT AND WASHER
7	N/A	048BRP		8' BEAD TRACK
1	N/A	TEK75		TEK SCREW PACK - 75PCS



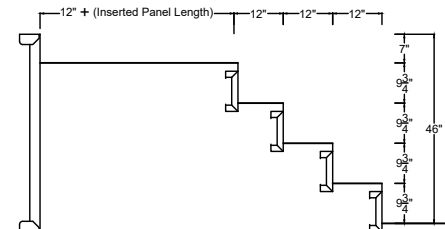
## STAIR w/ 2ND TREAD LEVEL SUNDECK



\*\*\*BEAD RECEIVER IS REQUIRED FOR SIDES OF SUNDECK AND MUST BE ORDERED SEPARATELY BASED ON QTY NEEDED\*\*\*



## STAIR w/ TOP TREAD LEVEL SUNDECK

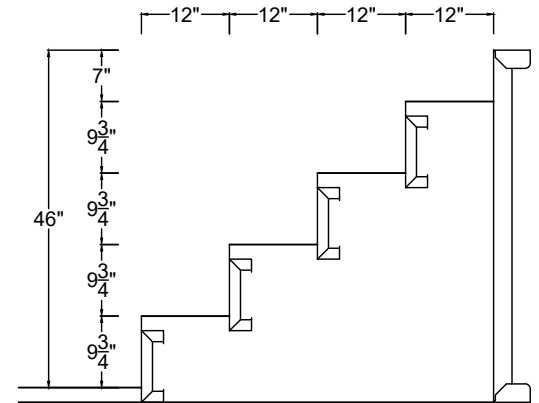
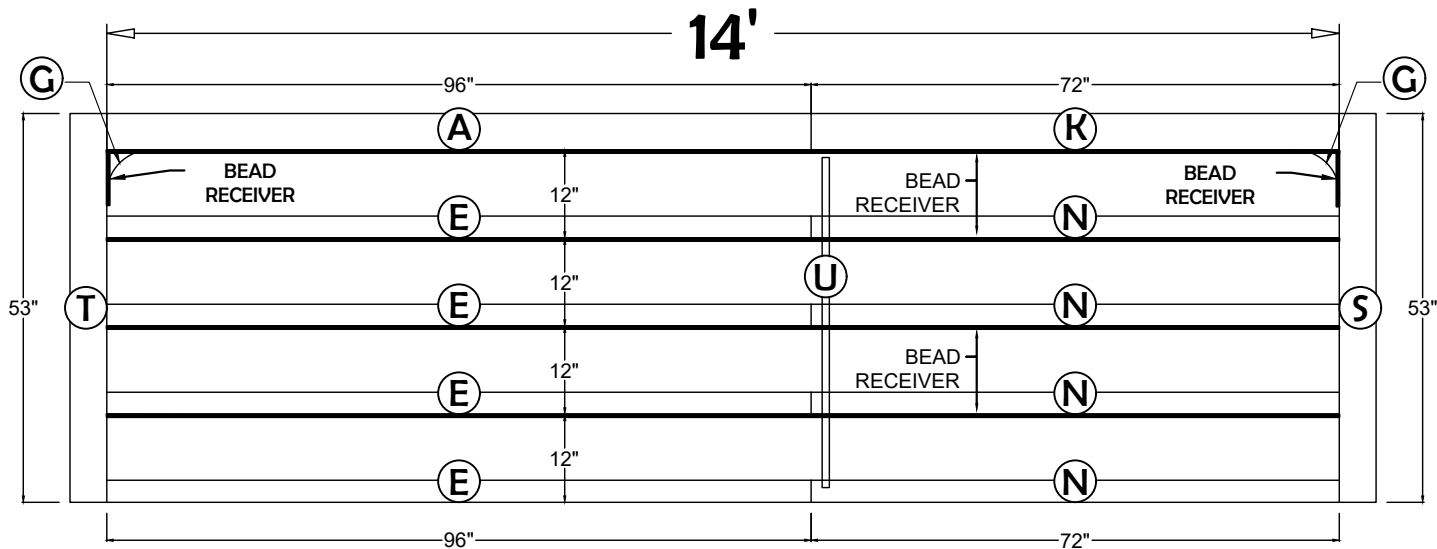


\*\*\*BEAD RECEIVER IS REQUIRED FOR SIDES OF SUNDECK AND MUST BE ORDERED SEPARATELY BASED ON QTY NEEDED\*\*\*

# BILL OF MATERIALS -

## 14' NEXUS STAIR for 48" WALL-04514BNS48

QTY	LETTER	PART #	EDGE CAP PART#	DESCRIPTION
1	K	04N002-48		6FTX48IN NEXUS BACK PANEL W/2 STIFFENERS
1	A	04N003-48		8FTX48IN NEXUS BACK PANEL W/3 STIFFENERS
1	T	04N298-48		4FT5IN X 48IN STAIR SIDE PANEL - RIGHT
1	S	04N299-48		4FT5IN X 48IN STAIR SIDE PANEL - LEFT
1	U	04N150-48		48IN FULL END STAIR BRACE 1PC
4	E	04N010-48	04N016	8FT NEXUS RISER - 48IN STAIRS
4	N	04N009-48	04N014	6FT NEXUS RISER - 48IN STAIRS
2	G	04888-48		6"R TOP STEP FILLER - 48IN STAIRS(OPTIONAL)
1	N/A	PAK75		75 PACK HEX BOLT AND WASHER
8	N/A	048BRP		8' BEAD TRACK
1	N/A	TEK75		TEK SCREW PACK - 75PCS



**PLEASE NOTE:**

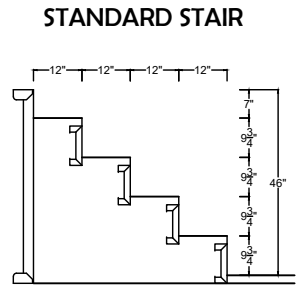
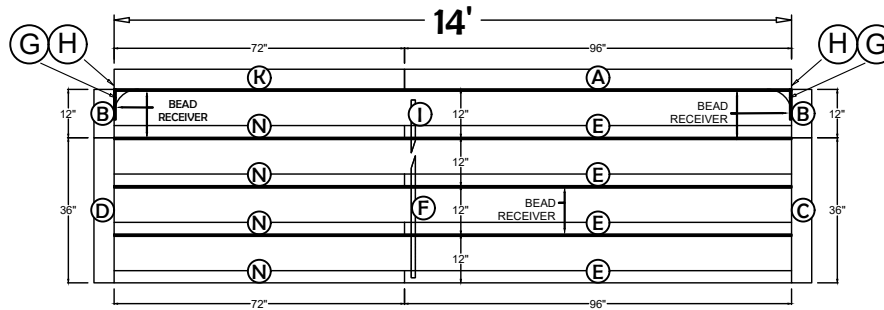
**04888-48 (6"R TOP STEP FILLER) IS INCLUDED W/ STEP  
AND INSTALLATION IS OPTIONAL PER INSTALLER**

14

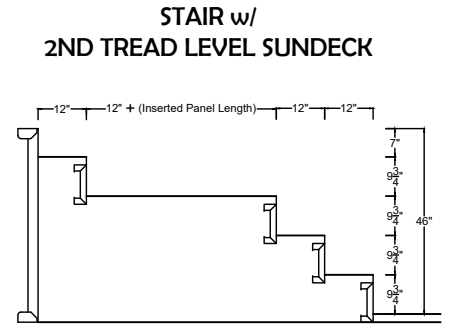
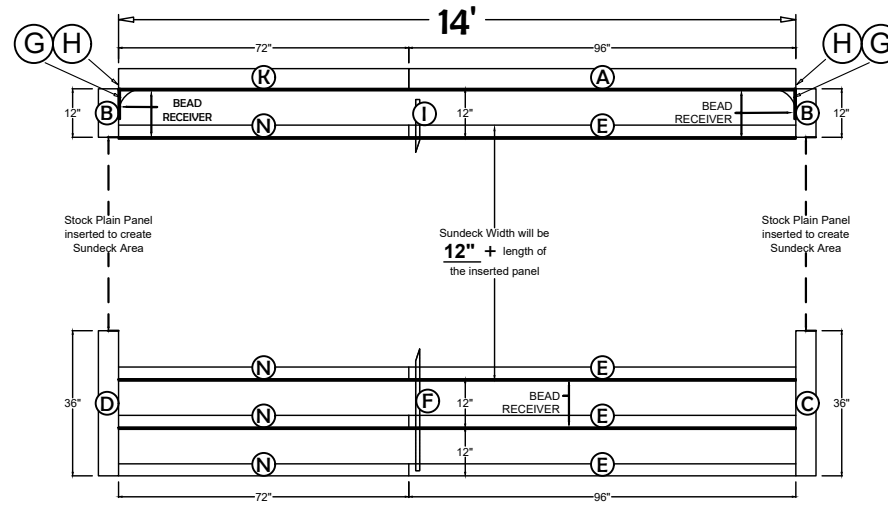
# 14' NEXUS VARIABLE STAIR / SUNDECK FOR 48" WALL- 04VS1490-24B48

## BILL OF MATERIALS

QTY	LETTER	PART #	EDGE CAP PART #	DESCRIPTION
1	K	04N002-48		6FTX48IN NEXUS BACK PANEL W/2 STIFFENERS
1	A	04N003-48		8FTX48IN NEXUS BACK PANEL W/3 STIFFENERS
1	C	04N32448		3FT X 48IN STAIR SIDE PANEL - RIGHT
1	D	04N32548		3FT X 48IN STAIR SIDE PANEL - LEFT
1	B	04N32648		1FT X 48IN STAIR SIDE PANEL - TOP UNVRSL
1	F	04N296-1-48		48IN BOTTOM RISER/SUNDECK BRACE-PC 1/2
1	I	04N296-2-48		48IN TOP RISER/SUNDECK BRACE - PC 2/2
4	E	04N010-48	04N016	8FT NEXUS RISER - 48IN STAIRS
2	H	05216-48		90 DEG X 48IN CORNER FILLER
4	N	04N009-48	04N014	6FT NEXUS RISER - 48IN STAIRS
2	G	04888-48		6'R TOP STEP FILLER - 48IN STAIRS(OPTIONAL)
1	N/A	PAK100		100 PACK HEX BOLT AND WASHER
8	N/A	048BRP		8' BEAD TRACK
1	N/A	TEK75		TEK SCREW PACK - 75PCS

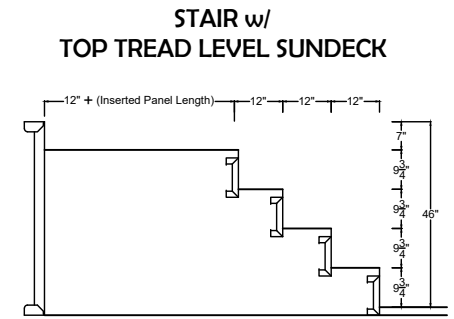
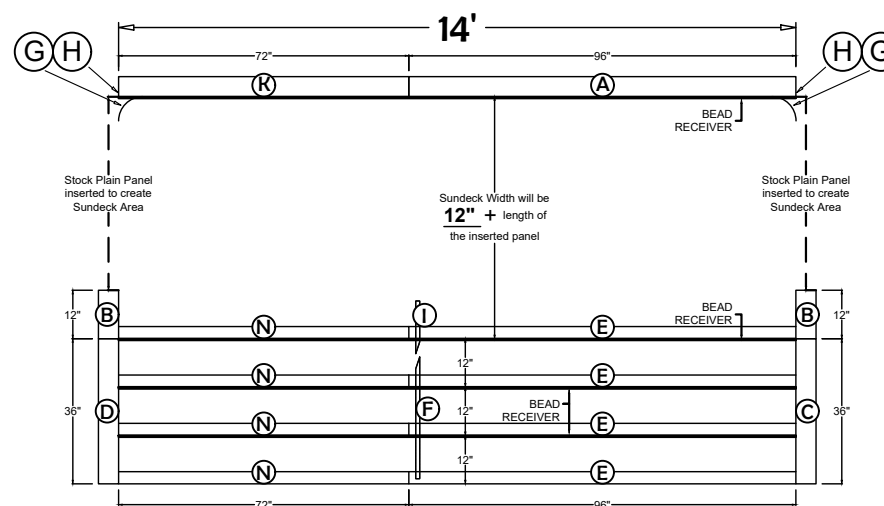


STANDARD STAIR



STAIR w/ 2ND TREAD LEVEL SUNDECK

\*\*\*BEAD RECEIVER IS REQUIRED FOR SIDES OF SUNDECK AND MUST BE ORDERED SEPARATELY BASED ON QTY NEEDED\*\*\*



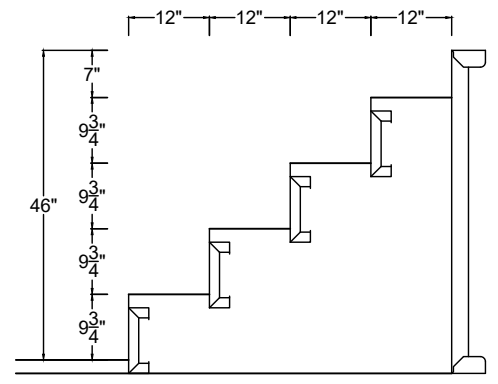
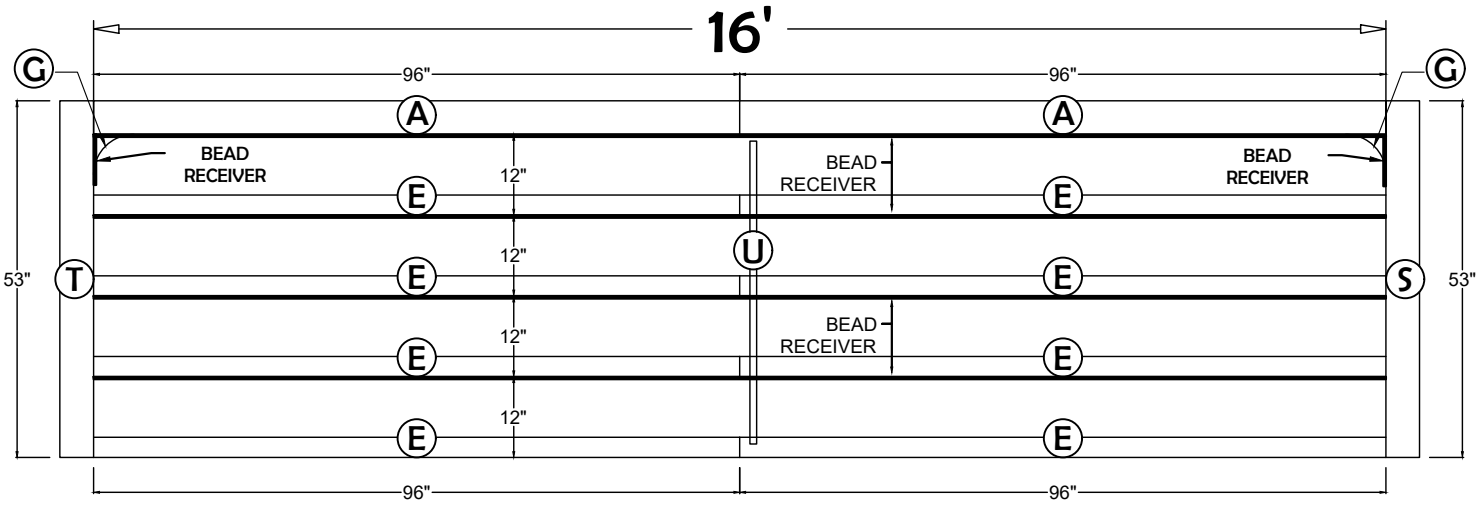
STAIR w/ TOP TREAD LEVEL SUNDECK

\*\*\*BEAD RECEIVER IS REQUIRED FOR SIDES OF SUNDECK AND MUST BE ORDERED SEPARATELY BASED ON QTY NEEDED\*\*\*

# BILL OF MATERIALS -

## 16' NEXUS STAIR for 48" WALL-04518BNS48

QTY	LETTER	PART #	EDGECAP PART#	DESCRIPTION
2	A	04N003-48		8FTX48IN NEXUS BACK PANEL W/3 STIFFENERS
1	T	04N298-48		4FT5IN X 48IN STAIR SIDE PANEL - RIGHT
1	S	04N299-48		4FT5IN X 48IN STAIR SIDE PANEL - LEFT
1	U	04N150-48		48IN FULL END STAIR BRACE 1PC
8	E	04N010-48	04N016	8FT NEXUS RISER - 48IN STAIRS
2	G	04888-48		6"R TOP STEP FILLER - 48IN STAIRS(OPTIONAL)
1	N/A	PAK75		75 PACK HEX BOLT AND WASHER
8	N/A	O48BRP		8' BEAD TRACK
1	N/A	TEK75		TEK SCREW PACK - 75PCS



16

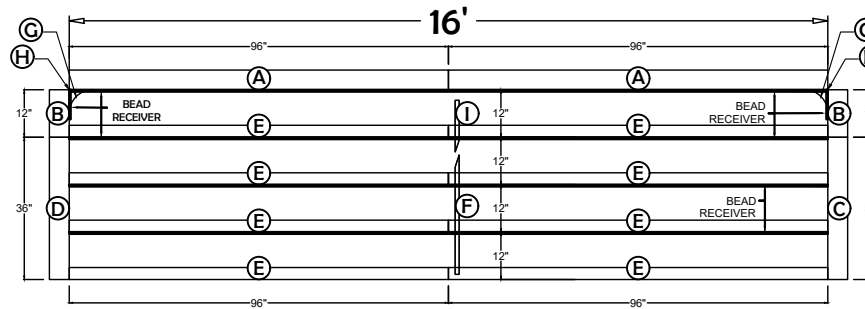
**PLEASE NOTE:**

**04888-48 (6"R TOP STEP FILLER) IS INCLUDED W/ STEP AND INSTALLATION IS OPTIONAL PER INSTALLER**

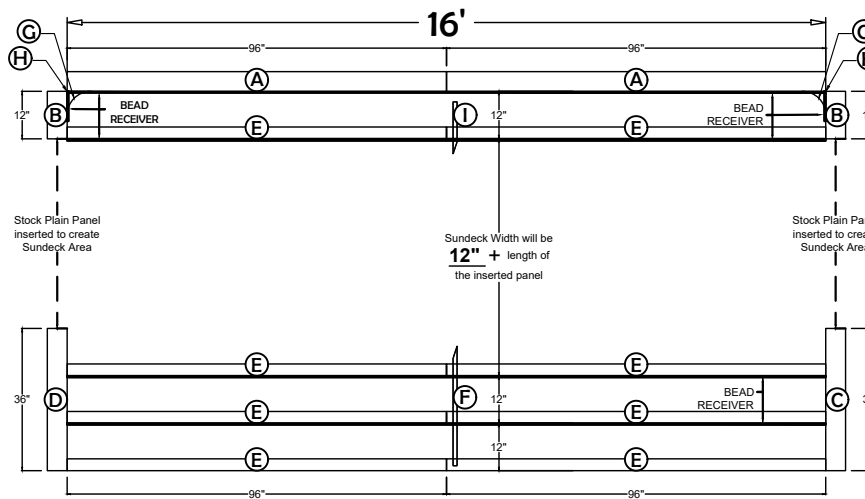
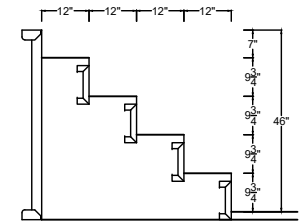
# 16' NEXUS VARIABLE STAIR / SUNDECK FOR 48" WALL-04VS1690-24B48

## BILL OF MATERIALS

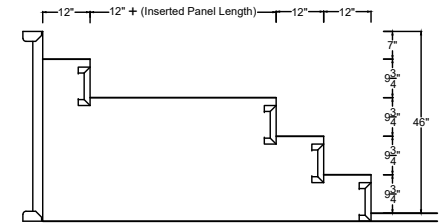
QTY	LETTER	PART #	EDGE CAP PART #	DESCRIPTION
3	K	04N002-48		6FTX48IN NEXUS BACK PANEL W/2 STIFFENERS
1	C	04N32448		3FT X 48IN STAIR SIDE PANEL - RIGHT
1	D	04N32548		3FT X 48IN STAIR SIDE PANEL - LEFT
2	B	04N32648		1FT X 48IN STAIR SIDE PANEL - TOP UNVRSL
2	F	04N296-1-48		48IN BOTTOM RISER/SUNDECK BRACE-PC 1/2
2	I	04N296-2-48		48IN TOP RISER/SUNDECK BRACE - PC 2/2
12	N	04N009-48	04N014	6FT NEXUS RISER - 48IN STAIRS
2	H	05216-48		90 DEG X 48IN CORNER FILLER
2	G	04888-48		6"R TOP STEP FILLER - 48IN STAIRS(OPTIONAL)
1	N/A	PAK100		100 PACK HEX BOLT AND WASHER
10	N/A	048BRP		8' BEAD TRACK
1	N/A	TEK75		TEK SCREW PACK - 75PCS



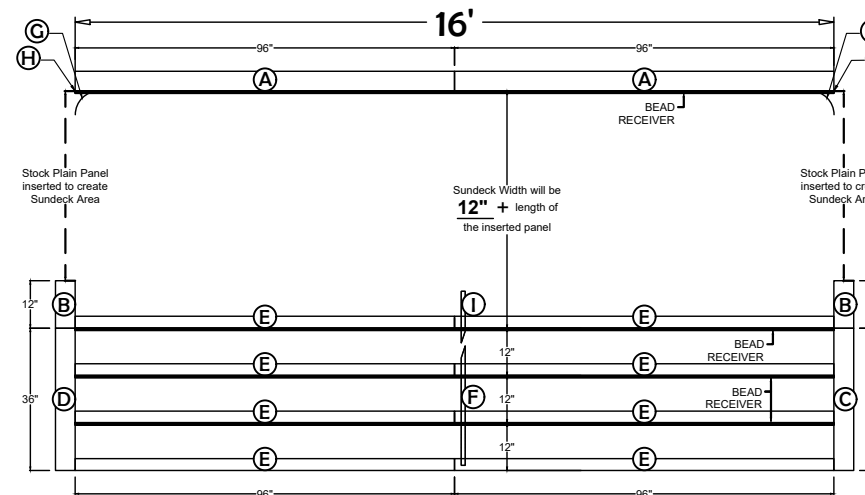
STANDARD STAIR



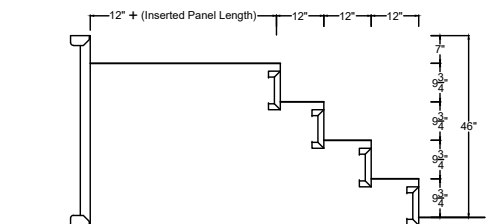
STAIR w/  
2ND TREAD LEVEL SUNDECK



\*\*\*BEAD RECEIVER IS REQUIRED FOR SIDES OF SUNDECK AND MUST BE ORDERED SEPARATELY BASED ON QTY NEEDED\*\*\*



STAIR w/  
TOP TREAD LEVEL SUNDECK



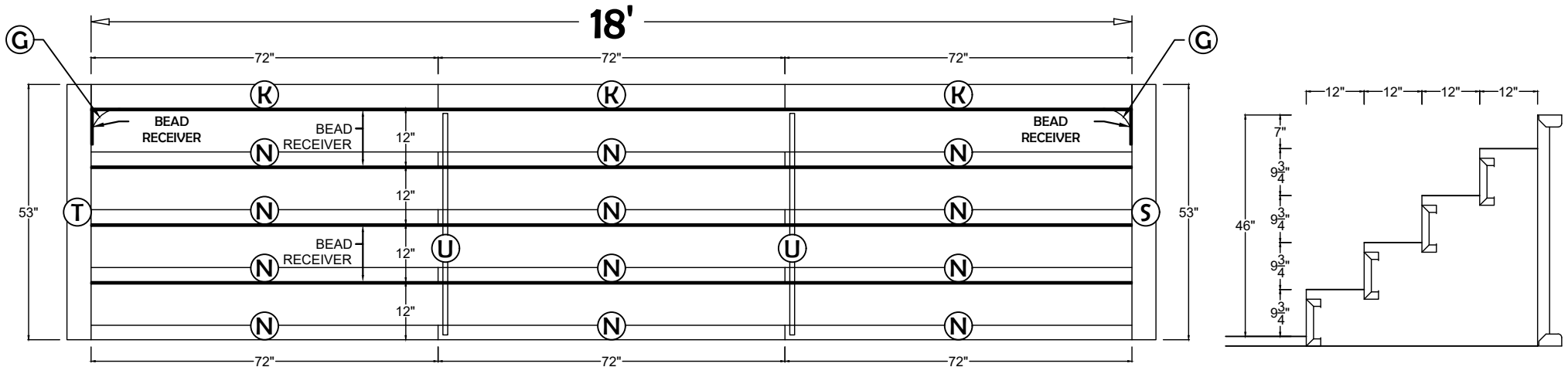
\*\*\*BEAD RECEIVER IS REQUIRED FOR SIDES OF SUNDECK AND MUST BE ORDERED SEPARATELY BASED ON QTY NEEDED\*\*\*



# BILL OF MATERIALS -

## 18' NEXUS STAIR for 48" WALL-04520BNS48

QTY	LETTER	PART #	EDGECAP PART#	DESCRIPTION
3	K	04N002-48		6FTX48IN NEXUS BACK PANEL W/2 STIFFENERS
1	T	04N298-48		4FT5IN X 48IN STAIR SIDE PANEL - RIGHT
1	S	04N299-48		4FT5IN X 48IN STAIR SIDE PANEL - LEFT
2	U	04N150-48		48IN FULL END STAIR BRACE 1PC
12	N	04N009-48	04N014	6FT NEXUS RISER - 48IN STAIRS
2	G	04888-48		6"R TOP STEP FILLER - 48IN STAIRS(OPTIONAL)
1	N/A	PAK75		75 PACK HEX BOLT AND WASHER
10	N/A	048BRP		8' BEAD TRACK
1	N/A	TEK75		TEK SCREW PACK - 75PCS



**PLEASE NOTE:**

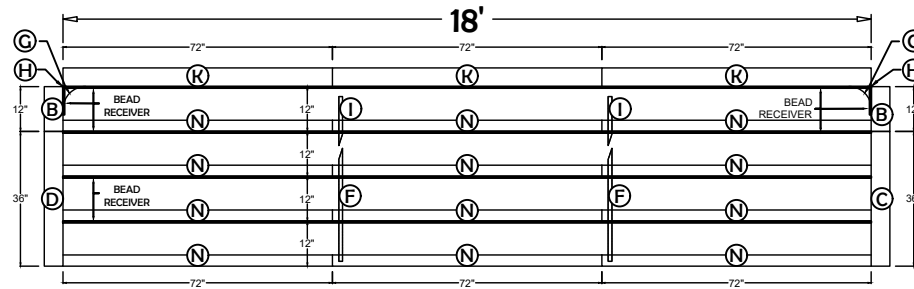
04888-48 (6"R TOP STEP FILLER) IS INCLUDED W/ STEP  
AND INSTALLATION IS OPTIONAL PER INSTALLER

18

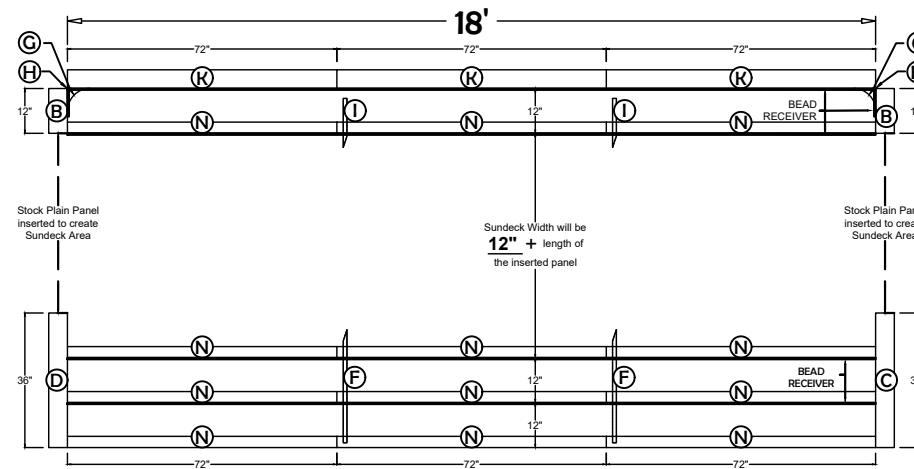
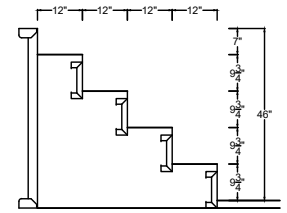
# 18' NEXUS VARIABLE STAIR / SUNDECK FOR 48" WALL-04VS1890-24B48

## BILL OF MATERIALS

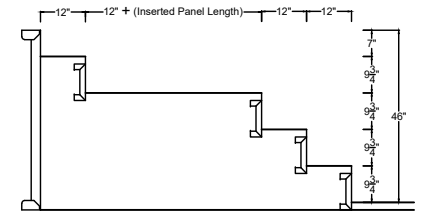
QTY	LETTER	PART #	EDGE CAP PART #	DESCRIPTION
3	K	04N002-48		6FTX48IN NEXUS BACK PANEL W/2 STIFFENERS
1	C	04N32448		3FT X 48IN STAIR SIDE PANEL - RIGHT
1	D	04N32548		3FT X 48IN STAIR SIDE PANEL - LEFT
2	B	04N32648		1FT X 48IN STAIR SIDE PANEL - TOP UNVR5L
2	F	04N296-1-48		48IN BOTTOM RISER/SUNDECK BRACE-PC 1/2
2	I	04N296-2-48		48IN TOP RISER/SUNDECK BRACE - PC 2/2
12	N	04N009-48	04N014	6FT NEXUS RISER - 48IN STAIRS
2	H	05216-48		90 DEG X 48IN CORNER FILLER
2	G	04888-48		6"R TOP STEP FILLER - 48IN STAIRS(OPTIONAL)
1	N/A	PAK100		100 PACK HEX BOLT AND WASHER
10	N/A	048BRP		8' BEAD TRACK
1	N/A	TEK75		TEK SCREW PACK - 75PCS



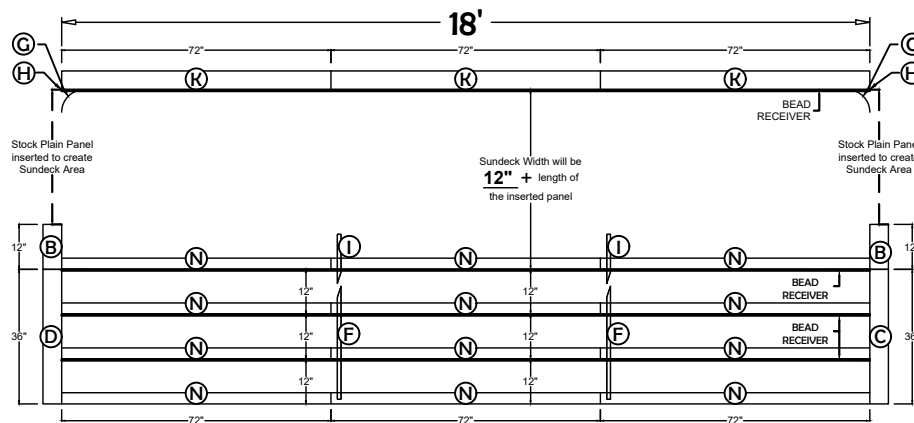
STANDARD STAIR



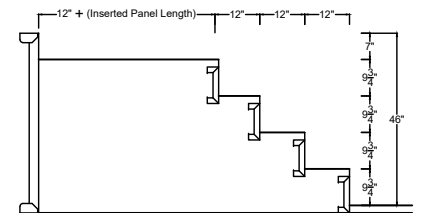
STAIR w/  
2ND TREAD LEVEL SUNDECK



\*\*\*BEAD RECEIVER IS REQUIRED FOR SIDES OF SUNDECK AND MUST BE ORDERED SEPARATELY BASED ON QTY NEEDED\*\*\*



STAIR w/  
TOP TREAD LEVEL SUNDECK

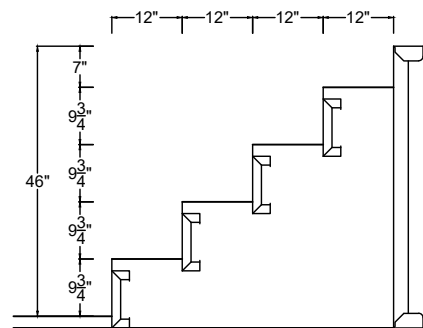
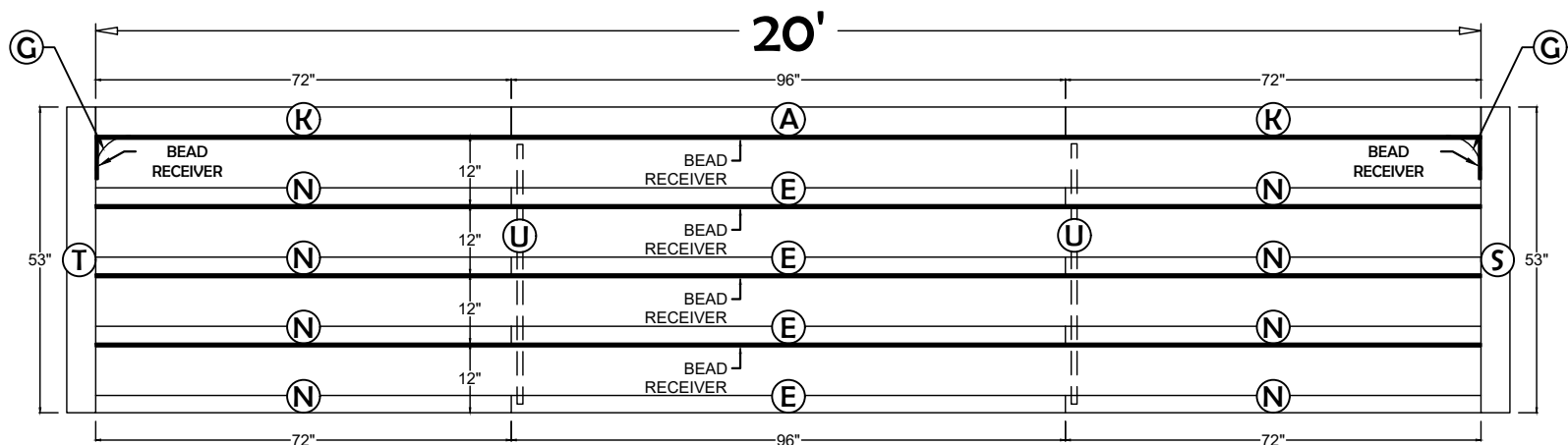


\*\*\*BEAD RECEIVER IS REQUIRED FOR SIDES OF SUNDECK AND MUST BE ORDERED SEPARATELY BASED ON QTY NEEDED\*\*\*

# BILL OF MATERIALS -

## 20' NEXUS STAIR for 48" WALL-04522BNS48

QTY	LETTER	PART #	EDGECAP PART#	DESCRIPTION
2	K	04N002-48		6FTX48IN NEXUS BACK PANEL W/2 STIFFENERS
1	A	04N003-48		8FTX48IN NEXUS BACK PANEL W/3 STIFFENERS
1	T	04N298-48		4FT5IN X 48IN STAIR SIDE PANEL - RIGHT
1	S	04N299-48		4FT5IN X 48IN STAIR SIDE PANEL - LEFT
2	U	04N150-48		48IN FULL END STAIR BRACE 1PC
8	N	04N009-48	04N014	6FT NEXUS RISER - 48IN STAIRS
4	E	04N010-48	04N016	8FT NEXUS RISER - 48IN STAIRS
2	G	04888-48		6"R TOP STEP FILLER - 48IN STAIRS(OPTIONAL)
1	N/A	PAK75		75 PACK HEX BOLT AND WASHER
11	N/A	048BRP		8' BEAD TRACK
1	N/A	TEK75		TEK SCREW PACK - 75PCS



**PLEASE NOTE:**

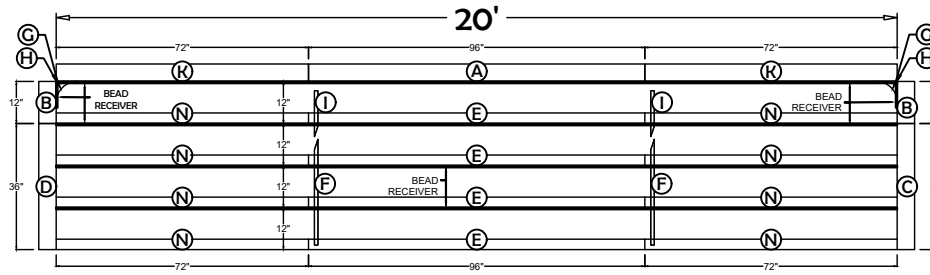
04888-48 (6"R TOP STEP FILLER) IS INCLUDED W/ STEP  
AND INSTALLATION IS OPTIONAL PER INSTALLER

20

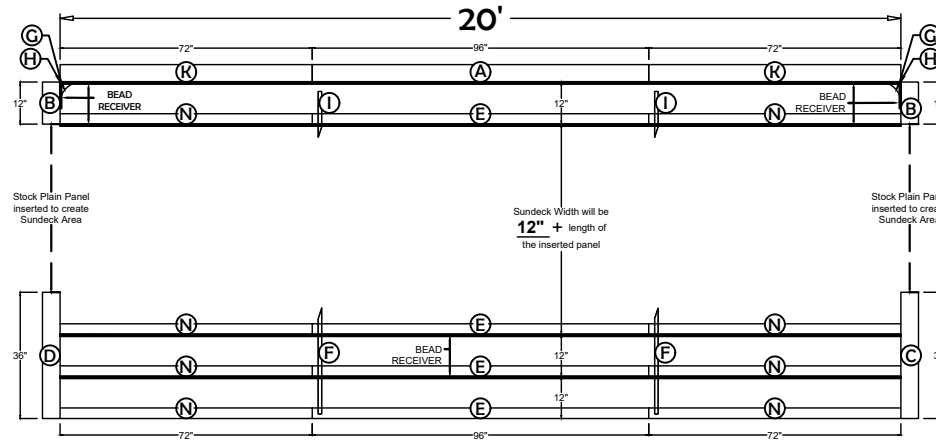
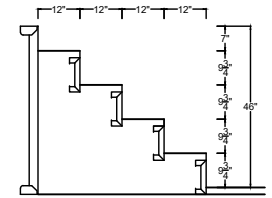
# 20' NEXUS VARIABLE STAIR / SUNDECK FOR 48" WALL - 04VS2090-24B-48

## BILL OF MATERIALS

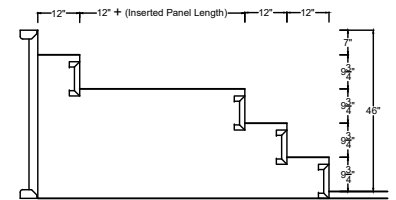
QTY	LETTER	PART #	EDGE CAP PART #	DESCRIPTION
2	K	04N002-48		6FTX48IN NEXUS BACK PANEL W/2 STIFFENERS
1	A	04N003-48		8FTX48IN NEXUS BACK PANEL W/3 STIFFENERS
1	C	04N32448		3FT X 48IN STAIR SIDE PANEL - RIGHT
1	D	04N32548		3FT X 48IN STAIR SIDE PANEL - LEFT
2	B	04N32648		1FT X 48IN STAIR SIDE PANEL - TOP UNVRSL
2	F	04N296-1-48		48IN BOTTOM RISER/SUNDECK BRACE-PC 1/2
2	I	04N296-2-48		48IN TOP RISER/SUNDECK BRACE - PC 2/2
8	N	04N009-48	04N014	6FT NEXUS RISER - 48IN STAIRS
4	E	04N010-48	04N016	8FT NEXUS RISER - 48IN STAIRS
2	H	05216-48		90 DEG X 48IN CORNER FILLER
2	G	04888-48		6"R TOP STEP FILLER - 48IN STAIRS(OPTIONAL)
1	N/A	PAK100		100 PACK HEX BOLT AND WASHER
11	N/A	048BRP		8' BEAD TRACK
1	N/A	TEK75		TEK SCREW PACK - 75PCS



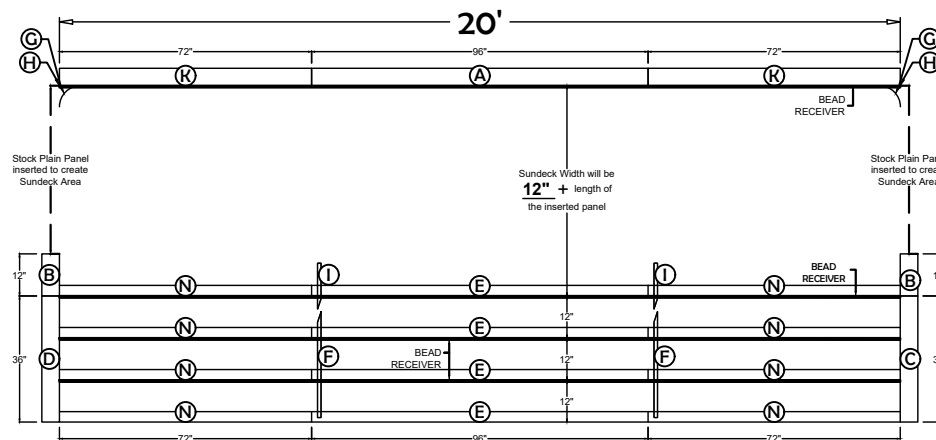
STANDARD STAIR



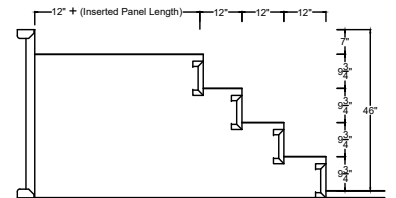
STAIR w/  
2ND TREAD LEVEL SUNDECK



\*\*\*BEAD RECEIVER IS REQUIRED FOR SIDES OF SUNDECK AND MUST BE ORDERED SEPARATELY BASED ON QTY NEEDED\*\*\*



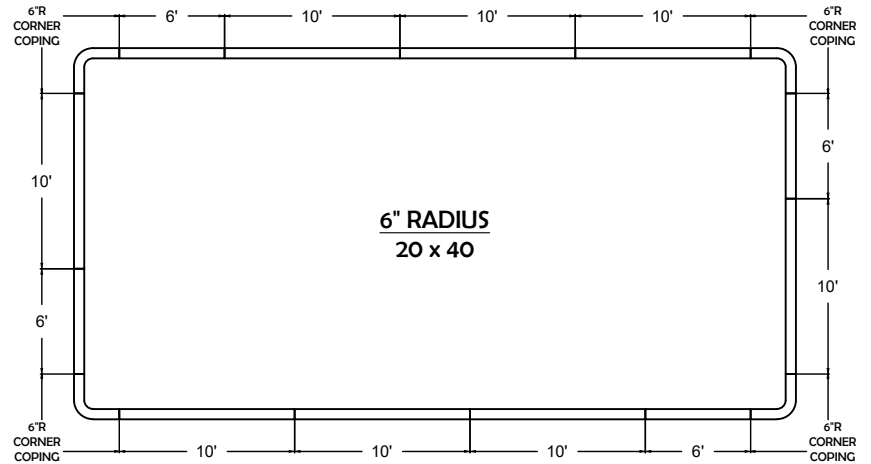
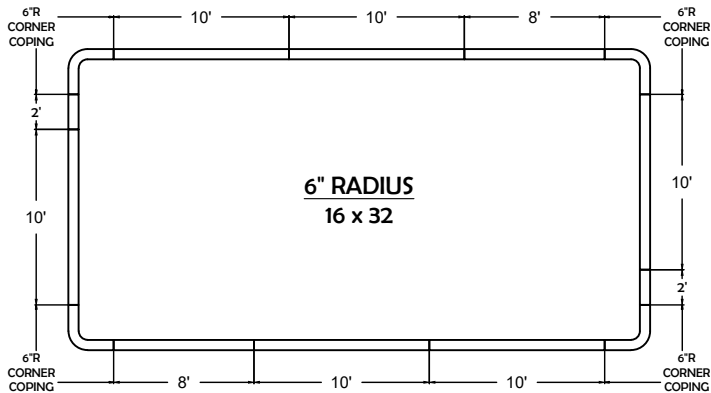
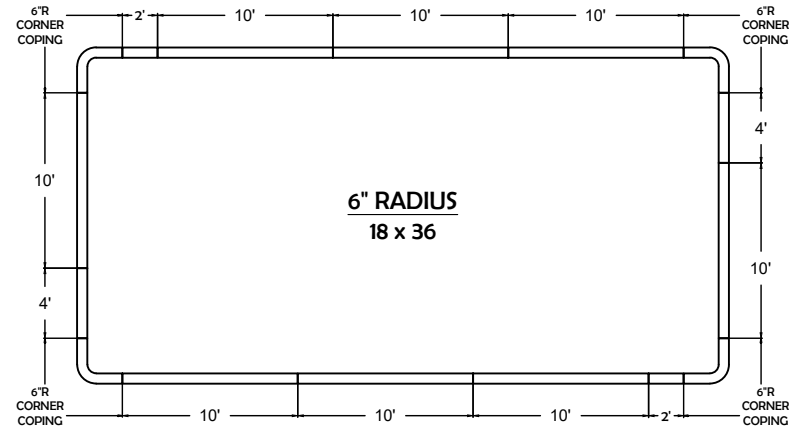
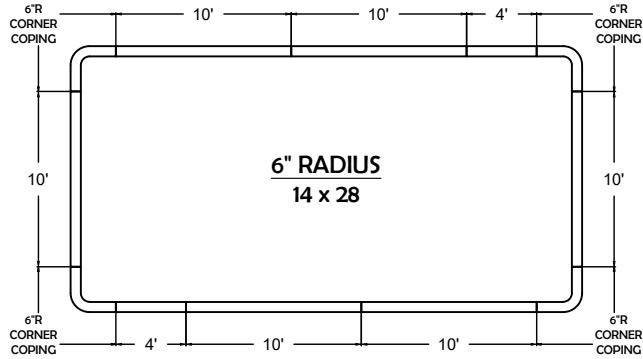
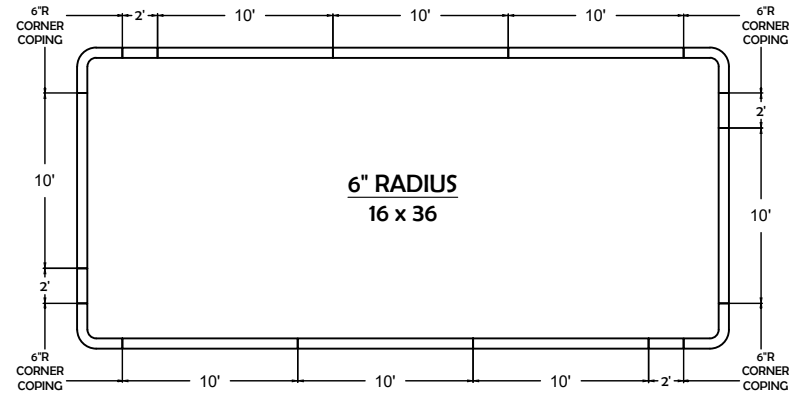
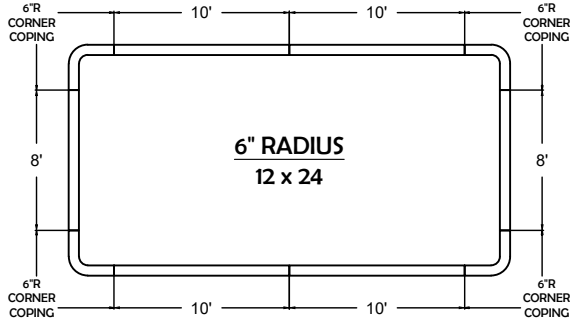
STAIR w/  
TOP TREAD LEVEL SUNDECK



\*\*\*BEAD RECEIVER IS REQUIRED FOR SIDES OF SUNDECK AND MUST BE ORDERED SEPARATELY BASED ON QTY NEEDED\*\*\*

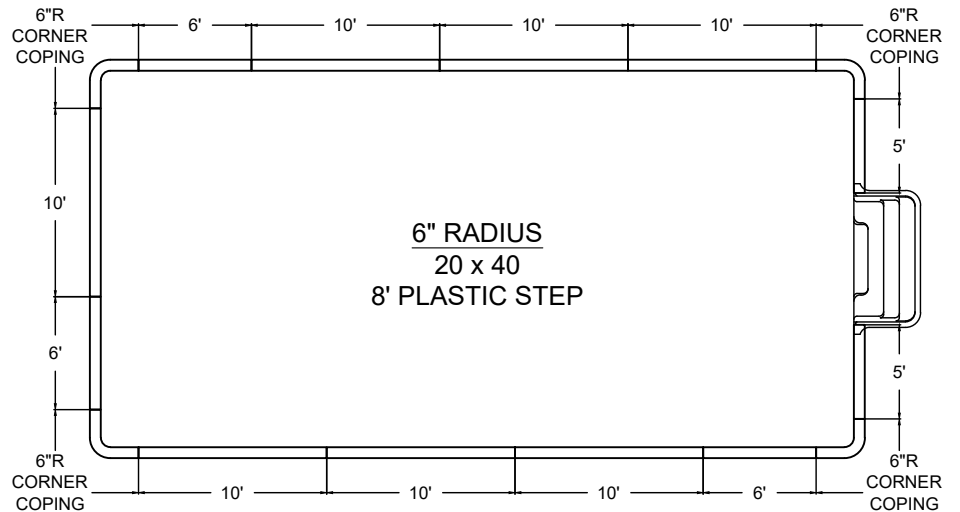
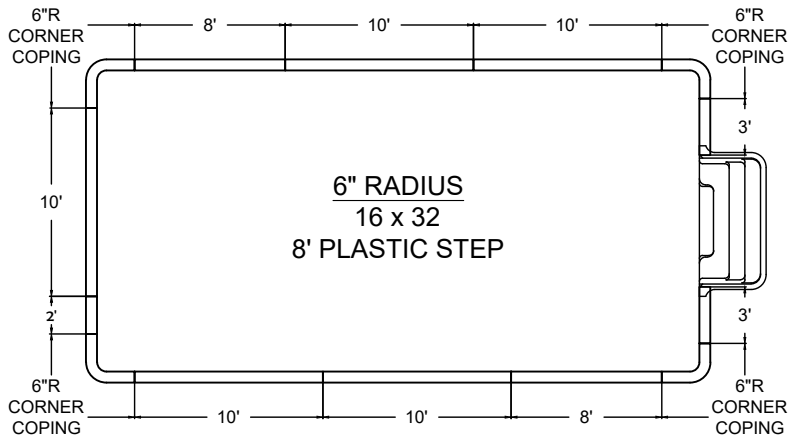
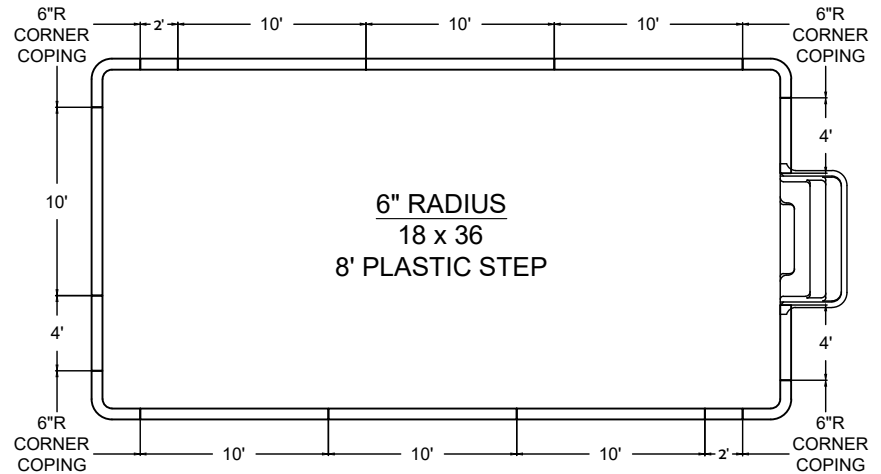
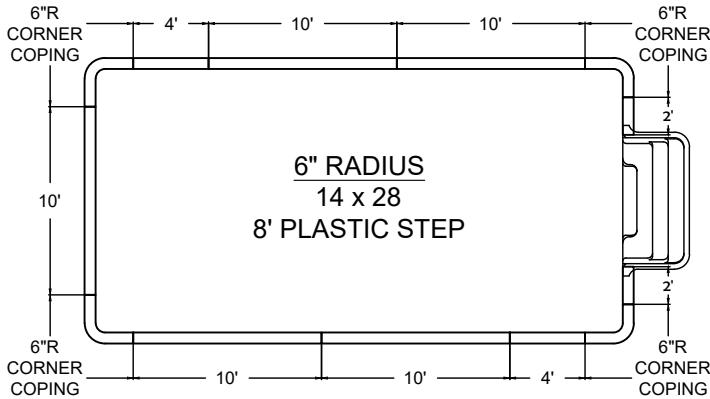
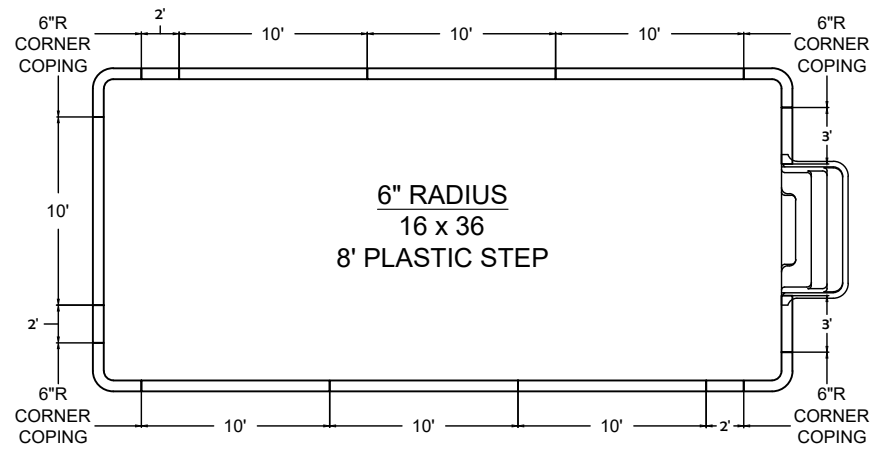
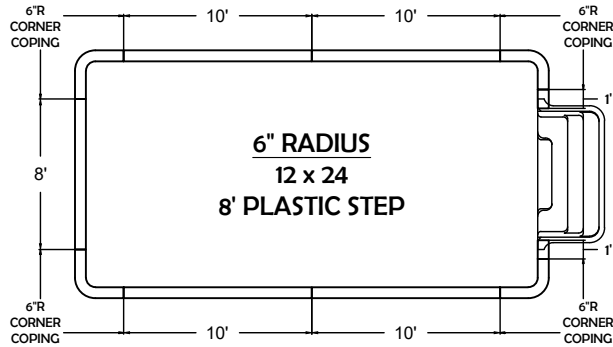
# Coping Layouts - Progressive

## 6"R corners Perimeter

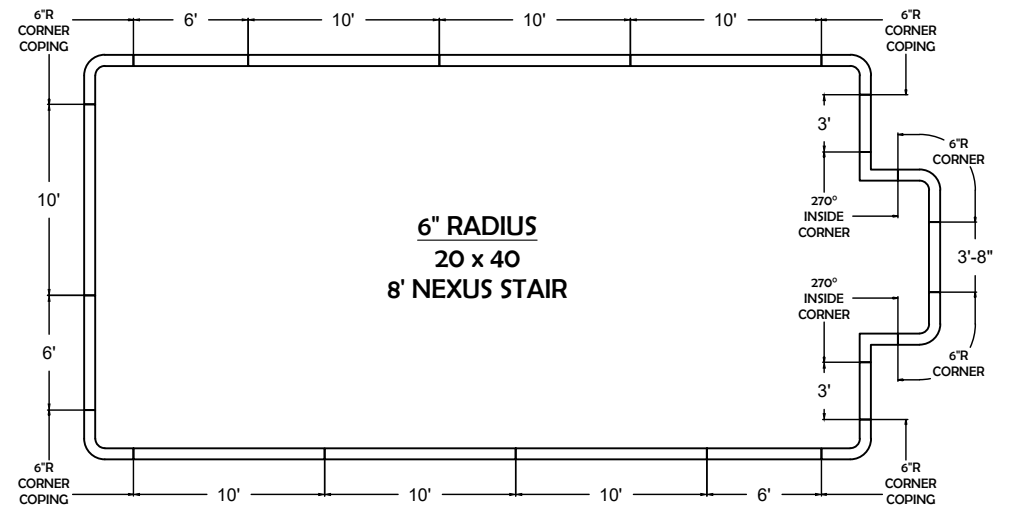
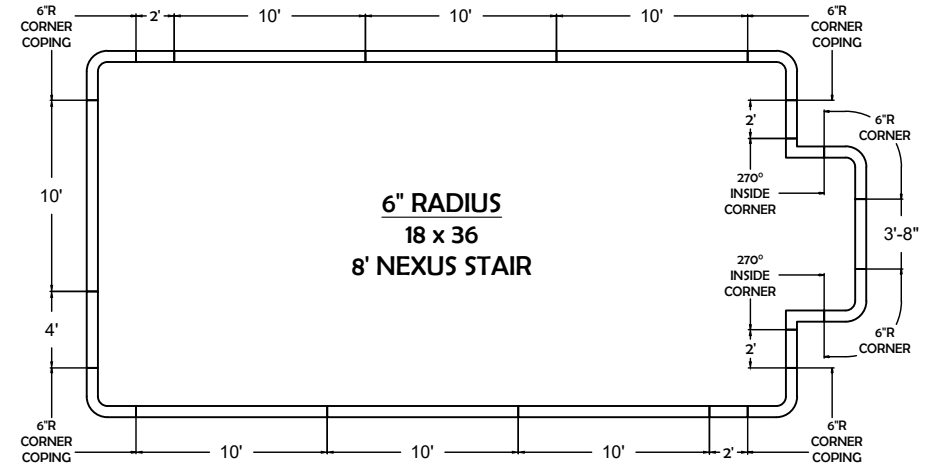
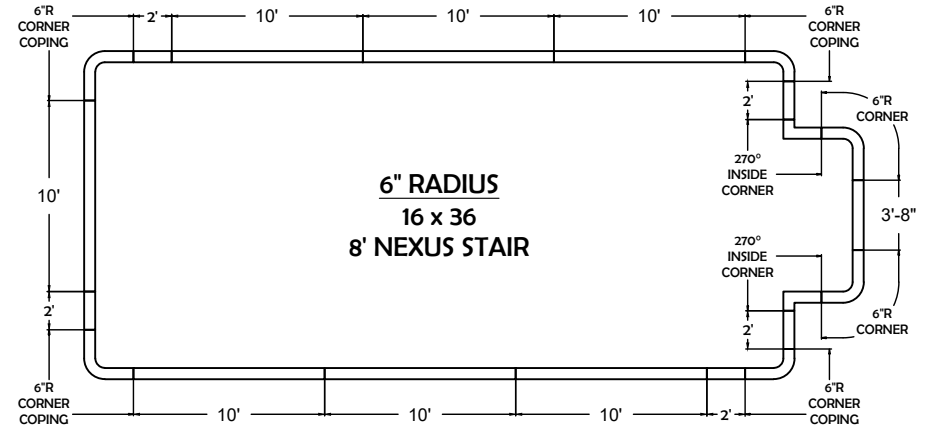
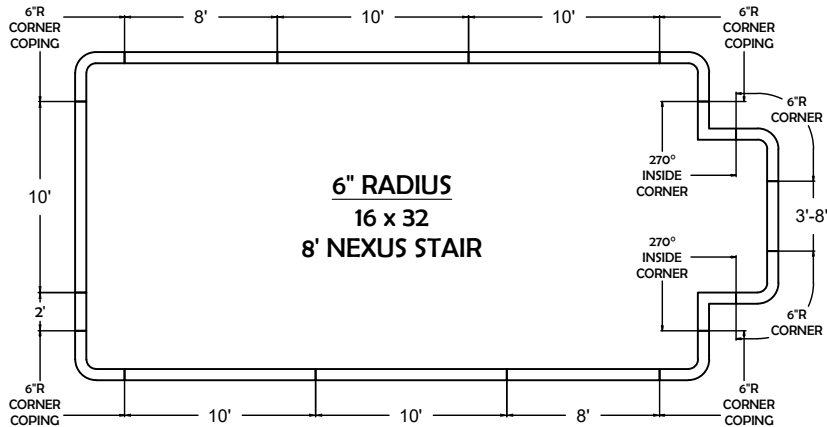
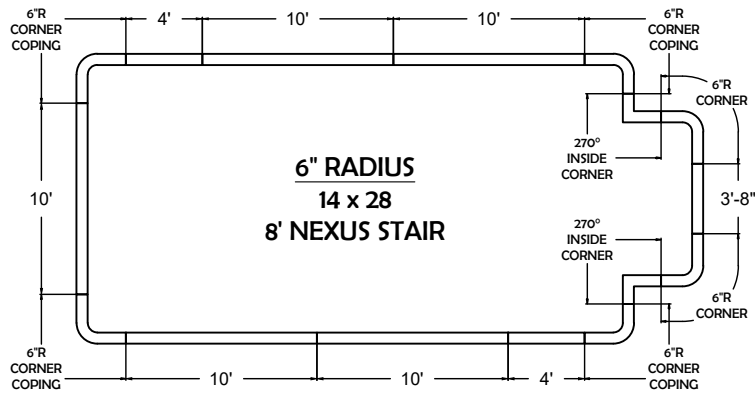
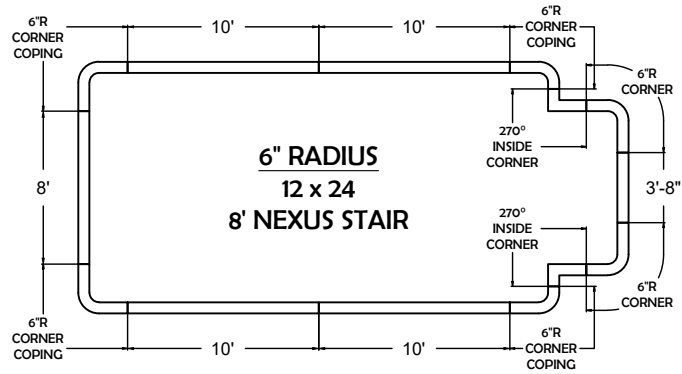


# Coping Layouts - Progressive

## 6"R corners Center Plastic Stair

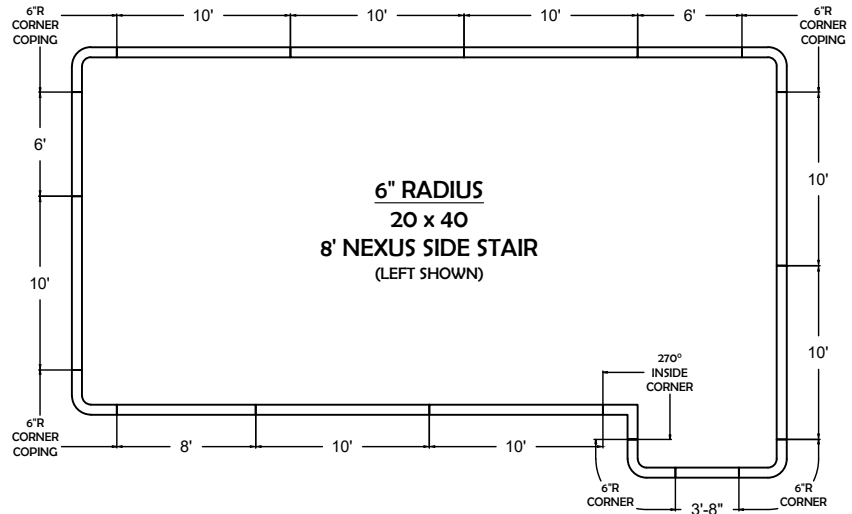
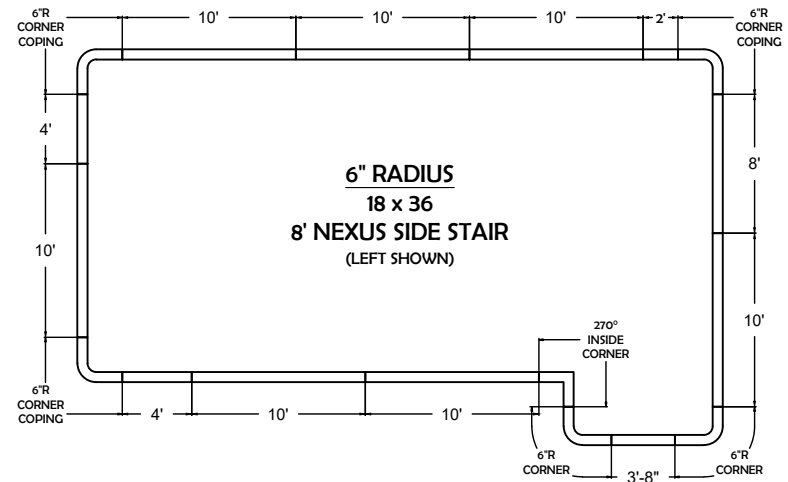
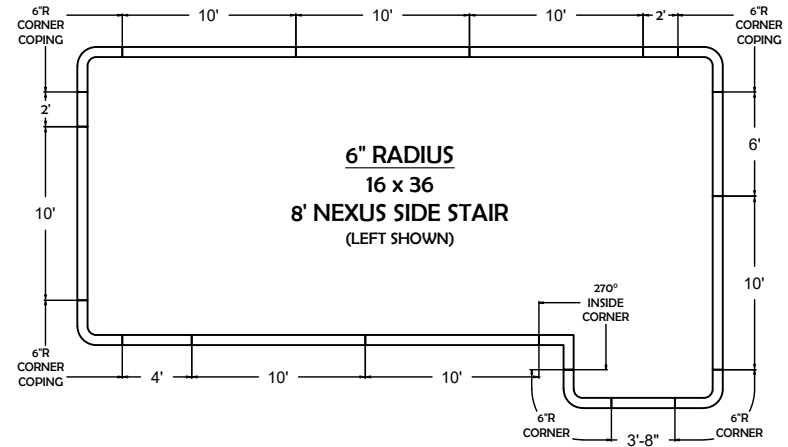
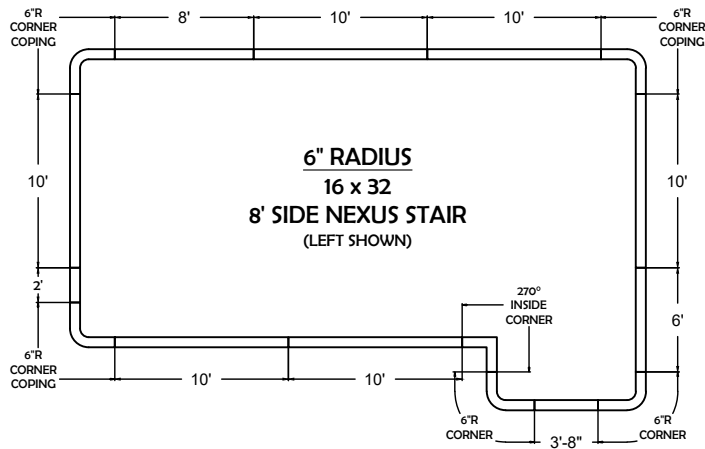
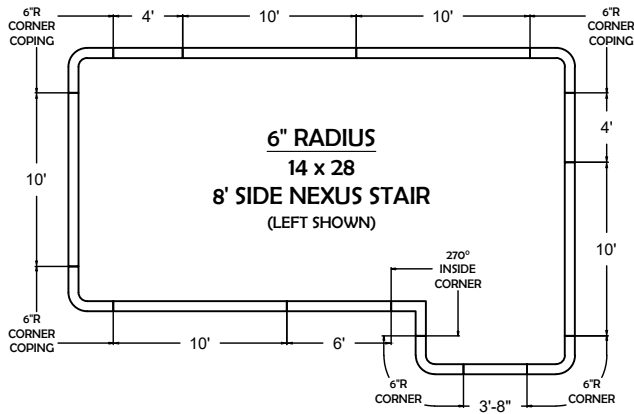
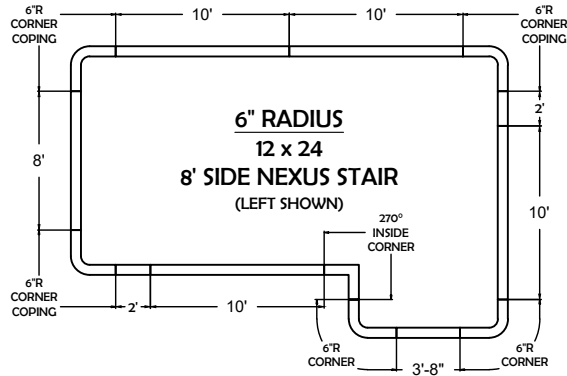


# Coping Layouts - Progressive 6"R corners Center Steel Stair



# Coping Layouts - Progressive

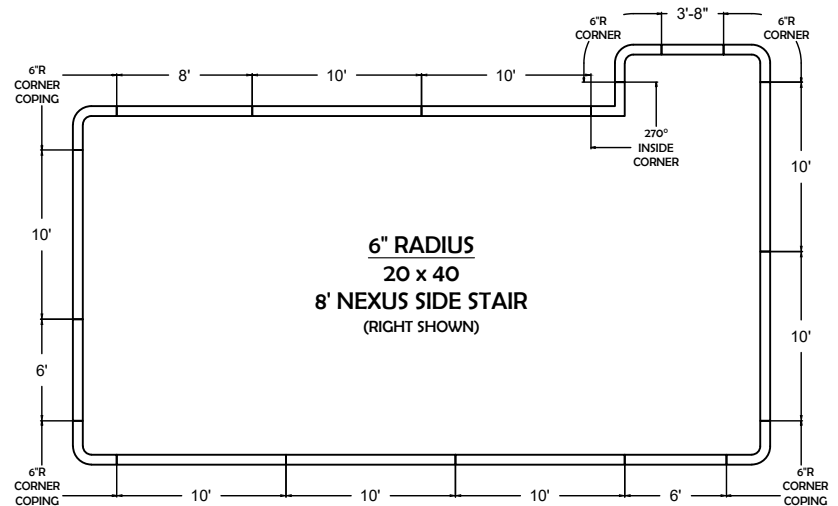
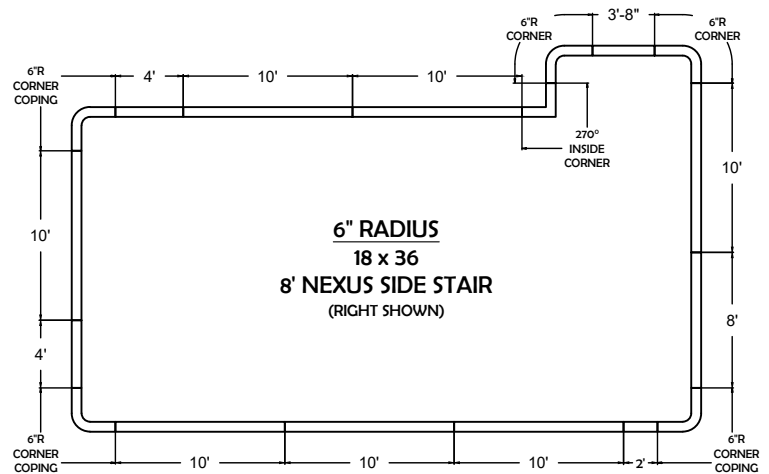
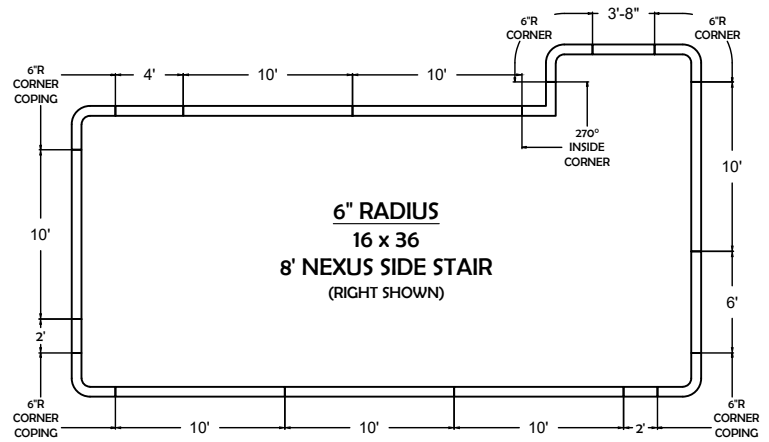
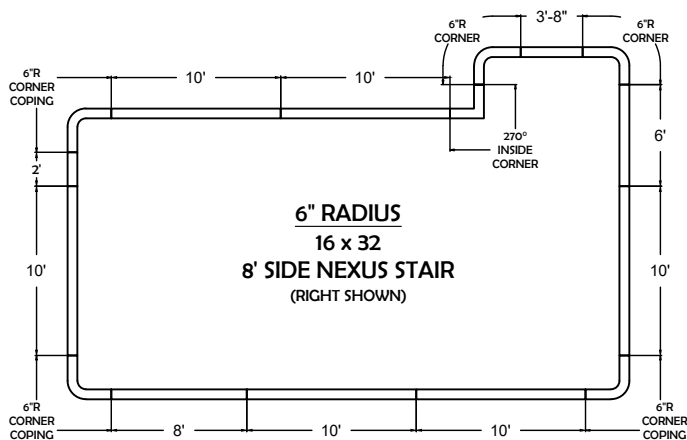
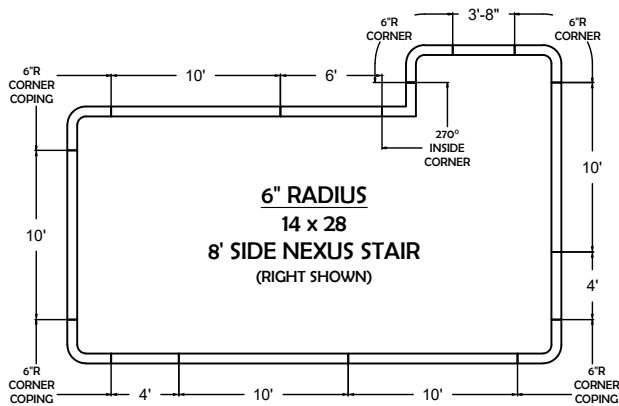
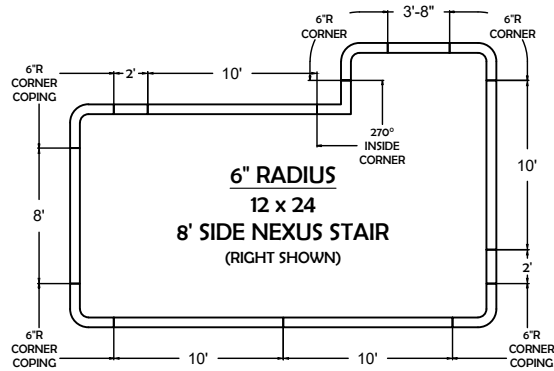
## 6"R corners Left 3 Corner Stair





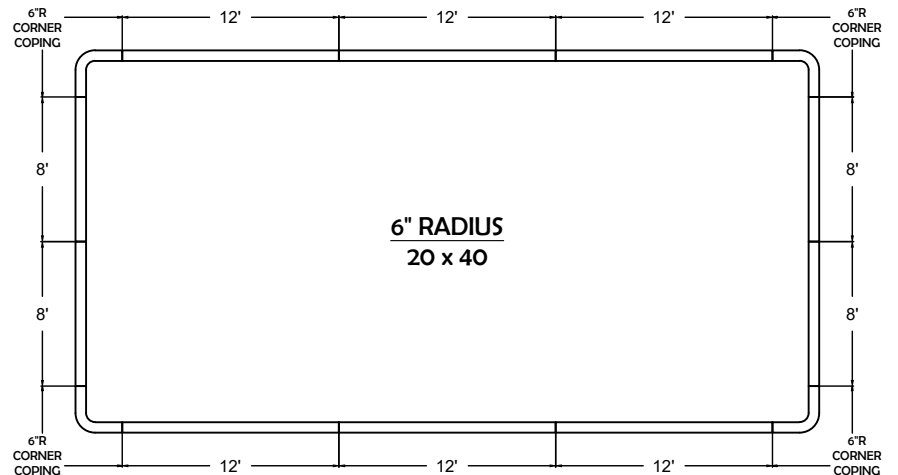
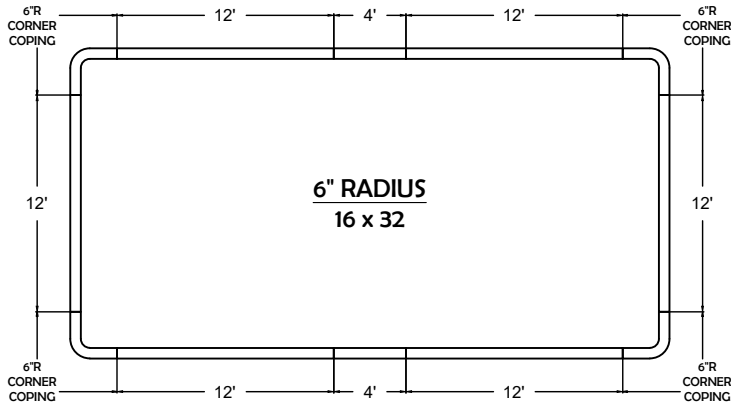
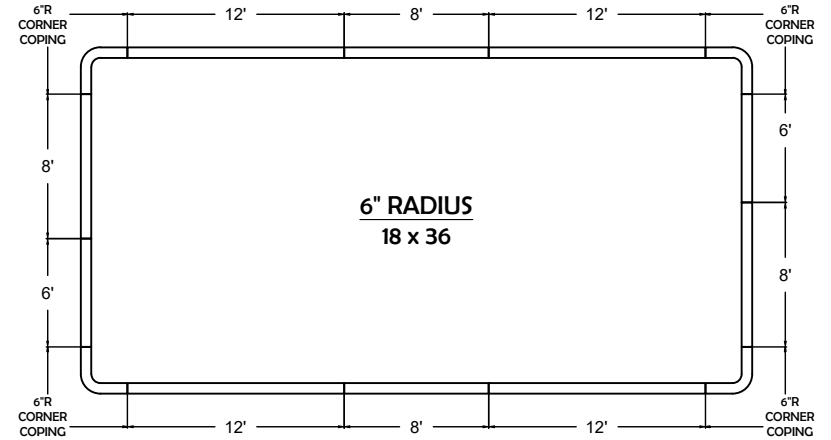
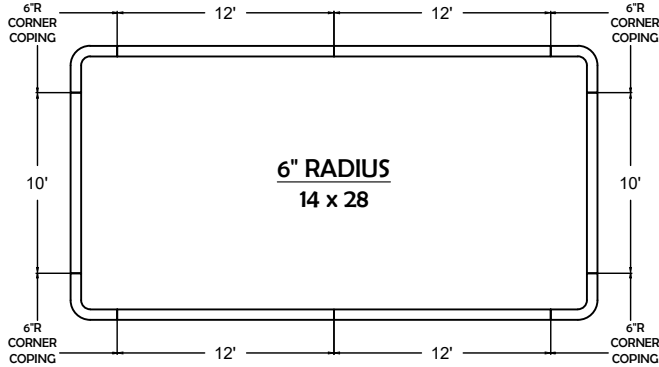
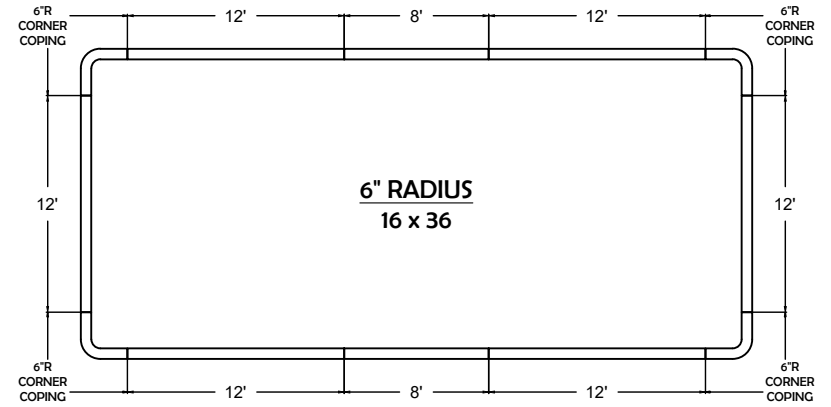
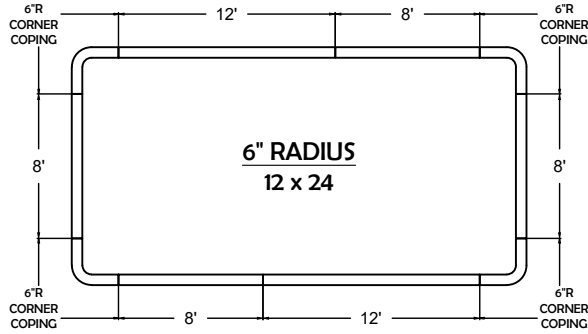
# Coping Layouts - Progressive

## 6"R corners Right 3 Corner Stair



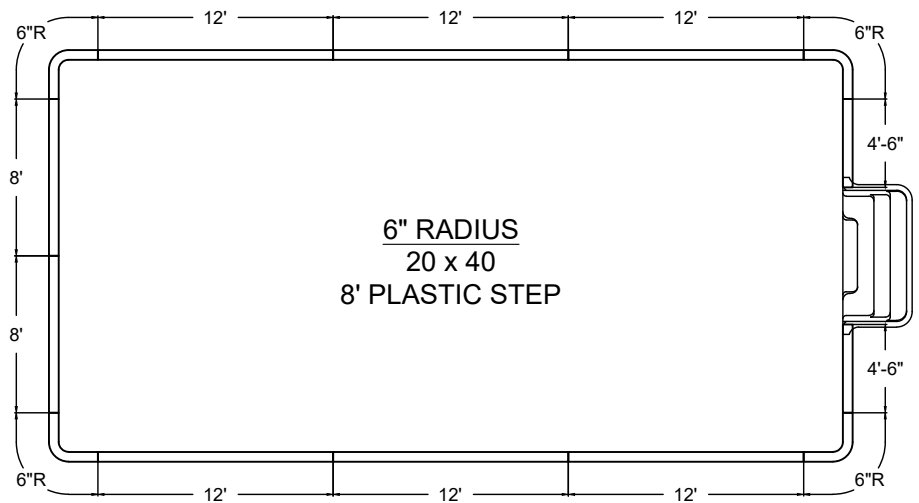
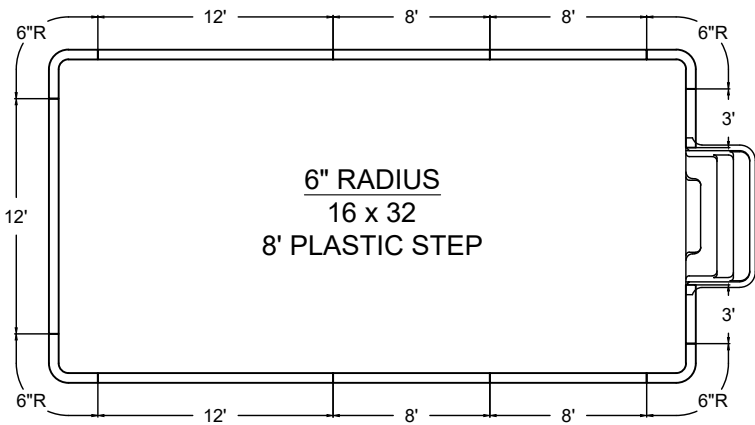
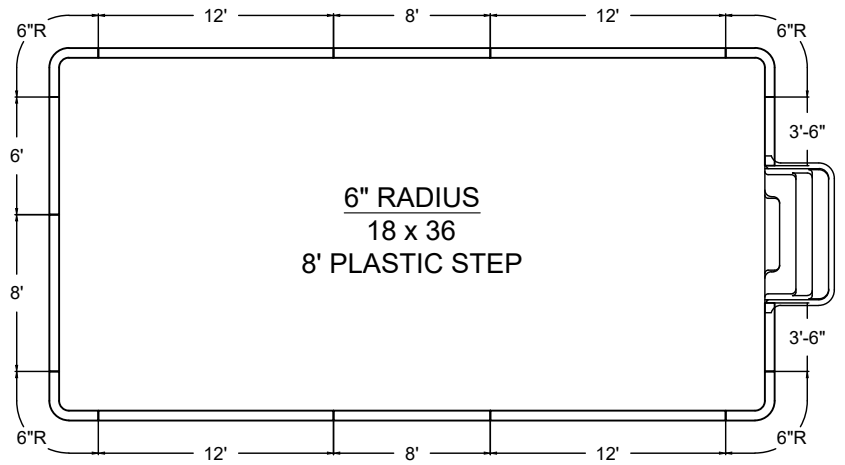
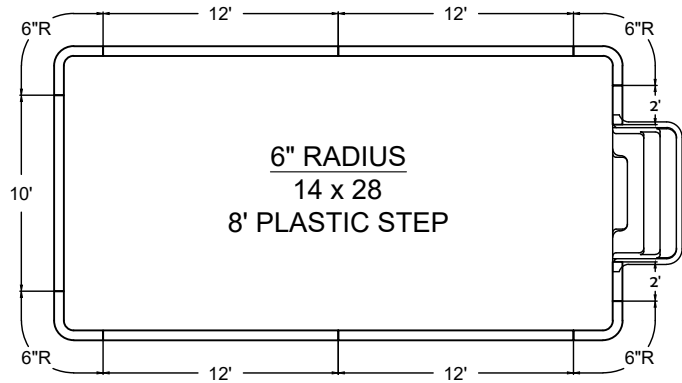
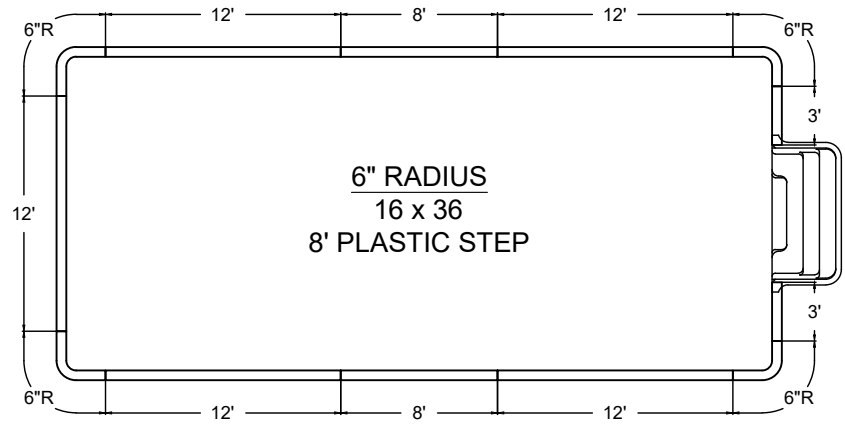
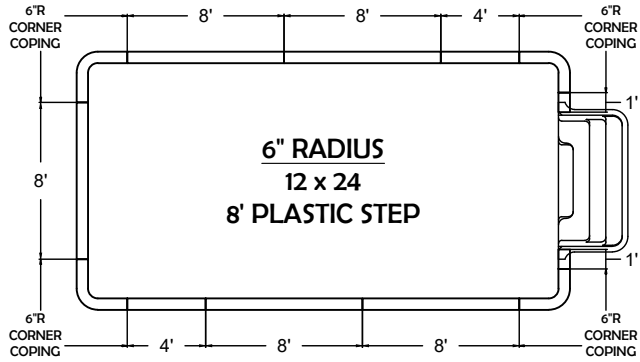
# Coping Layouts - CP2

## 6"R corners Perimeter



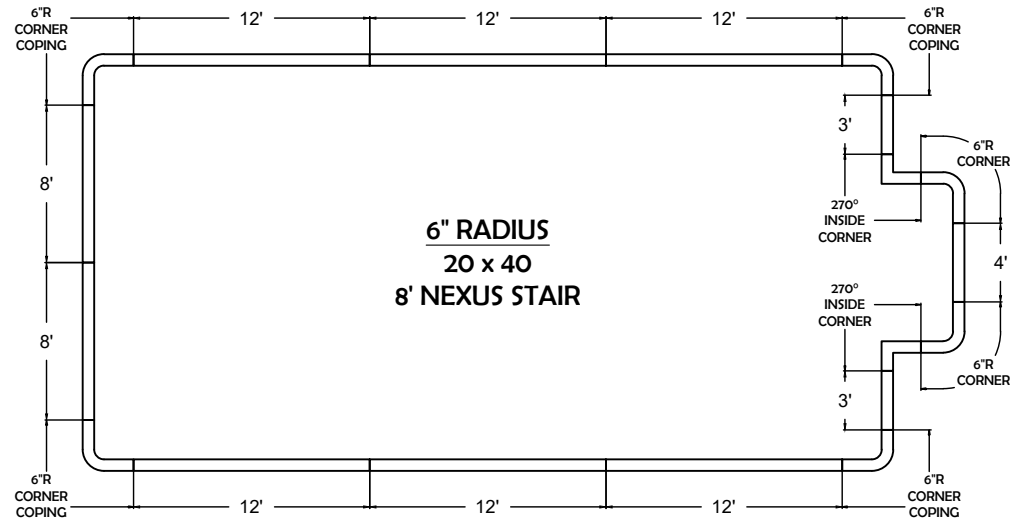
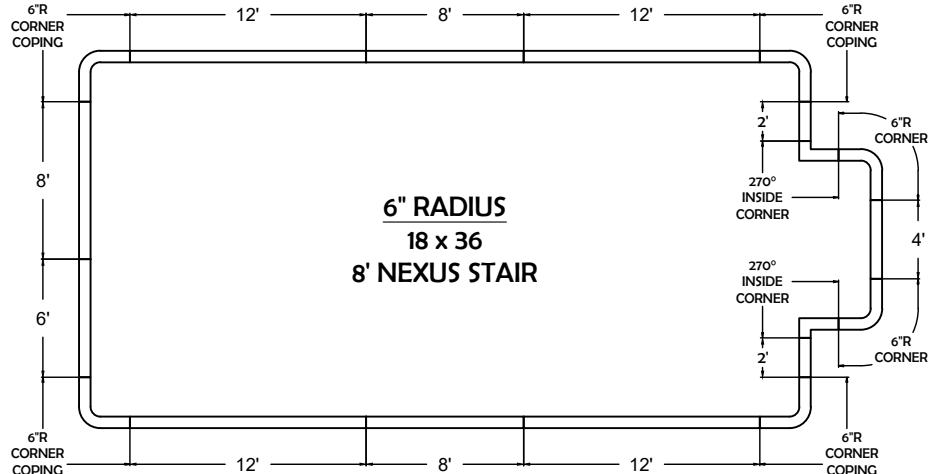
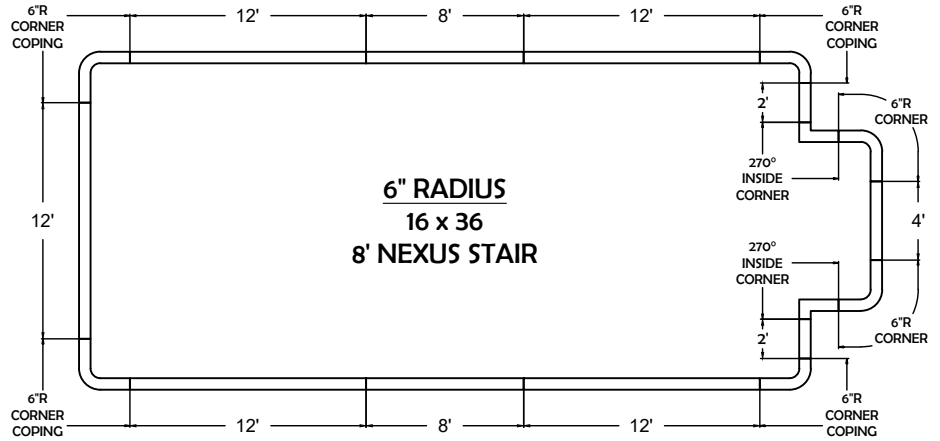
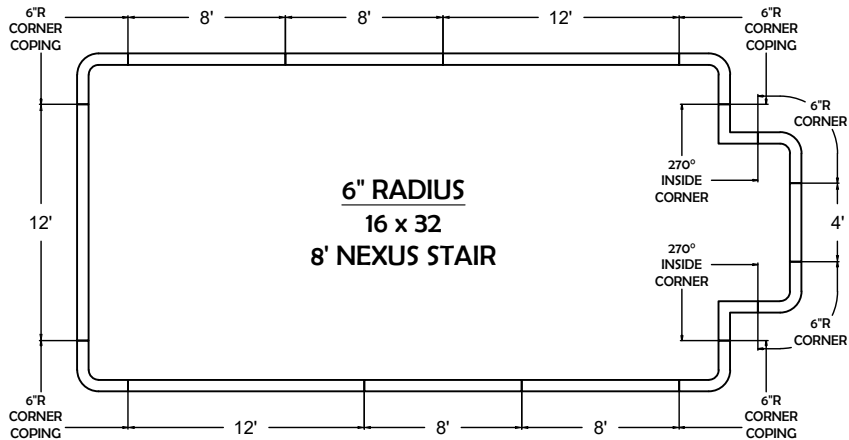
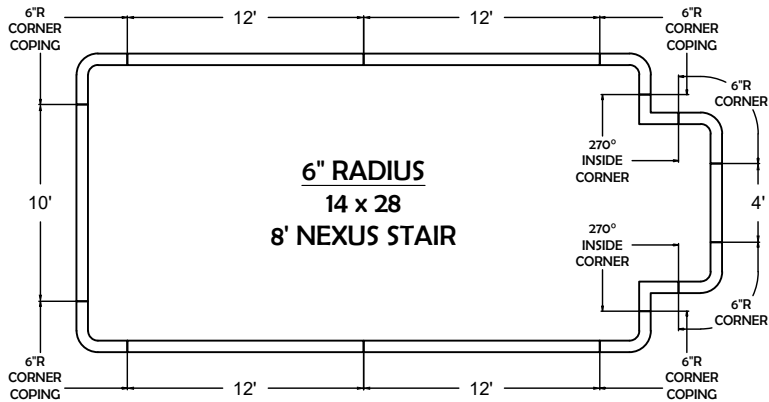
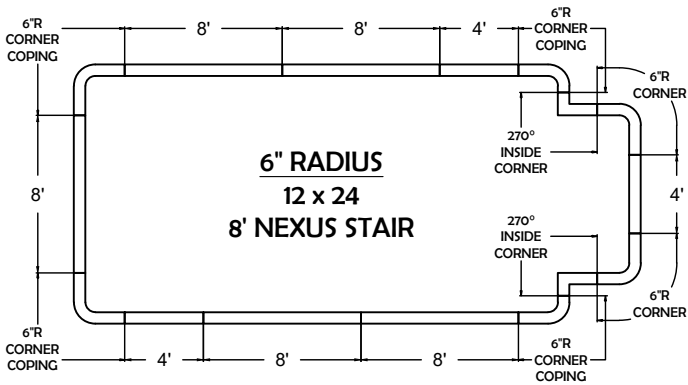
# Coping Layouts - CP2

## 6"R corners Center Plastic Stair



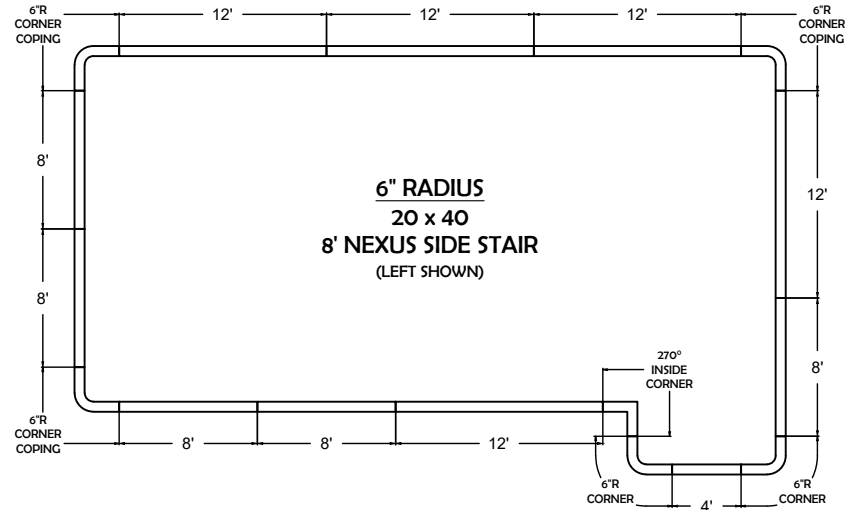
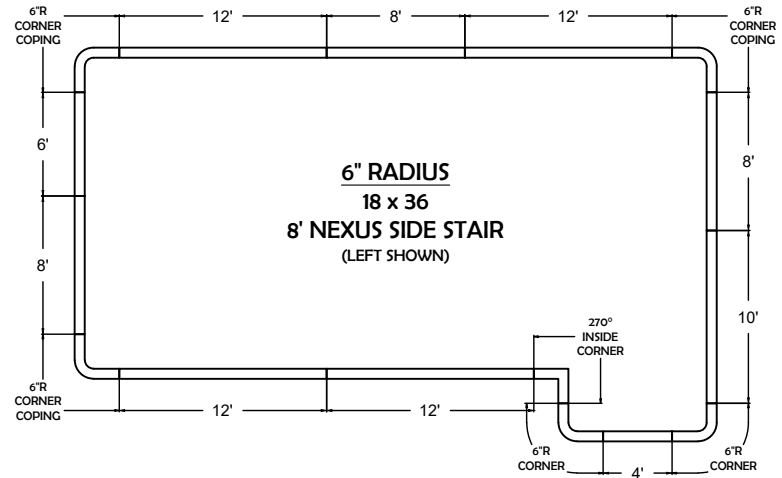
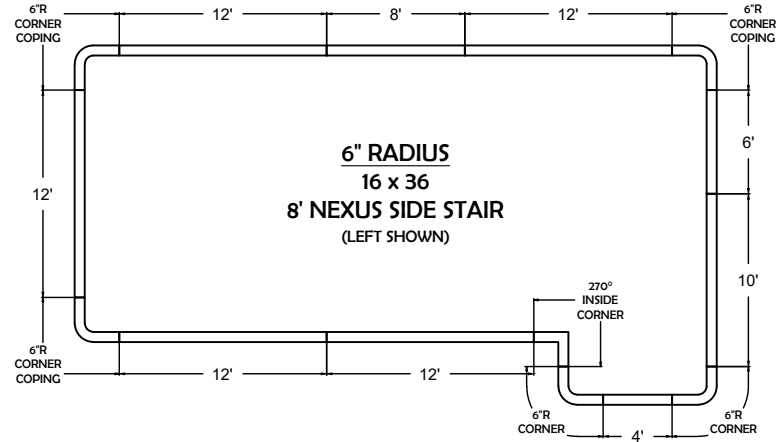
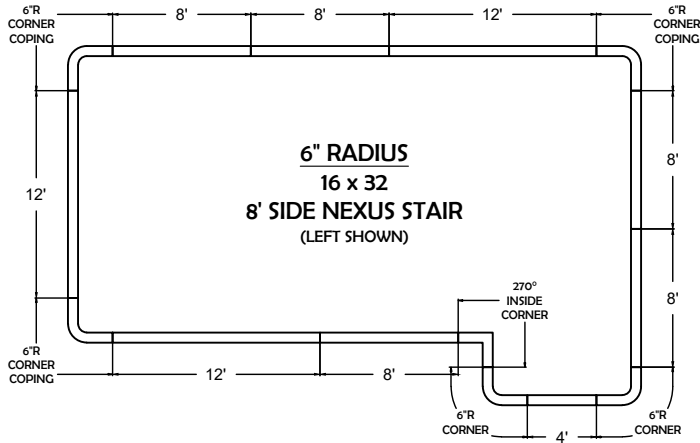
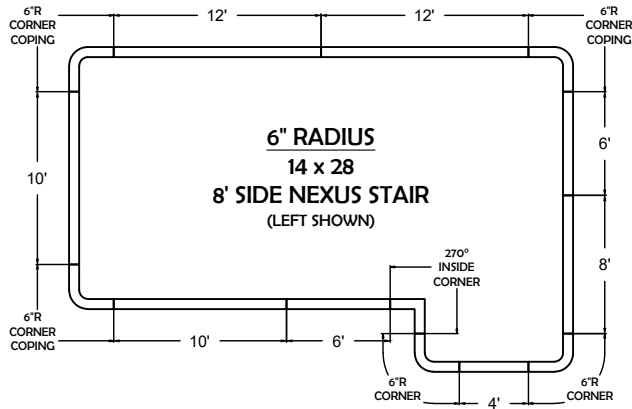
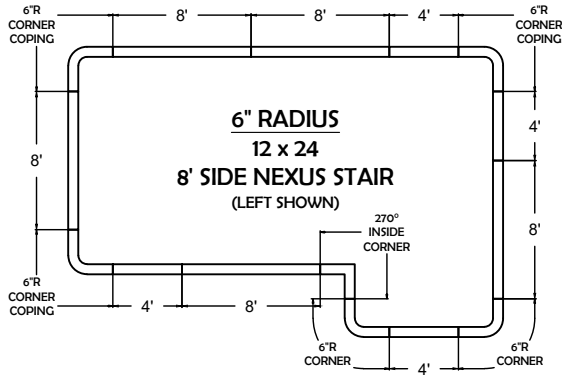
# Coping Layouts - CP2

## 6"R corners Center Steel Stair



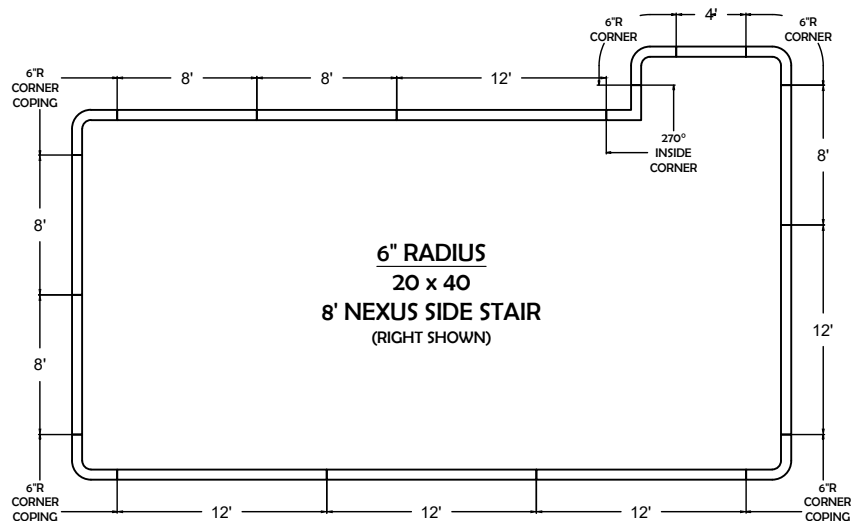
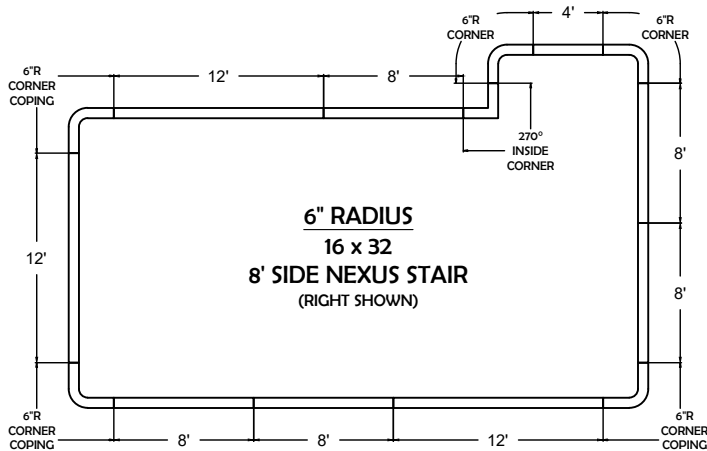
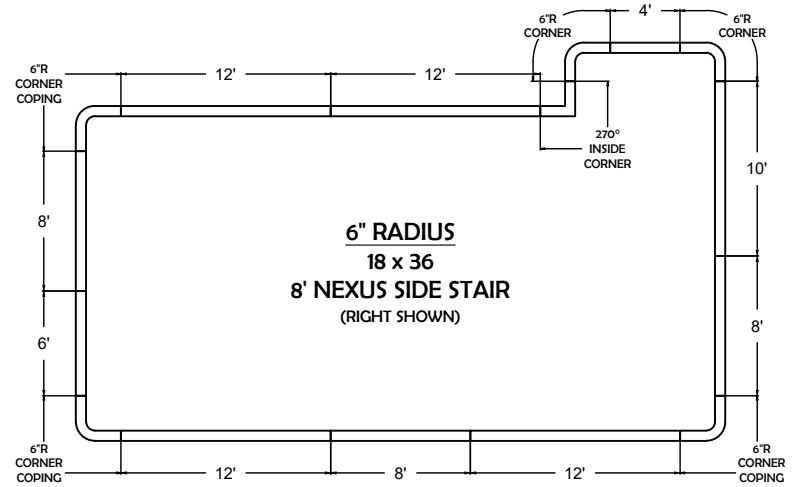
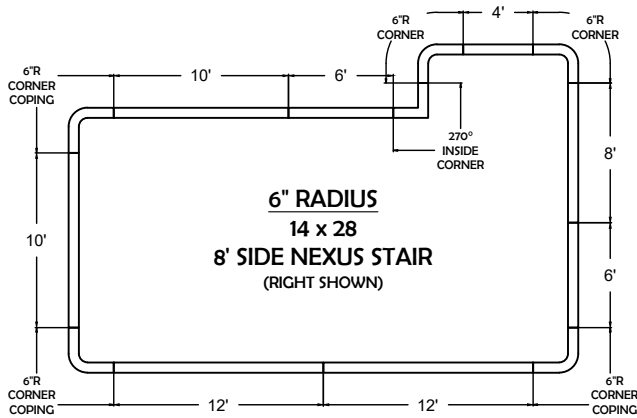
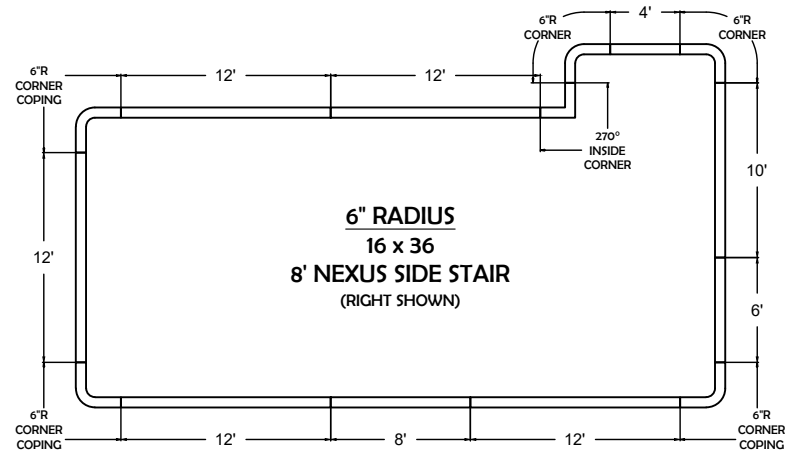
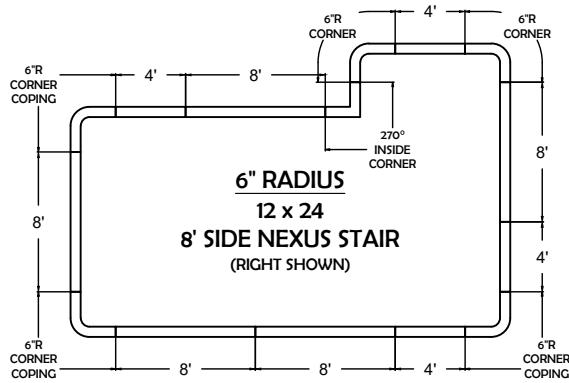
# Coping Layouts - CP2

## 6"R corners Left 3 Corner Stair



# Coping Layouts - CP2

## 6"R corners Right 3 Corner Stair







**Imperial**  
**POOLS INC.**  
REDEFINING ONE SOURCE

33 Wade Road | Latham, NY 12110