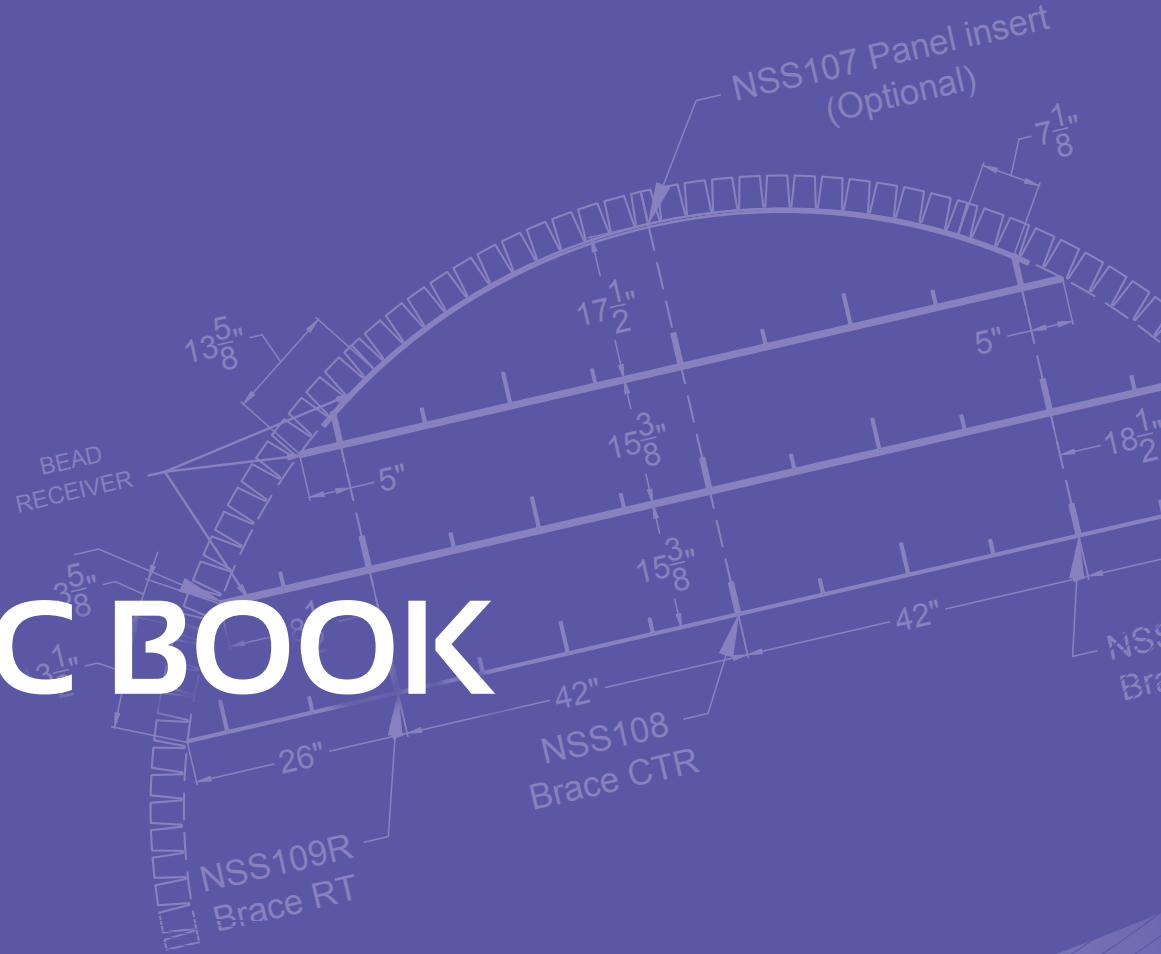




**Imperial**  
**POOLS INC.**  
REDEFINING ONE SOURCE

**nexus**  
POLYMER OPEN TOP STAIRS, BENCHES & COVES

# FEATURE SPEC BOOK



## 42" & 48" Polymer Panel

- Stairs – Corner, Radius, Roman and Straight
- Stairs with Variable Sundecks
- Side by Sides – Stair/Sundeck
- Cuddle Coves and Benches
- Assembly Drawings and Installation Guidelines
- Specifications

*Pool components manufactured by Imperial Pools, Inc.  
are intended for private residential use only.*

## WARNINGS TO INSTALLER



# CAUTION

**CARE SHOULD BE TAKEN WHEN INSTALLING  
A POOL. SERIOUS INJURY CAN OCCUR IF PROPER  
PRECAUTIONS ARE NOT TAKEN DURING INSTALLATION.**

A safety package should be provided with the pool. Its contents should be reviewed with the pool owner. The package should include a pool safety sign, "NO DIVING" decals and placement instructions, the Pool & Hot Tub Association's Minimum Standards for Residential Swimming Pools, and safety booklets such as: the Sensible Way to Enjoy Your Inground Swimming Pool, Greg Lougainis on Diving, and Children Aren't Waterproof. You may obtain a safety package by contacting:

Customer Service  
33 Wade Road  
Latham, NY 12110  
(518) 786-1200

The installer should place all warnings according to the manufacturer's instructions prior to use of this pool.

NOTICE: It is not recommended to use diving and/or sliding equipment on residential pools. Such equipment, its installation, and use is the responsibility of the pool owner.

These pools are designed for private, residential use only. If this is not a private, residential pool, you should contact your local building department and the Pool & Hot Tub Association for standards relevant to its use, since they may be quite different.

**The Pool & Hot Tub Association  
1650 King St., Ste. 602  
Alexandria, VA 22314**

For Pool Regulations and Standards refer to your Installation Manual-APSP Standards for Residential Swimming Pools.

## WARNINGS TO POOL OWNER

Before using your pool, the dealer and/or installer should provide you with a safety package which should include a pool safety sign, "NO DIVING" decals and placement instructions, the Pool & Hot Tub Association's Minimum Standards for Residential Swimming Pools, and the following pool safety booklets:

1. The Sensible Way to Enjoy Your Inground Swimming Pool.
2. Greg Lougainis on Diving - Knowing How to Dive Can Be Worth More Than Gold. It Can Be Worth Your Life.
3. Children Aren't Waterproof.

A safety package can be obtained by contacting:

Customer Service  
33 Wade Road  
Latham, NY 12110  
(518) 786-1200



# WARNING



**DIVING OR JUMPING  
INTO POOL MAY RESULT  
IN SERIOUS INJURY**

### Swimming & Diving Safety

Imperial does not recommend the use of diving and/or sliding equipment on residential pools. If you choose to dive, a thorough familiarity with the pool bottom, awareness of depths, and understanding of the principles of head-first entry into the water are critical factors in safe diving.

# Table of Contents

## 42" STAIRS

### (6"R / 90°) STRAIGHT STAIRS - 42" WALLS

6' - 90° Stair - NSS033	1
8' - 90° Stair - NSS034	1
10' - 90° Stair - NSS030	2
12' - 90° Stair - NSS027	2
14' - 90° Stair - NSS028	3
16' - 90° Stair - NSS012	3
18' - 90° Stair - NSS013	4
20' - 90° Stair - NSS014	4

### 2'R STRAIGHT STAIRS - 42" WALLS

8' - 2'R x 2'RR Stair - NSS007	5
8' x 2'R - 3 Corner Right Stair - NSS008	5
6' x 2'R - 3 Corner Right Stair - NSS009	6
8' x 2'R - 3 Corner Left Stair - NSS010	6
6' x 2'R - 3 Corner Left Stair - NSS011	7
10' x 2'R Stair - NSS031	8
12' x 2'R Stair - NSS029	8
14' x 2'R Stair - NSS032	9
16' x 2'R Stair - NSS015	9
18' x 2'R Stair - NSS016	10
20' x 2'R Stair - NSS017	10

### ROMAN END STAIRS - 42" WALLS

10'8"R to 2'R x 8' Stair - NSS006	11
20' Wide Roman End Stair - NSS021	11
18' Wide Roman End Stair - NSS020	12
16' Wide Roman End Stair - NSS019	12

### CORNER STAIRS - 42" WALLS

90° & 2'R Inside Corner Stair - NSS018	13
--	----

### RADIUS STAIRS - 42" WALLS

6'R x 12'W Stair - NSS001	14
7'R x 13'W Stair - NSS002	15
8'R x 14'W Stair - NSS003	15
9'R x 15'W Stair - NSS004	16
10'R x 16'W Stair - NSS005	16

## 42" MODULAR SYSTEM

### (6"R / 90°) Stair w/ Variable Sundeck (VS) - 42" WALLS

42VS0890 - 8' Full End w/ VS	17
42VS1090 - 10' Full End w/ VS	18
42VS1290 - 12' Full End w/ VS	19
42VS1490 - 14' Full End w/ VS	20
42VS1690 - 16' Full End w/ VS	21
42VS1890 - 18' Full End w/ VS	22
42VS2090 - 20' Full End w/ VS	23

### (6"R / 90°) 16' Side by Side Stair/Sundeck - 42" WALLS

42SS1690-0808-08RB - 16' w/ 8' Stair, 8' x 8' SD RT	24
42SS1690-0808-08LB - 16' w/ 8' Stair, 8' x 8' SD LT	25
42SS1690-0808-06RB - 16' w/ 8' Stair, 8' x 6' SD RT	26
42SS1690-0808-06LB - 16' w/ 8' Stair, 8' x 6' SD LT	27
42SS1690-0610-08RB - 16' w/ 6' Stair, 10' x 8' SD RT	28
42SS1690-0610-08LB - 16' w/ 6' Stair, 10' x 8' SD LT	29
42SS1690-0610-06RB - 16' w/ 6' Stair, 10' x 6' SD RT	30
42SS1690-0610-06LB - 16' w/ 6' Stair, 10' x 6' SD LT	31

### (6"R / 90°) 18' Side by Side Stair/Sundeck - 42" WALLS

42SS1890-0612-06LB - 18' w/ 6' Stair, 12' x 6' SD LT	32
42SS1890-0612-06RB - 18' w/ 6' Stair, 12' x 6' SD RT	33
42SS1890-0612-08LB - 18' w/ 6' Stair, 12' x 8' SD LT	34
42SS1890-0612-08RB - 18' w/ 6' Stair, 12' x 8' SD RT	35
42SS1890-0810-06LB - 18' w/ 8' Stair, 10' x 6' SD LT	36
42SS1890-0810-06RB - 18' w/ 8' Stair, 10' x 6' SD RT	37
42SS1890-0810-08LB - 18' w/ 8' Stair, 10' x 8' SD LT	38
42SS1890-0810-08RB - 18' w/ 8' Stair, 10' x 8' SD RT	39
42SS1890-1008-06LB - 18' w/ 10' Stair, 8' x 6' SD LT	40
42SS1890-1008-06RB - 18' w/ 10' Stair, 8' x 6' SD RT	41
42SS1890-1008-08LB - 18' w/ 10' Stair, 8' x 8' SD LT	42
42SS1890-1008-08RB - 18' w/ 10' Stair, 8' x 8' SD RT	43

### (6"R / 90°) 20' Side by Side Stair/Sundeck - 42" WALLS

42SS2090-0614-06LB - 20' w/ 6' Stair, 14' x 6' SD LT	44
42SS2090-0614-06RB - 20' w/ 6' Stair, 14' x 6' SD RT	45
42SS2090-0614-08LB - 20' w/ 6' Stair, 14' x 8' SD LT	46
42SS2090-0614-08RB - 20' w/ 6' Stair, 14' x 8' SD RT	47
42SS2090-0812-06LB - 20' w/ 8' Stair, 12' x 6' SD LT	48
42SS2090-0812-06RB - 20' w/ 8' Stair, 12' x 6' SD RT	49
42SS2090-0812-08LB - 20' w/ 8' Stair, 12' x 8' SD LT	50
42SS2090-0812-08RB - 20' w/ 8' Stair, 12' x 8' SD RT	51
42SS2090-1010-06LB - 20' w/ 10' Stair, 10' x 6' SD LT	52
42SS2090-1010-06RB - 20' w/ 10' Stair, 10' x 6' SD RT	53
42SS2090-1010-08LB - 20' w/ 10' Stair, 10' x 8' SD LT	54
42SS2090-1010-08RB - 20' w/ 10' Stair, 10' x 8' SD RT	55

## 42" MODULAR SYSTEM Cont.

### 2'R - Modular w/ Variable Sundecks - 42" WALLS

42VS082R - 8' w/ Variable Sundeck	56
42VS102R - 10' w/ Variable Sundeck	57
42VS122R - 12' w/ Variable Sundeck	58
42VS142R - 14' w/ Variable Sundeck	59
42VS162R - 16' w/ Variable Sundeck	60
42VS182R - 18' w/ Variable Sundeck	61
42VS202R - 20' w/ Variable Sundeck	62

### 2'R - 16' Side by Side Stair/Sundeck - 42" WALLS

42SS162R-0808-08RB - 16' w/ 8' Stair, 8' x 8' SD RT	63
42SS162R-0808-08LB - 16' w/ 8' Stair, 8' x 8' SD LT	64
42SS162R-0808-06RB - 16' w/ 8' Stair, 8' x 6' SD RT	65
42SS162R-0808-06LB - 16' w/ 8' Stair, 8' x 6' SD LT	66
42SS162R-0610-08RB - 16' w/ 6' Stair, 10' x 8' SD RT	67
42SS162R-0610-08LB - 16' w/ 6' Stair, 10' x 8' SD LT	68
42SS162R-0610-06RB - 16' w/ 6' Stair, 10' x 6' SD RT	69
42SS162R-0610-06LB - 16' w/ 6' Stair, 10' x 6' SD LT	70

*42" Modular continues on next page  
48" Stair options starts on next page*

All Features shown are for Polymer Entry System

THE STAIR / SUNDECK / BENCH CONFORMS TO CURRENT APSP/ANSI/ICC-5 2011 & ISPSC 2024 STANDARDS FOR RESIDENTIAL INGROUND SWIMMING POOLS

All Step, Sundeck, & Bench Units used in this book can be installed in multiple locations and configurations on the various pools.

The installer is responsible for communicating the final design to the liner manufacturer to insure a proper fit.

**NOTES FOR INSTALLER:**  
PERIMETER PANELS WILL REQUIRE DRILLING HOLES TO ATTACH STEP & SUNDECK RISERS



- 2025 -  
**POLYMER**  
42" & 48"  
WALLS

# Table of Contents

## 42" MODULAR SYSTEM Cont.

### 2'R - 18' Side by Side Stair/Sundeck - 42" WALLS

42SS182R-0612-06LB - 18' w/ 6' Stair, 12' x 6' SD LT	71
42SS182R-0612-06RB - 18' w/ 6' Stair, 12' x 6' SD RT	72
42SS182R-0612-08LB - 18' w/ 6' Stair, 12' x 8' SD LT	73
42SS182R-0612-08RB - 18' w/ 6' Stair, 12' x 8' SD RT	74
42SS182R-0810-06LB - 18' w/ 8' Stair, 10' x 6' SD LT	75
42SS182R-0810-06RB - 18' w/ 8' Stair, 10' x 6' SD RT	76
42SS182R-0810-08LB - 18' w/ 8' Stair, 10' x 8' SD LT	77
42SS182R-0810-08RB - 18' w/ 8' Stair, 10' x 8' SD RT	78
42SS182R-1008-06LB - 18' w/ 10' Stair, 8' x 6' SD LT	79
42SS182R-1008-06RB - 18' w/ 10' Stair, 8' x 6' SD RT	80
42SS182R-1008-08LB - 18' w/ 10' Stair, 8' x 8' SD LT	81
42SS182R-1008-08RB - 18' w/ 10' Stair, 8' x 8' SD RT	82

### 2'R - 20' Side by Side Stair/Sundeck - 42" WALLS

42SS202R-0614-06LB - 20' w/ 6' Stair, 14' x 6' SD LT	83
42SS202R-0614-06RB - 20' w/ 6' Stair, 14' x 6' SD RT	84
42SS202R-0614-08LB - 20' w/ 6' Stair, 14' x 8' SD LT	85
42SS202R-0614-08RB - 20' w/ 6' Stair, 14' x 8' SD RT	86
42SS202R-0812-06LB - 20' w/ 8' Stair, 12' x 6' SD LT	87
42SS202R-0812-06RB - 20' w/ 8' Stair, 12' x 6' SD RT	88
42SS202R-0812-08LB - 20' w/ 8' Stair, 12' x 8' SD LT	89
42SS202R-0812-08RB - 20' w/ 8' Stair, 12' x 8' SD RT	90
42SS202R-1010-06LB - 20' w/ 10' Stair, 10' x 6' SD LT	91
42SS202R-1010-06RB - 20' w/ 10' Stair, 10' x 6' SD RT	92
42SS202R-1010-08LB - 20' w/ 10' Stair, 10' x 8' SD LT	93
42SS202R-1010-08RB - 20' w/ 10' Stair, 10' x 8' SD RT	94

### 90°/6"R & 2'R - Modular Benches - 42" WALLS

42VB24FE-12B - 12' x 24" Full End Bench	95
42VB24FE-14B - 14' x 24" Full End Bench	96
42VB24FE-16B - 16' x 24" Full End Bench	97
42VB24FE-18B - 18' x 24" Full End Bench	98
42VB24FE-20B - 20' x 24" Full End Bench	99

### CUDDLE COVES - 42" WALLS

6'R Cove - NSS022	100
7'R Cove - NSS023	100
8'R Cove - NSS024	100
9'R Cove - NSS025	101
10'R Cove - NSS026	101

## 48" STAIRS

### Radius Stairs - 48" WALLS

6'R - 12'W - NSS00148	102
7'R x 13'W - NSS00248	102
8'R x 14'W - NSS00348	103
9'R x 15'W - NSS00448	103
10'R x 16'W - NSS00548	104

### 2'R Straight Stairs - 48" WALLS

8' x 2'R - STR 2'R x 2'RR - NSS00748	105
8' x 2'R x 2'RR RT - Side Stair - NSS00848	106
8' x 2'R x 2'RR LT - Side Stair - NSS01048	106
6' x 2'R x 2'RR RT - Side Stair - NSS00948	107
6' x 2'R x 2'RR LT - Side Stair - NSS01148	107

### Corner Stair - 90° & 2'R - 48" WALLS

Inside Corner Stair for 2'R/90° - NSS01848	108
--	-----

### Roman End Stairs - 48" WALLS

4'8"R x 9'8½"W - 16'W Pool - NSS01948	109
6'R x 11'8½"W - 20'W Pool - NSS02148	109
5'3¼"R x 12'W - 18'W Pool - NSS02048	110

### APPENDIX

Straight Stair Assembly & Installation	A1
Corner Stair Assembly & Installation	A2
Radius Stair Assembly & Installation	A3
Cuddle Cove Assembly & Installation	A4
Assembly Installation Instructions Guide	A5
Side by Side Bracing	A6
Variable Stair & Sundeck Bracing	A7
Liner Installation	A8

## 48" MODULAR SYSTEM

### (6"R / 90°) Modular w/ Variable Sundeck (VS) - 48" WALLS

48VS0890 - 8' Full End Stair w/ Optional Variable Sundeck	111
48VS1090 - 10' Full End Stair w/ Optional Variable Sundeck	112
48VS1290 - 12' Full End Stair w/ Optional Variable Sundeck	113
48VS1490 - 14' Full End Stair w/ Optional Variable Sundeck	114
48VS1690 - 16' Full End Stair w/ Optional Variable Sundeck	115
48VS1890 - 18' End Stair w/ Optional Variable Sundeck	116
48VS2090 - 20' Full End Stair w/ Optional Variable Sundeck	117

### 90°/6"R & 2'R - Modular Benches - 48" WALLS

48VB24FE-12B - 12' x 24" Full End Bench	118
48VB24FE-14B - 14' x 24" Full End Bench	119
48VB24FE-16B - 16' x 24" Full End Bench	120
48VB24FE-18B - 18' x 24" Full End Bench	121
48VB24FE-20B - 20' x 24" Full End Bench	122

All Features shown are for Polymer Entry System

THE STAIR / SUNDECK / BENCH CONFORMS TO CURRENT APSP/ANSI/ICC-5 2011 & ISPS 2024 STANDARDS FOR RESIDENTIAL INGROUND SWIMMING POOLS

All Step, Sundeck, & Bench Units used in this book can be installed in multiple locations and configurations on the various pools.

The installer is responsible for communicating the final design to the liner manufacturer to insure a proper fit.

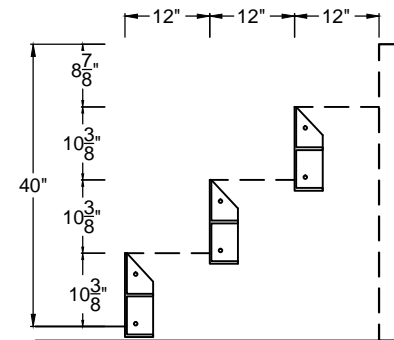
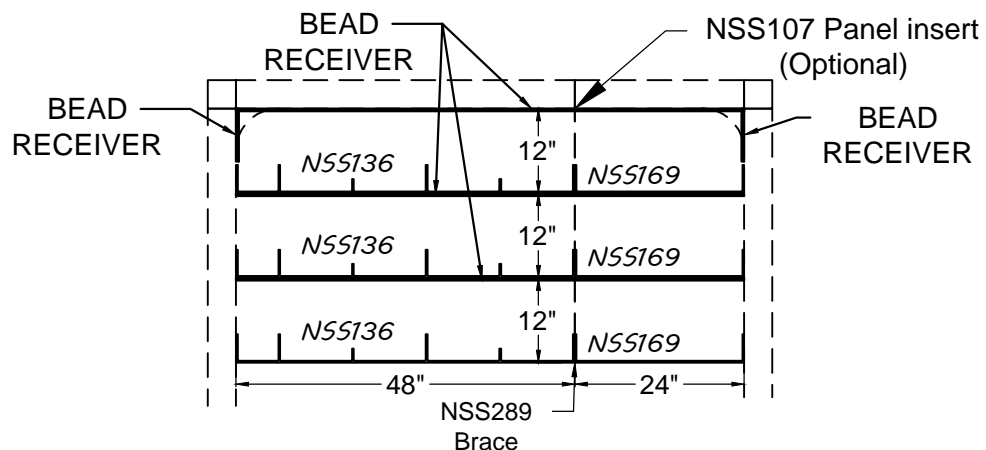
#### NOTES FOR INSTALLER:

PERIMETER PANELS WILL REQUIRE DRILLING HOLES TO ATTACH STEP & SUNDECK RISERS

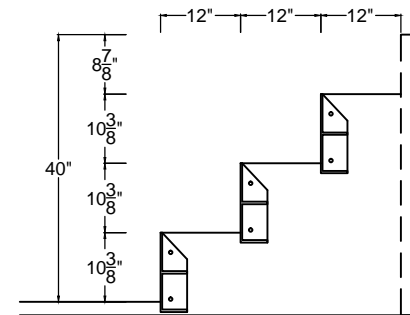
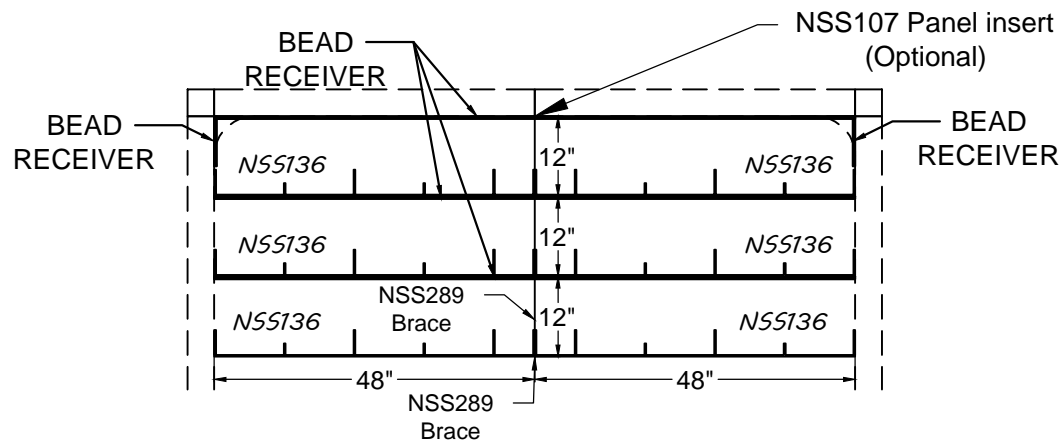


- 2025 -  
POLYMER  
42" & 48"  
WALLS

# 6' - 90° Nexus Stair - NSS033



# 8' - 90° Nexus Stair - NSS034



**NOTES FOR INSTALLER:**  
PERIMETER PANELS WILL  
REQUIRE DRILLING HOLES  
TO ATTACH STEP RISERS



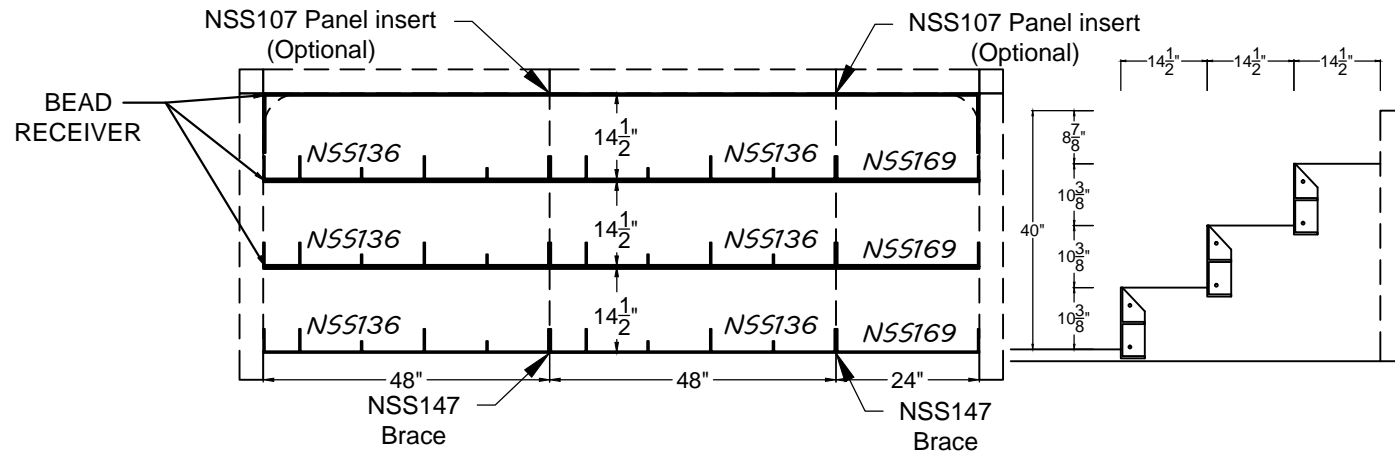
**Imperial  
POOLS**

**ALWAYS SPECIFY  
6" OR 90° CORNERS  
WHEN ORDERING THE  
POOL AND LINER.**

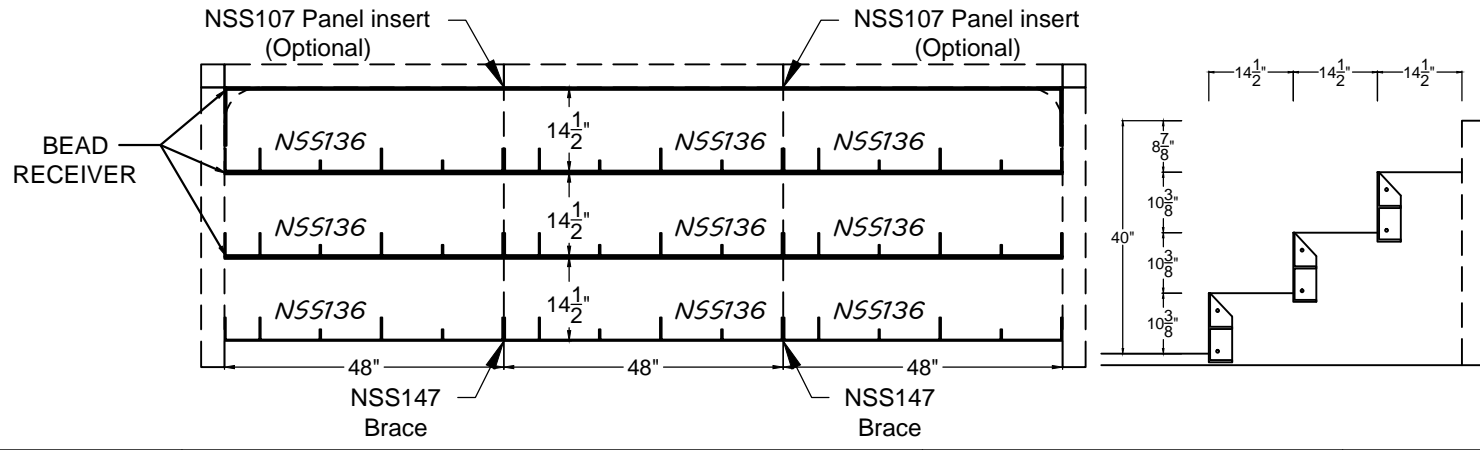
**Polymer**  
POOL SYSTEM

THIS STAIR / SUNDECK CONFORMS TO  
CURRENT *APSP/ANSI/ICC-5 2011* &  
*ISPS 2024* STANDARDS FOR  
RESIDENTIAL INGROUND SWIMMING  
POOLS

# 10' x 90 Degree Nexus Stair System - NSS030



# 12' x 90 Degree Nexus Stair System - NSS027



**NOTES FOR INSTALLER:**  
PERIMETER PANELS WILL  
REQUIRE DRILLING HOLES  
TO ATTACH STEP RISERS

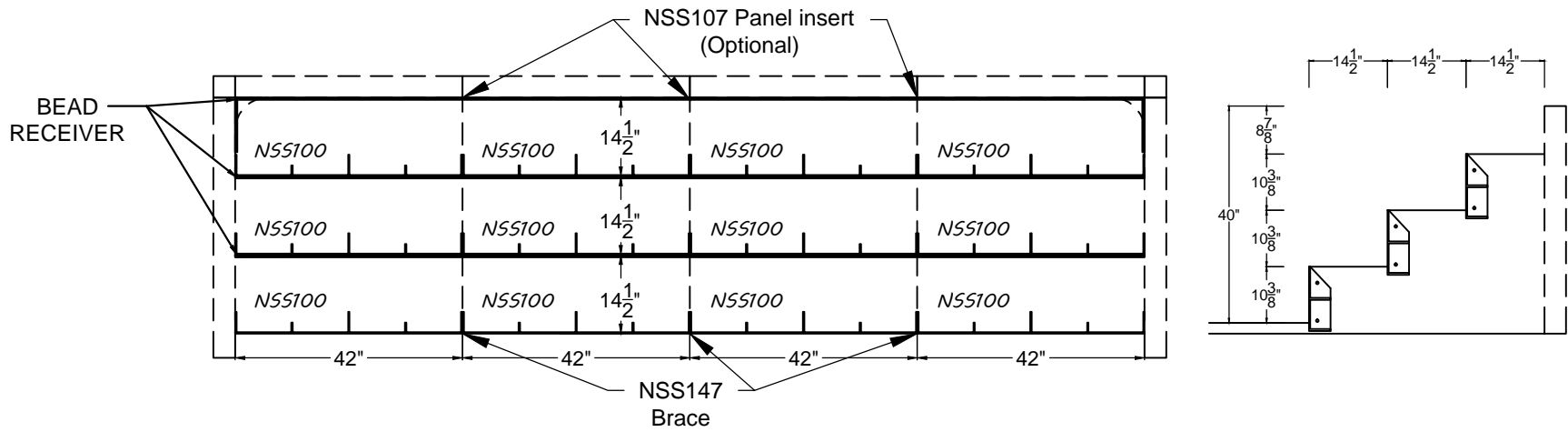


**ALWAYS SPECIFY  
6" OR 90° CORNERS  
WHEN ORDERING THE  
POOL AND LINER.**

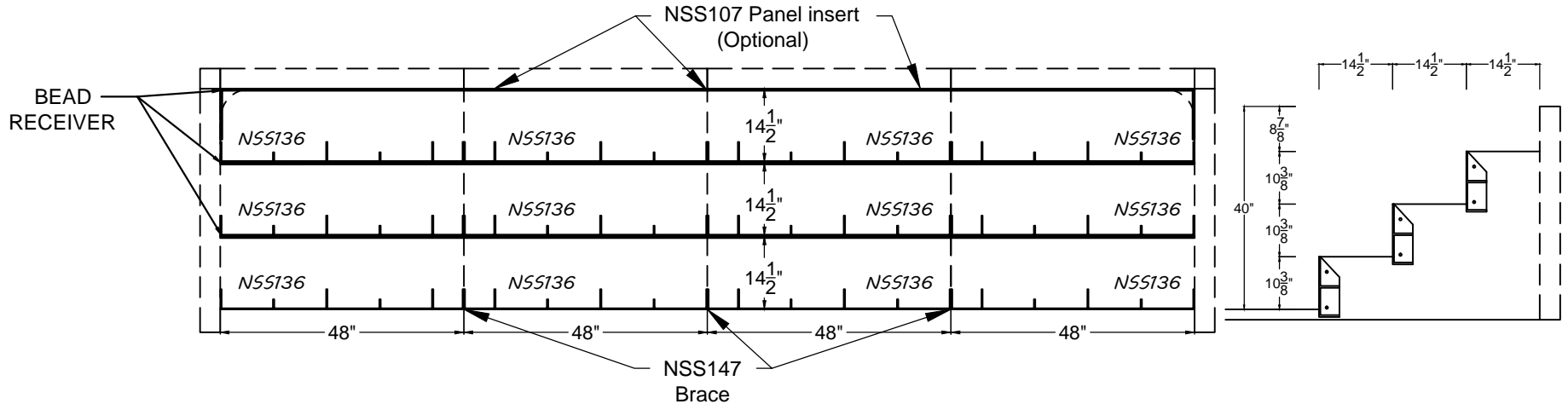
**Polymer**  
POOL SYSTEM

THIS STAIR / SUNDECK CONFORMS TO  
CURRENT *APSP/ANSI/ICC-5 2011* &  
*ISPSC 2024* STANDARDS FOR  
RESIDENTIAL INGROUND SWIMMING  
POOLS

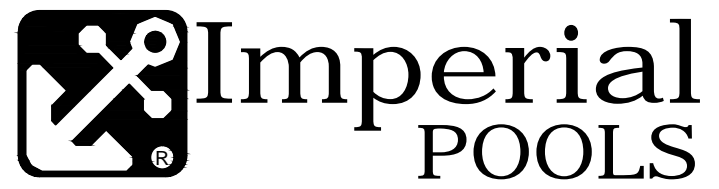
# 14' x 90 Degree Nexus Stair System - NSS028



# 16' x 90 Degree Nexus Stair System - NSS012



**NOTES FOR INSTALLER:**  
PERIMETER PANELS WILL REQUIRE DRILLING HOLES TO ATTACH STEP RISERS

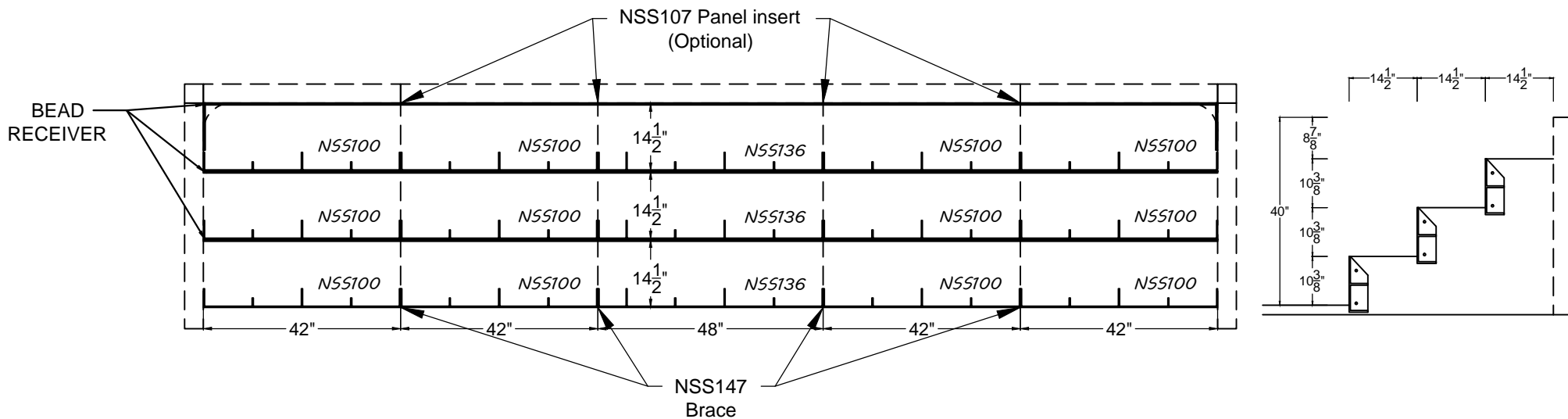


**ALWAYS SPECIFY 6" OR 90° CORNERS WHEN ORDERING THE POOL AND LINER.**

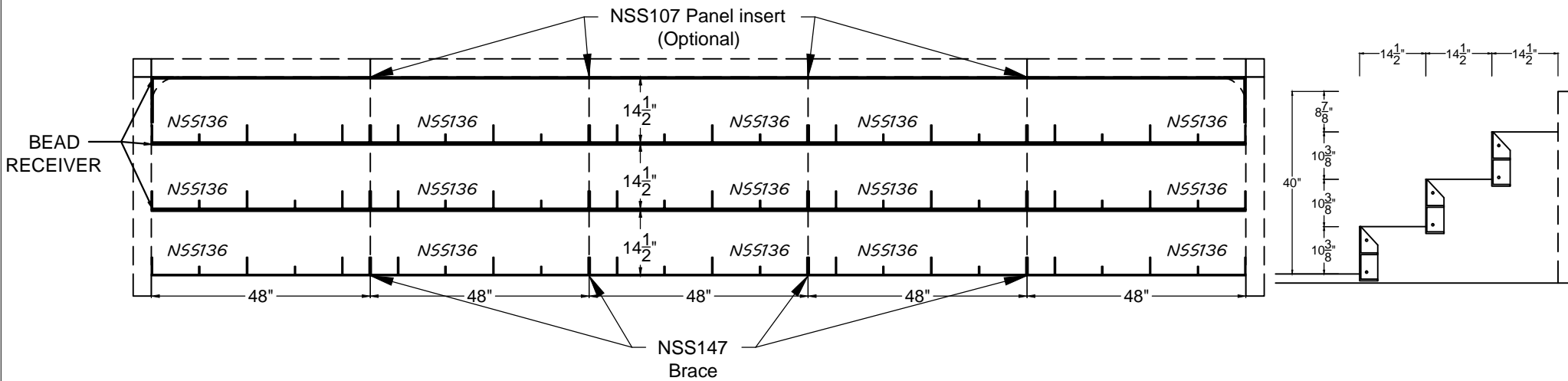
**Polymer**  
POOL SYSTEM

THIS STAIR / SUNDECK CONFORMS TO CURRENT *APSP/ANSI/ICC-5 2011* & *ISPSA 2024* STANDARDS FOR RESIDENTIAL INGROUND SWIMMING POOLS

# 18' x 90 Degree Nexus Stair System - NSS013



# 20' x 90 Degree Nexus Stair System - NSS014



**NOTES FOR INSTALLER:**  
PERIMETER PANELS WILL  
REQUIRE DRILLING HOLES  
TO ATTACH STEP RISERS



**Imperial  
POOLS**

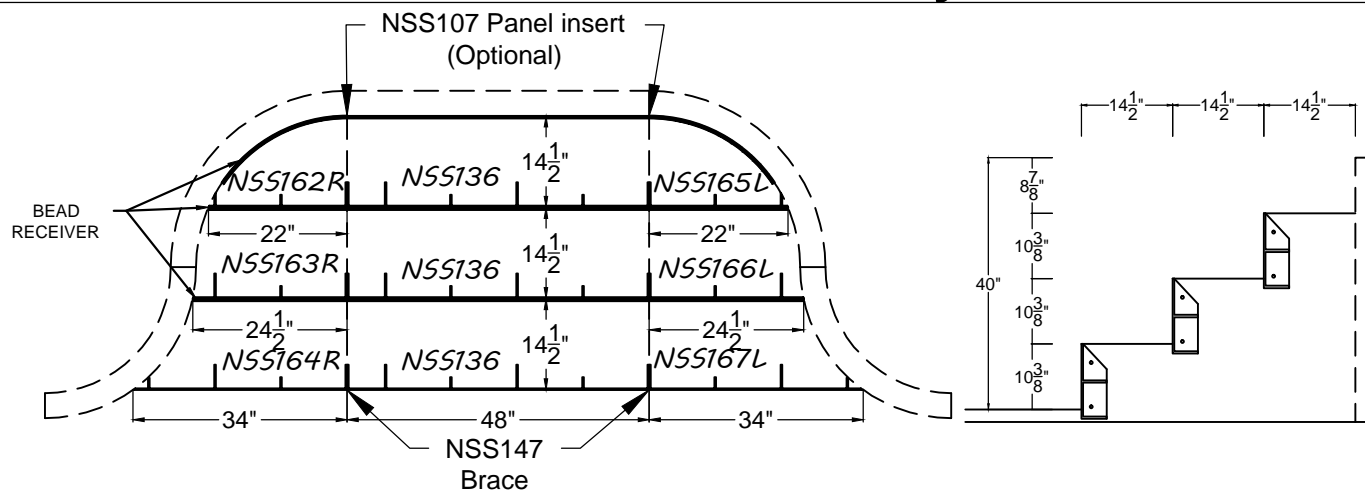
**ALWAYS SPECIFY  
6" OR 90° CORNERS  
WHEN ORDERING THE  
POOL AND LINER.**

**Polymer**  
POOL SYSTEM

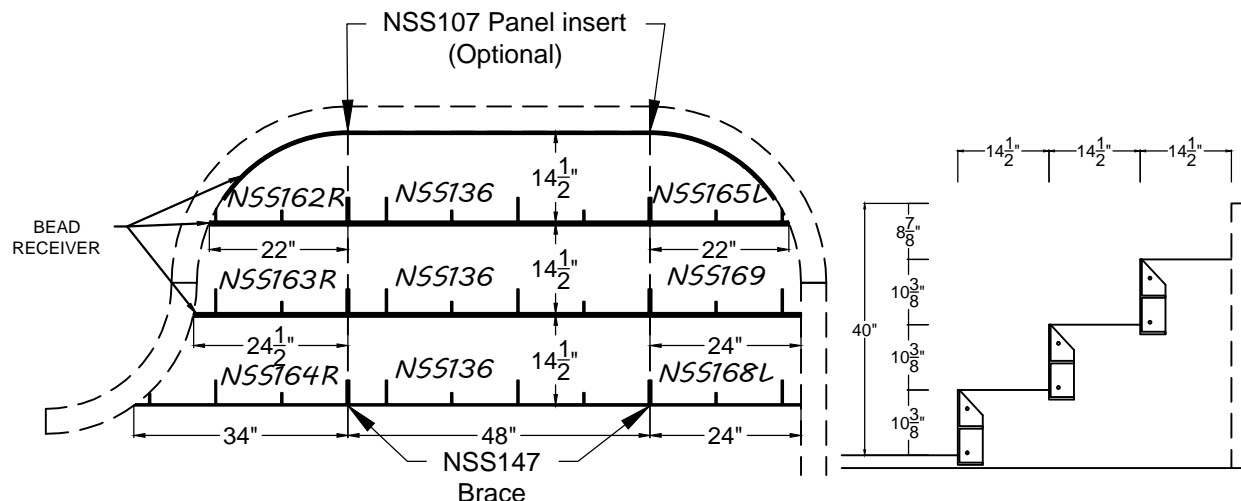
THIS STAIR / SUNDECK CONFORMS TO  
CURRENT *APSP/ANSI/ICC-5 2011* &  
*ISPS 2024* STANDARDS FOR  
RESIDENTIAL INGROUND SWIMMING  
POOLS



# 8' x 2'R x 2'RR Nexus Stair System - NSS007



# 8' x 2'R - 3 Corner Right Nexus Stair System - NSS008



**NOTES FOR INSTALLER:**  
PERIMETER PANELS WILL REQUIRE DRILLING HOLES TO ATTACH STEP RISERS

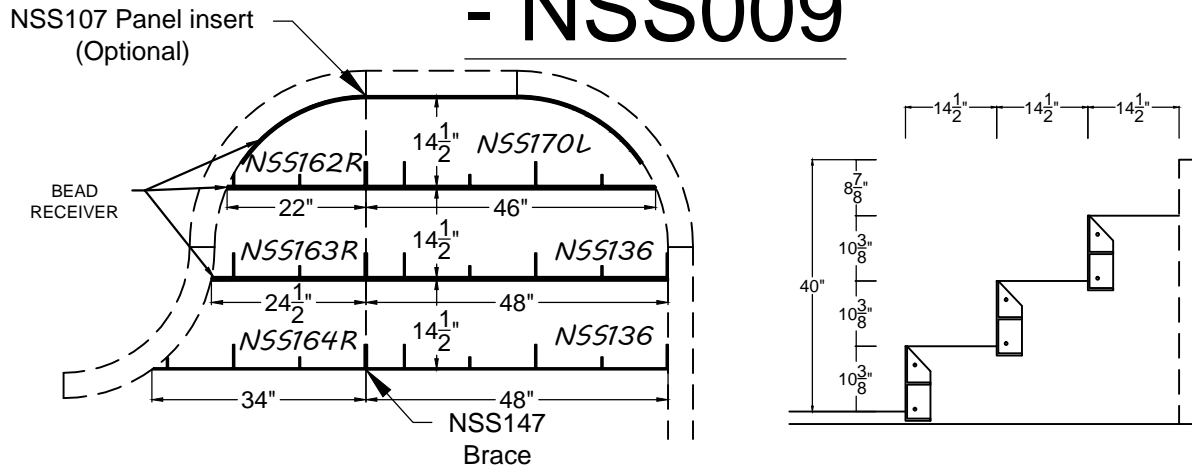


**Polymer**  
POOL SYSTEM

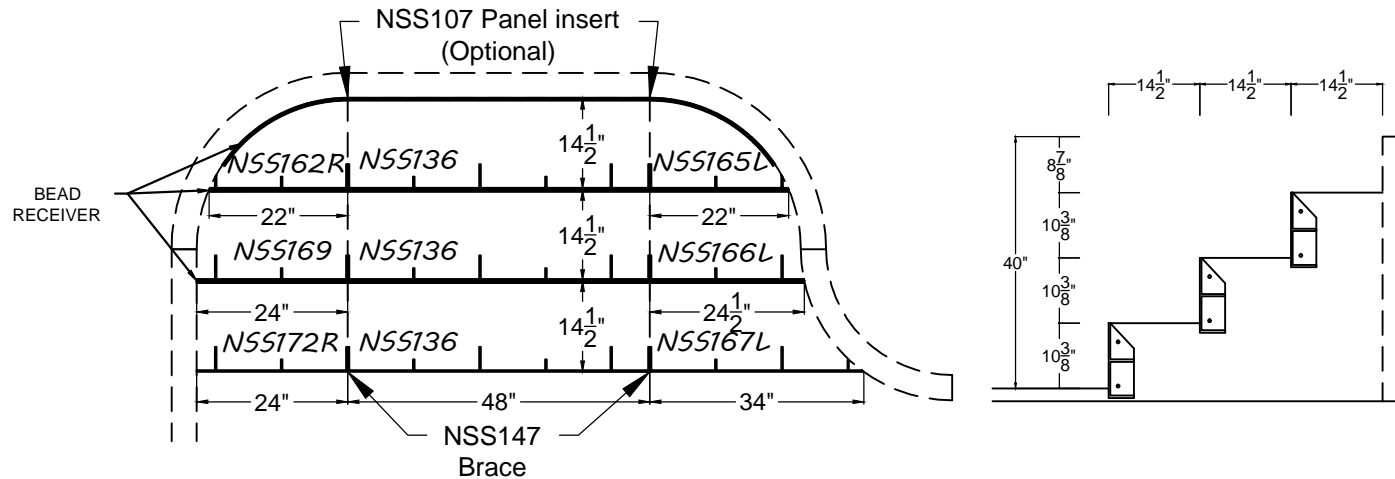
THIS STAIR / SUNDECK CONFORMS TO CURRENT *APSP/ANSI/ICC-5 2011* & *ISPS 2024* STANDARDS FOR RESIDENTIAL INGROUND SWIMMING POOLS

# 6' x 2'R - 3 Corner Right Nexus Stair System

## - NSS009



# 8' x 2'R - 3 Corner Left Nexus Stair System - NSS010



**NOTES FOR INSTALLER:**  
PERIMETER PANELS WILL REQUIRE DRILLING HOLES TO ATTACH STEP RISERS

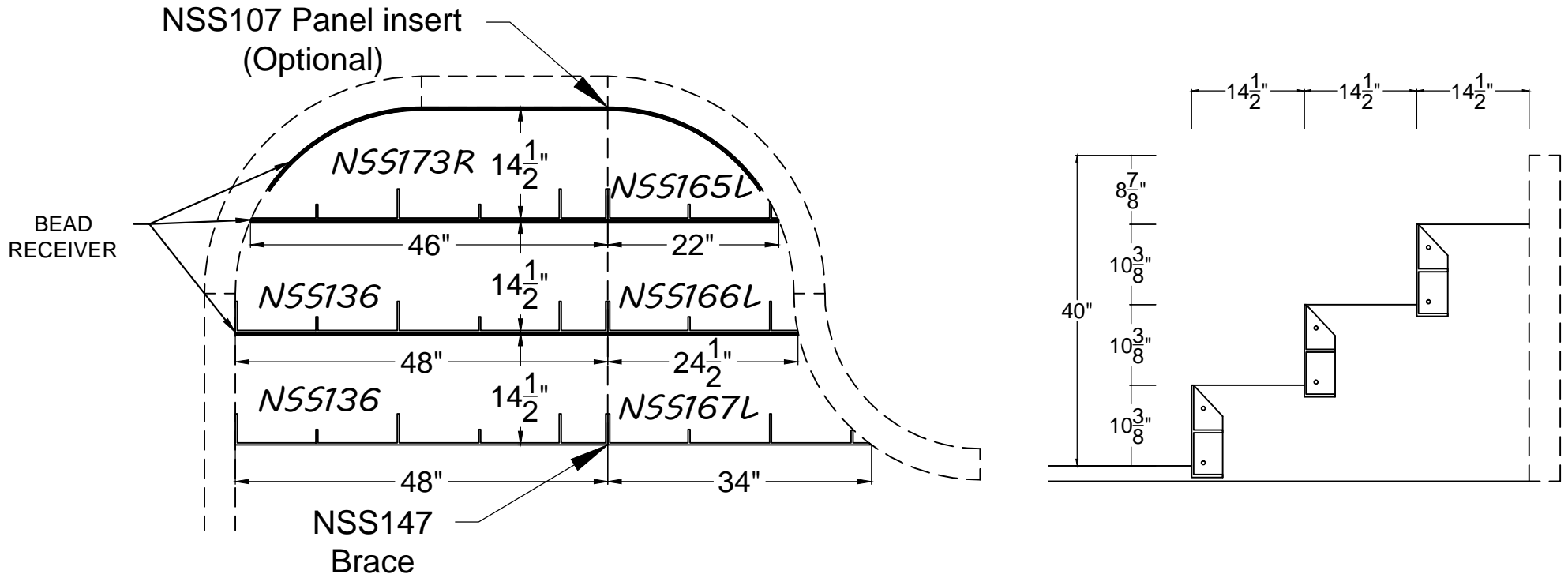


**Imperial  
POOLS**

**Polymer**  
POOL SYSTEM

THIS STAIR / SUNDECK CONFORMS TO  
CURRENT *APSP/ANSI/ICC-5 2011* &  
*ISPS 2024* STANDARDS FOR  
RESIDENTIAL INGROUND SWIMMING  
POOLS

# 6' x 2'R - 3 Corner Left Nexus Stair System - NSS011



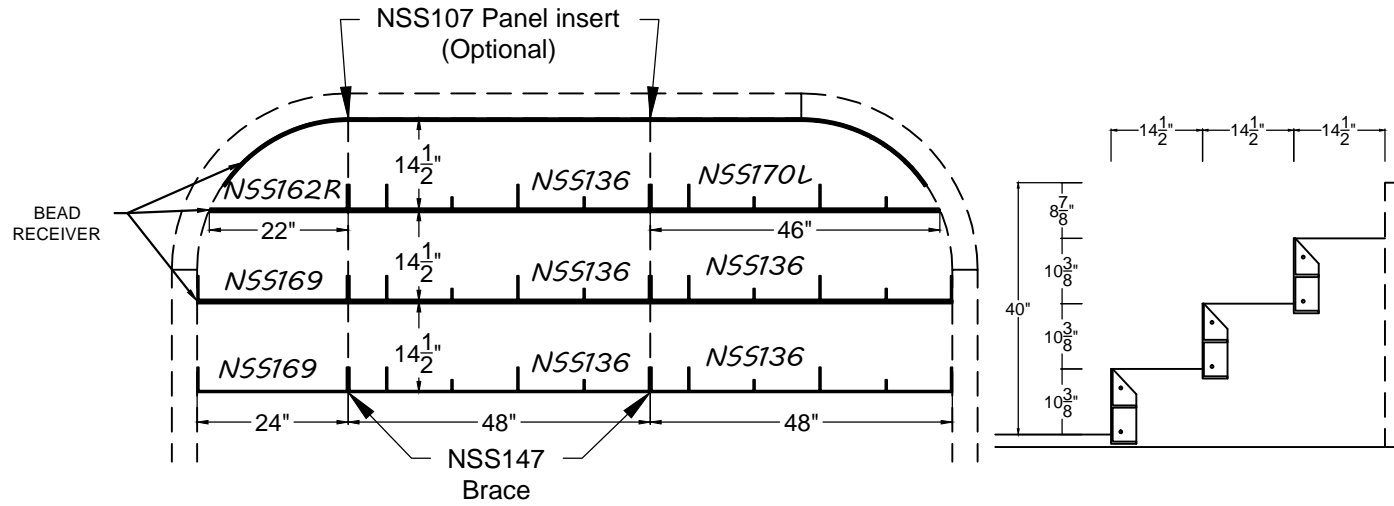
**NOTES FOR INSTALLER:**  
PERIMETER PANELS WILL  
REQUIRE DRILLING HOLES  
TO ATTACH STEP RISERS



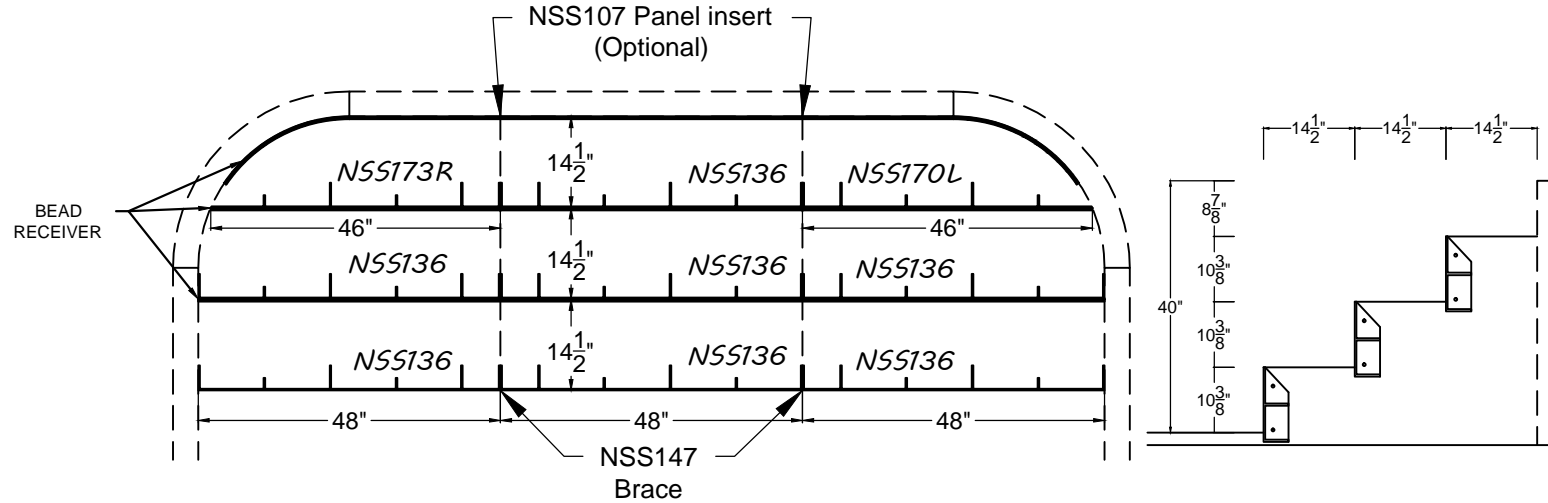
**Polymer**  
POOL SYSTEM

THIS STAIR / SUNDECK CONFORMS TO  
CURRENT *APSP/ANSI/ICC-5 2011* &  
*ISPS 2024* STANDARDS FOR  
RESIDENTIAL INGROUND SWIMMING  
POOLS

# 10' x 2'R Nexus Stair System - NSS031



# 12' x 2'R Nexus Stair System - NSS029



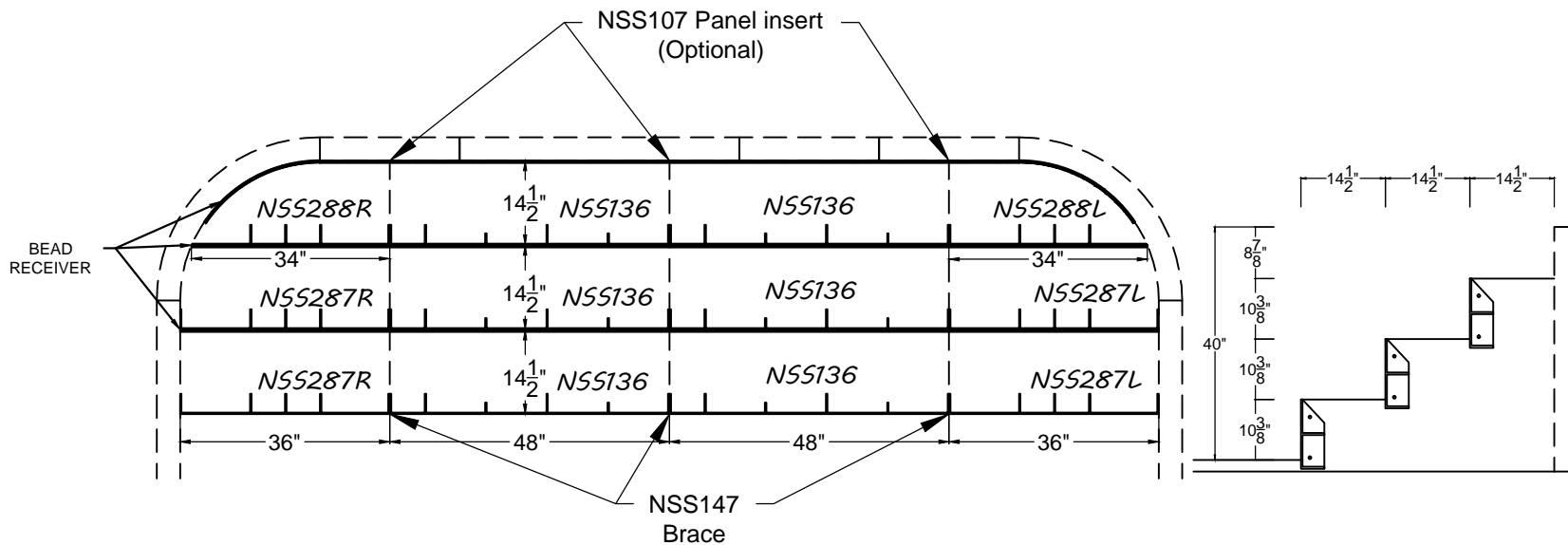
**NOTES FOR INSTALLER:**  
PERIMETER PANELS WILL  
REQUIRE DRILLING HOLES  
TO ATTACH STEP RISERS



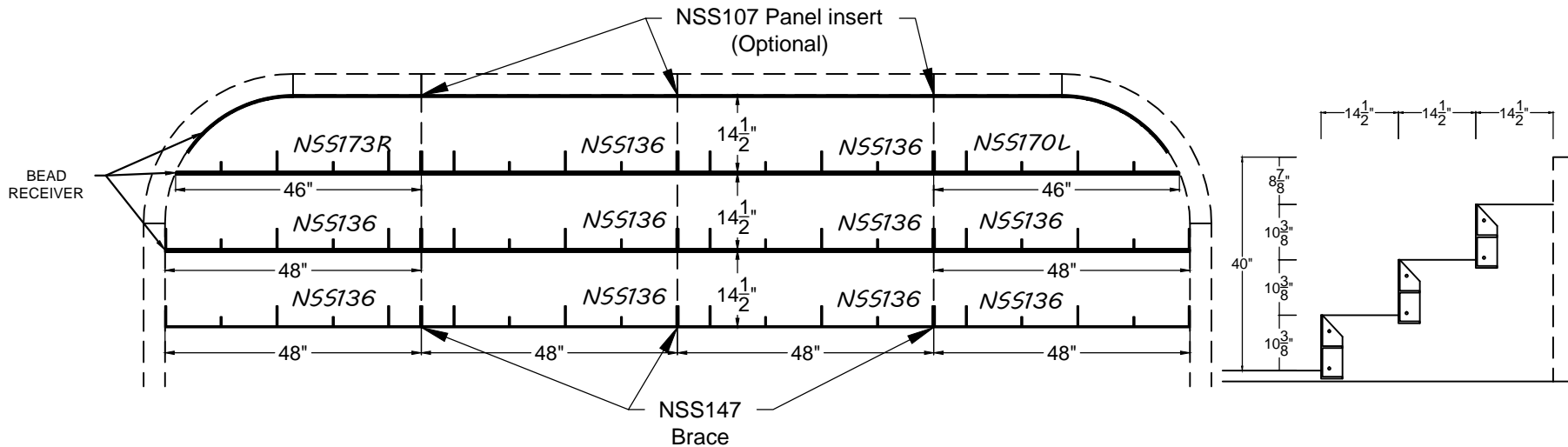
**Polymer**  
POOL SYSTEM

THIS STAIR / SUNDECK CONFORMS TO  
CURRENT *APSP/ANSI/ICC-5 2011* &  
*ISPS 2024* STANDARDS FOR  
RESIDENTIAL INGROUND SWIMMING  
POOLS

# 14' x 2'R Nexus Stair System - NSS032



# 16' x 2'R Nexus Stair System - NSS015



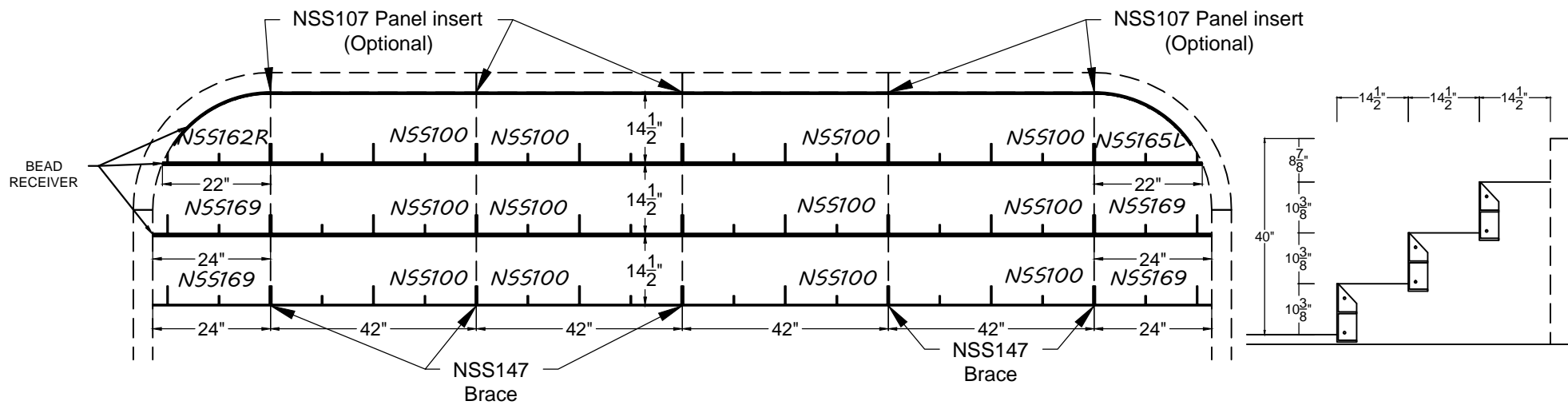
**NOTES FOR INSTALLER:**  
 PERIMETER PANELS WILL  
 REQUIRE DRILLING HOLES  
 TO ATTACH STEP RISERS



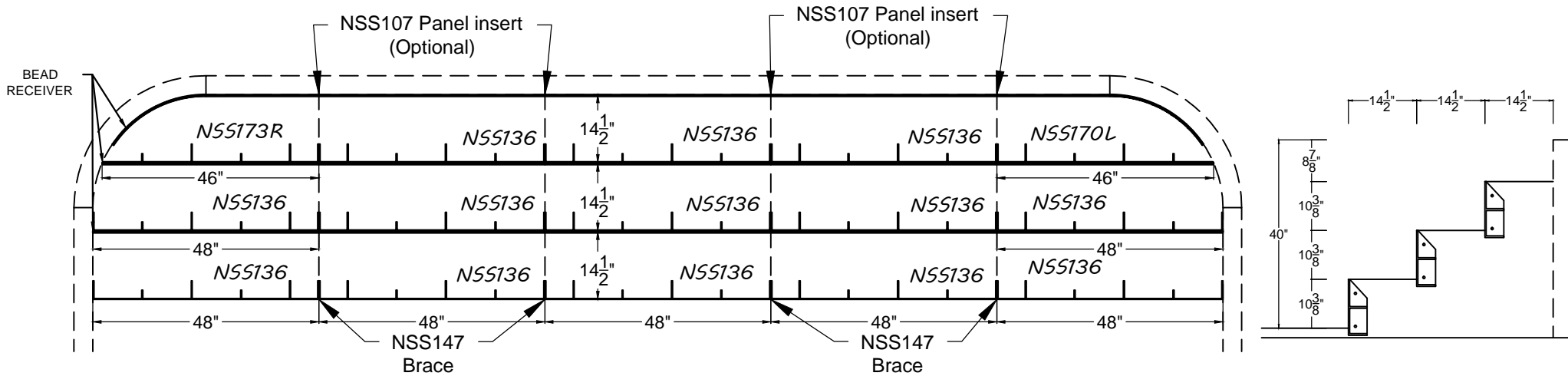
**Polymer**  
 POOL SYSTEM

THIS STAIR / SUNDECK CONFORMS TO  
 CURRENT *APSP/ANSI/ICC-5 2011* &  
*ISPSC 2024* STANDARDS FOR  
 RESIDENTIAL INGROUND SWIMMING  
 POOLS

# 18' x 2'R Nexus Stair System - NSS016



# 20' x 2'R Nexus Stair System - NSS017



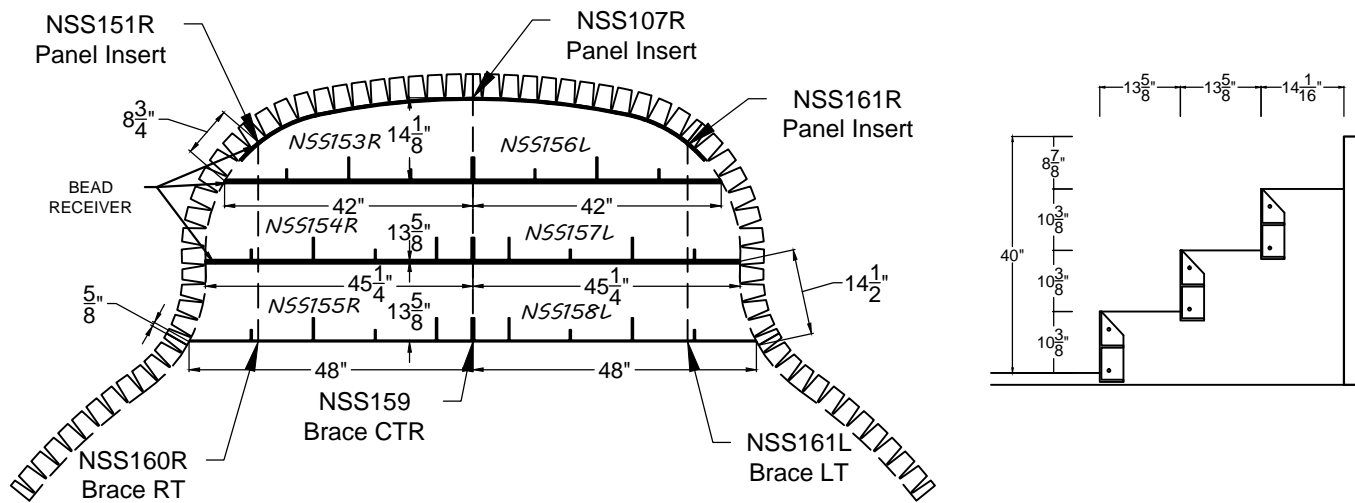
**NOTES FOR INSTALLER:**  
PERIMETER PANELS WILL REQUIRE DRILLING HOLES TO ATTACH STEP RISERS



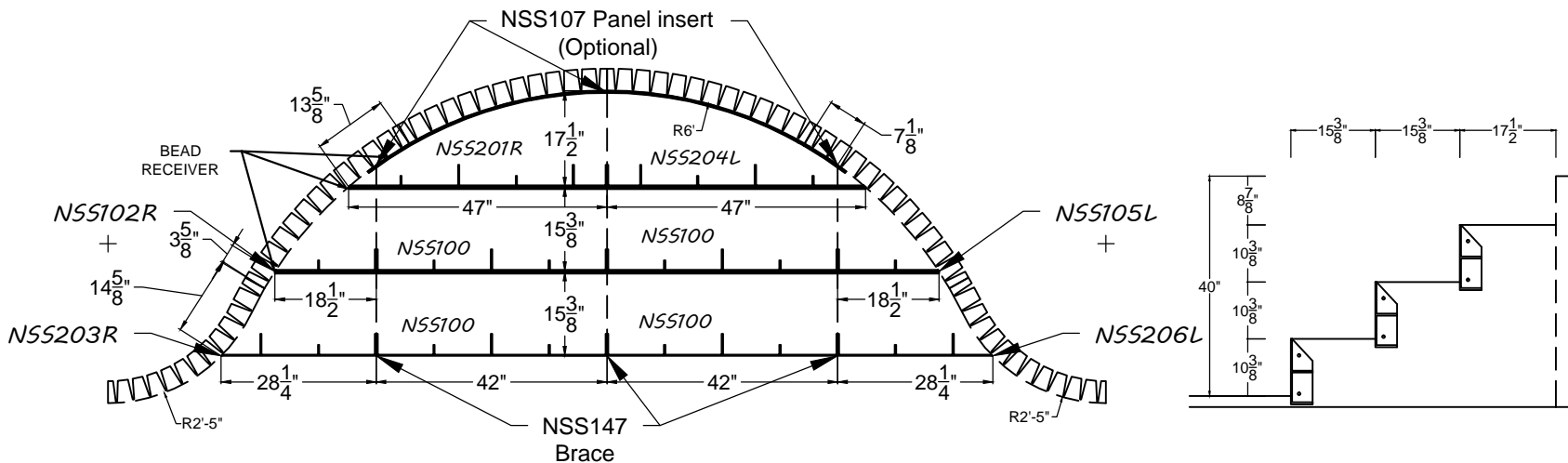
**Polymer**  
POOL SYSTEM

THIS STAIR / SUNDECK CONFORMS TO CURRENT *APSP/ANSI/ICC-5 2011* & *ISpsc 2024* STANDARDS FOR RESIDENTIAL INGROUND SWIMMING POOLS

# Nexus Stair System 10'8"R to 2'R x 8' - NSS006



# Nexus Stair System for 20' Wide Roman End - NSS021



**NOTES FOR INSTALLER:**  
PERIMETER PANELS WILL REQUIRE DRILLING HOLES TO ATTACH STEP RISERS

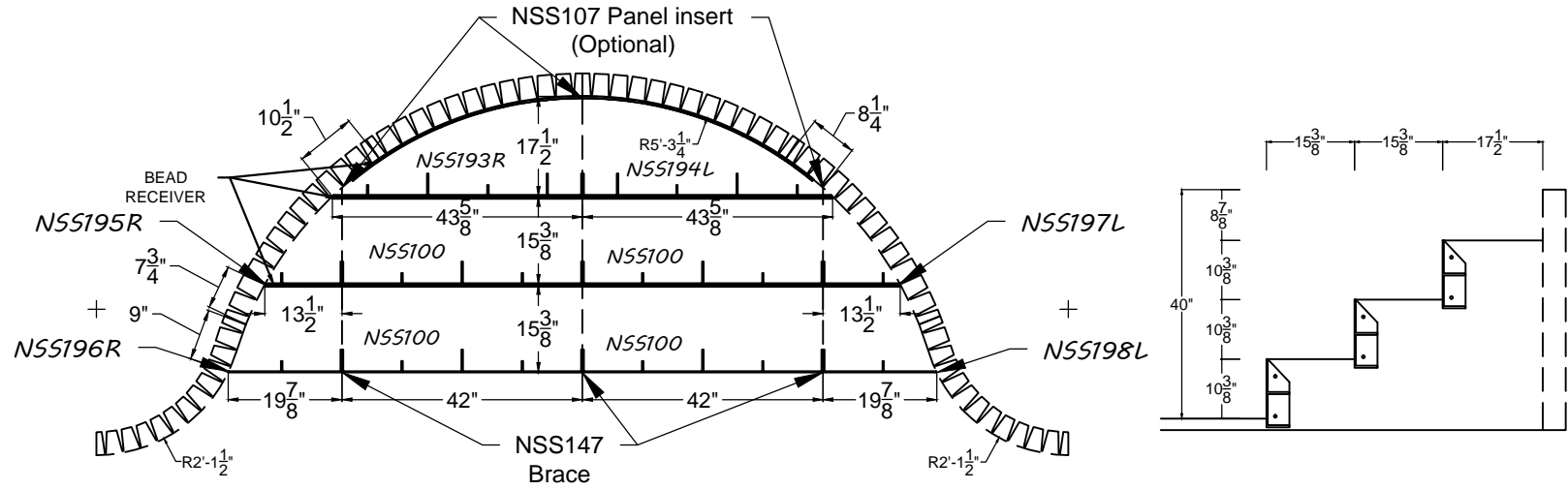


**Imperial  
POOLS**

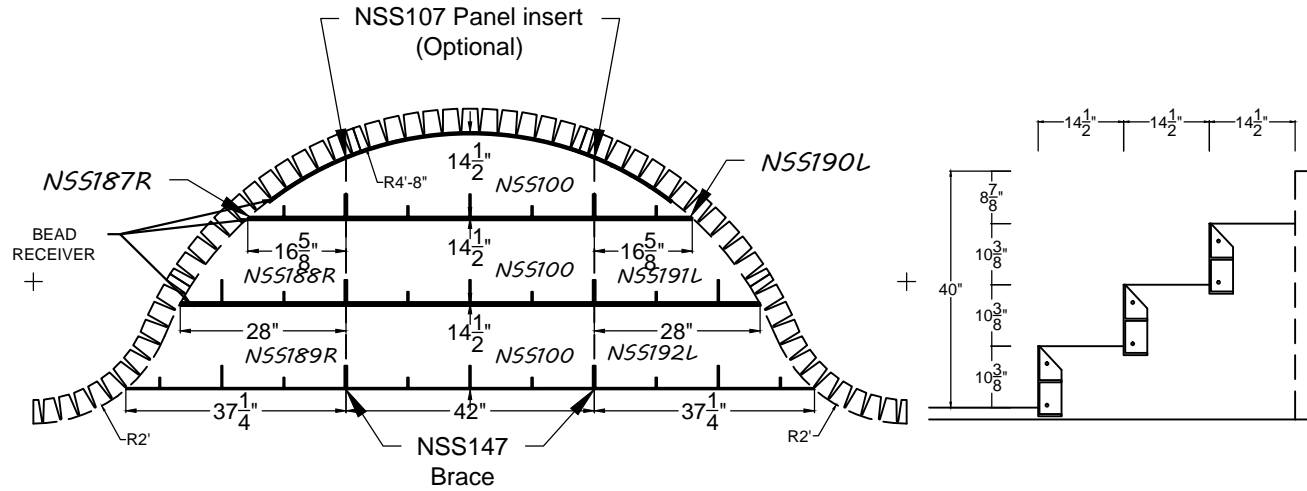
**Polymer**  
POOL SYSTEM

THIS STAIR / SUNDECK CONFORMS TO  
CURRENT *APSP/ANSI/ICC-5 2011* &  
*ISPS 2024* STANDARDS FOR  
RESIDENTIAL INGROUND SWIMMING  
POOLS

# Nexus Stair System for 18' Wide Roman End - NSS020



# Nexus Stair System for 16' Wide Roman End - NSS019



**NOTES FOR INSTALLER:**  
PERIMETER PANELS WILL REQUIRE DRILLING HOLES TO ATTACH STEP RISERS



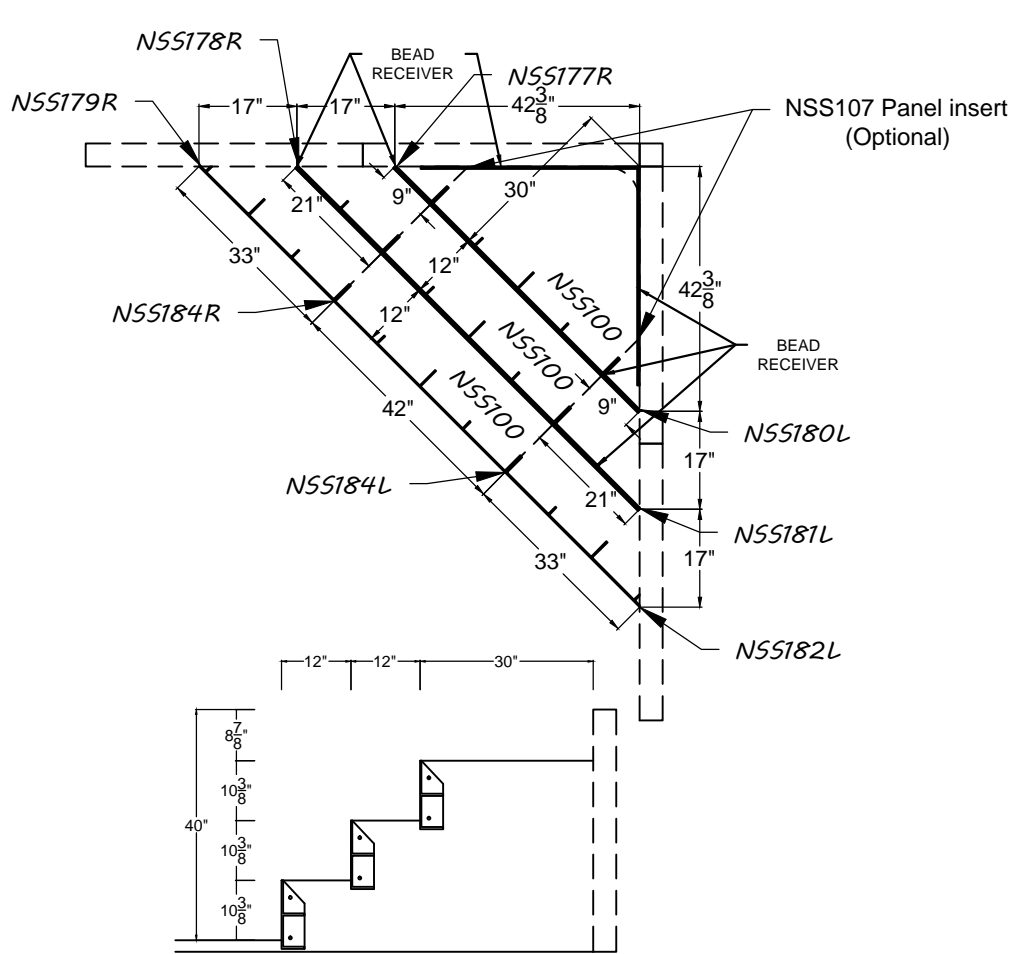
**Polymer**  
POOL SYSTEM

THIS STAIR / SUNDECK CONFORMS TO CURRENT *APSP/ANSI/ICC-5 2011* & *ISPSC 2024* STANDARDS FOR RESIDENTIAL INGROUND SWIMMING POOLS

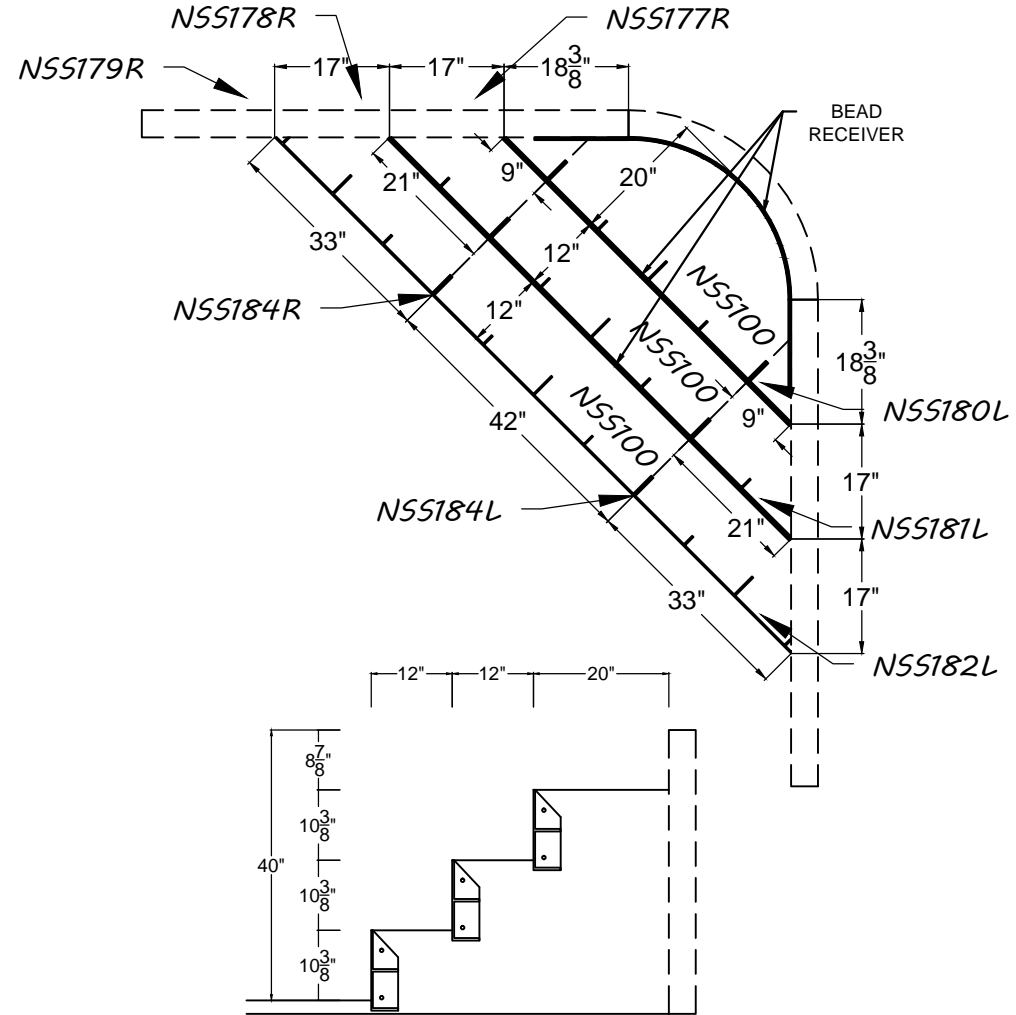
12



# 90 Degree Inside Corner Stair - NSS018



# 2'R Inside Corner Stair - NSS018



**NOTES FOR INSTALLER:**  
PERIMETER PANELS WILL  
REQUIRE DRILLING HOLES  
TO ATTACH STEP RISERS



# Imperial POOLS

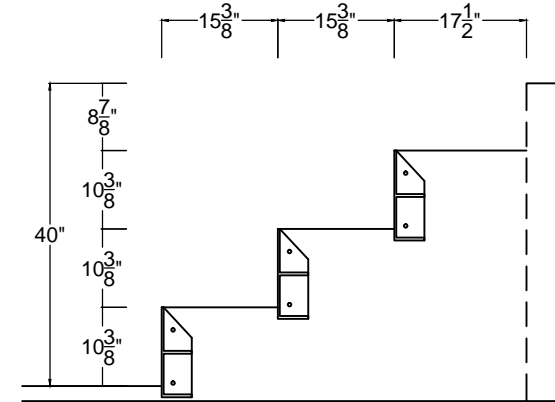
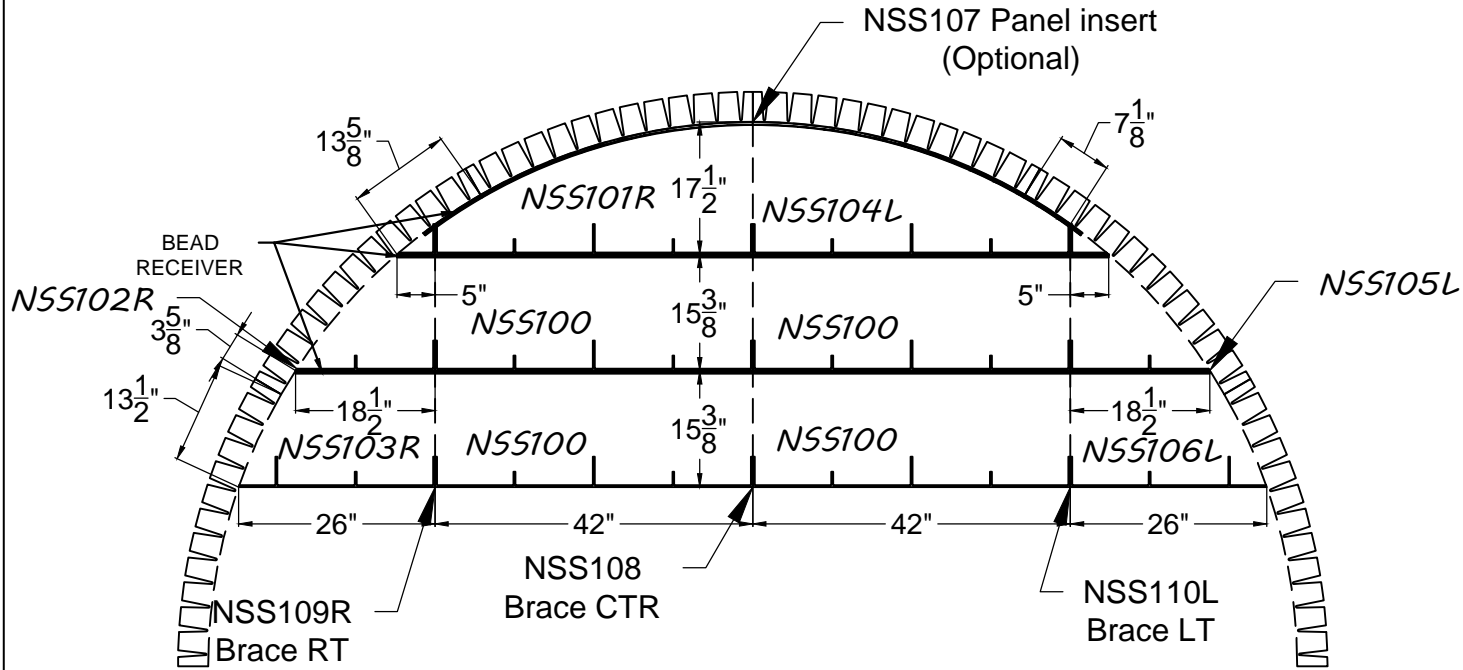
**ALWAYS SPECIFY  
6", 90°, OR 2'R CORNERS  
WHEN ORDERING THE  
POOL AND LINER.**

# Polymer

**POOL SYSTEM**

THIS STAIR / SUNDECK CONFORMS TO  
CURRENT *APSP/ANSI/ICC-5 2011* &  
*ISPS 2024* STANDARDS FOR  
RESIDENTIAL INGROUND SWIMMING  
POOLS

# 6'R x 12'W Nexus Stair System - NSS001



**NOTES FOR INSTALLER:**  
PERIMETER PANELS WILL REQUIRE DRILLING HOLES TO ATTACH STEP RISERS

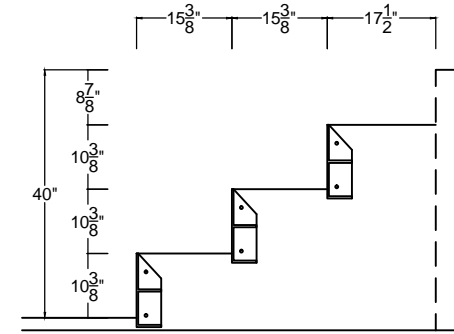
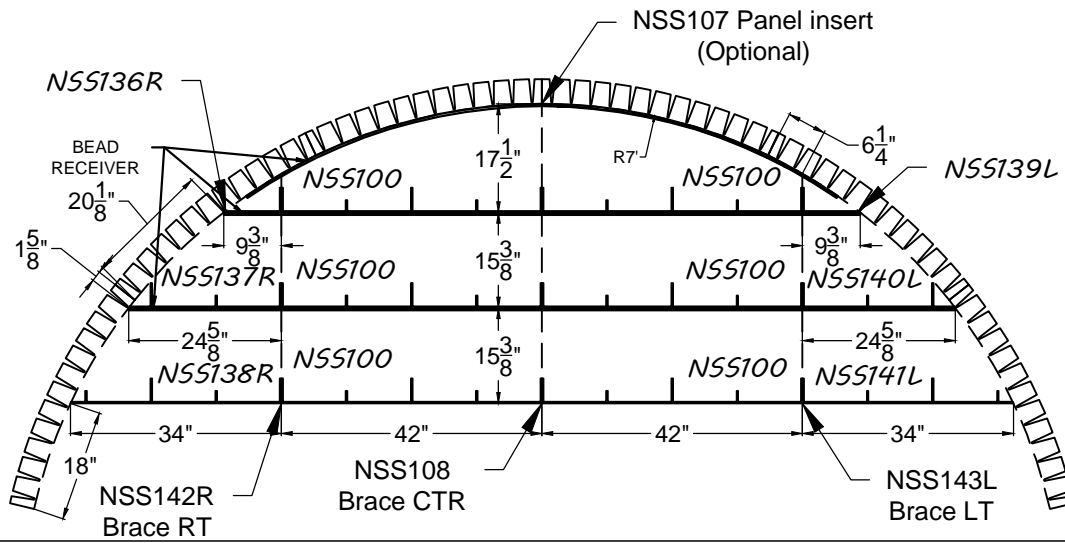


**Imperial  
POOLS**

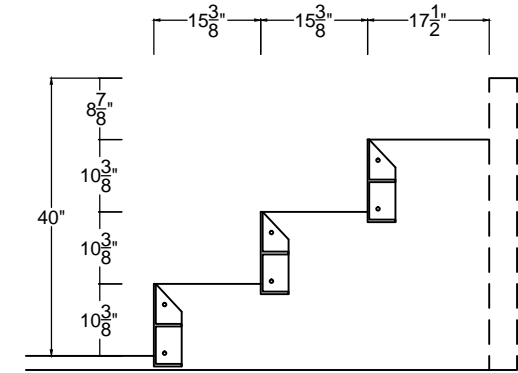
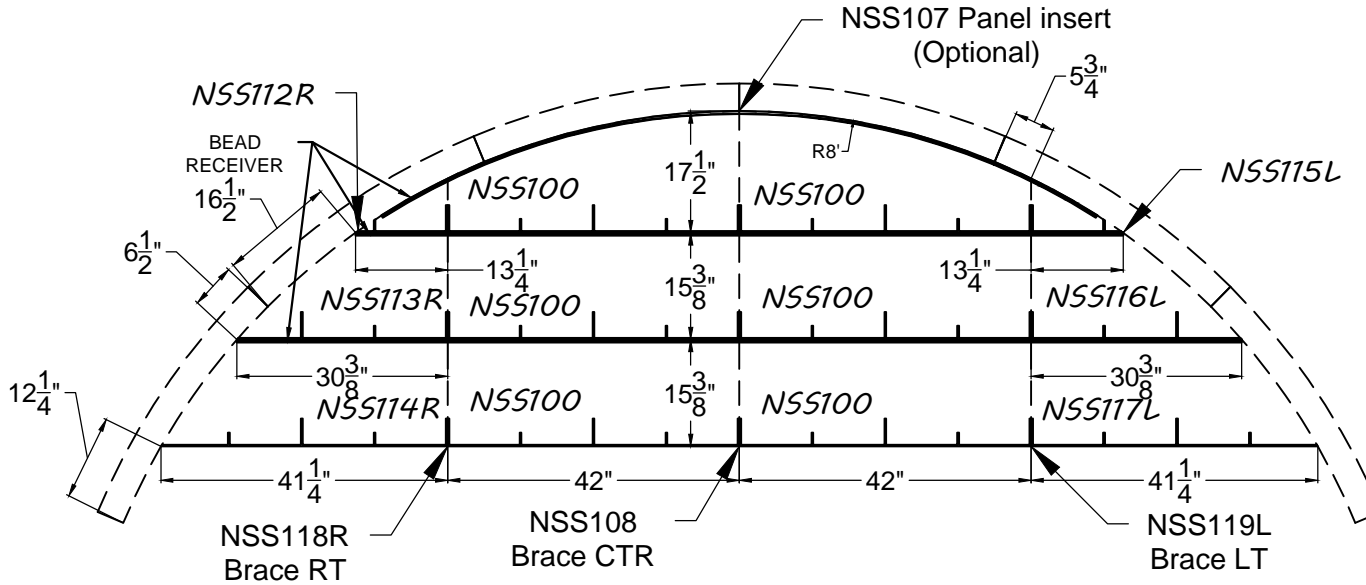
**Polymer**  
POOL SYSTEM

THIS STAIR / SUNDECK CONFORMS TO CURRENT *APSP/ANSI/ICC-5 2011* & *ISPSC 2024* STANDARDS FOR RESIDENTIAL INGROUND SWIMMING POOLS

# 7'R x 13'W Nexus Stair System - NSS002



# 8'R x 14'W Nexus Stair System - NSS003



**NOTES FOR INSTALLER:**  
PERIMETER PANELS WILL  
REQUIRE DRILLING HOLES  
TO ATTACH STEP RISERS

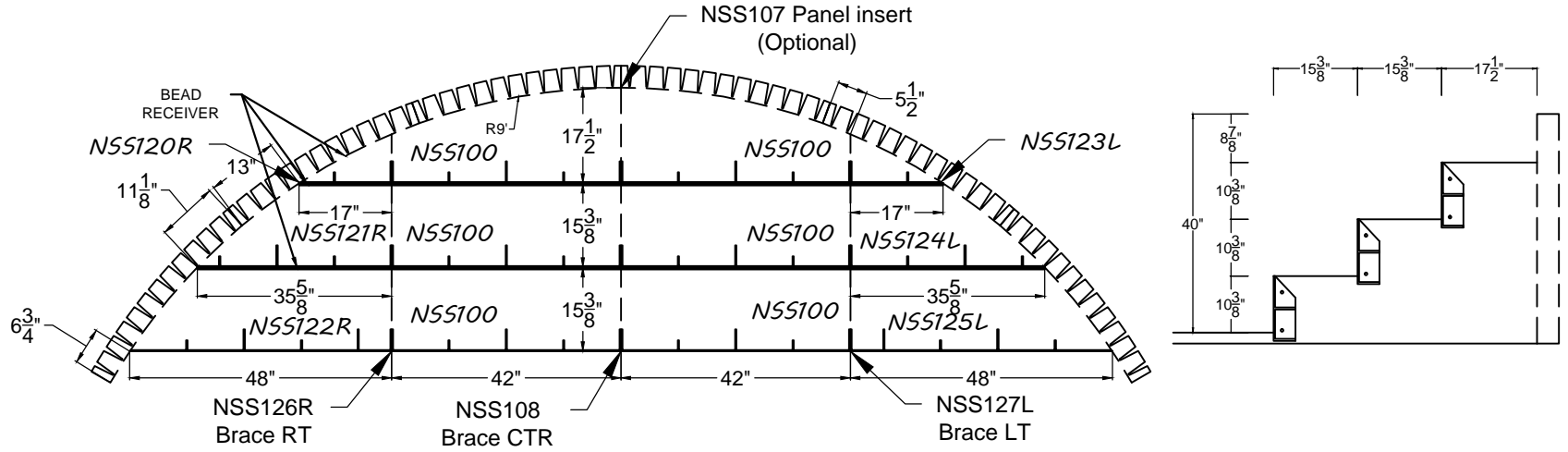


**Polymer**  
POOL SYSTEM

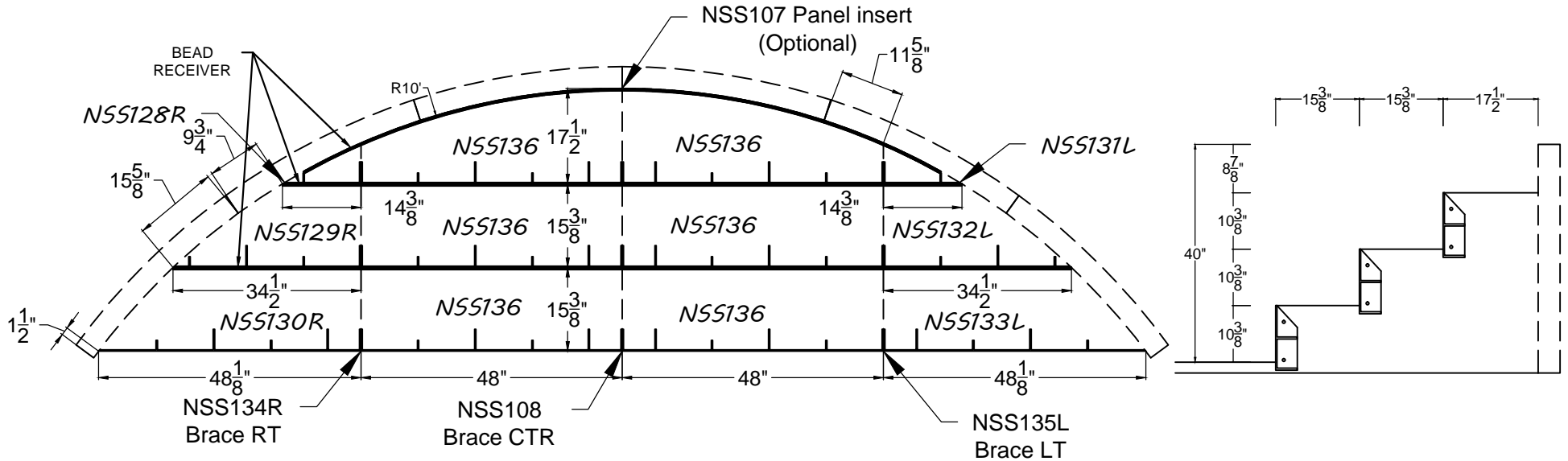
THIS STAIR / SUNDECK CONFORMS TO  
CURRENT *APSP/ANSI/ICC-5 2011* &  
*ISPSC 2024* STANDARDS FOR  
RESIDENTIAL INGROUND SWIMMING  
POOLS

15

# 9'R x 15'W Nexus Stair System - NSS004



# 10'R x 16'W Nexus Stair System - NSS005



**NOTES FOR INSTALLER:**  
PERIMETER PANELS WILL REQUIRE DRILLING HOLES TO ATTACH STEP RISERS



**Polymer**  
POOL SYSTEM

THIS STAIR / SUNDECK CONFORMS TO CURRENT *APSP/ANSI/ICC-5 2011* & *ISPSC 2024* STANDARDS FOR RESIDENTIAL INGROUND SWIMMING POOLS

# 42VS0890

Count	PART#	DESCRIPTION	LETTER
6	NSS136	48" Step Riser	(A)
1	NSS107	42" Stair Brace Wall Insert	(H)
2	NSS308	36" Sundeck / Stair Brace Extension	(T)
1	NSS304	2 Piece Straight Stair Brace - Top Step	(W)
1	NSS305	2 Piece Straight Stair Brace - Bottom Step	(X)

### Included Stair Hardware

1	149271	3/8" x 18" Rebar - Bundle of 20	---
40	149664	3/8" Washer Head Hex Nut	---
40	149670	3/8" x 1 1/4" Washer Head Hex Bolt	---
40	42999	1 5/8" Clip Screw	---
1	TEK75	Tek Screws - Pack of 75	---
6	NSS1112	Large Nexus Brace Clip	---
6	NSS8BR	8' Bead Receiver	---

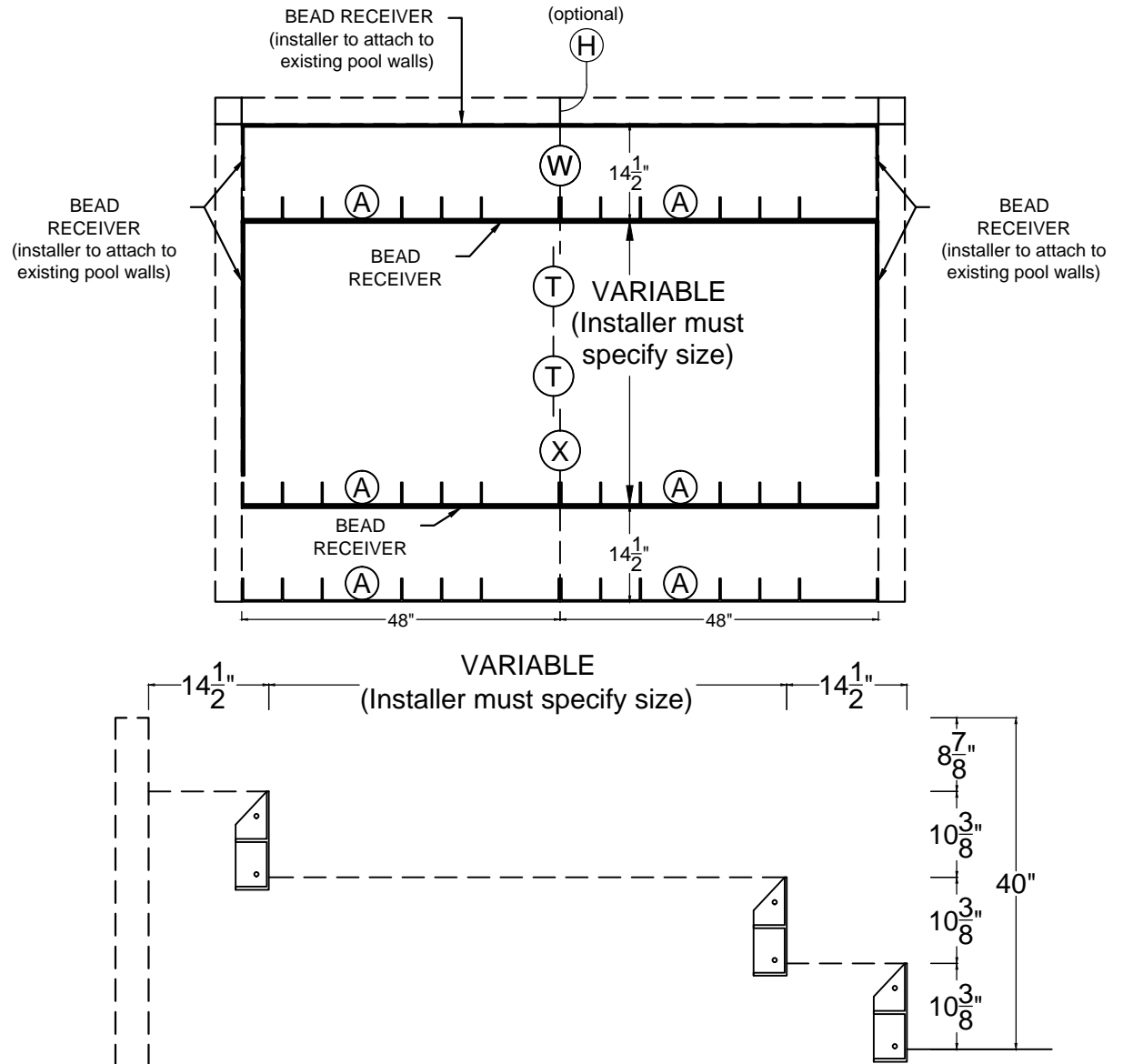
**NOTE:** This Modular Step Unit comes with Bead Receiver (NSS8BR) to accommodate sundecks up to 8' in width.

PLEASE PROVIDE SUNDECK  
SIZE FOR LINER PRODUCTION

42VS0890 - \_\_\_\_" SD

- 1) Steel braces will be attached BETWEEN sections on step treads. End flanges on adjoining step risers will create a pocket to insert the steel brace.
- 2) Steel braces NSS304 & NSS305 bolted together will create the standard NSS147 brace for full end step units.
- 3) Installer must specify the measurement of the sundeck area to ensure proper liner fit.
- 4) This Modular Step Unit can be made with 6" Radius Corners by installing the optional 6"R foam corner insert (GLAUC4442NT). One required per feature that must be cut to size. **ALWAYS SPECIFY CORNERS WHEN ORDERING THE POOL AND LINER.**

# 8' x 90° Nexus Full End Stair w/ Variable Sundeck 42VS0890



**NOTES FOR INSTALLER:**  
PERIMETER PANELS WILL  
REQUIRE DRILLING HOLES  
TO ATTACH STEP RISERS



# Imperial POOLS

**ALWAYS SPECIFY  
6" OR 90° CORNERS  
WHEN ORDERING THE  
POOL AND LINER.**

# Polymer

POOL SYSTEM

THIS STAIR / SUNDECK CONFORMS TO  
CURRENT *APSP/ANSI/ICC-5 2011* &  
*ISPS 2024* STANDARDS FOR  
RESIDENTIAL INGROUND SWIMMING  
POOLS

# 42VS1090

Count	PART#	DESCRIPTION	LETTER
6	NSS136	48" Step Riser	(A)
3	NSS169	24" Step Riser	(C)
2	NSS107	42" Stair Brace Wall Insert	(H)
4	NSS308	36" Sundeck / Stair Brace Extension	(T)
2	NSS304	2 Piece Straight Stair Brace - Top Step	(W)
2	NSS305	2 Piece Straight Stair Brace - Bottom Step	(X)

### Included Stair Hardware

1	149271	3/8" x 18" Rebar - Bundle of 20	---
40	149664	3/8" Washer Head Hex Nut	---
40	149670	3/8" x 1 1/4" Washer Head Hex Bolt	---
40	42999	1 5/8" Clip Screw	---
1	TEK75	Tek Screws - Pack of 75	---
6	NSS1112	Large Nexus Brace Clip	---
6	NSS8BR	8' Bead Receiver	---

**NOTE:** This Modular Step Unit comes with Bead Receiver (NSS8BR) to accommodate sundecks up to 8' in width.

PLEASE PROVIDE SUNDECK  
SIZE FOR LINER PRODUCTION

## 42VS1090 - \_\_\_\_\_" SD

- 1) Steel braces will be attached BETWEEN sections on step treads. End flanges on adjoining step risers will create a pocket to insert the steel brace.
- 2) Steel braces NSS304 & NSS305 bolted together will create the standard NSS147 brace for full end step units.
- 3) Installer must specify the measurement of the sundeck area to ensure proper liner fit.
- 4) This Modular Step Unit can be made with 6" Radius Corners by installing the optional 6"R foam corner insert (GLAUC4442NT). One required per feature that must be cut to size. **ALWAYS SPECIFY CORNERS WHEN ORDERING THE POOL AND LINER.**

**NOTES FOR INSTALLER:**  
PERIMETER PANELS WILL  
REQUIRE DRILLING HOLES  
TO ATTACH STEP RISERS



# Imperial POOLS

**ALWAYS SPECIFY  
6" OR 90° CORNERS  
WHEN ORDERING THE  
POOL AND LINER.**

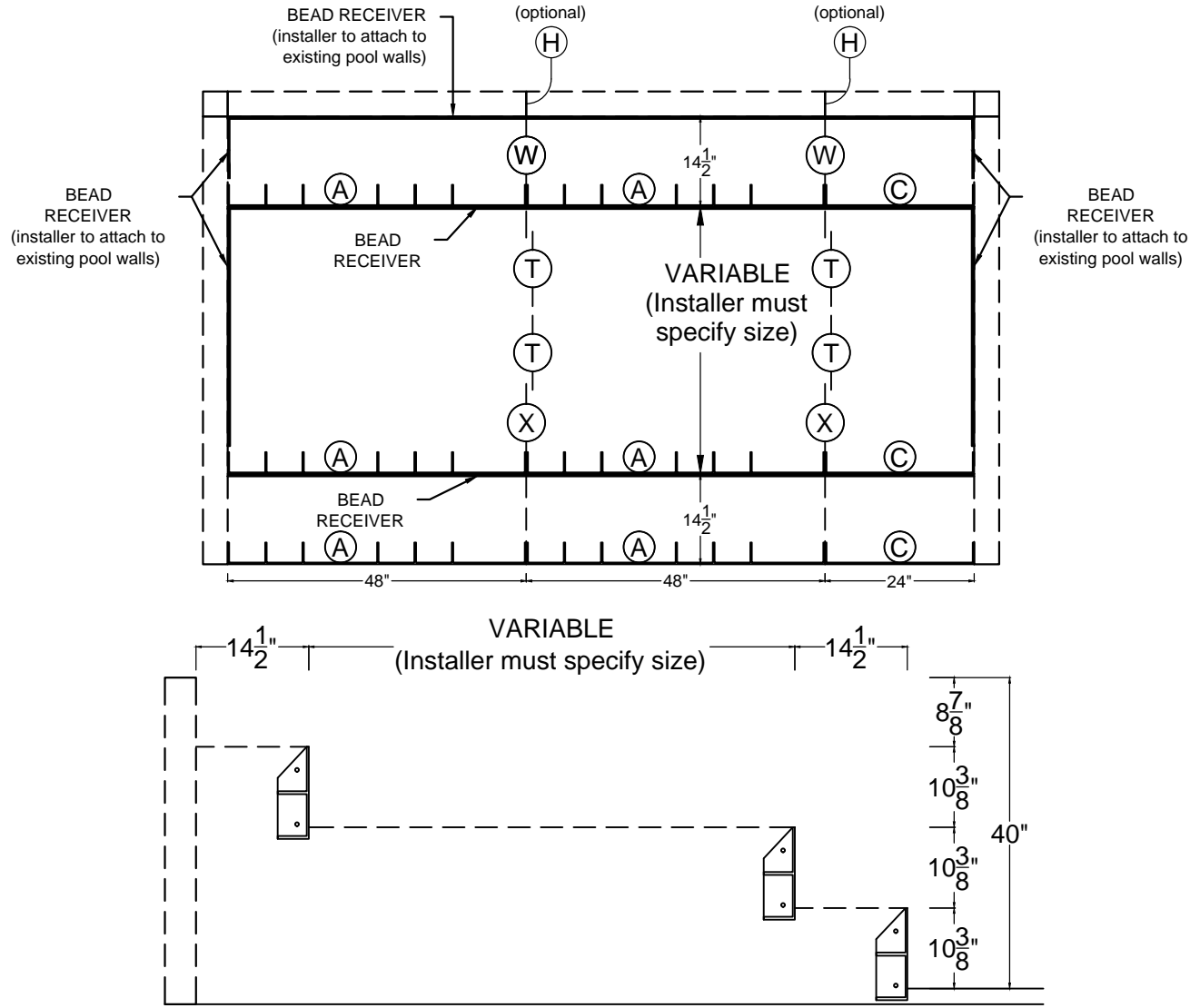
# Polymer

POOL SYSTEM

THIS STAIR / SUNDECK CONFORMS TO  
CURRENT *APSP/ANSI/ICC-5 2011* &  
*ISPS 2024* STANDARDS FOR  
RESIDENTIAL INGROUND SWIMMING  
POOLS

18

# 10' x 90° Nexus Full End Stair w/ Variable Sundeck 42VS1090



# 42VS1290

Count	PART#	DESCRIPTION	LETTER
9	NSS136	48" Step Riser	(A)
2	NSS107	42" Stair Brace Wall Insert	(H)
4	NSS308	36" Sundeck / Stair Brace Extension	(T)
2	NSS304	2 Piece Straight Stair Brace - Top Step	(W)
2	NSS305	2 Piece Straight Stair Brace - Bottom Step	(X)

### Included Stair Hardware

1	149271	3/8" x 18" Rebar - Bundle of 20	---
40	149664	3/8" Washer Head Hex Nut	---
40	149670	3/8" x 1 1/4" Washer Head Hex Bolt	---
40	42999	1 5/8" Clip Screw	---
1	TEK75	Tek Screws - Pack of 75	---
6	NSS1112	Large Nexus Brace Clip	---
7	NSS8BR	8' Bead Receiver	---

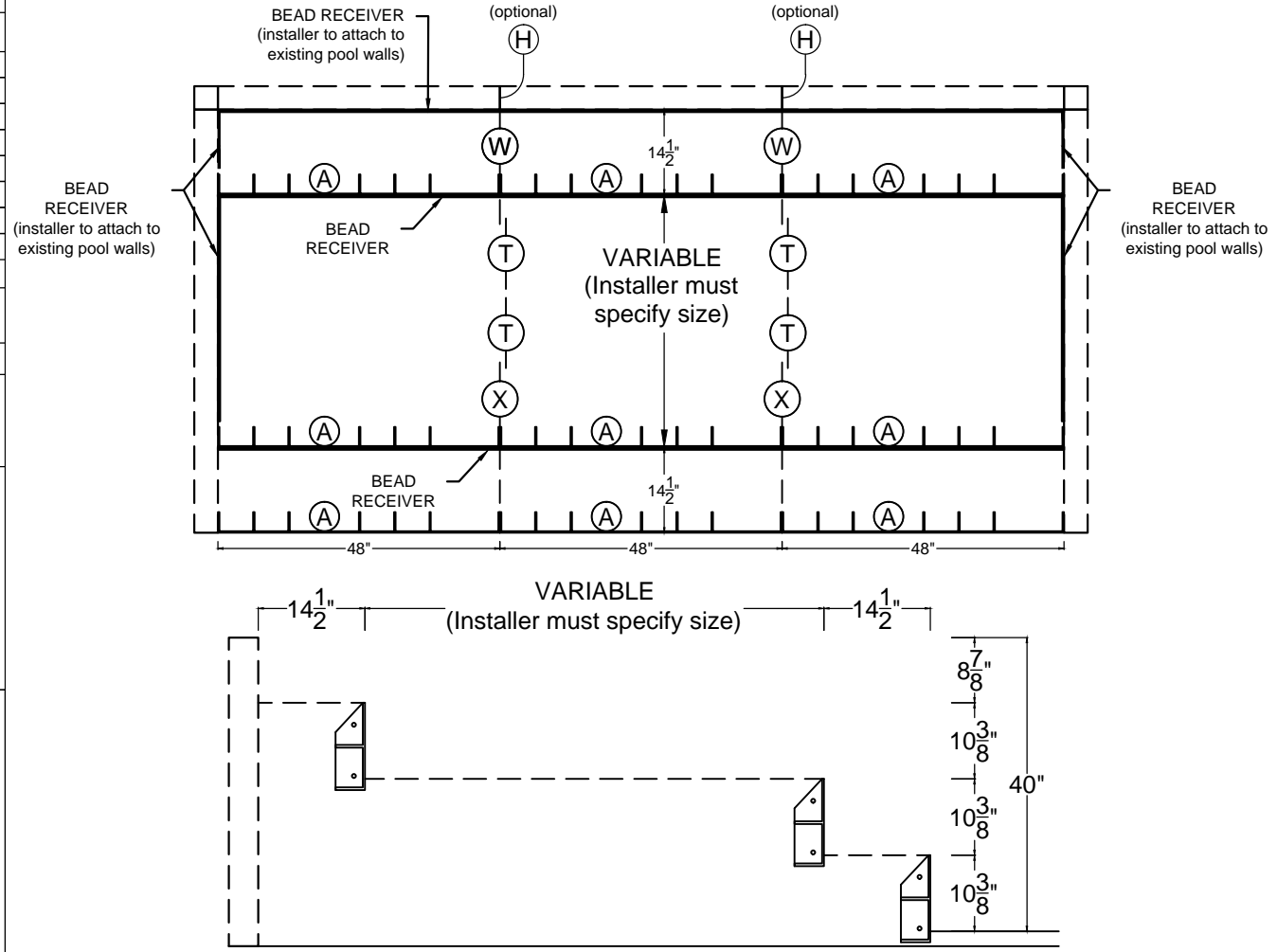
**NOTE:** This Modular Step Unit comes with Bead Receiver (NSS8BR) to accommodate sundecks up to 8' in width.

PLEASE PROVIDE SUNDECK  
SIZE FOR LINER PRODUCTION

42VS1290 - \_\_\_\_" SD

- 1) Steel braces will be attached BETWEEN sections on step treads. End flanges on adjoining step risers will create a pocket to insert the steel brace.
- 2) Steel braces NSS304 & NSS305 bolted together will create the standard NSS147 brace for full end step units.
- 3) Installer must specify the measurement of the sundeck area to ensure proper liner fit.
- 4) This Modular Step Unit can be made with 6" Radius Corners by installing the optional 6"R foam corner insert (GLAUC4442NT). One required per feature that must be cut to size. **ALWAYS SPECIFY CORNERS WHEN ORDERING THE POOL AND LINER.**

## 12' x 90° Nexus Full End Stair w/ Variable Sundeck 42VS1290



**NOTES FOR INSTALLER:**  
PERIMETER PANELS WILL  
REQUIRE DRILLING HOLES  
TO ATTACH STEP RISERS



# Imperial POOLS

**ALWAYS SPECIFY  
6" OR 90° CORNERS  
WHEN ORDERING THE  
POOL AND LINER.**

# Polymer POOL SYSTEM

THIS STAIR / SUNDECK CONFORMS TO  
CURRENT *APSP/ANSI/ICC-5 2011* &  
*ISPS 2024* STANDARDS FOR  
RESIDENTIAL INGROUND SWIMMING  
POOLS

19

# 42VS1490

Count	PART#	DESCRIPTION	LETTER
12	NSS100	42" Step Riser	(B)
3	NSS107	42" Stair Brace Wall Insert	(H)
6	NSS308	36" Sundeck / Stair Brace Extension	(T)
3	NSS304	2 Piece Straight Stair Brace - Top Step	(W)
3	NSS305	2 Piece Straight Stair Brace - Bottom Step	(X)

### Included Stair Hardware

1	149271	3/8" x 18" Rebar - Bundle of 20	---
70	149664	3/8" Washer Head Hex Nut	---
70	149670	3/8" x 1 1/4" Washer Head Hex Bolt	---
40	42999	1 5/8" Clip Screw	---
1	TEK75	Tek Screws - Pack of 75	---
6	NSS1112	Large Nexus Brace Clip	---
8	NSS8BR	8' Bead Receiver	---

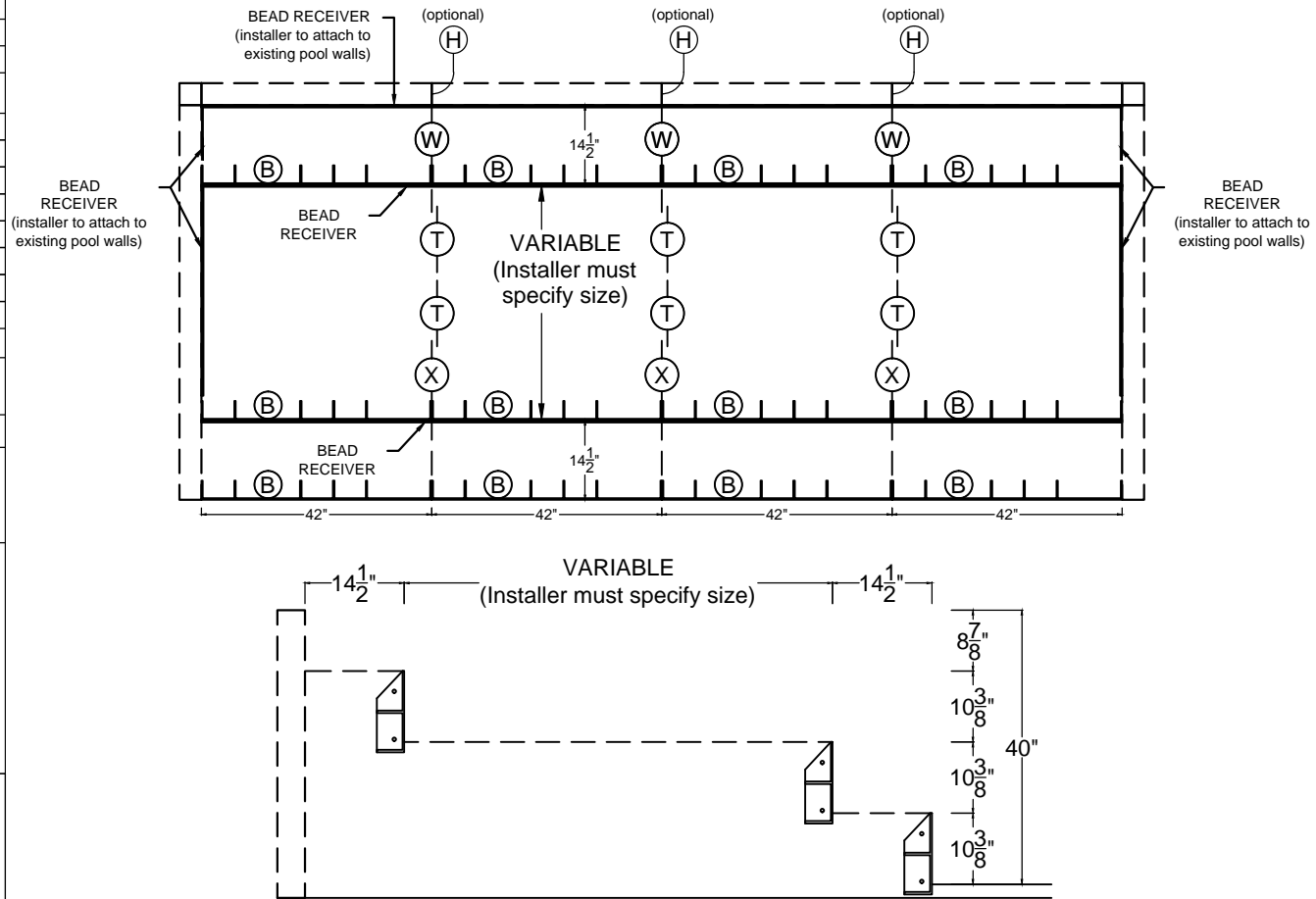
**NOTE:** This Modular Step Unit comes with Bead Receiver (NSS8BR) to accommodate sundecks up to 8' in width.

PLEASE PROVIDE SUNDECK  
SIZE FOR LINER PRODUCTION

42VS1490 - \_\_\_\_" SD

- 1) Steel braces will be attached BETWEEN sections on step treads. End flanges on adjoining step risers will create a pocket to insert the steel brace.
- 2) Steel braces NSS304 & NSS305 bolted together will create the standard NSS147 brace for full end step units.
- 3) Installer must specify the measurement of the sundeck area to ensure proper liner fit.
- 4) This Modular Step Unit can be made with 6" Radius Corners by installing the optional 6"R foam corner insert (GLAUC4442NT). One required per feature that must be cut to size. **ALWAYS SPECIFY CORNERS WHEN ORDERING THE POOL AND LINER.**

## 14' x 90° Nexus Full End Stair w/ Variable Sundeck 42VS1490



**NOTES FOR INSTALLER:**  
PERIMETER PANELS WILL  
REQUIRE DRILLING HOLES  
TO ATTACH STEP RISERS



Imperial  
POOLS

**ALWAYS SPECIFY  
6" OR 90° CORNERS  
WHEN ORDERING THE  
POOL AND LINER.**

**Polymer**  
POOL SYSTEM

THIS STAIR / SUNDECK CONFORMS TO  
CURRENT *APSP/ANSI/ICC-5 2011* &  
*ISPS 2024* STANDARDS FOR  
RESIDENTIAL INGROUND SWIMMING  
POOLS

20



# 42VS1690

Count	PART#	DESCRIPTION	LETTER
12	NSS136	48" Step Riser	(A)
3	NSS107	42" Stair Brace Wall Insert	(H)
6	NSS308	36" Sundeck / Stair Brace Extension	(T)
3	NSS304	2 Piece Straight Stair Brace - Top Step	(W)
3	NSS305	2 Piece Straight Stair Brace - Bottom Step	(X)

### Included Stair Hardware

1	149271	3/8" x 18" Rebar - Bundle of 20	---
70	149664	3/8" Washer Head Hex Nut	---
70	149670	3/8" x 1 1/4" Washer Head Hex Bolt	---
40	42999	1 5/8" Clip Screw	---
1	TEK75	Tek Screws - Pack of 75	---
6	NSS1112	Large Nexus Brace Clip	---
9	NSS8BR	8' Bead Receiver	---

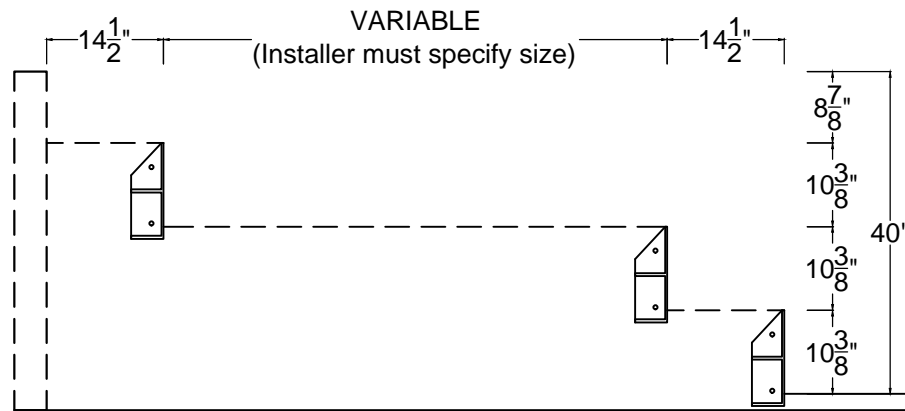
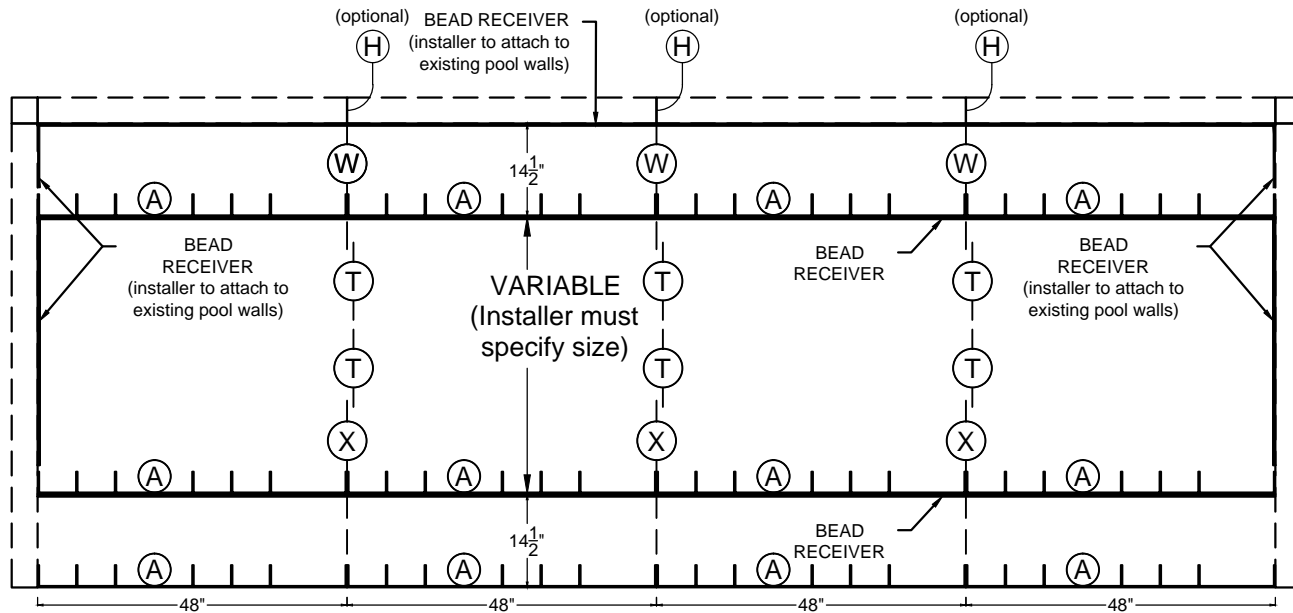
**NOTE:** This Modular Step Unit comes with Bead Receiver (NSS8BR) to accommodate sundecks up to 8' in width.

PLEASE PROVIDE SUNDECK  
SIZE FOR LINER PRODUCTION

42VS1690 - \_\_\_\_" SD

- 1) Steel braces will be attached BETWEEN sections on step treads. End flanges on adjoining step risers will create a pocket to insert the steel brace.
- 2) Steel braces NSS304 & NSS305 bolted together will create the standard NSS147 brace for full end step units.
- 3) Installer must specify the measurement of the sundeck area to ensure proper liner fit.
- 4) This Modular Step Unit can be made with 6" Radius Corners by installing the optional 6"R foam corner insert (GLAUC4442NT). One required per feature that must be cut to size. **ALWAYS SPECIFY CORNERS WHEN ORDERING THE POOL AND LINER.**

## 16' x 90° Nexus Full End Stair w/ Variable Sundeck 42VS1690



**NOTES FOR INSTALLER:**  
PERIMETER PANELS WILL  
REQUIRE DRILLING HOLES  
TO ATTACH STEP RISERS



# Imperial POOLS

**ALWAYS SPECIFY  
6" OR 90° CORNERS  
WHEN ORDERING THE  
POOL AND LINER.**

# Polymer

POOL SYSTEM

THIS STAIR / SUNDECK CONFORMS TO  
CURRENT *APSP/ANSI/ICC-5 2011* &  
*ISPS 2024* STANDARDS FOR  
RESIDENTIAL INGROUND SWIMMING  
POOLS

21

# 42VS1890

Count	PART#	DESCRIPTION	LETTER
3	NSS136	48" Step Riser	(A)
12	NSS100	42" Step Riser	(B)
4	NSS107	42" Stair Brace Wall Insert	(H)
8	NSS308	36" Sundeck / Stair Brace Extension	(T)
4	NSS304	2 Piece Straight Stair Brace - Top Step	(W)
4	NSS305	2 Piece Straight Stair Brace - Bottom Step	(X)

### Included Stair Hardware

1	149271	3/8" x 18" Rebar - Bundle of 20	---
70	149664	3/8" Washer Head Hex Nut	---
70	149670	3/8" x 1 1/4" Washer Head Hex Bolt	---
40	42999	1 5/8" Clip Screw	---
1	TEK75	Tek Screws - Pack of 75	---
6	NSS1112	Large Nexus Brace Clip	---
9	NSS8BR	8' Bead Receiver	---

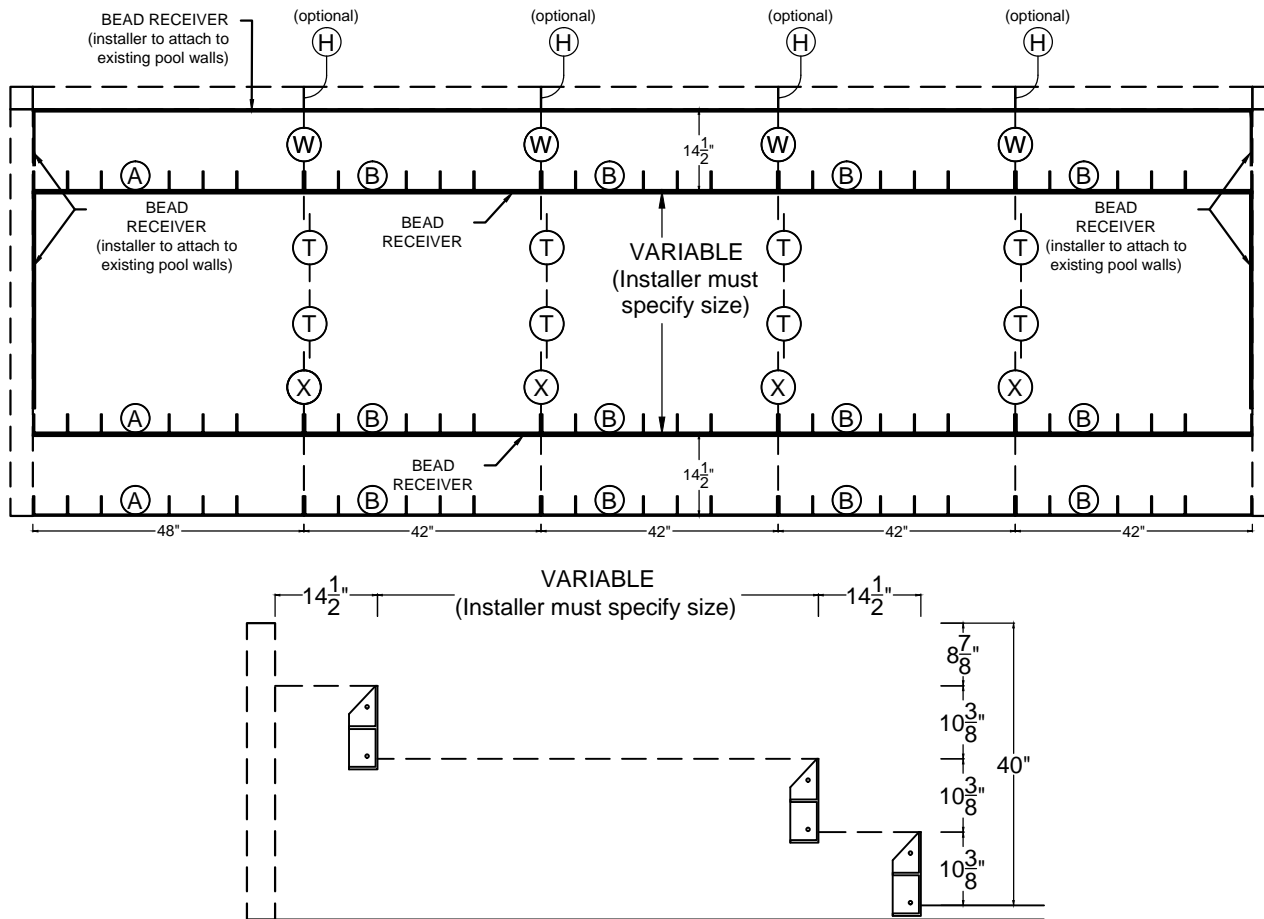
**NOTE:** This Modular Step Unit comes with Bead Receiver (NSS8BR) to accommodate sundecks up to 8' in width.

PLEASE PROVIDE SUNDECK  
SIZE FOR LINER PRODUCTION

42VS1890 - \_\_\_\_\_" SD

- 1) Steel braces will be attached BETWEEN sections on step treads. End flanges on adjoining step risers will create a pocket to insert the steel brace.
- 2) Steel braces NSS304 & NSS305 bolted together will create the standard NSS147 brace for full end step units.
- 3) Installer must specify the measurement of the sundeck area to ensure proper liner fit.
- 4) This Modular Step Unit can be made with 6" Radius Corners by installing the optional 6"R foam corner insert (GLAUC4442NT). One required per feature that must be cut to size. **ALWAYS SPECIFY CORNERS WHEN ORDERING THE POOL AND LINER.**

## 18' x 90° Nexus Full End Stair w/ Variable Sundeck 42VS1890



**NOTES FOR INSTALLER:**  
PERIMETER PANELS WILL  
REQUIRE DRILLING HOLES  
TO ATTACH STEP RISERS



# Imperial POOLS

**ALWAYS SPECIFY  
6" OR 90° CORNERS  
WHEN ORDERING THE  
POOL AND LINER.**

# Polymer

POOL SYSTEM

THIS STAIR / SUNDECK CONFORMS TO  
CURRENT *APSP/ANSI/ICC-5 2011* &  
*ISPSA 2024* STANDARDS FOR  
RESIDENTIAL INGROUND SWIMMING  
POOLS

22

# 42VS2090

Count	PART#	DESCRIPTION	LETTER
15	NSS136	48" Step Riser	(A)
4	NSS107	42" Stair Brace Wall Insert	(H)
8	NSS308	36" Sundeck / Stair Brace Extension	(T)
4	NSS304	2 Piece Straight Stair Brace - Top Step	(W)
4	NSS305	2 Piece Straight Stair Brace - Bottom Step	(X)

### Included Stair Hardware

1	149271	3/8" x 18" Rebar - Bundle of 20	---
70	149664	3/8" Washer Head Hex Nut	---
70	149670	3/8" x 1 1/4" Washer Head Hex Bolt	---
40	42999	1 5/8" Clip Screw	---
1	TEK75	Tek Screws - Pack of 75	---
6	NSS1112	Large Nexus Brace Clip	---
10	NSS8BR	8' Bead Receiver	---

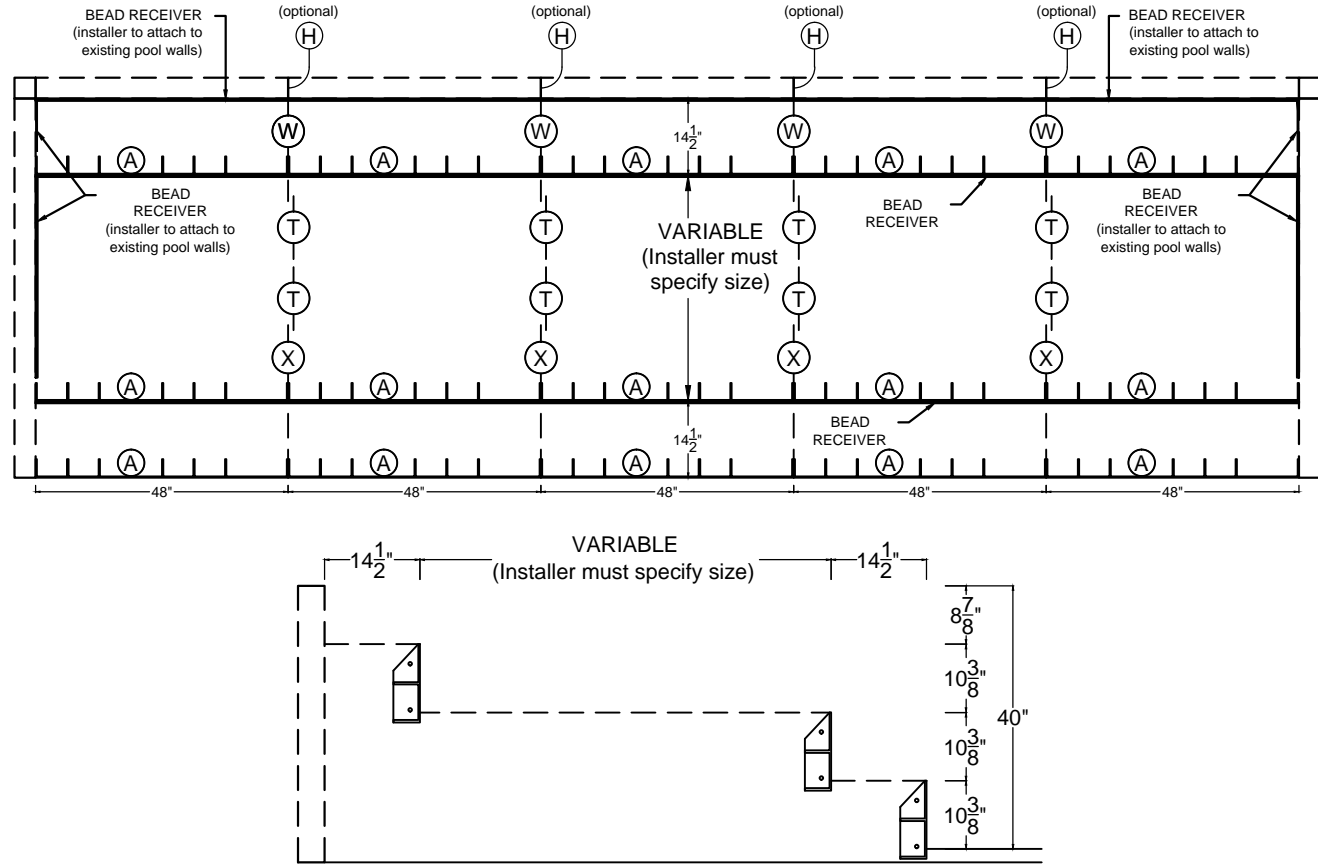
**NOTE:** This Modular Step Unit comes with Bead Receiver (NSS8BR) to accommodate sundecks up to 8' in width.

PLEASE PROVIDE SUNDECK  
SIZE FOR LINER PRODUCTION

42VS2090 - \_\_\_\_" SD

- 1) Steel braces will be attached BETWEEN sections on step treads. End flanges on adjoining step risers will create a pocket to insert the steel brace.
- 2) Steel braces NSS304 & NSS305 bolted together will create the standard NSS147 brace for full end step units.
- 3) Installer must specify the measurement of the sundeck area to ensure proper liner fit.
- 4) This Modular Step Unit can be made with 6" Radius Corners by installing the optional 6"R foam corner insert (GLAUC4442NT). One required per feature that must be cut to size. **ALWAYS SPECIFY CORNERS WHEN ORDERING THE POOL AND LINER.**

## 20' x 90° Nexus Full End Stair w/ Variable Sundeck 42VS2090



**NOTES FOR INSTALLER:**  
PERIMETER PANELS WILL  
REQUIRE DRILLING HOLES  
TO ATTACH STEP RISERS



# Imperial POOLS

**ALWAYS SPECIFY  
6" OR 90° CORNERS  
WHEN ORDERING THE  
POOL AND LINER.**

# Polymer

POOL SYSTEM

THIS STAIR / SUNDECK CONFORMS TO  
CURRENT *APSP/ANSI/ICC-5 2011* &  
*ISPS 2024* STANDARDS FOR  
RESIDENTIAL INGROUND SWIMMING  
POOLS

23

# 42SS1690-0808-08RB

Count	PART#	DESCRIPTION	LETTER
8	NSS136	48" Step Riser	(A)
3	NSS107	42" Stair Brace Wall Insert	(H)
2	NSS300	48" Sundeck / Bench Riser	(L)
1	NSS302	24" Sundeck / Bench Riser	(M)
1	NSS303	2"RR Sundeck / Bench Riser	(P)
3	NSS147	Straight Stair Brace - 14.5" Tread	(U)
2	NSS150	Variable Sundeck Brace	(V)
1	NSS304	2 Piece Straight Stair Brace - Top Step	(W)
2	NSS306 (04N296-3)	24" Sundeck / Bench Brace	(Y)

### Included Stair Hardware

1	149271	3/8" x 18" Rebar - Bundle of 20	---
70	149664	3/8" Washer Head Hex Nut	---
70	149670	3/8" x 1 1/4" Washer Head Hex Bolt	---
40	42999	1 5/8" Clip Screw	---
1	TEK75	Tek Screws - Pack of 75	---
6	NSS1112	Large Nexus Brace Clip	---
6	NSS8BR	8' Bead Receiver	---

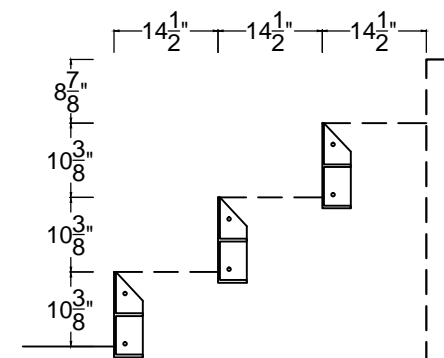
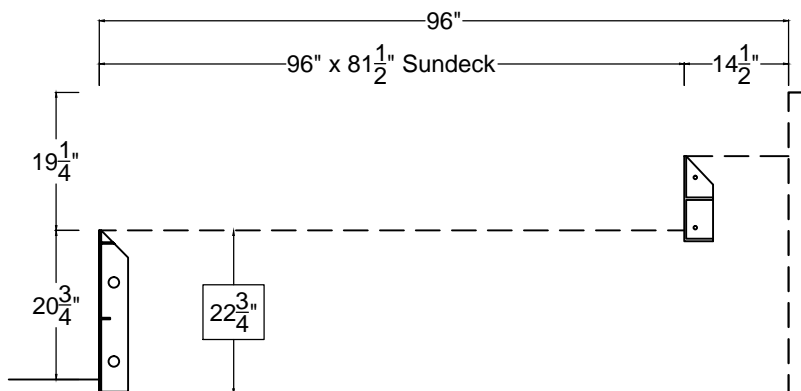
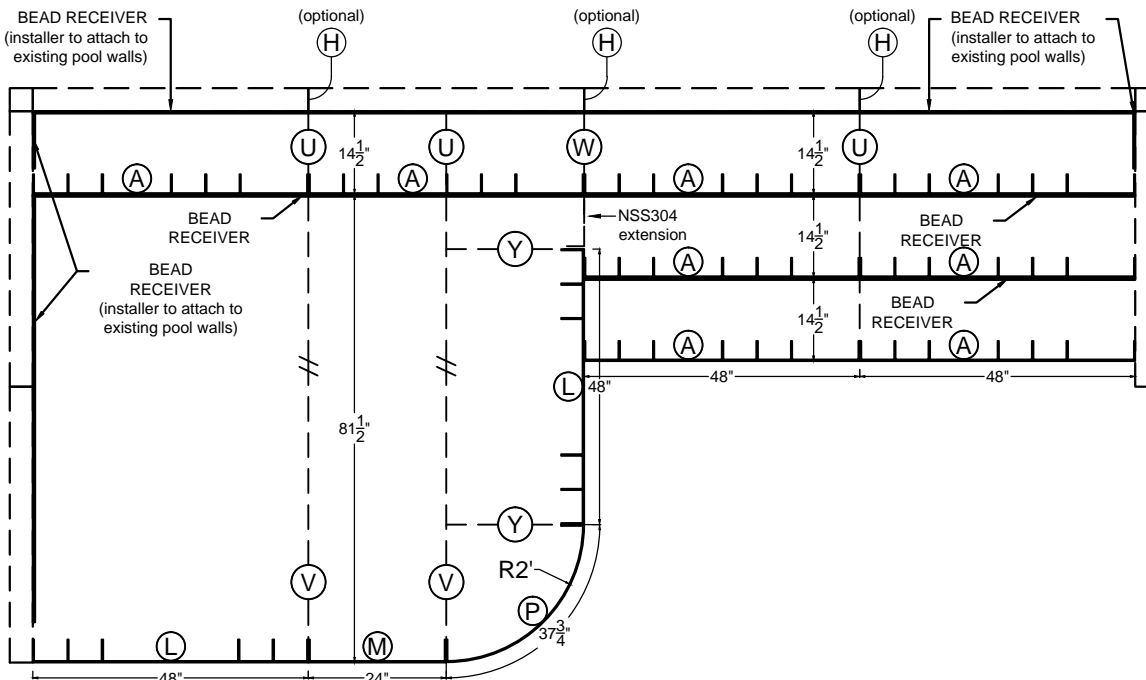
### Vinyl Works Liner Special Feature Item Numbers

VW42SS1690-0808-08RB-90

VW42SS1690-0808-08RB-6R

- 1) Steel braces will be attached BETWEEN sections on step treads. End flanges on adjoining step risers will create a pocket to insert the steel brace.
- 2) Steel braces NSS304 & NSS305 bolted together will create the standard NSS147 brace for full end step units.
- 3) Installer must specify the measurement of the sundeck area to ensure proper liner fit.
- 4) This Modular Step Unit can be made with 6" Radius Corners by installing the optional 6"R foam corner insert (GLAUC4442NT). One required per feature that must be cut to size. **ALWAYS SPECIFY CORNERS WHEN ORDERING THE POOL AND LINER.**

## 16' x 90° Nexus Side-by-Side w/ 8' Stair & 8' x 8' Sundeck Right 42SS1690-0808-08RB



**NOTES FOR INSTALLER:**  
PERIMETER PANELS WILL REQUIRE DRILLING HOLES TO ATTACH STEP RISERS



**Imperial  
POOLS**

**ALWAYS SPECIFY  
6" OR 90° CORNERS  
WHEN ORDERING THE  
POOL AND LINER.**

**Polymer  
POOL SYSTEM**

THIS STAIR / SUNDECK CONFORMS TO  
CURRENT *APSP/ANSI/ICC-5 2011* &  
*ISPS 2024* STANDARDS FOR  
RESIDENTIAL INGROUND SWIMMING  
POOLS

24

# 42SS1690-0808-08LB

# 16' x 90° Nexus Side-by-Side w/ 8' Stair & 8' x 8' Sundeck Left 42SS1690-0808-08LB

Count	PART#	DESCRIPTION	LETTER
8	NSS136	48" Step Riser	(A)
3	NSS107	42" Stair Brace Wall Insert	(H)
2	NSS300	48" Sundeck / Bench Riser	(L)
1	NSS302	24" Sundeck / Bench Riser	(M)
1	NSS303	2"RR Sundeck / Bench Riser	(P)
3	NSS147	Straight Stair Brace - 14.5" Tread	(U)
2	NSS150	Variable Sundeck Brace	(V)
1	NSS304	2 Piece Straight Stair Brace - Top Step	(W)
2	NSS306 (04N296-3)	24" Sundeck / Bench Brace	(Y)

### Included Stair Hardware

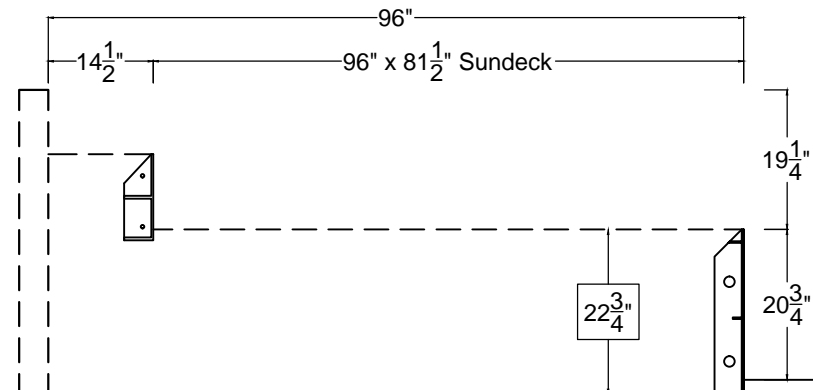
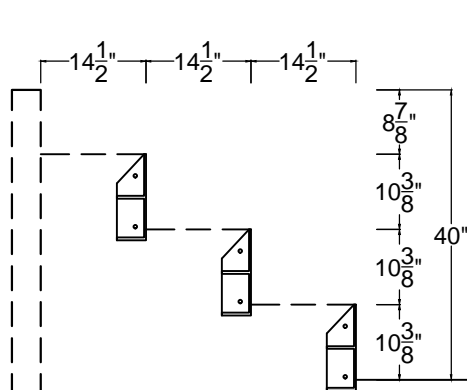
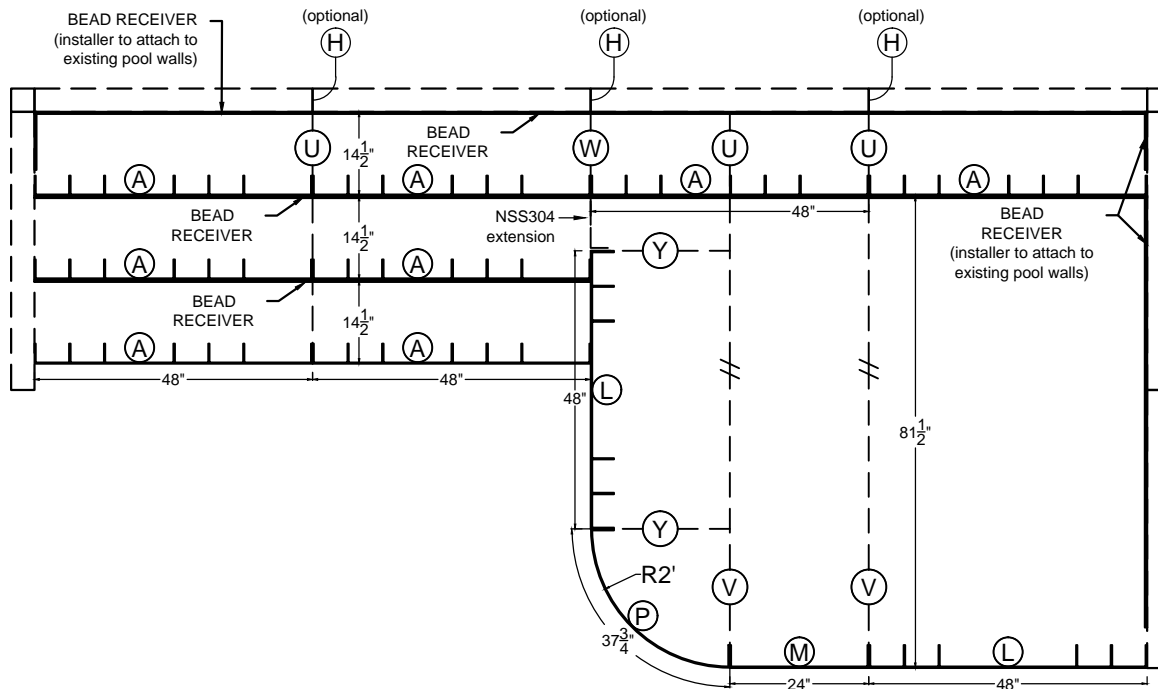
1	149271	3/8" x 18" Rebar - Bundle of 20	---
70	149664	3/8" Washer Head Hex Nut	---
70	149670	3/8" x 1 1/4" Washer Head Hex Bolt	---
40	42999	1 5/8" Clip Screw	---
1	TEK75	Tek Screws - Pack of 75	---
6	NSS1112	Large Nexus Brace Clip	---
6	NSS8BR	8' Bead Receiver	---

### Vinyl Works Liner Special Feature Item Numbers

VW42SS1690-0808-08LB-90

VW42SS1690-0808-08LB-6R

- 1) Steel braces will be attached BETWEEN sections on step treads. End flanges on adjoining step risers will create a pocket to insert the steel brace.
- 2) Steel braces NSS304 & NSS305 bolted together will create the standard NSS147 brace for full end step units.
- 3) Installer must specify the measurement of the sundeck area to ensure proper liner fit.
- 4) This Modular Step Unit can be made with 6" Radius Corners by installing the optional 6"R foam corner insert (GLAUC4442NT). One required per feature that must be cut to size. **ALWAYS SPECIFY CORNERS WHEN ORDERING THE POOL AND LINER.**



**NOTES FOR INSTALLER:**  
PERIMETER PANELS WILL REQUIRE DRILLING HOLES TO ATTACH STEP RISERS



**Imperial  
POOLS**

**ALWAYS SPECIFY  
6" OR 90° CORNERS  
WHEN ORDERING THE  
POOL AND LINER.**

**Polymer  
POOL SYSTEM**

THIS STAIR / SUNDECK CONFORMS TO  
CURRENT *APSP/ANSI/ICC-5 2011* &  
*ISPS 2024* STANDARDS FOR  
RESIDENTIAL INGROUND SWIMMING  
POOLS

25

# 42SS1690-0808-06RB

# 16' x 90° Nexus Side-by-Side w/ 8' Stair & 8' x 6' Sundeck Right 42SS1690-0808-06RB

Count	PART#	DESCRIPTION	LETTER
8	NSS136	48" Step Riser	(A)
3	NSS107	42" Stair Brace Wall Insert	(H)
1	NSS300	48" Sundeck / Bench Riser	(L)
2	NSS302	24" Sundeck / Bench Riser	(M)
1	NSS303	2"RR Sundeck / Bench Riser	(P)
3	NSS147	Straight Stair Brace - 14.5" Tread	(U)
2	NSS150	Variable Sundeck Brace	(V)
1	NSS304	2 Piece Straight Stair Brace - Top Step	(W)
2	NSS306 (04N296-3)	24" Sundeck / Bench Brace	(Y)

### Included Stair Hardware

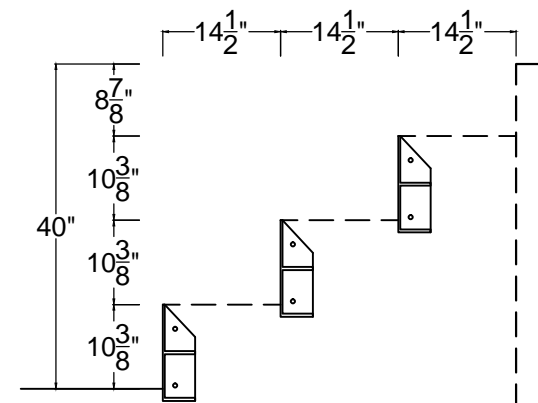
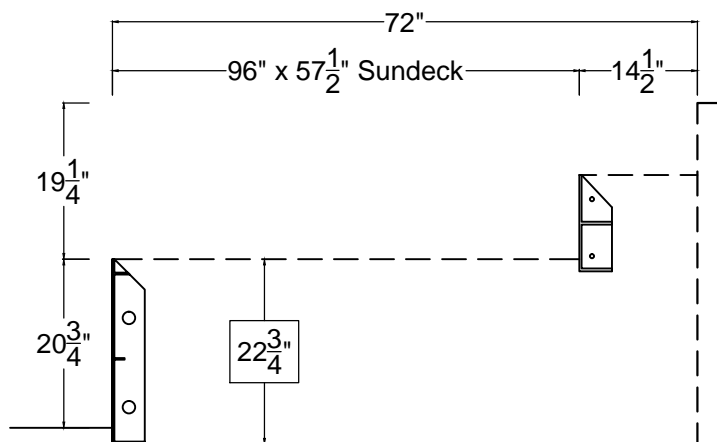
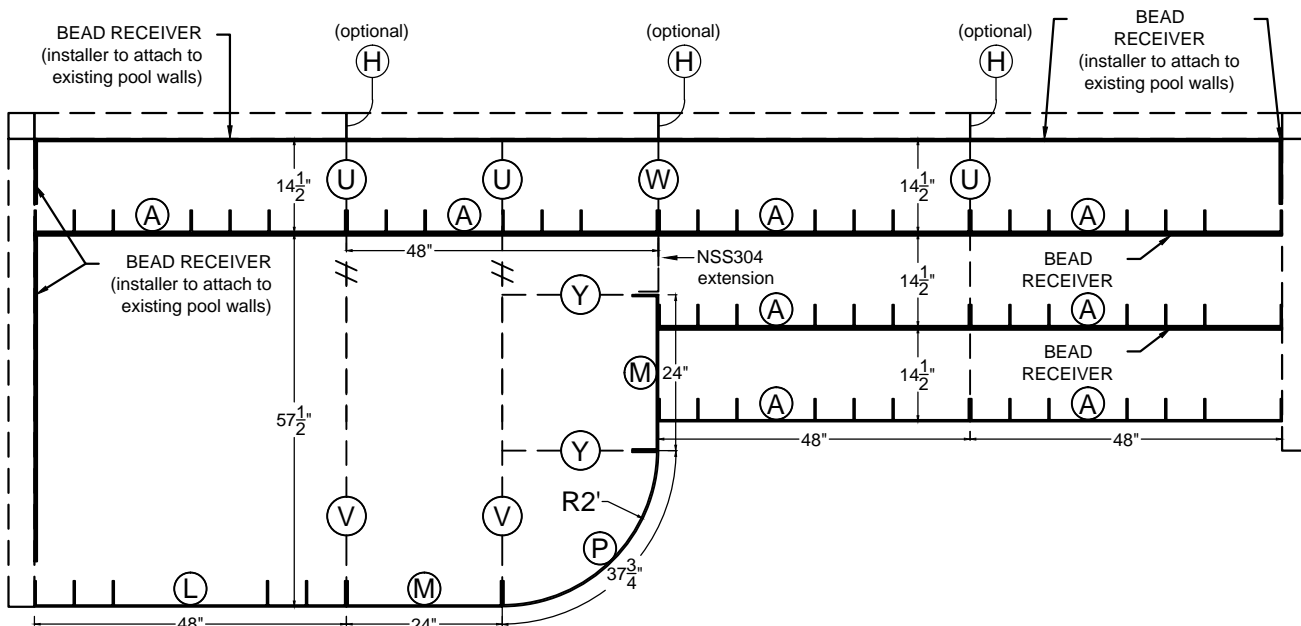
1	149271	3/8" x 18" Rebar - Bundle of 20	---
70	149664	3/8" Washer Head Hex Nut	---
70	149670	3/8" x 1 1/4" Washer Head Hex Bolt	---
40	42999	1 5/8" Clip Screw	---
1	TEK75	Tek Screws - Pack of 75	---
6	NSS1112	Large Nexus Brace Clip	---
6	NSS8BR	8' Bead Receiver	---

### Vinyl Works Liner Special Feature Item Numbers

VW42SS1690-0808-06RB-90

VW42SS1690-0808-06RB-6R

- 1) Steel braces will be attached BETWEEN sections on step treads. End flanges on adjoining step risers will create a pocket to insert the steel brace.
- 2) Steel braces NSS304 & NSS305 bolted together will create the standard NSS147 brace for full end step units.
- 3) Installer must specify the measurement of the sundeck area to ensure proper liner fit.
- 4) This Modular Step Unit can be made with 6" Radius Corners by installing the optional 6"R foam corner insert (GLAUC4442NT). One required per feature that must be cut to size. **ALWAYS SPECIFY CORNERS WHEN ORDERING THE POOL AND LINER.**



**NOTES FOR INSTALLER:**  
PERIMETER PANELS WILL REQUIRE DRILLING HOLES TO ATTACH STEP RISERS



# Imperial POOLS

**ALWAYS SPECIFY 6" OR 90° CORNERS WHEN ORDERING THE POOL AND LINER.**

# Polymer POOL SYSTEM

THIS STAIR / SUNDECK CONFORMS TO CURRENT *APSP/ANSI/ICC-5 2011* & *ISPS 2024* STANDARDS FOR RESIDENTIAL INGROUND SWIMMING POOLS

26

# 42SS1690-0808-06LB

Count	PART#	DESCRIPTION	LETTER
8	NSS136	48" Step Riser	(A)
3	NSS107	42" Stair Brace Wall Insert	(H)
1	NSS300	48" Sundeck / Bench Riser	(L)
2	NSS302	24" Sundeck / Bench Riser	(M)
1	NSS303	2'RR Sundeck / Bench Riser	(P)
3	NSS147	Straight Stair Brace - 14.5" Tread	(U)
2	NSS150	Variable Sundeck Brace	(V)
1	NSS304	2 Piece Straight Stair Brace - Top Step	(W)
2	NSS306 (04N296-3)	24" Sundeck / Bench Brace	(Y)

### Included Stair Hardware

1	149271	3/8" x 18" Rebar - Bundle of 20	---
70	149664	3/8" Washer Head Hex Nut	---
70	149670	3/8" x 1 1/4" Washer Head Hex Bolt	---
40	42999	1 5/8" Clip Screw	---
1	TEK75	Tek Screws - Pack of 75	---
6	NSS1112	Large Nexus Brace Clip	---
6	NSS8BR	8" Bead Receiver	---

### Vinyl Works Liner Special Feature Item Numbers

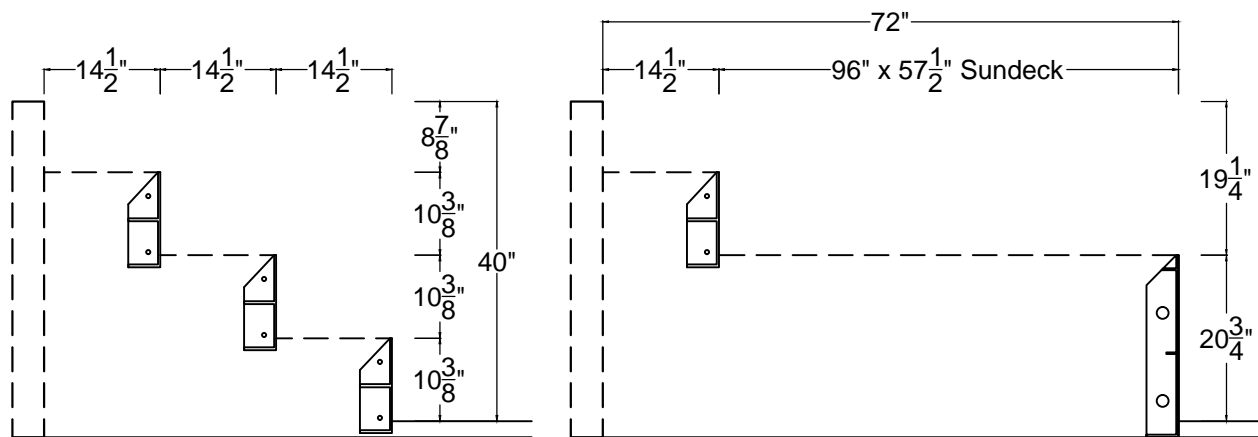
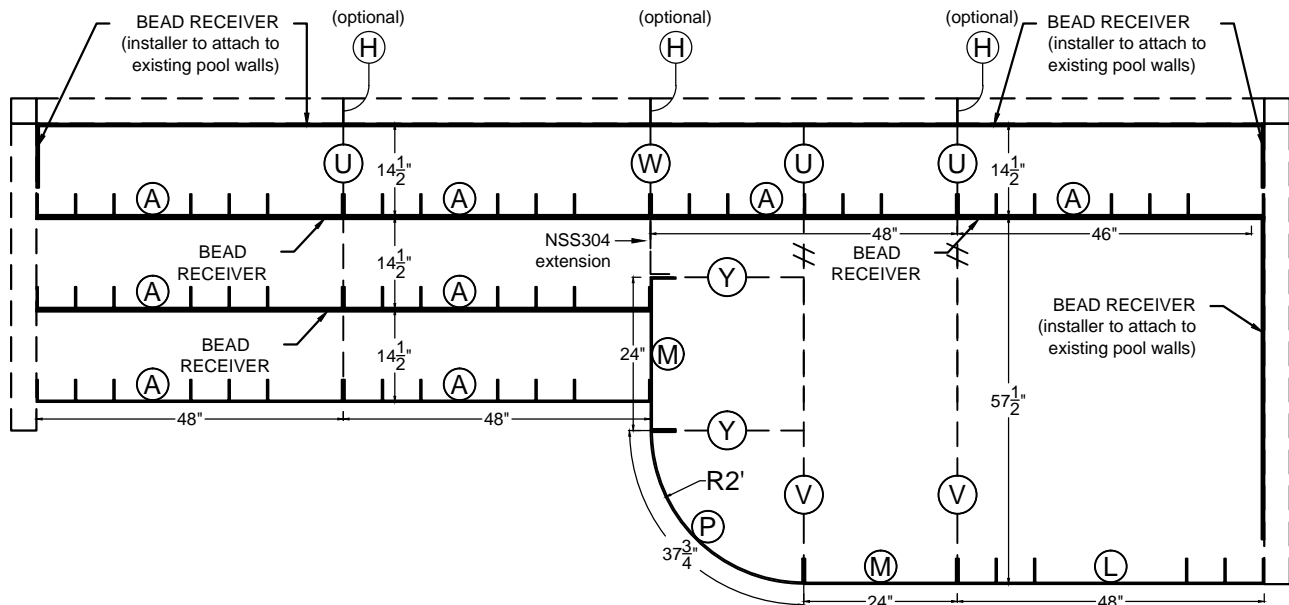
VW42SS1690-0808-06LB-90

VW42SS1690-0808-06LB-6R

- 1) Steel braces will be attached BETWEEN sections on step treads. End flanges on adjoining step risers will create a pocket to insert the steel brace.
- 2) Steel braces NSS304 & NSS305 bolted together will create the standard NSS147 brace for full end step units.
- 3) Installer must specify the measurement of the sundeck area to ensure proper liner fit.
- 4) This Modular Step Unit can be made with 6" Radius Corners by installing the optional 6"R foam corner insert (GLAUC4442NT). One required per feature that must be cut to size. **ALWAYS SPECIFY CORNERS WHEN ORDERING THE POOL AND LINER.**

## 16' x 90° Nexus Side-by-Side w/ 8' Stair & 8' x 6' Sundeck Left

### 42SS1690-0808-06LB



**NOTES FOR INSTALLER:**  
PERIMETER PANELS WILL REQUIRE DRILLING HOLES TO ATTACH STEP RISERS



# Imperial POOLS

**ALWAYS SPECIFY 6" OR 90° CORNERS WHEN ORDERING THE POOL AND LINER.**

# Polymer POOL SYSTEM

THIS STAIR / SUNDECK CONFORMS TO CURRENT *APSP/ANSI/ICC-5 2011* & *ISPS 2024* STANDARDS FOR RESIDENTIAL INGROUND SWIMMING POOLS

27

# 42SS1690-0610-08RB

Count	PART#	DESCRIPTION	LETTER
6	NSS136	48" Step Riser	(A)
2	NSS169	24" Step Riser	(C)
3	NSS107	42" Stair Brace Wall Insert	(H)
3	NSS300	48" Sundeck / Bench Riser	(L)
1	NSS303	2"RR Sundeck / Bench Riser	(P)
3	NSS147	Straight Stair Brace - 14.5" Tread	(U)
2	NSS150	Variable Sundeck Brace	(V)
1	NSS304	2 Piece Straight Stair Brace - Top Step	(W)
2	NSS306 (04N296-3)	24" Sundeck / Bench Brace	(Y)

### Included Stair Hardware

1	149271	3/8" x 18" Rebar - Bundle of 20	---
70	149664	3/8" Washer Head Hex Nut	---
70	149670	3/8" x 1 1/4" Washer Head Hex Bolt	---
40	42999	1 5/8" Clip Screw	---
1	TEK75	Tek Screws - Pack of 75	---
6	NSS1112	Large Nexus Brace Clip	---
6	NSS8BR	8' Bead Receiver	---

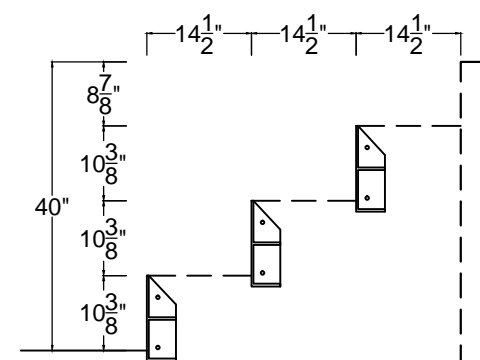
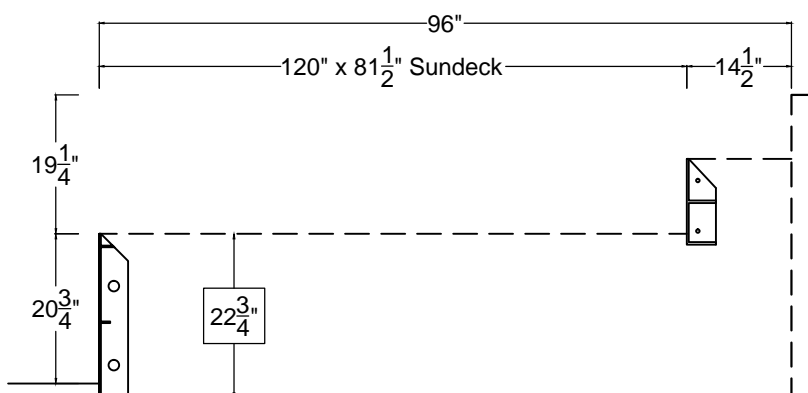
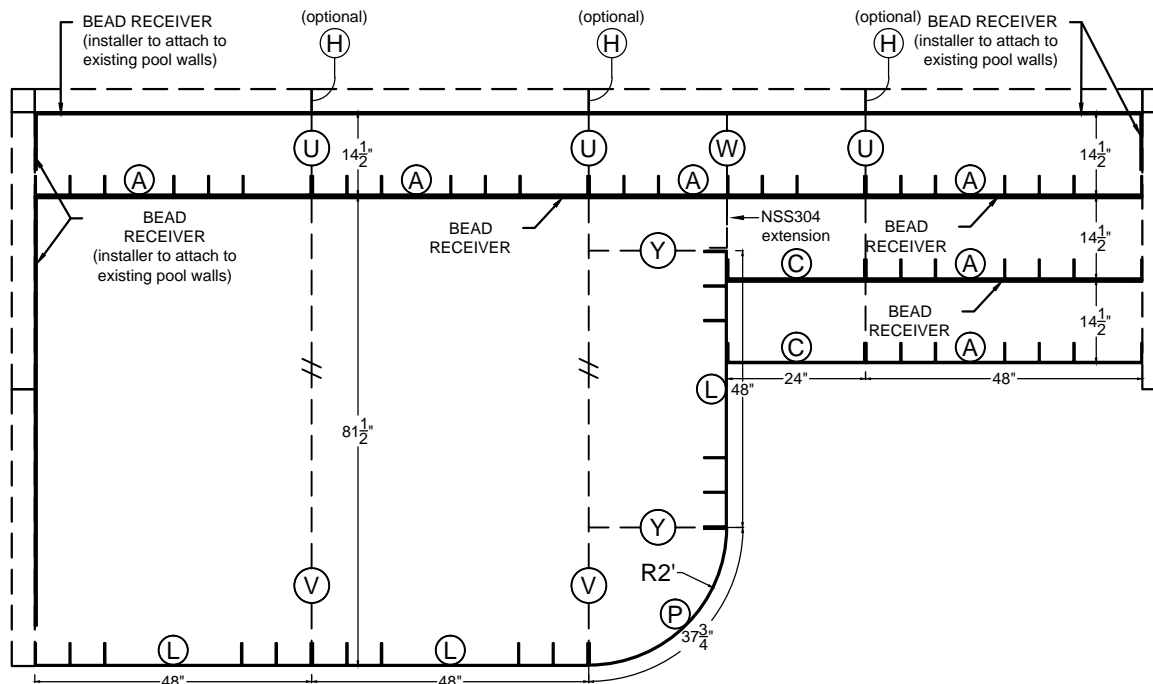
### Vinyl Works Liner Special Feature Item Numbers

VW42SS1690-0610-08RB-90

VW42SS1690-0610-08RB-6R

- 1) Steel braces will be attached BETWEEN sections on step treads. End flanges on adjoining step risers will create a pocket to insert the steel brace.
- 2) Steel braces NSS304 & NSS305 bolted together will create the standard NSS147 brace for full end step units.
- 3) Installer must specify the measurement of the sundeck area to ensure proper liner fit.
- 4) This Modular Step Unit can be made with 6" Radius Corners by installing the optional 6"R foam corner insert (GLAUC4442NT). One required per feature that must be cut to size. **ALWAYS SPECIFY CORNERS WHEN ORDERING THE POOL AND LINER.**

# 16' x 90° Nexus Side-by-Side w/ 6' Stair & 10' x 8' Sundeck Right 42SS1690-0610-08RB



**NOTES FOR INSTALLER:**  
PERIMETER PANELS WILL REQUIRE DRILLING HOLES TO ATTACH STEP RISERS



**Imperial  
POOLS**

**ALWAYS SPECIFY  
6" OR 90° CORNERS  
WHEN ORDERING THE  
POOL AND LINER.**

**Polymer  
POOL SYSTEM**

THIS STAIR / SUNDECK CONFORMS TO  
CURRENT *APSP/ANSI/ICC-5 2011* &  
*ISPS 2024* STANDARDS FOR  
RESIDENTIAL INGROUND SWIMMING  
POOLS

28



# 42SS1690-0610-08LB

# 16' x 90° Nexus Side-by-Side w/ 6' Stair & 10' x 8' Sundeck Left 42SS1690-0610-08LB

Count	PART#	DESCRIPTION	LETTER
6	NSS136	48" Step Riser	(A)
2	NSS169	24" Step Riser	(C)
3	NSS107	42" Stair Brace Wall Insert	(H)
3	NSS300	48" Sundeck / Bench Riser	(L)
1	NSS303	2"RR Sundeck / Bench Riser	(P)
3	NSS147	Straight Stair Brace - 14.5" Tread	(U)
2	NSS150	Variable Sundeck Brace	(V)
1	NSS304	2 Piece Straight Stair Brace - Top Step	(W)
2	NSS306 (04N296-3)	24" Sundeck / Bench Brace	(Y)

### Included Stair Hardware

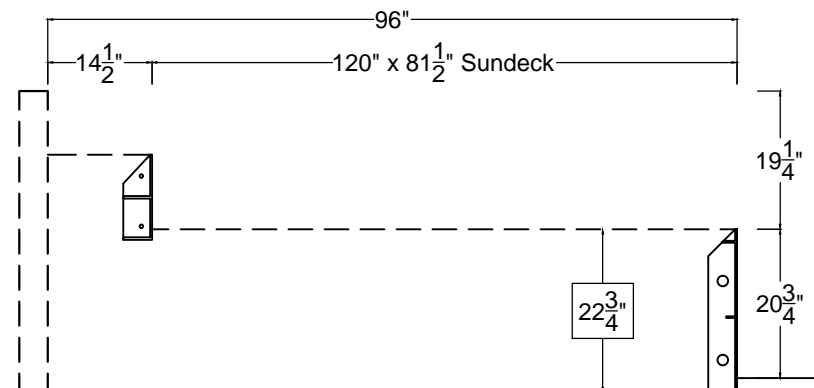
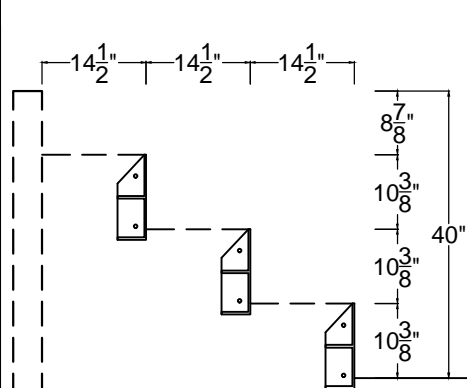
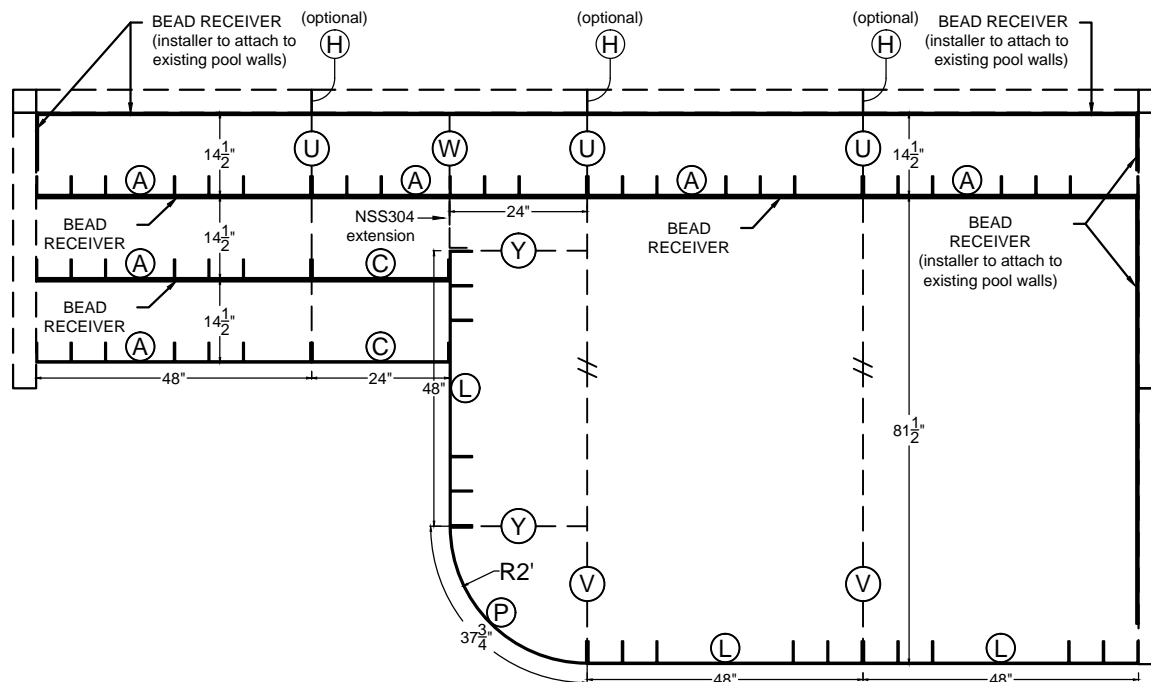
1	149271	3/8" x 18" Rebar - Bundle of 20	---
70	149664	3/8" Washer Head Hex Nut	---
70	149670	3/8" x 1 1/4" Washer Head Hex Bolt	---
40	42999	1 5/8" Clip Screw	---
1	TEK75	Tek Screws - Pack of 75	---
6	NSS1112	Large Nexus Brace Clip	---
6	NSS8BR	8' Bead Receiver	---

### Vinyl Works Liner Special Feature Item Numbers

VW42SS1690-0610-08LB-90

VW42SS1690-0610-08LB-6R

- Steel braces will be attached BETWEEN sections on step treads. End flanges on adjoining step risers will create a pocket to insert the steel brace.
- Steel braces NSS304 & NSS305 bolted together will create the standard NSS147 brace for full end step units.
- Installer must specify the measurement of the sundeck area to ensure proper liner fit.
- This Modular Step Unit can be made with 6" Radius Corners by installing the optional 6"R foam corner insert (GLAUC4442NT). One required per feature that must be cut to size. **ALWAYS SPECIFY CORNERS WHEN ORDERING THE POOL AND LINER.**



**NOTES FOR INSTALLER:**  
PERIMETER PANELS WILL REQUIRE DRILLING HOLES TO ATTACH STEP RISERS



# Imperial POOLS

**ALWAYS SPECIFY 6" OR 90° CORNERS WHEN ORDERING THE POOL AND LINER.**

# Polymer POOL SYSTEM

THIS STAIR / SUNDECK CONFORMS TO CURRENT *APSP/ANSI/ICC-5 2011* & *ISPS 2024* STANDARDS FOR RESIDENTIAL INGROUND SWIMMING POOLS

29

# 42SS1690-0610-06RB

Count	PART#	DESCRIPTION	LETTER
6	NSS136	48" Step Riser	(A)
2	NSS169	24" Step Riser	(C)
3	NSS107	42" Stair Brace Wall Insert	(H)
2	NSS300	48" Sundeck / Bench Riser	(L)
1	NSS302	24" Sundeck / Bench Riser	(M)
1	NSS303	2'RR Sundeck / Bench Riser	(P)
3	NSS147	Straight Stair Brace - 14.5" Tread	(U)
2	NSS150	Variable Sundeck Brace	(V)
1	NSS304	2 Piece Straight Stair Brace - Top Step	(W)
2	NSS306 (04N296-3)	24" Sundeck / Bench Brace	(Y)

### Included Stair Hardware

1	149271	3/8" x 18" Rebar - Bundle of 20	---
70	149664	3/8" Washer Head Hex Nut	---
70	149670	3/8" x 1 1/4" Washer Head Hex Bolt	---
40	42999	1 5/8" Clip Screw	---
1	TEK75	Tek Screws - Pack of 75	---
6	NSS1112	Large Nexus Brace Clip	---
6	NSS8BR	8' Bead Receiver	---

### Vinyl Works Liner Special Feature Item Numbers

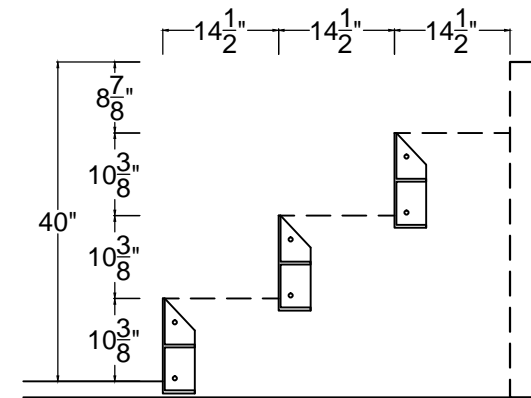
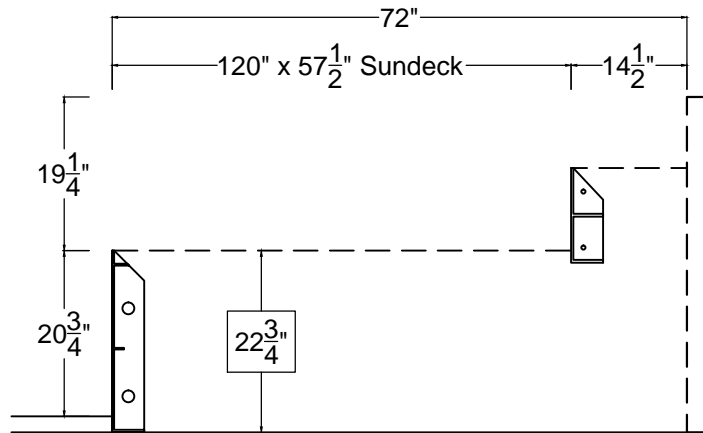
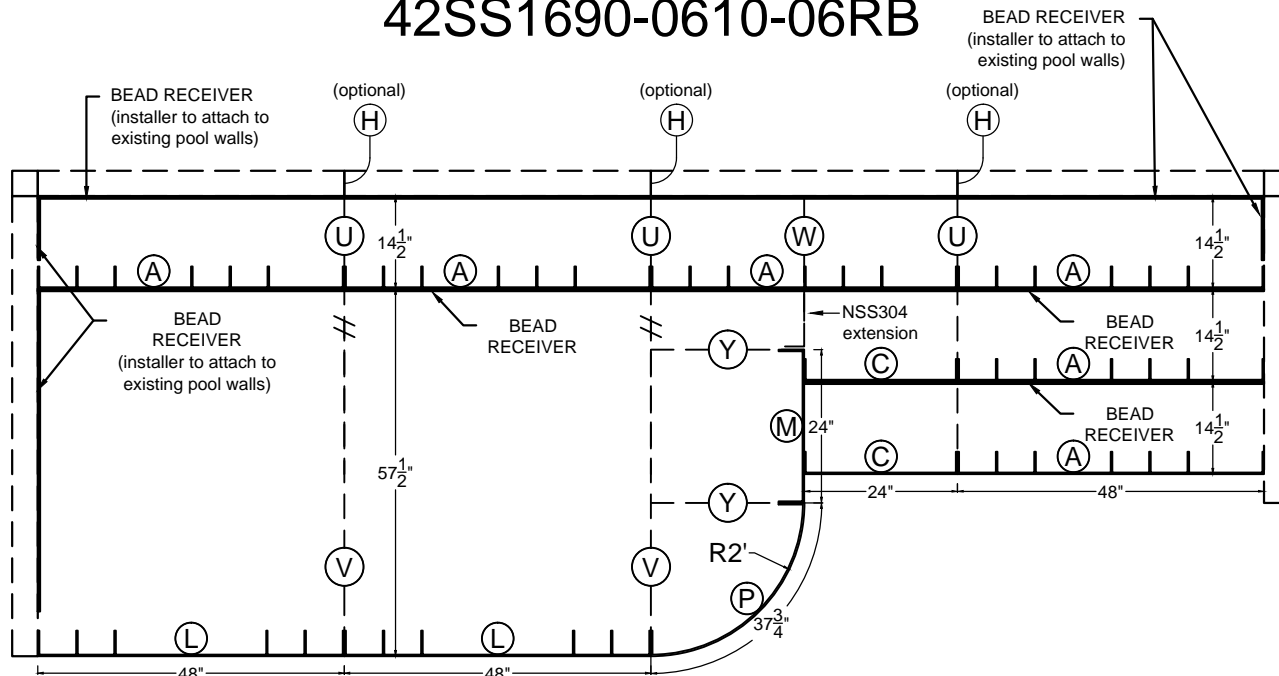
VW42SS1690-0610-06RB-90

VW42SS1690-0610-06RB-6R

- 1) Steel braces will be attached BETWEEN sections on step treads. End flanges on adjoining step risers will create a pocket to insert the steel brace.
- 2) Steel braces NSS304 & NSS305 bolted together will create the standard NSS147 brace for full end step units.
- 3) Installer must specify the measurement of the sundeck area to ensure proper liner fit.
- 4) This Modular Step Unit can be made with 6" Radius Corners by installing the optional 6"R foam corner insert (GLAUC4442NT). One required per feature that must be cut to size. **ALWAYS SPECIFY CORNERS WHEN ORDERING THE POOL AND LINER.**

# 16' x 90° Nexus Side-by-Side w/ 6' Stair & 10' x 6' Sundeck Right

## 42SS1690-0610-06RB



**NOTES FOR INSTALLER:**  
PERIMETER PANELS WILL REQUIRE DRILLING HOLES TO ATTACH STEP RISERS



# Imperial POOLS

**ALWAYS SPECIFY 6\"/>**

# Polymer POOL SYSTEM

THIS STAIR / SUNDECK CONFORMS TO CURRENT *APSP/ANSI/ICC-5 2011* & *ISPS 2024* STANDARDS FOR RESIDENTIAL INGROUND SWIMMING POOLS

30

# 42SS1690-0610-06LB

Count	PART#	DESCRIPTION	LETTER
6	NSS136	48" Step Riser	(A)
2	NSS169	24" Step Riser	(C)
3	NSS107	42" Stair Brace Wall Insert	(H)
2	NSS300	48" Sundeck / Bench Riser	(L)
1	NSS302	24" Sundeck / Bench Riser	(M)
1	NSS303	2'RR Sundeck / Bench Riser	(P)
3	NSS147	Straight Stair Brace - 14.5" Tread	(U)
2	NSS150	Variable Sundeck Brace	(V)
1	NSS304	2 Piece Straight Stair Brace - Top Step	(W)
2	NSS306 (04N296-3)	24" Sundeck / Bench Brace	(Y)

### Included Stair Hardware

1	149271	3/8" x 18" Rebar - Bundle of 20	---
70	149664	3/8" Washer Head Hex Nut	---
70	149670	3/8" x 1 1/4" Washer Head Hex Bolt	---
40	42999	1 5/8" Clip Screw	---
1	TEK75	Tek Screws - Pack of 75	---
6	NSS1112	Large Nexus Brace Clip	---
6	NSS8BR	8' Bead Receiver	---

### Vinyl Works Liner Special Feature Item Numbers

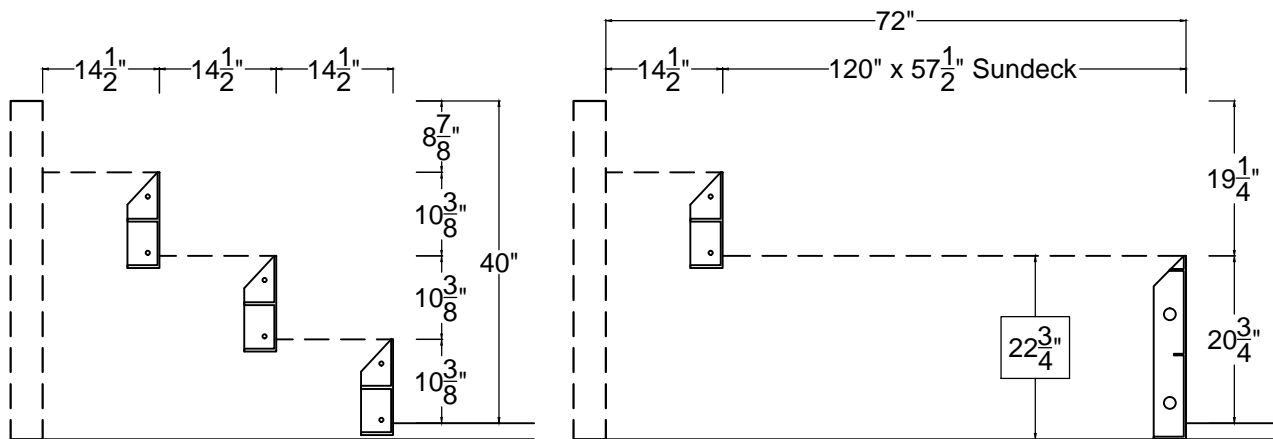
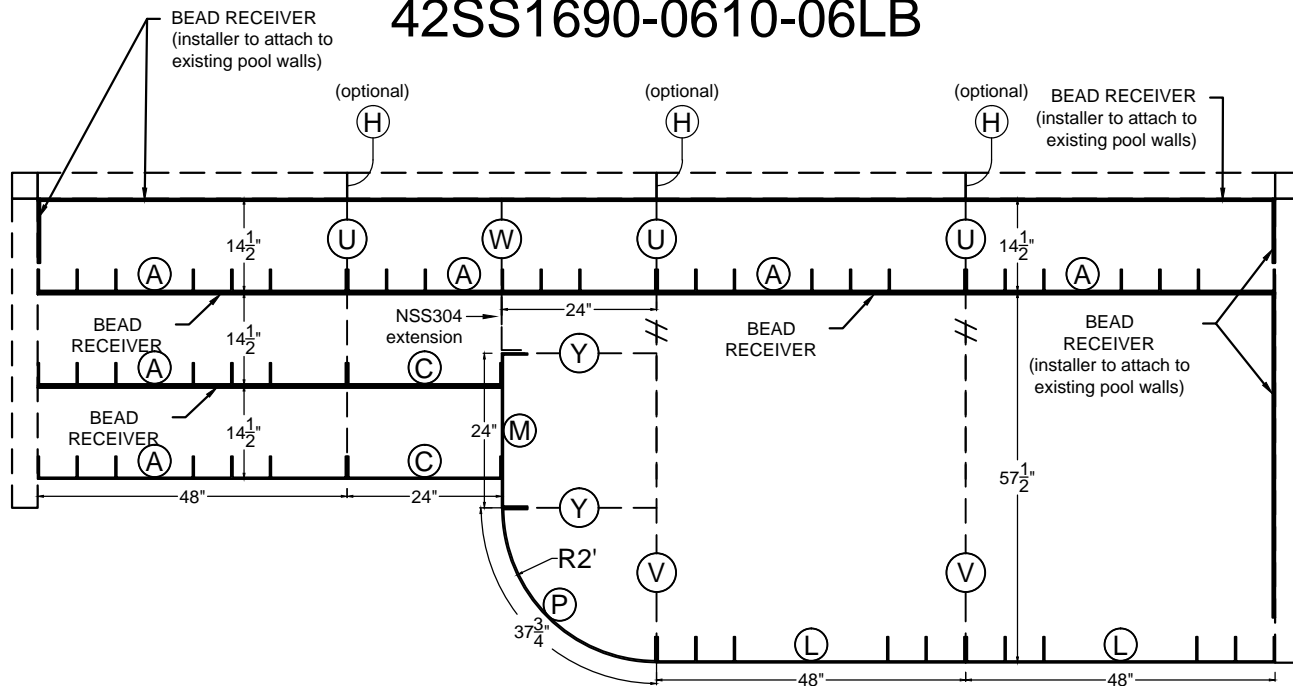
**VW42SS1690-0610-06LB-90**

**VW42SS1690-0610-06LB-6R**

- 1) Steel braces will be attached BETWEEN sections on step treads. End flanges on adjoining step risers will create a pocket to insert the steel brace.
- 2) Steel braces NSS304 & NSS305 bolted together will create the standard NSS147 brace for full end step units.
- 3) Installer must specify the measurement of the sundeck area to ensure proper liner fit.
- 4) This Modular Step Unit can be made with 6" Radius Corners by installing the optional 6"R foam corner insert (GLAUC4442NT). One required per feature that must be cut to size. **ALWAYS SPECIFY CORNERS WHEN ORDERING THE POOL AND LINER.**

## 16' x 90° Nexus Side-by-Side w/ 6' Stair & 10' x 6' Sundeck Left

# 42SS1690-0610-06LB



**NOTES FOR INSTALLER:**  
PERIMETER PANELS WILL REQUIRE DRILLING HOLES TO ATTACH STEP RISERS



# Imperial POOLS

**ALWAYS SPECIFY 6" OR 90° CORNERS WHEN ORDERING THE POOL AND LINER.**

# Polymer POOL SYSTEM

THIS STAIR / SUNDECK CONFORMS TO CURRENT *APSP/ANSI/ICC-5 2011* & *ISPSA 2024* STANDARDS FOR RESIDENTIAL INGROUND SWIMMING POOLS

31

# 42SS1890-0612-06LB

Count	PART#	DESCRIPTION	LETTER
6	NSS136	48" Step Riser	(A)
3	NSS169	24" Step Riser	(C)
4	NSS107	42" Stair Brace Wall Insert	(H)
2	NSS300	48" Sundeck / Bench Riser	(L)
2	NSS302	24" Sundeck / Bench Riser	(M)
1	NSS303	2"RR Sundeck / Bench Riser	(P)
4	NSS147	Straight Stair Brace - 14.5" Tread	(U)
3	NSS150	Variable Sundeck Brace	(V)
1	NSS304	2 Piece Straight Stair Brace - Top Step	(W)
2	NSS306 (04N296-3)	24" Sundeck / Bench Brace	(Y)

### Included Stair Hardware

1	149271	3/8" x 18" Rebar - Bundle of 20	---
70	149664	3/8" Washer Head Hex Nut	---
70	149670	3/8" x 1 1/4" Washer Head Hex Bolt	---
40	42999	1 5/8" Clip Screw	---
1	TEK75	Tek Screws - Pack of 75	---
6	NSS1112	Large Nexus Brace Clip	---
7	NSS8BR	8' Bead Receiver	---

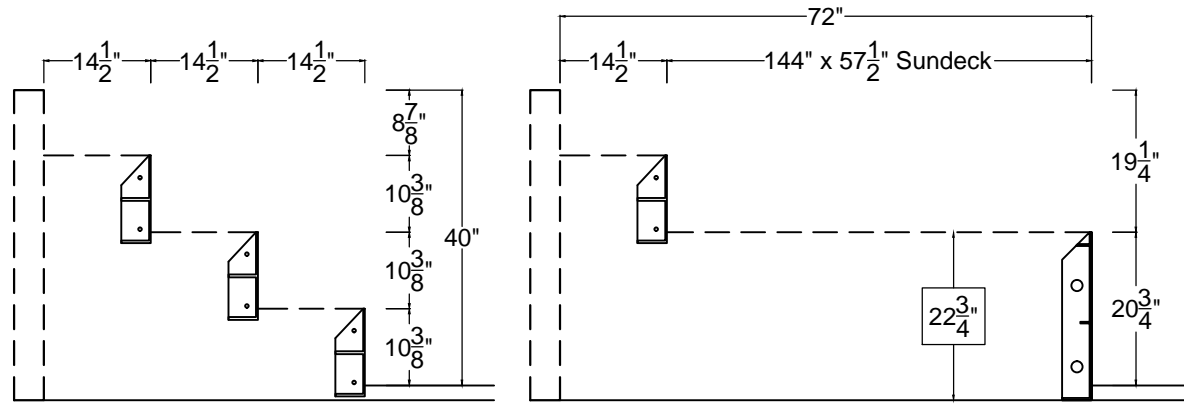
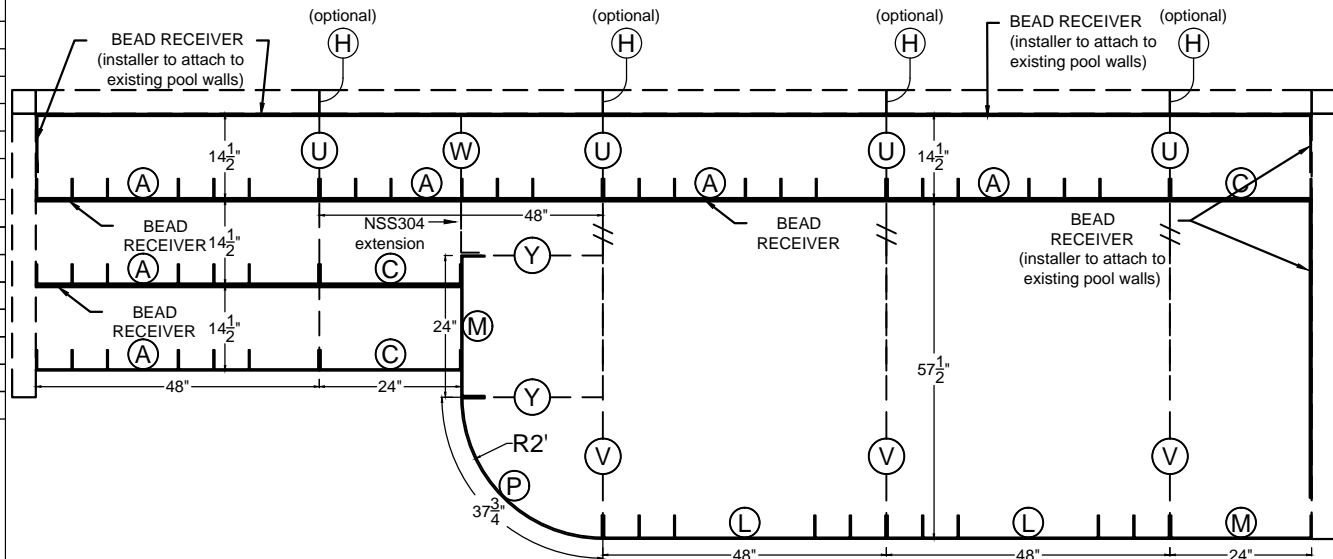
### Vinyl Works Liner Special Feature Item Numbers

VW42SS1890-0612-06LB-90

VW42SS1890-0612-06LB-6R

- Steel braces will be attached BETWEEN sections on step treads. End flanges on adjoining step risers will create a pocket to insert the steel brace.
- Steel braces NSS304 & NSS305 bolted together will create the standard NSS147 brace for full end step units.
- Installer must specify the measurement of the sundeck area to ensure proper liner fit.
- This Modular Step Unit can be made with 6" Radius Corners by installing the optional 6"R foam corner insert (GLAUC4442NT). One required per feature that must be cut to size. **ALWAYS SPECIFY CORNERS WHEN ORDERING THE POOL AND LINER.**

## 18' x 90° Nexus Side-by-Side w/ 6' Stair & 12' x 6' Sundeck Left 42SS1890-0612-06LB



**NOTES FOR INSTALLER:**  
PERIMETER PANELS WILL REQUIRE DRILLING HOLES TO ATTACH STEP RISERS



**Imperial  
POOLS**

**ALWAYS SPECIFY  
6" OR 90° CORNERS  
WHEN ORDERING THE  
POOL AND LINER.**

**Polymer  
POOL SYSTEM**

THIS STAIR / SUNDECK CONFORMS TO  
CURRENT *APSP/ANSI/ICC-5 2011* &  
*ISPS 2024* STANDARDS FOR  
RESIDENTIAL INGROUND SWIMMING  
POOLS

32

# 42SS1890-0612-06RB

Count	PART#	DESCRIPTION	LETTER
6	NSS136	48" Step Riser	(A)
3	NSS169	24" Step Riser	(C)
4	NSS107	42" Stair Brace Wall Insert	(H)
2	NSS300	48" Sundeck / Bench Riser	(L)
2	NSS302	24" Sundeck / Bench Riser	(M)
1	NSS303	2'RR Sundeck / Bench Riser	(P)
4	NSS147	Straight Stair Brace - 14.5" Tread	(U)
3	NSS150	Variable Sundeck Brace	(V)
1	NSS304	2 Piece Straight Stair Brace - Top Step	(W)
2	NSS306 (04N296-3)	24" Sundeck / Bench Brace	(Y)

### Included Stair Hardware

1	149271	3/8" x 18" Rebar - Bundle of 20	---
70	149664	3/8" Washer Head Hex Nut	---
70	149670	3/8" x 1 1/4" Washer Head Hex Bolt	---
40	42999	1 5/8" Clip Screw	---
1	TEK75	Tek Screws - Pack of 75	---
6	NSS1112	Large Nexus Brace Clip	---
7	NSS8BR	8' Bead Receiver	---

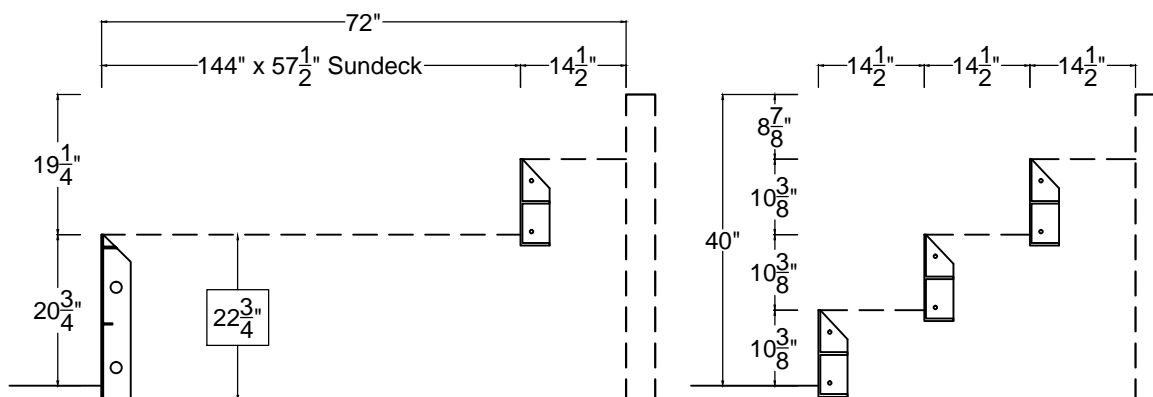
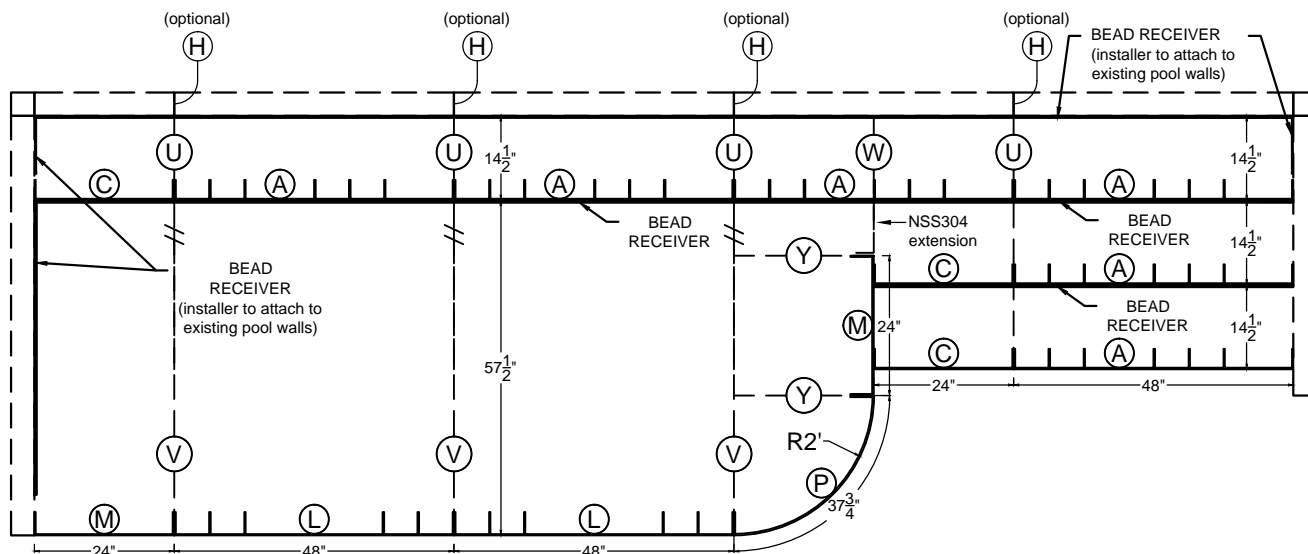
### Vinyl Works Liner Special Feature Item Numbers

VW42SS1890-0612-06RB-90

VW42SS1890-0612-06RB-6R

- 1) Steel braces will be attached BETWEEN sections on step treads. End flanges on adjoining step risers will create a pocket to insert the steel brace.
- 2) Steel braces NSS304 & NSS305 bolted together will create the standard NSS147 brace for full end step units.
- 3) Installer must specify the measurement of the sundeck area to ensure proper liner fit.
- 4) This Modular Step Unit can be made with 6" Radius Corners by installing the optional 6"R foam corner insert (GLAUC4442NT). One required per feature that must be cut to size. **ALWAYS SPECIFY CORNERS WHEN ORDERING THE POOL AND LINER.**

## 18' x 90° Nexus Side-by-Side w/ 6' Stair & 12' x 6' Sundeck Right 42SS1890-0612-06RB



**NOTES FOR INSTALLER:**  
PERIMETER PANELS WILL REQUIRE DRILLING HOLES TO ATTACH STEP RISERS



# Imperial POOLS

**ALWAYS SPECIFY 6" OR 90° CORNERS WHEN ORDERING THE POOL AND LINER.**

# Polymer POOL SYSTEM

THIS STAIR / SUNDECK CONFORMS TO CURRENT *APSP/ANSI/ICC-5 2011* & *ISPSA 2024* STANDARDS FOR RESIDENTIAL INGROUND SWIMMING POOLS

33

# 42SS1890-0612-08LB

# 18' x 90° Nexus Side-by-Side w/ 6' Stair & 12' x 8' Sundeck Left 42SS1890-0612-08LB

Count	PART#	DESCRIPTION	LETTER
6	NSS136	48" Step Riser	(A)
3	NSS169	24" Step Riser	(C)
4	NSS107	42" Stair Brace Wall Insert	(H)
3	NSS300	48" Sundeck / Bench Riser	(L)
1	NSS302	24" Sundeck / Bench Riser	(M)
1	NSS303	2'RR Sundeck / Bench Riser	(P)
4	NSS147	Straight Stair Brace - 14.5" Tread	(U)
3	NSS150	Variable Sundeck Brace	(V)
1	NSS304	2 Piece Straight Stair Brace - Top Step	(W)
2	NSS306 (04N296-3)	24" Sundeck / Bench Brace	(Y)

### Included Stair Hardware

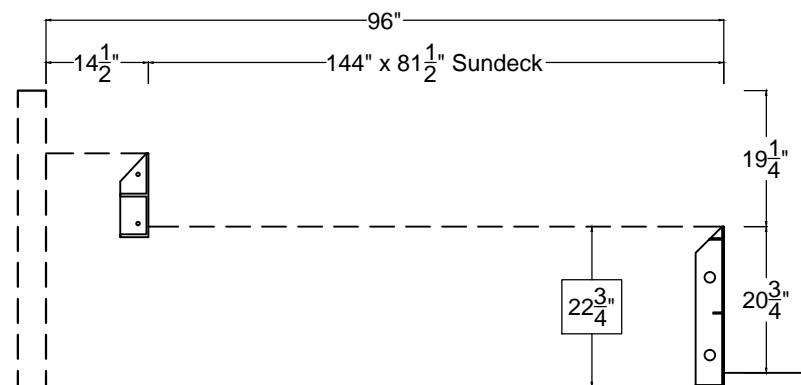
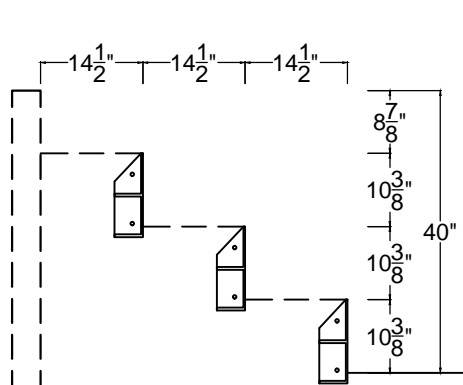
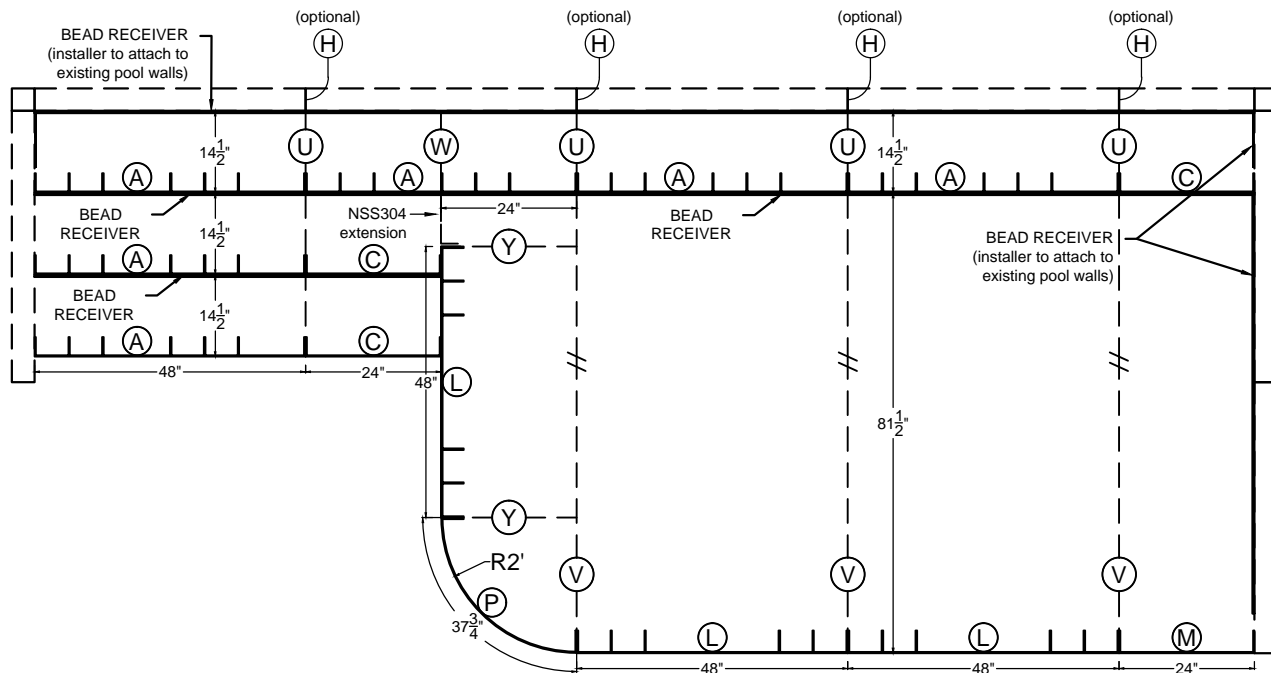
1	149271	3/8" x 18" Rebar - Bundle of 20	---
70	149664	3/8" Washer Head Hex Nut	---
70	149670	3/8" x 1 1/4" Washer Head Hex Bolt	---
40	42999	1 5/8" Clip Screw	---
1	TEK75	Tek Screws - Pack of 75	---
6	NSS1112	Large Nexus Brace Clip	---
7	NSS8BR	8' Bead Receiver	---

### Vinyl Works Liner Special Feature Item Numbers

VW42SS1890-0612-08LB-90

VW42SS1890-0612-08LB-6R

- Steel braces will be attached BETWEEN sections on step treads. End flanges on adjoining step risers will create a pocket to insert the steel brace.
- Steel braces NSS304 & NSS305 bolted together will create the standard NSS147 brace for full end step units.
- Installer must specify the measurement of the sundeck area to ensure proper liner fit.
- This Modular Step Unit can be made with 6" Radius Corners by installing the optional 6"R foam corner insert (GLAUC4442NT). One required per feature that must be cut to size. **ALWAYS SPECIFY CORNERS WHEN ORDERING THE POOL AND LINER.**



**NOTES FOR INSTALLER:**  
PERIMETER PANELS WILL REQUIRE DRILLING HOLES TO ATTACH STEP RISERS



# Imperial POOLS

**ALWAYS SPECIFY 6" OR 90° CORNERS WHEN ORDERING THE POOL AND LINER.**

# Polymer POOL SYSTEM

THIS STAIR / SUNDECK CONFORMS TO CURRENT *APSP/ANSI/ICC-5 2011* & *ISPS 2024* STANDARDS FOR RESIDENTIAL INGROUND SWIMMING POOLS

34

# 42SS1890-0612-08RB

# 18' x 90° Nexus Side-by-Side w/ 6' Stair & 12' x 8' Sundeck Right 42SS1890-0612-08RB

Count	PART#	DESCRIPTION	LETTER
6	NSS136	48" Step Riser	(A)
3	NSS169	24" Step Riser	(C)
4	NSS107	42" Stair Brace Wall Insert	(H)
3	NSS300	48" Sundeck / Bench Riser	(L)
1	NSS302	24" Sundeck / Bench Riser	(M)
1	NSS303	2'RR Sundeck / Bench Riser	(P)
4	NSS147	Straight Stair Brace - 14.5" Tread	(U)
3	NSS150	Variable Sundeck Brace	(V)
1	NSS304	2 Piece Straight Stair Brace - Top Step	(W)
2	NSS306 (04N296-3)	24" Sundeck / Bench Brace	(Y)

### Included Stair Hardware

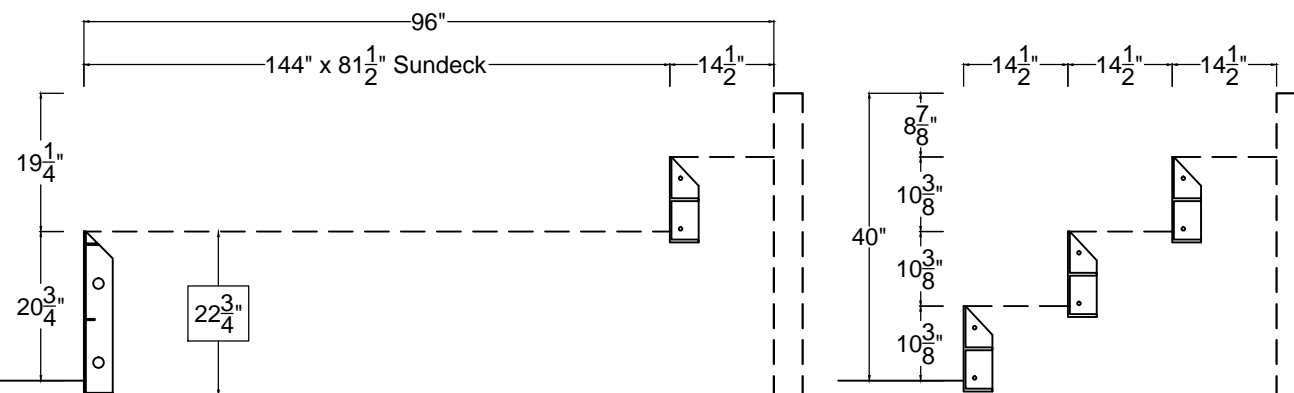
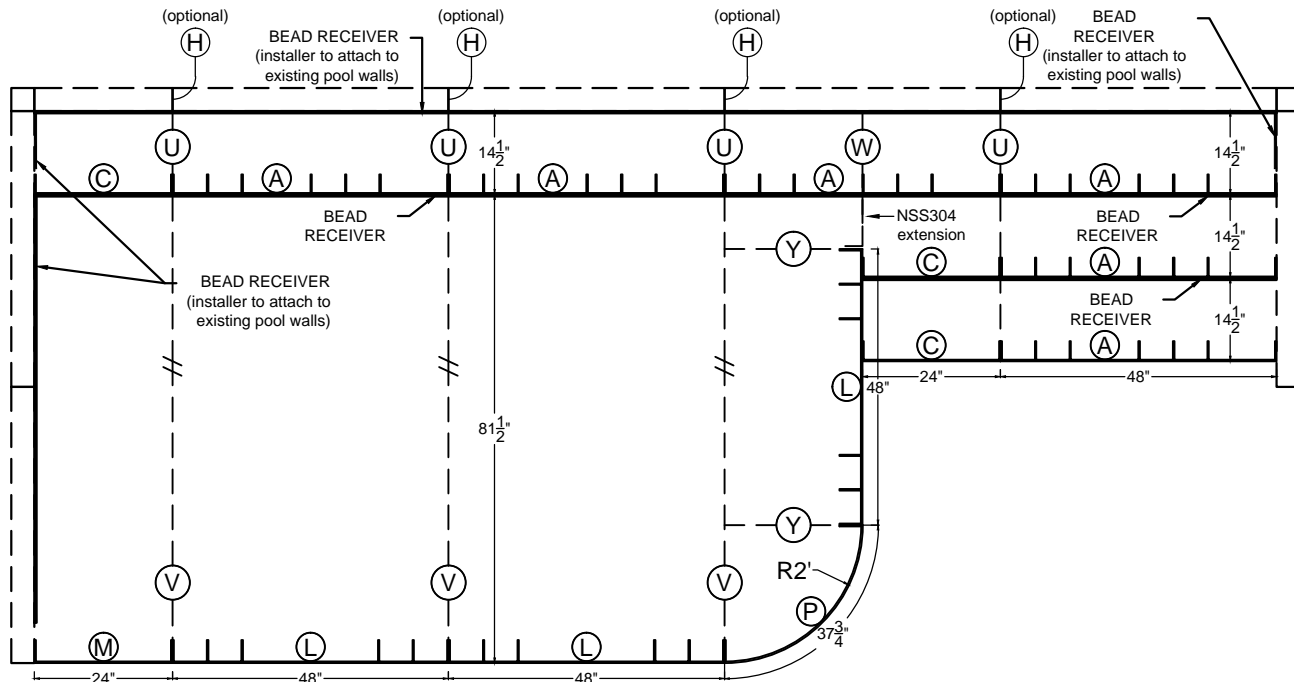
1	149271	3/8" x 18" Rebar - Bundle of 20	---
70	149664	3/8" Washer Head Hex Nut	---
70	149670	3/8" x 1 1/4" Washer Head Hex Bolt	---
40	42999	1 5/8" Clip Screw	---
1	TEK75	Tek Screws - Pack of 75	---
6	NSS1112	Large Nexus Brace Clip	---
7	NSS8BR	8' Bead Receiver	---

### Vinyl Works Liner Special Feature Item Numbers

VW42SS1890-0612-08RB-90

VW42SS1890-0612-08RB-6R

- Steel braces will be attached BETWEEN sections on step treads. End flanges on adjoining step risers will create a pocket to insert the steel brace.
- Steel braces NSS304 & NSS305 bolted together will create the standard NSS147 brace for full end step units.
- Installer must specify the measurement of the sundeck area to ensure proper liner fit.
- This Modular Step Unit can be made with 6" Radius Corners by installing the optional 6"R foam corner insert (GLAUC4442NT). One required per feature that must be cut to size. **ALWAYS SPECIFY CORNERS WHEN ORDERING THE POOL AND LINER.**



**NOTES FOR INSTALLER:**  
PERIMETER PANELS WILL REQUIRE DRILLING HOLES TO ATTACH STEP RISERS



**ALWAYS SPECIFY 6" OR 90° CORNERS WHEN ORDERING THE POOL AND LINER.**

**Polymer**  
POOL SYSTEM

THIS STAIR / SUNDECK CONFORMS TO CURRENT *APSP/ANSI/ICC-5 2011* & *ISPS 2024* STANDARDS FOR RESIDENTIAL INGROUND SWIMMING POOLS

35

# 42SS1890-0810-06LB

Count	PART#	DESCRIPTION	LETTER
8	NSS136	48" Step Riser	(A)
1	NSS169	24" Step Riser	(C)
4	NSS107	42" Stair Brace Wall Insert	(H)
2	NSS300	48" Sundeck / Bench Riser	(L)
1	NSS302	24" Sundeck / Bench Riser	(M)
1	NSS303	2"RR Sundeck / Bench Riser	(P)
3	NSS147	Straight Stair Brace - 14.5" Tread	(U)
2	NSS150	Variable Sundeck Brace	(V)
1	NSS304	2 Piece Straight Stair Brace - Top Step	(W)
2	NSS306 (04N296-3)	24" Sundeck / Bench Brace	(Y)

### Included Stair Hardware

1	149271	3/8" x 18" Rebar - Bundle of 20	---
70	149664	3/8" Washer Head Hex Nut	---
70	149670	3/8" x 1 1/4" Washer Head Hex Bolt	---
40	42999	1 5/8" Clip Screw	---
1	TEK75	Tek Screws - Pack of 75	---
6	NSS1112	Large Nexus Brace Clip	---
7	NSS8BR	8' Bead Receiver	---

### Vinyl Works Liner Special Feature Item Numbers

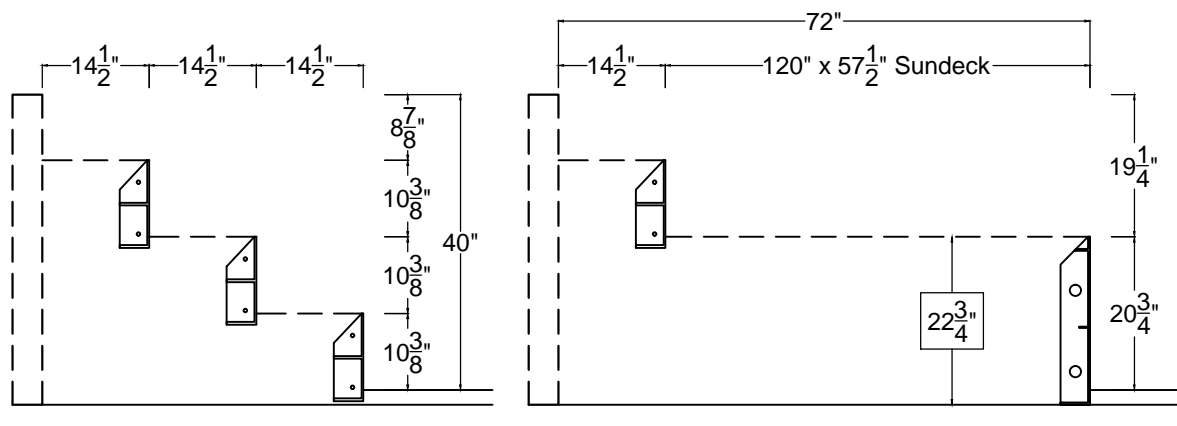
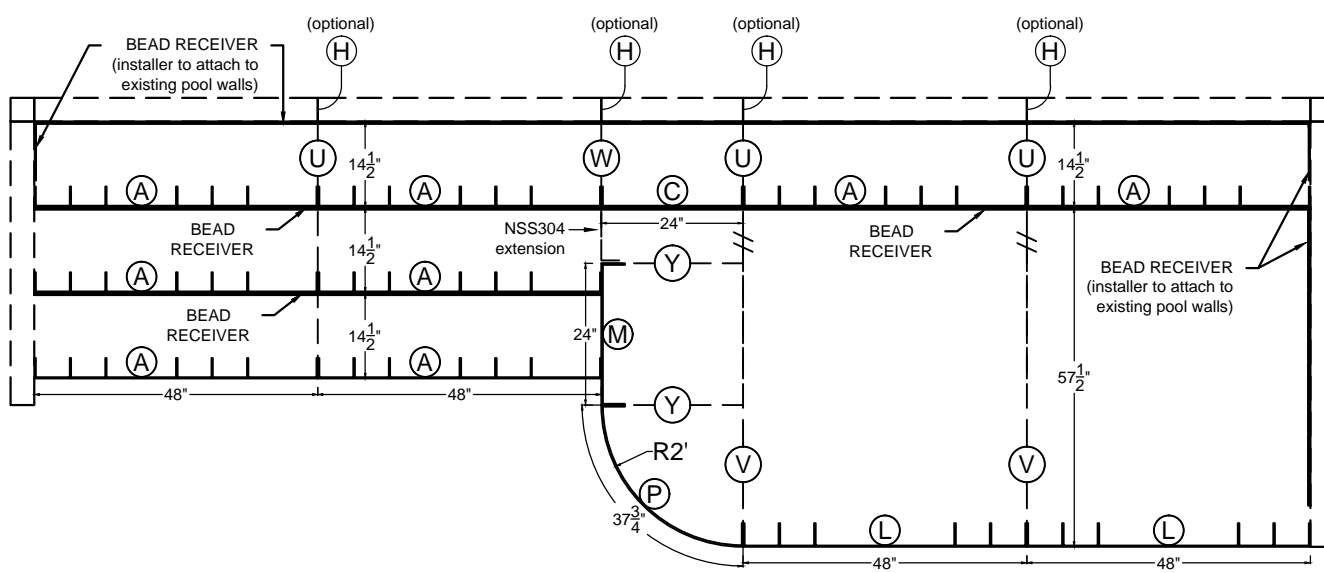
VW42SS1890-0810-06LB-90

VW42SS1890-0810-06LB-6R

- 1) Steel braces will be attached BETWEEN sections on step treads. End flanges on adjoining step risers will create a pocket to insert the steel brace.
- 2) Steel braces NSS304 & NSS305 bolted together will create the standard NSS147 brace for full end step units.
- 3) Installer must specify the measurement of the sundeck area to ensure proper liner fit.
- 4) This Modular Step Unit can be made with 6" Radius Corners by installing the optional 6"R foam corner insert (GLAUC4442NT). One required per feature that must be cut to size. **ALWAYS SPECIFY CORNERS WHEN ORDERING THE POOL AND LINER.**

## 18' x 90° Nexus Side-by-Side w/ 8' Stair & 10' x 6' Sundeck Left

### 42SS1890-0810-06LB



**NOTES FOR INSTALLER:**  
PERIMETER PANELS WILL REQUIRE DRILLING HOLES TO ATTACH STEP RISERS



**ALWAYS SPECIFY 6" OR 90° CORNERS WHEN ORDERING THE POOL AND LINER.**

**Polymer**  
POOL SYSTEM

THIS STAIR / SUNDECK CONFORMS TO CURRENT *APSP/ANSI/ICC-5 2011* & *ISPSA 2024* STANDARDS FOR RESIDENTIAL INGROUND SWIMMING POOLS



# 42SS1890-0810-06RB

Count	PART#	DESCRIPTION	LETTER
8	NSS136	48" Step Riser	(A)
1	NSS169	24" Step Riser	(C)
4	NSS107	42" Stair Brace Wall Insert	(H)
2	NSS300	48" Sundeck / Bench Riser	(L)
1	NSS302	24" Sundeck / Bench Riser	(M)
1	NSS303	2'RR Sundeck / Bench Riser	(P)
3	NSS147	Straight Stair Brace - 14.5" Tread	(U)
2	NSS150	Variable Sundeck Brace	(V)
1	NSS304	2 Piece Straight Stair Brace - Top Step	(W)
2	NSS306 (04N296-3)	24" Sundeck / Bench Brace	(Y)

### Included Stair Hardware

1	149271	3/8" x 18" Rebar - Bundle of 20	---
70	149664	3/8" Washer Head Hex Nut	---
70	149670	3/8" x 1 1/4" Washer Head Hex Bolt	---
40	42999	1 5/8" Clip Screw	---
1	TEK75	Tek Screws - Pack of 75	---
6	NSS1112	Large Nexus Brace Clip	---
7	NSS8BR	8' Bead Receiver	---

### Vinyl Works Liner Special Feature Item Numbers

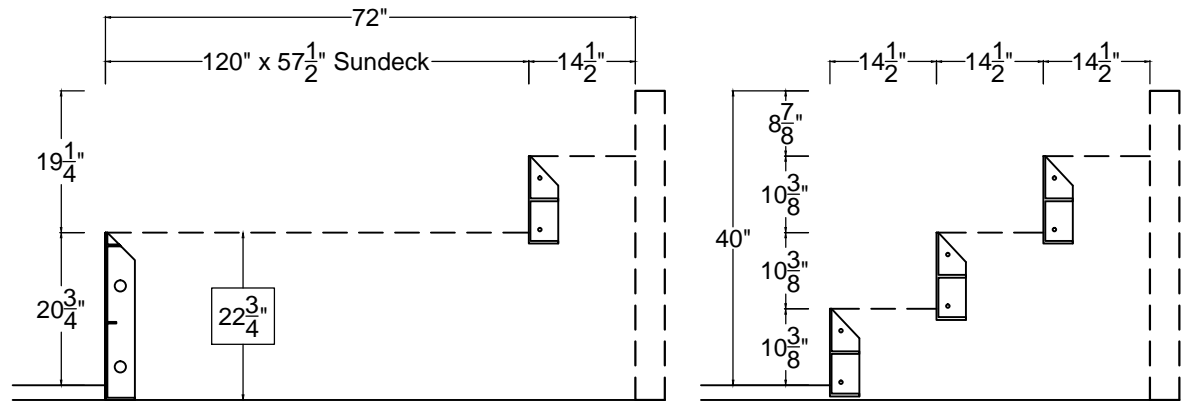
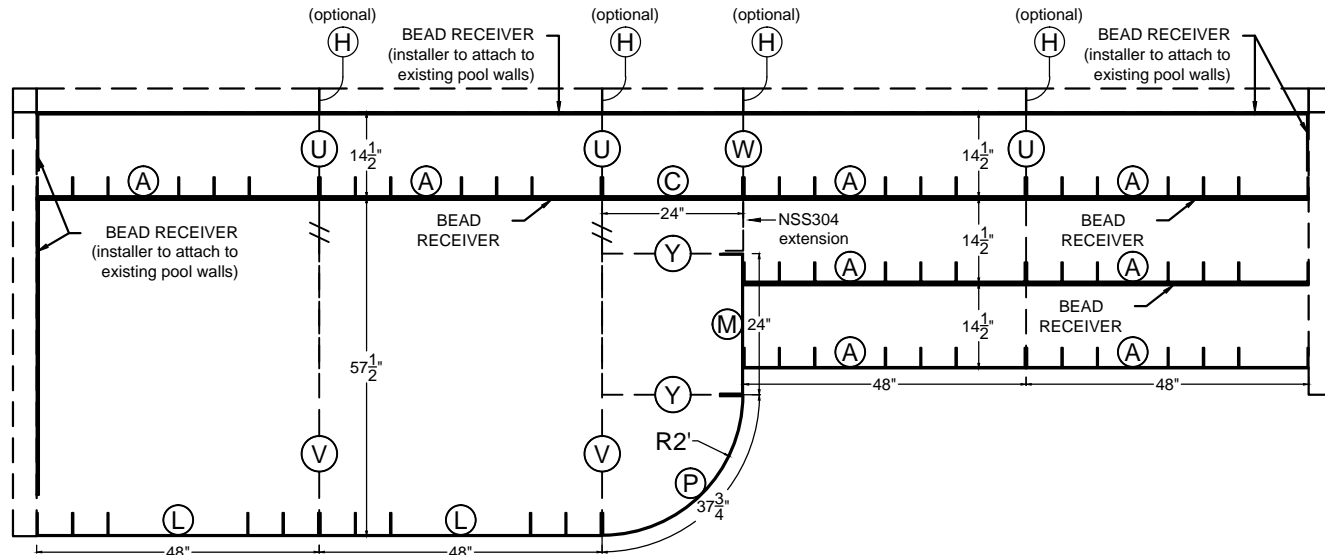
VW42SS1890-0810-06RB-90

VW42SS1890-0810-06RB-6R

- 1) Steel braces will be attached BETWEEN sections on step treads. End flanges on adjoining step risers will create a pocket to insert the steel brace.
- 2) Steel braces NSS304 & NSS305 bolted together will create the standard NSS147 brace for full end step units.
- 3) Installer must specify the measurement of the sundeck area to ensure proper liner fit.
- 4) This Modular Step Unit can be made with 6" Radius Corners by installing the optional 6"R foam corner insert (GLAUC4442NT). One required per feature that must be cut to size. **ALWAYS SPECIFY CORNERS WHEN ORDERING THE POOL AND LINER.**

## 18' x 90° Nexus Side-by-Side w/ 8' Stair & 10' x 6' Sundeck Right

### 42SS1890-0810-06RB



**NOTES FOR INSTALLER:**  
PERIMETER PANELS WILL REQUIRE DRILLING HOLES TO ATTACH STEP RISERS



# Imperial POOLS

**ALWAYS SPECIFY 6" OR 90° CORNERS WHEN ORDERING THE POOL AND LINER.**

# Polymer POOL SYSTEM

THIS STAIR / SUNDECK CONFORMS TO CURRENT *APSP/ANSI/ICC-5 2011* & *ISPS 2024* STANDARDS FOR RESIDENTIAL INGROUND SWIMMING POOLS

37

# 42SS1890-0810-08LB

# 18' x 90° Nexus Side-by-Side w/ 8' Stair & 10' x 8' Sundeck Left 42SS1890-0810-08LB

Count	PART#	DESCRIPTION	LETTER
8	NSS136	48" Step Riser	(A)
1	NSS169	24" Step Riser	(C)
4	NSS107	42" Stair Brace Wall Insert	(H)
3	NSS300	48" Sundeck / Bench Riser	(L)
1	NSS303	2'RR Sundeck / Bench Riser	(P)
3	NSS147	Straight Stair Brace - 14.5" Tread	(U)
2	NSS150	Variable Sundeck Brace	(V)
1	NSS304	2 Piece Straight Stair Brace - Top Step	(W)
2	NSS306 (04N296-3)	24" Sundeck / Bench Brace	(Y)

### Included Stair Hardware

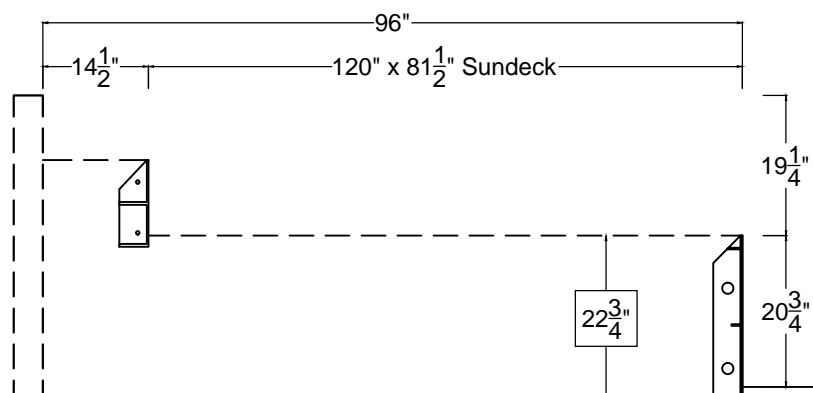
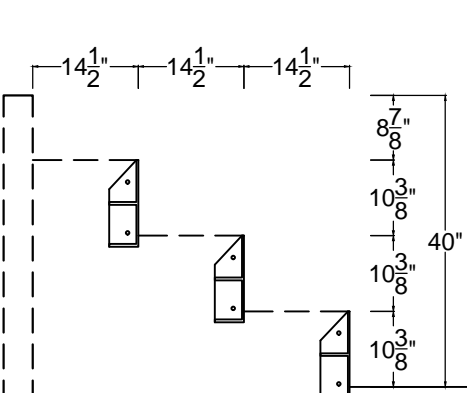
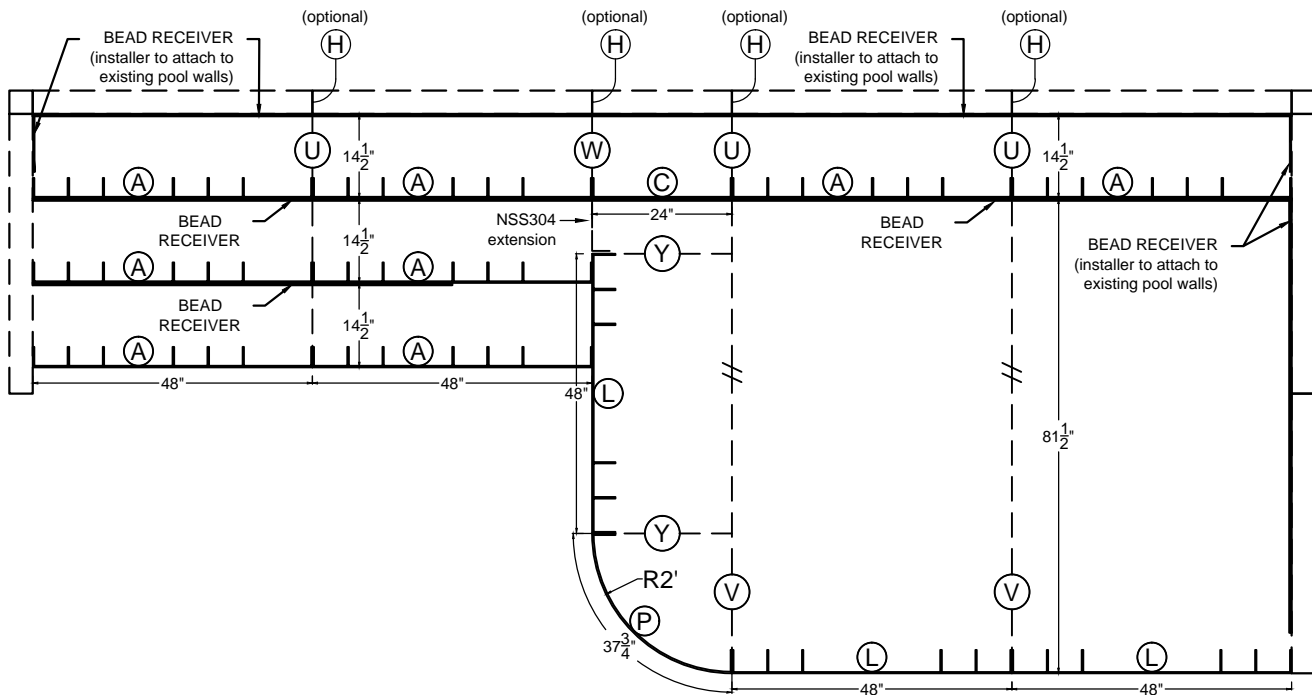
1	149271	3/8" x 18" Rebar - Bundle of 20	---
70	149664	3/8" Washer Head Hex Nut	---
70	149670	3/8" x 1 1/4" Washer Head Hex Bolt	---
40	42999	1 5/8" Clip Screw	---
1	TEK75	Tek Screws - Pack of 75	---
6	NSS1112	Large Nexus Brace Clip	---
7	NSS8BR	8' Bead Receiver	---

### Vinyl Works Liner Special Feature Item Numbers

VW42SS1890-0810-08LB-90

VW42SS1890-0810-08LB-6R

- Steel braces will be attached BETWEEN sections on step treads. End flanges on adjoining step risers will create a pocket to insert the steel brace.
- Steel braces NSS304 & NSS305 bolted together will create the standard NSS147 brace for full end step units.
- Installer must specify the measurement of the sundeck area to ensure proper liner fit.
- This Modular Step Unit can be made with 6" Radius Corners by installing the optional 6"R foam corner insert (GLAUC4442NT). One required per feature that must be cut to size. **ALWAYS SPECIFY CORNERS WHEN ORDERING THE POOL AND LINER.**



**NOTES FOR INSTALLER:**  
PERIMETER PANELS WILL REQUIRE DRILLING HOLES TO ATTACH STEP RISERS



**ALWAYS SPECIFY 6\"/>**

**Polymer**  
POOL SYSTEM

THIS STAIR / SUNDECK CONFORMS TO CURRENT *APSP/ANSI/ICC-5 2011* & *ISPS 2024* STANDARDS FOR RESIDENTIAL INGROUND SWIMMING POOLS

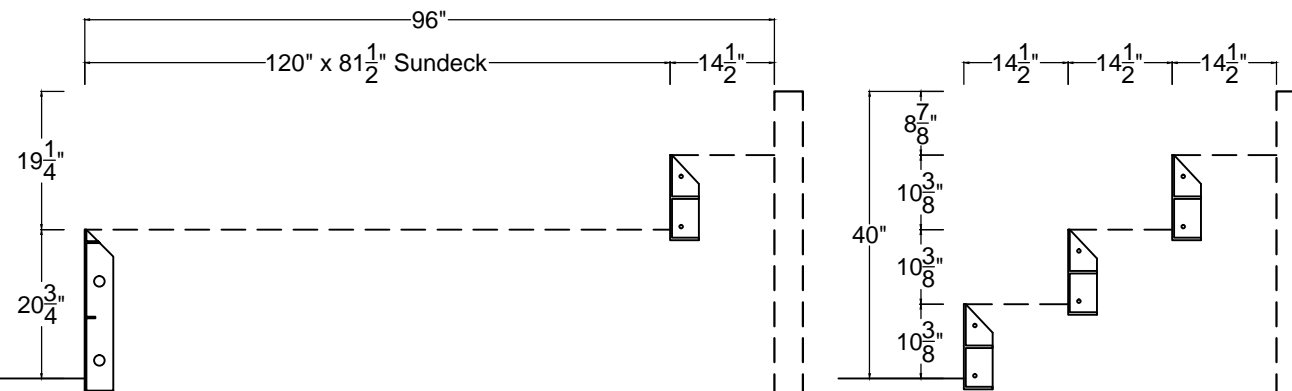
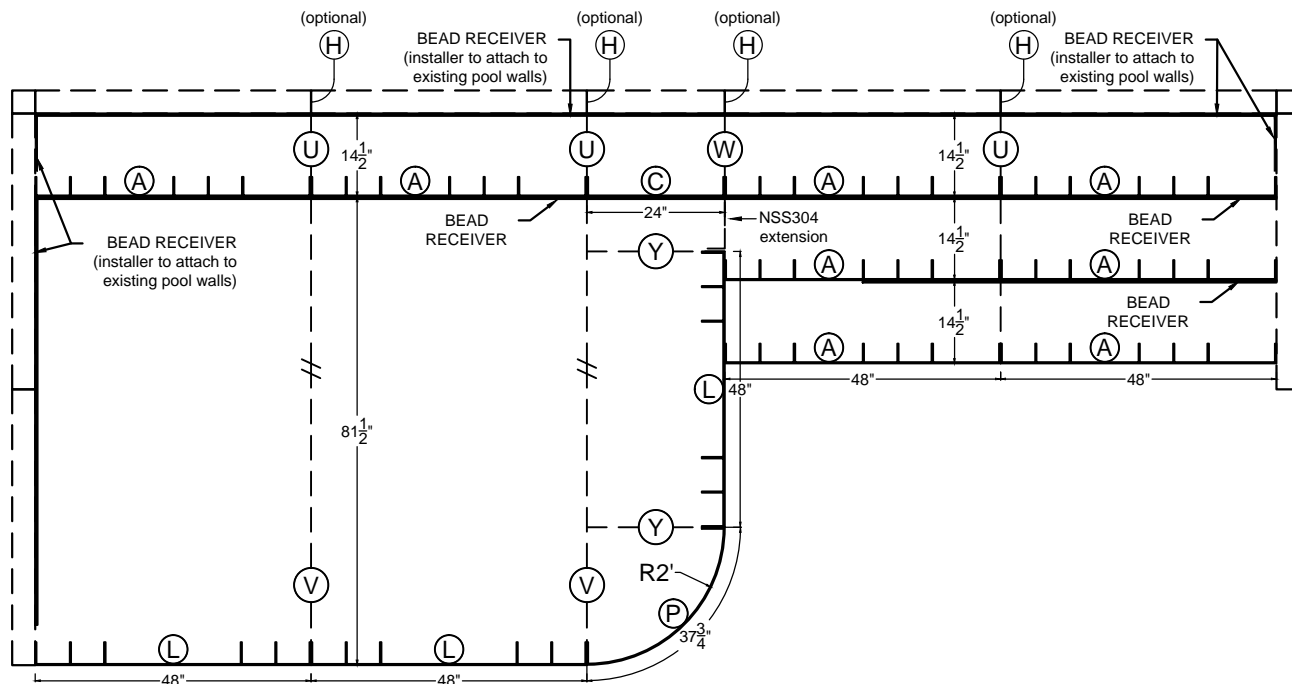
# 42SS1890-0810-08RB

# 18' x 90° Nexus Side-by-Side w/ 8' Stair & 10' x 8' Sundeck Right 42SS1890-0810-08RB

Count	PART#	DESCRIPTION	LETTER
8	NSS136	48" Step Riser	(A)
1	NSS169	24" Step Riser	(C)
4	NSS107	42" Stair Brace Wall Insert	(H)
3	NSS300	48" Sundeck / Bench Riser	(L)
1	NSS303	2'RR Sundeck / Bench Riser	(P)
3	NSS147	Straight Stair Brace - 14.5" Tread	(U)
2	NSS150	Variable Sundeck Brace	(V)
1	NSS304	2 Piece Straight Stair Brace - Top Step	(W)
2	NSS306 (04N296-3)	24" Sundeck / Bench Brace	(Y)

### Included Stair Hardware

1	149271	3/8" x 18" Rebar - Bundle of 20	---
70	149664	3/8" Washer Head Hex Nut	---
70	149670	3/8" x 1 1/4" Washer Head Hex Bolt	---
40	42999	1 5/8" Clip Screw	---
1	TEK75	Tek Screws - Pack of 75	---
6	NSS1112	Large Nexus Brace Clip	---
7	NSS8BR	8' Bead Receiver	---



### Vinyl Works Liner Special Feature Item Numbers

VW42SS1890-0810-08RB-90

VW42SS1890-0810-08RB-6R

- 1) Steel braces will be attached BETWEEN sections on step treads. End flanges on adjoining step risers will create a pocket to insert the steel brace.
- 2) Steel braces NSS304 & NSS305 bolted together will create the standard NSS147 brace for full end step units.
- 3) Installer must specify the measurement of the sundeck area to ensure proper liner fit.
- 4) This Modular Step Unit can be made with 6" Radius Corners by installing the optional 6"R foam corner insert (GLAUC4442NT). One required per feature that must be cut to size. **ALWAYS SPECIFY CORNERS WHEN ORDERING THE POOL AND LINER.**

**NOTES FOR INSTALLER:**  
PERIMETER PANELS WILL REQUIRE DRILLING HOLES TO ATTACH STEP RISERS



# Imperial POOLS

**ALWAYS SPECIFY 6" OR 90° CORNERS WHEN ORDERING THE POOL AND LINER.**

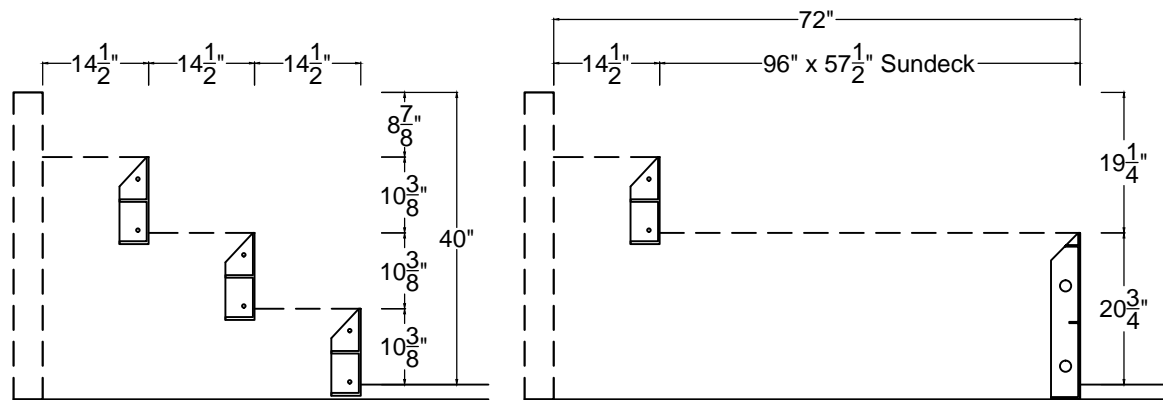
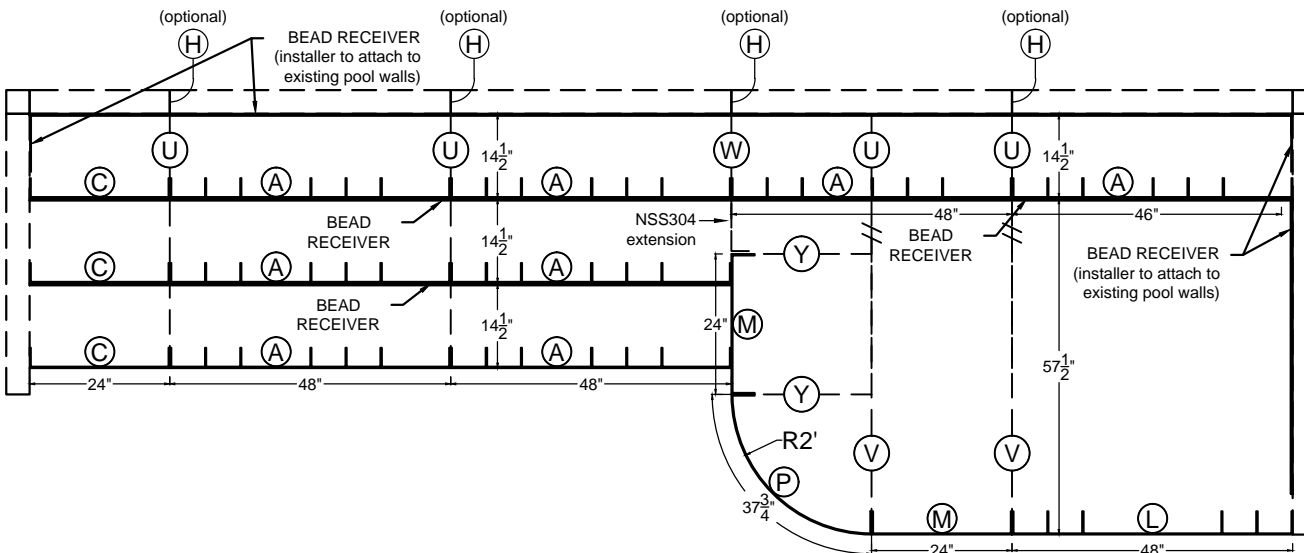
# Polymer POOL SYSTEM

THIS STAIR / SUNDECK CONFORMS TO CURRENT *APSP/ANSI/ICC-5 2011* & *ISPS 2024* STANDARDS FOR RESIDENTIAL INGROUND SWIMMING POOLS

39

# 42SS1890-1008-06LB

## 18' x 90° Nexus Side-by-Side w/ 10' Stair & 8' x 6' Sundeck Left 42SS1890-1008-06LB



Count	PART#	DESCRIPTION	LETTER
8	NSS136	48" Step Riser	(A)
3	NSS169	24" Step Riser	(C)
4	NSS107	42" Stair Brace Wall Insert	(H)
1	NSS300	48" Sundeck / Bench Riser	(L)
2	NSS302	24" Sundeck / Bench Riser	(M)
1	NSS303	2'RR Sundeck / Bench Riser	(P)
4	NSS147	Straight Stair Brace - 14.5" Tread	(U)
2	NSS150	Variable Sundeck Brace	(V)
1	NSS304	2 Piece Straight Stair Brace - Top Step	(W)
2	NSS306 (04N296-3)	24" Sundeck / Bench Brace	(Y)

### Included Stair Hardware

1	149271	3/8" x 18" Rebar - Bundle of 20	---
70	149664	3/8" Washer Head Hex Nut	---
70	149670	3/8" x 1 1/4" Washer Head Hex Bolt	---
40	42999	1 5/8" Clip Screw	---
1	TEK75	Tek Screws - Pack of 75	---
6	NSS1112	Large Nexus Brace Clip	---
7	NSS8BR	8' Bead Receiver	---

### Vinyl Works Liner Special Feature Item Numbers

VW42SS1890-1008-06LB-90  
VW42SS1890-1008-06LB-6R

- 1) Steel braces will be attached BETWEEN sections on step treads. End flanges on adjoining step risers will create a pocket to insert the steel brace.
- 2) Steel braces NSS304 & NSS305 bolted together will create the standard NSS147 brace for full end step units.
- 3) Installer must specify the measurement of the sundeck area to ensure proper liner fit.
- 4) This Modular Step Unit can be made with 6" Radius Corners by installing the optional 6"R foam corner insert (GLAUC4442NT). One required per feature that must be cut to size. **ALWAYS SPECIFY CORNERS WHEN ORDERING THE POOL AND LINER.**

**NOTES FOR INSTALLER:**  
PERIMETER PANELS WILL REQUIRE DRILLING HOLES TO ATTACH STEP RISERS



**ALWAYS SPECIFY 6" OR 90° CORNERS WHEN ORDERING THE POOL AND LINER.**

**Polymer**  
POOL SYSTEM

THIS STAIR / SUNDECK CONFORMS TO CURRENT *APSP/ANSI/ICC-5 2011* & *ISPSA 2024* STANDARDS FOR RESIDENTIAL INGROUND SWIMMING POOLS

40

# 42SS1890-1008-06RB

Count	PART#	DESCRIPTION	LETTER
8	NSS136	48" Step Riser	(A)
3	NSS169	24" Step Riser	(C)
4	NSS107	42" Stair Brace Wall Insert	(H)
1	NSS300	48" Sundeck / Bench Riser	(L)
2	NSS302	24" Sundeck / Bench Riser	(M)
1	NSS303	2'RR Sundeck / Bench Riser	(P)
4	NSS147	Straight Stair Brace - 14.5" Tread	(U)
2	NSS150	Variable Sundeck Brace	(V)
1	NSS304	2 Piece Straight Stair Brace - Top Step	(W)
2	NSS306 (04N296-3)	24" Sundeck / Bench Brace	(Y)

### Included Stair Hardware

1	149271	3/8" x 18" Rebar - Bundle of 20	---
70	149664	3/8" Washer Head Hex Nut	---
70	149670	3/8" x 1 1/4" Washer Head Hex Bolt	---
40	42999	1 5/8" Clip Screw	---
1	TEK75	Tek Screws - Pack of 75	---
6	NSS1112	Large Nexus Brace Clip	---
7	NSS8BR	8' Bead Receiver	---

### Vinyl Works Liner Special Feature Item Numbers

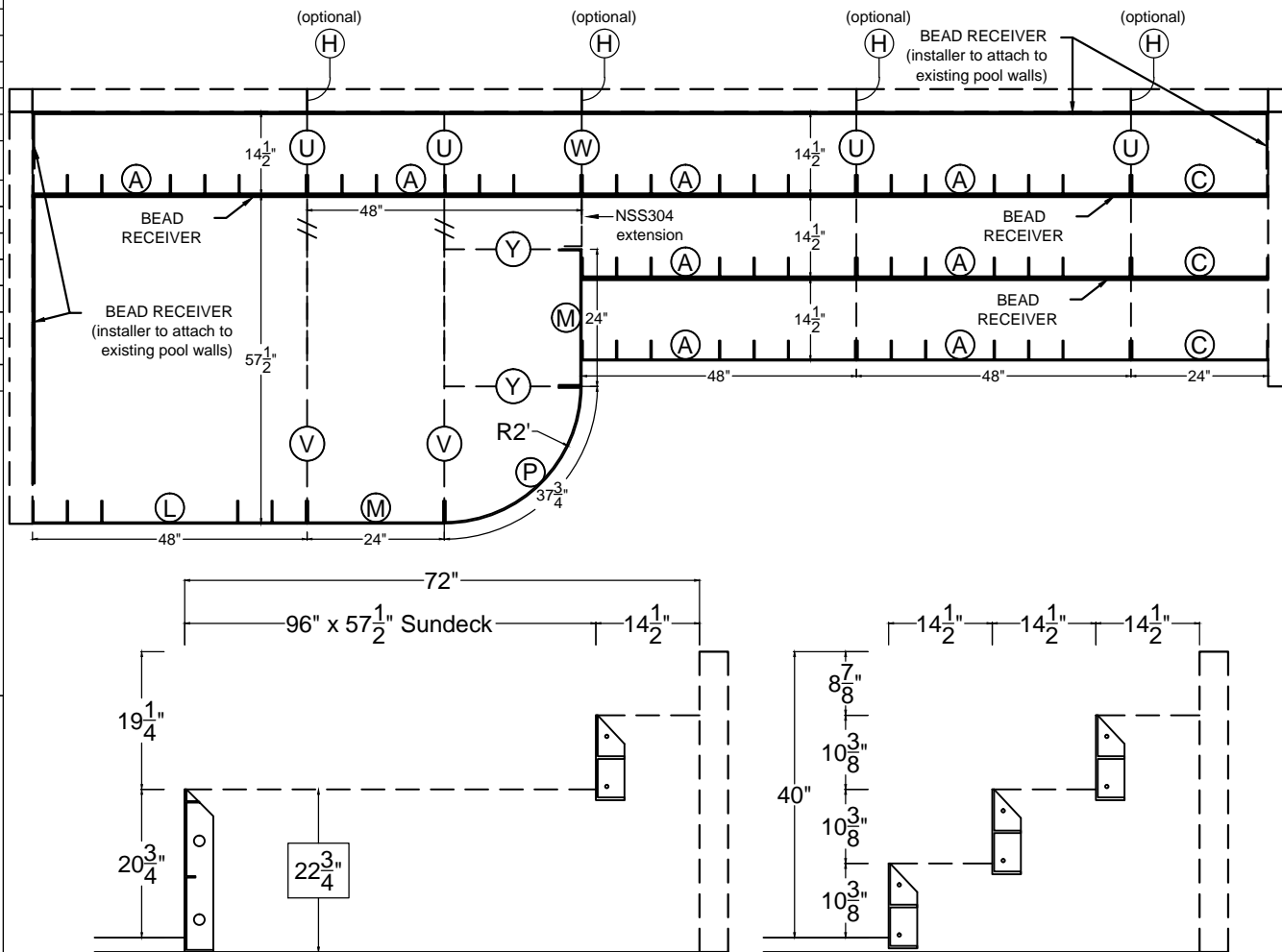
VW42SS1890-1008-06RB-90

VW42SS1890-1008-06RB-6R

- 1) Steel braces will be attached BETWEEN sections on step treads. End flanges on adjoining step risers will create a pocket to insert the steel brace.
- 2) Steel braces NSS304 & NSS305 bolted together will create the standard NSS147 brace for full end step units.
- 3) Installer must specify the measurement of the sundeck area to ensure proper liner fit.
- 4) This Modular Step Unit can be made with 6" Radius Corners by installing the optional 6"R foam corner insert (GLAUC4442NT). One required per feature that must be cut to size. **ALWAYS SPECIFY CORNERS WHEN ORDERING THE POOL AND LINER.**

## 18' x 90° Nexus Side-by-Side w/ 10' Stair & 8' x 6' Sundeck Right

### 42SS1890-1008-06RB



**NOTES FOR INSTALLER:**  
PERIMETER PANELS WILL REQUIRE DRILLING HOLES TO ATTACH STEP RISERS



# Imperial POOLS

**ALWAYS SPECIFY 6" OR 90° CORNERS WHEN ORDERING THE POOL AND LINER.**

# Polymer POOL SYSTEM

THIS STAIR / SUNDECK CONFORMS TO CURRENT *APSP/ANSI/ICC-5 2011* & *ISPS 2024* STANDARDS FOR RESIDENTIAL INGROUND SWIMMING POOLS

41

# 42SS1890-1008-08LB

Count	PART#	DESCRIPTION	LETTER
8	NSS136	48" Step Riser	(A)
3	NSS169	24" Step Riser	(C)
4	NSS107	42" Stair Brace Wall Insert	(H)
2	NSS300	48" Sundeck / Bench Riser	(L)
1	NSS302	24" Sundeck / Bench Riser	(M)
1	NSS303	2'RR Sundeck / Bench Riser	(P)
4	NSS147	Straight Stair Brace - 14.5" Tread	(U)
2	NSS150	Variable Sundeck Brace	(V)
1	NSS304	2 Piece Straight Stair Brace - Top Step	(W)
2	NSS306 (04N296-3)	24" Sundeck / Bench Brace	(Y)

### Included Stair Hardware

1	149271	3/8" x 18" Rebar - Bundle of 20	---
70	149664	3/8" Washer Head Hex Nut	---
70	149670	3/8" x 1 1/4" Washer Head Hex Bolt	---
40	42999	1 5/8" Clip Screw	---
1	TEK75	Tek Screws - Pack of 75	---
6	NSS1112	Large Nexus Brace Clip	---
7	NSS8BR	8' Bead Receiver	---

### Vinyl Works Liner Special Feature Item Numbers

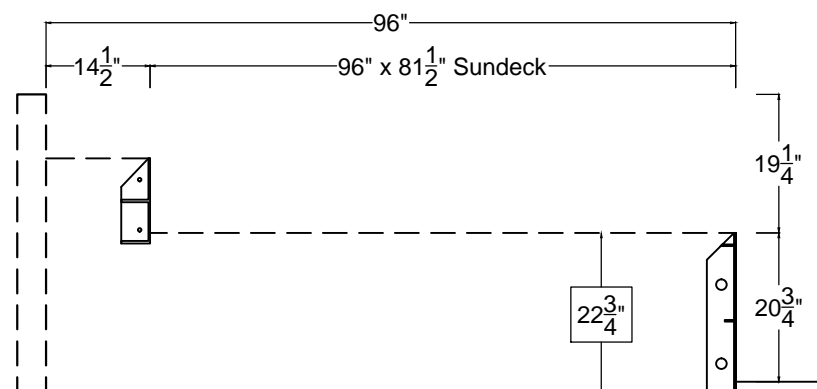
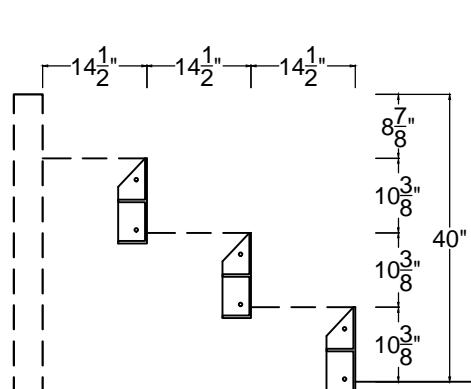
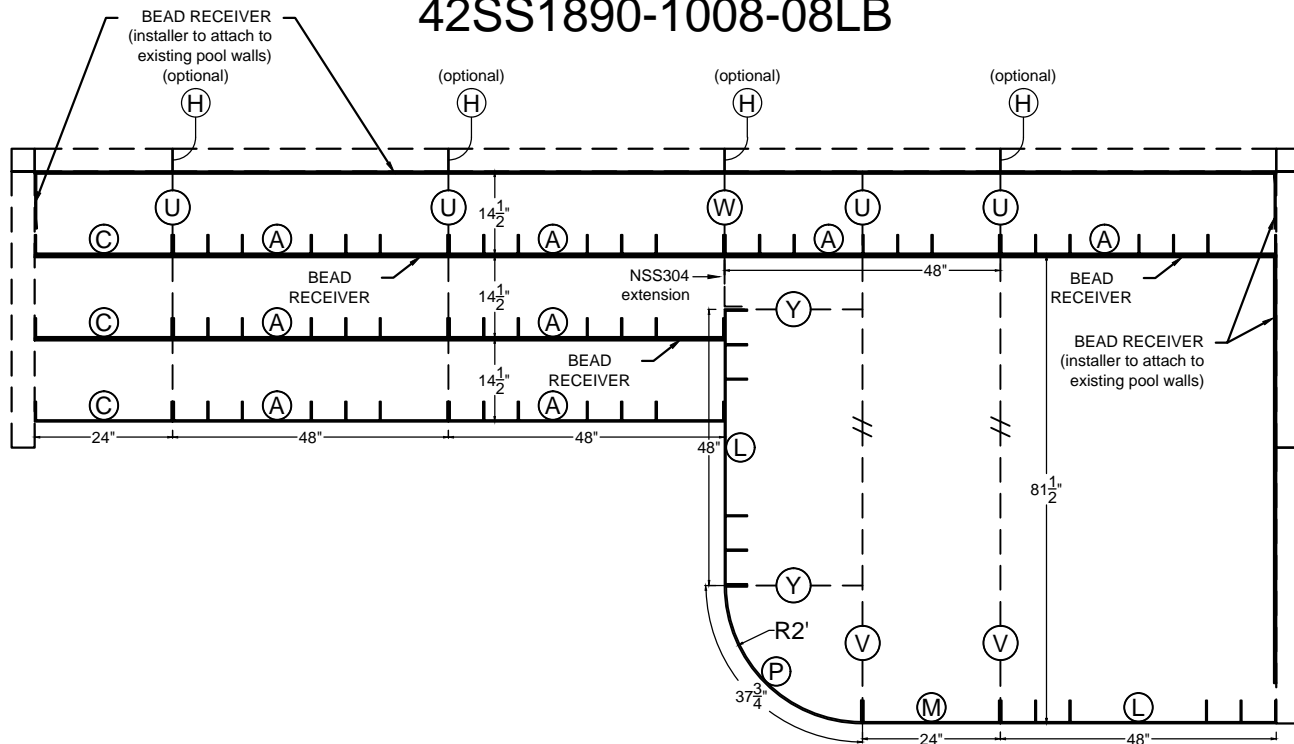
VW42SS1890-1008-08LB-90

VW42SS1890-1008-18LB-6R

- 1) Steel braces will be attached BETWEEN sections on step treads. End flanges on adjoining step risers will create a pocket to insert the steel brace.
- 2) Steel braces NSS304 & NSS305 bolted together will create the standard NSS147 brace for full end step units.
- 3) Installer must specify the measurement of the sundeck area to ensure proper liner fit.
- 4) This Modular Step Unit can be made with 6" Radius Corners by installing the optional 6"R foam corner insert (GLAUC4442NT). One required per feature that must be cut to size. **ALWAYS SPECIFY CORNERS WHEN ORDERING THE POOL AND LINER.**

## 18' x 90° Nexus Side-by-Side w/ 10' Stair & 8' x 8' Sundeck Left

### 42SS1890-1008-08LB



**NOTES FOR INSTALLER:**  
PERIMETER PANELS WILL REQUIRE DRILLING HOLES TO ATTACH STEP RISERS



# Imperial POOLS

**ALWAYS SPECIFY 6" OR 90° CORNERS WHEN ORDERING THE POOL AND LINER.**

# Polymer POOL SYSTEM

THIS STAIR / SUNDECK CONFORMS TO CURRENT *APSP/ANSI/ICC-5 2011* & *ISPS 2024* STANDARDS FOR RESIDENTIAL INGROUND SWIMMING POOLS

42

# 42SS1890-1008-08RB

# 18' x 90° Nexus Side-by-Side w/ 10' Stair & 8' x 8' Sundeck Right 42SS1890-1008-08RB

Count	PART#	DESCRIPTION	LETTER
8	NSS136	48" Step Riser	(A)
3	NSS169	24" Step Riser	(C)
4	NSS107	42" Stair Brace Wall Insert	(H)
2	NSS300	48" Sundeck / Bench Riser	(L)
1	NSS302	24" Sundeck / Bench Riser	(M)
1	NSS303	2'RR Sundeck / Bench Riser	(P)
4	NSS147	Straight Stair Brace - 14.5" Tread	(U)
2	NSS150	Variable Sundeck Brace	(V)
1	NSS304	2 Piece Straight Stair Brace - Top Step	(W)
2	NSS306 (04N296-3)	24" Sundeck / Bench Brace	(Y)

### Included Stair Hardware

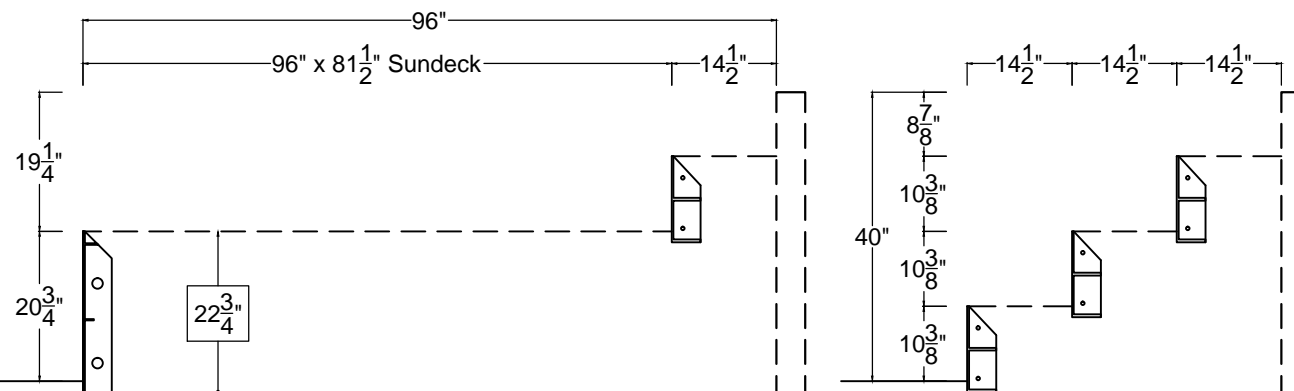
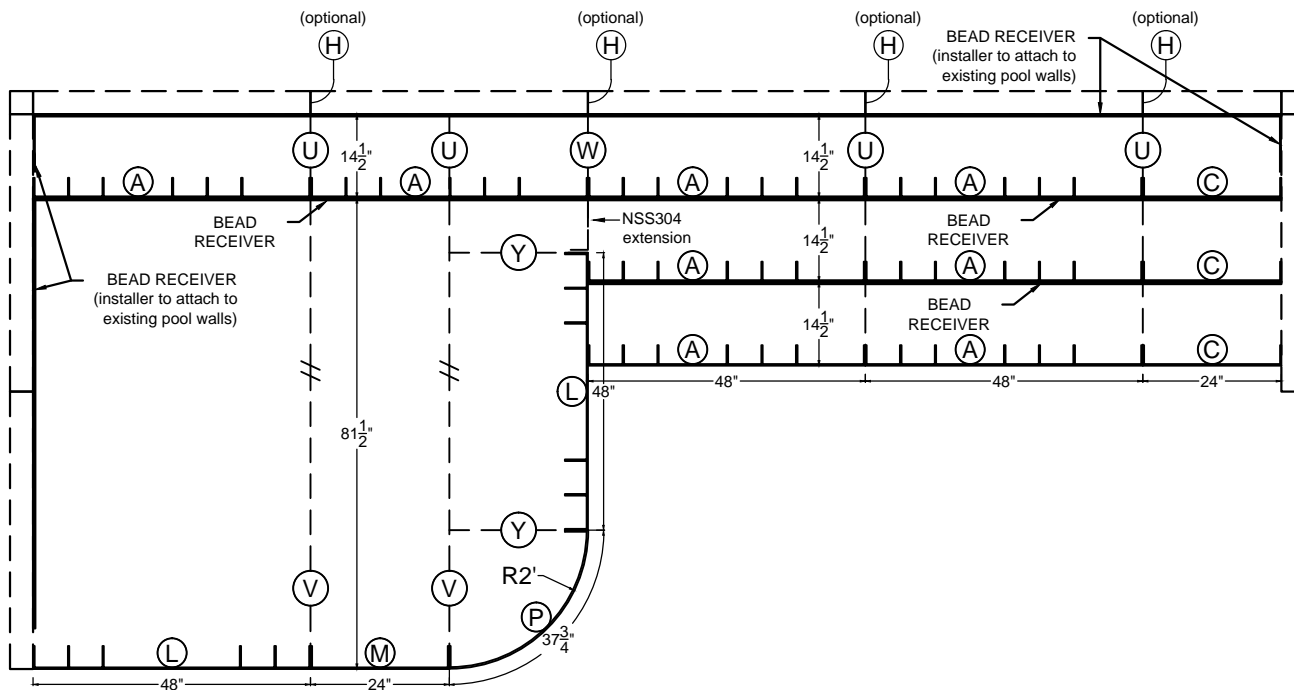
1	149271	3/8" x 18" Rebar - Bundle of 20	---
70	149664	3/8" Washer Head Hex Nut	---
70	149670	3/8" x 1 1/4" Washer Head Hex Bolt	---
40	42999	1 5/8" Clip Screw	---
1	TEK75	Tek Screws - Pack of 75	---
6	NSS1112	Large Nexus Brace Clip	---
7	NSS8BR	8' Bead Receiver	---

### Vinyl Works Liner Special Feature Item Numbers

VW42SS1890-1008-08RB-90

VW42SS1890-1008-08RB-6R

- Steel braces will be attached BETWEEN sections on step treads. End flanges on adjoining step risers will create a pocket to insert the steel brace.
- Steel braces NSS304 & NSS305 bolted together will create the standard NSS147 brace for full end step units.
- Installer must specify the measurement of the sundeck area to ensure proper liner fit.
- This Modular Step Unit can be made with 6" Radius Corners by installing the optional 6"R foam corner insert (GLAUC4442NT). One required per feature that must be cut to size. **ALWAYS SPECIFY CORNERS WHEN ORDERING THE POOL AND LINER.**



**NOTES FOR INSTALLER:**  
PERIMETER PANELS WILL REQUIRE DRILLING HOLES TO ATTACH STEP RISERS



# Imperial POOLS

**ALWAYS SPECIFY 6" OR 90° CORNERS WHEN ORDERING THE POOL AND LINER.**

# Polymer POOL SYSTEM

THIS STAIR / SUNDECK CONFORMS TO CURRENT *APSP/ANSI/ICC-5 2011* & *ISPS 2024* STANDARDS FOR RESIDENTIAL INGROUND SWIMMING POOLS

43

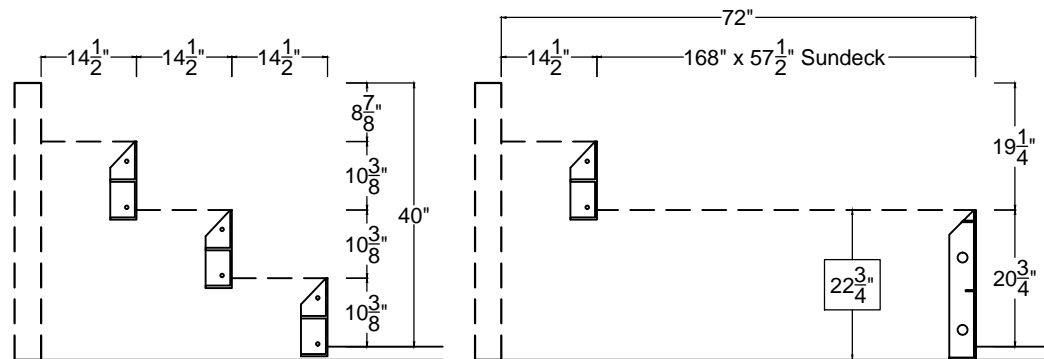
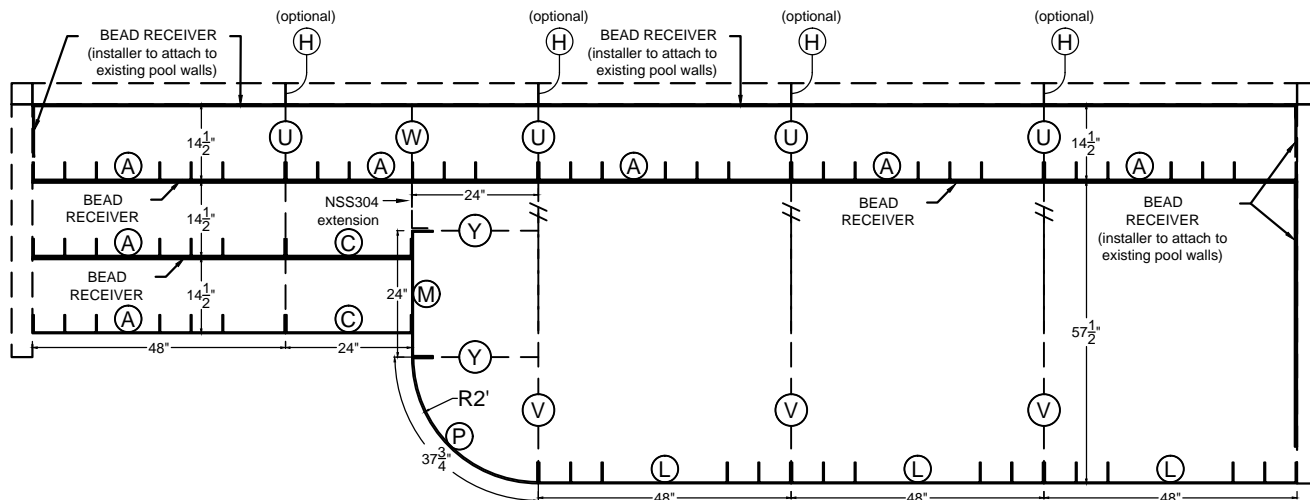
# 42SS2090-0614-06LB

## 20' x 90° Nexus Side-by-Side w/ 6' Stair & 14' x 6' Sundeck Left 42SS2090-0614-06LB

Count	PART#	DESCRIPTION	LETTER
7	NSS136	48" Step Riser	(A)
2	NSS169	24" Step Riser	(C)
4	NSS107	42" Stair Brace Wall Insert	(H)
3	NSS300	48" Sundeck / Bench Riser	(L)
1	NSS302	24" Sundeck / Bench Riser	(M)
1	NSS303	2'RR Sundeck / Bench Riser	(P)
4	NSS147	Straight Stair Brace - 14.5" Tread	(U)
3	NSS150	Variable Sundeck Brace	(V)
1	NSS304	2 Piece Straight Stair Brace - Top Step	(W)
2	NSS306 (04N296-3)	24" Sundeck / Bench Brace	(Y)

### Included Stair Hardware

1	149271	3/8" x 18" Rebar - Bundle of 20	---
70	149664	3/8" Washer Head Hex Nut	---
70	149670	3/8" x 1 1/4" Washer Head Hex Bolt	---
40	42999	1 5/8" Clip Screw	---
1	TEK75	Tek Screws - Pack of 75	---
6	NSS1112	Large Nexus Brace Clip	---
7	NSS8BR	8' Bead Receiver	---



### Vinyl Works Liner Special Feature Item Numbers

- VW42SS2090-0614-06LB-90
- VW42SS2090-0614-06LB-6R

- Steel braces will be attached BETWEEN sections on step treads. End flanges on adjoining step risers will create a pocket to insert the steel brace.
- Steel braces NSS304 & NSS305 bolted together will create the standard NSS147 brace for full end step units.
- Installer must specify the measurement of the sundeck area to ensure proper liner fit.
- This Modular Step Unit can be made with 6" Radius Corners by installing the optional 6"R foam corner insert (GLAUC4442NT). One required per feature that must be cut to size. **ALWAYS SPECIFY CORNERS WHEN ORDERING THE POOL AND LINER.**

**NOTES FOR INSTALLER:**  
PERIMETER PANELS WILL REQUIRE DRILLING HOLES TO ATTACH STEP RISERS



**ALWAYS SPECIFY 6" OR 90° CORNERS WHEN ORDERING THE POOL AND LINER.**

**Polymer POOL SYSTEM**

THIS STAIR / SUNDECK CONFORMS TO CURRENT *APSP/ANSI/ICC-5 2011* & *ISPS 2024* STANDARDS FOR RESIDENTIAL INGROUND SWIMMING POOLS



# 42SS2090-0614-06RB

Count	PART#	DESCRIPTION	LETTER
7	NSS136	48" Step Riser	(A)
2	NSS169	24" Step Riser	(C)
4	NSS107	42" Stair Brace Wall Insert	(H)
3	NSS300	48" Sundeck / Bench Riser	(L)
1	NSS302	24" Sundeck / Bench Riser	(M)
1	NSS303	2'RR Sundeck / Bench Riser	(P)
4	NSS147	Straight Stair Brace - 14.5" Tread	(U)
3	NSS150	Variable Sundeck Brace	(V)
1	NSS304	2 Piece Straight Stair Brace - Top Step	(W)
2	NSS306 (04N296-3)	24" Sundeck / Bench Brace	(Y)

### Included Stair Hardware

1	149271	3/8" x 18" Rebar - Bundle of 20	---
70	149664	3/8" Washer Head Hex Nut	---
70	149670	3/8" x 1 1/4" Washer Head Hex Bolt	---
40	42999	1 5/8" Clip Screw	---
1	TEK75	Tek Screws - Pack of 75	---
6	NSS1112	Large Nexus Brace Clip	---
7	NSS8BR	8' Bead Receiver	---

### Vinyl Works Liner Special Feature Item Numbers

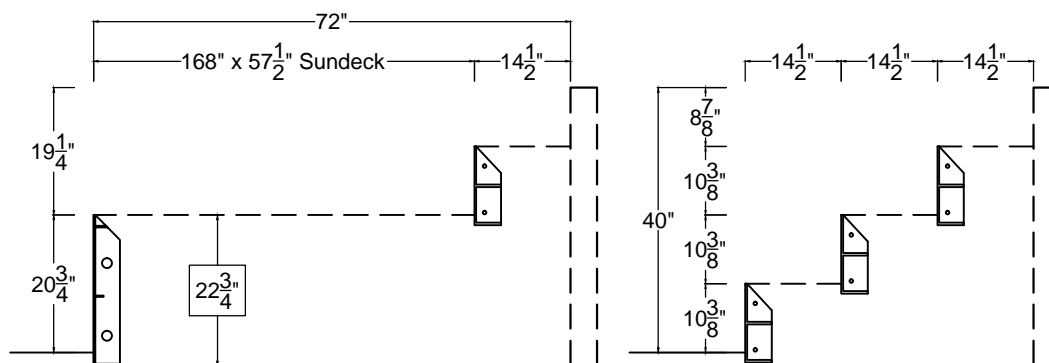
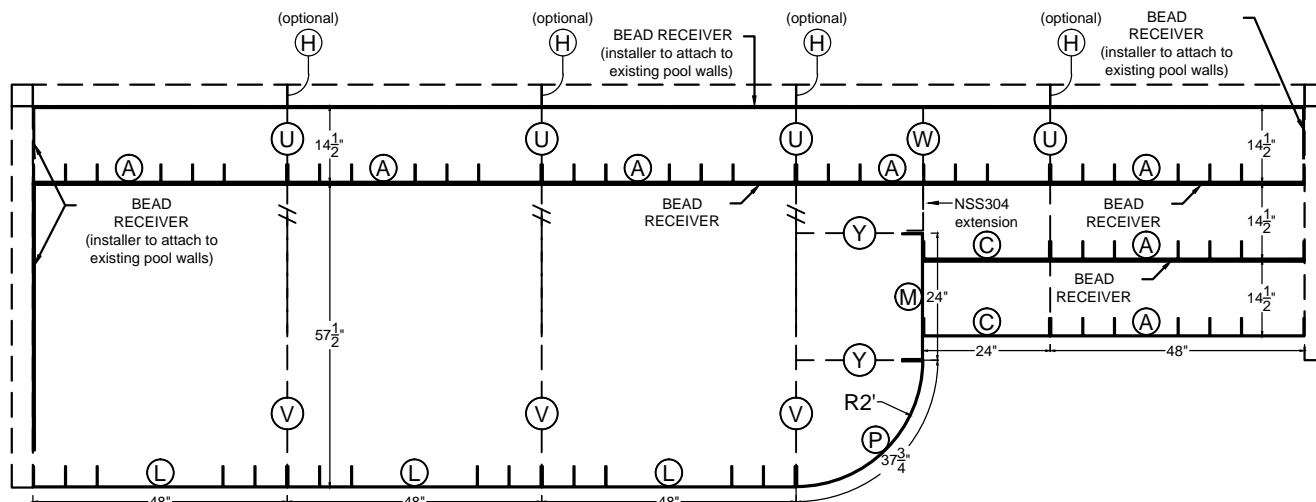
VW42SS2090-0614-06RB-90

VW42SS2090-0614-06RB-6R

- 1) Steel braces will be attached BETWEEN sections on step treads. End flanges on adjoining step risers will create a pocket to insert the steel brace.
- 2) Steel braces NSS304 & NSS305 bolted together will create the standard NSS147 brace for full end step units.
- 3) Installer must specify the measurement of the sundeck area to ensure proper liner fit.
- 4) This Modular Step Unit can be made with 6" Radius Corners by installing the optional 6"R foam corner insert (GLAUC4442NT). One required per feature that must be cut to size. **ALWAYS SPECIFY CORNERS WHEN ORDERING THE POOL AND LINER.**

## 20' x 90° Nexus Side-by-Side w/ 6' Stair & 14' x 6' Sundeck Right

### 42SS2090-0614-06RB



**NOTES FOR INSTALLER:**  
PERIMETER PANELS WILL REQUIRE DRILLING HOLES TO ATTACH STEP RISERS



# Imperial POOLS

**ALWAYS SPECIFY 6" OR 90° CORNERS WHEN ORDERING THE POOL AND LINER.**

# Polymer POOL SYSTEM

THIS STAIR / SUNDECK CONFORMS TO CURRENT *APSP/ANSI/ICC-5 2011* & *ISPSA 2024* STANDARDS FOR RESIDENTIAL INGROUND SWIMMING POOLS

45

# 42SS2090-0614-08LB

## 20' x 90° Nexus Side-by-Side w/ 6' Stair & 14' x 8' Sundeck Left 42SS2090-0614-08LB

Count	PART#	DESCRIPTION	LETTER
7	NSS136	48" Step Riser	(A)
2	NSS169	24" Step Riser	(C)
4	NSS107	42" Stair Brace Wall Insert	(H)
4	NSS300	48" Sundeck / Bench Riser	(L)
1	NSS303	2'RR Sundeck / Bench Riser	(P)
4	NSS147	Straight Stair Brace - 14.5" Tread	(U)
3	NSS150	Variable Sundeck Brace	(V)
1	NSS304	2 Piece Straight Stair Brace - Top Step	(W)
2	NSS306 (04N296-3)	24" Sundeck / Bench Brace	(Y)

### Included Stair Hardware

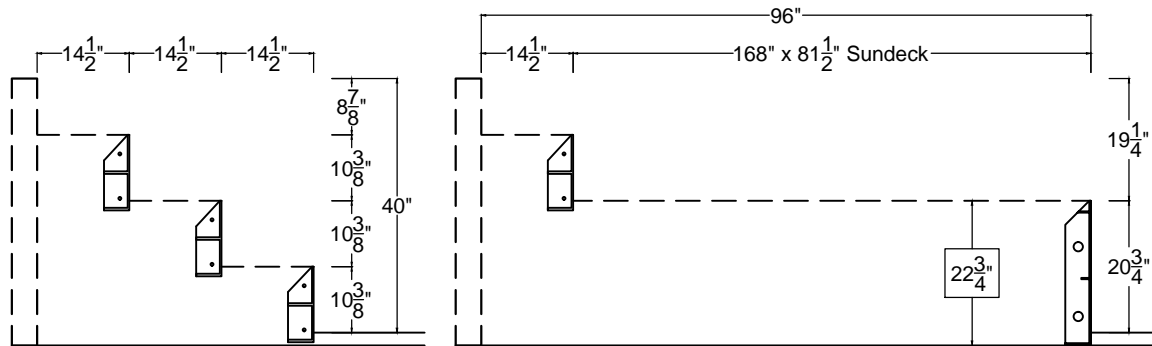
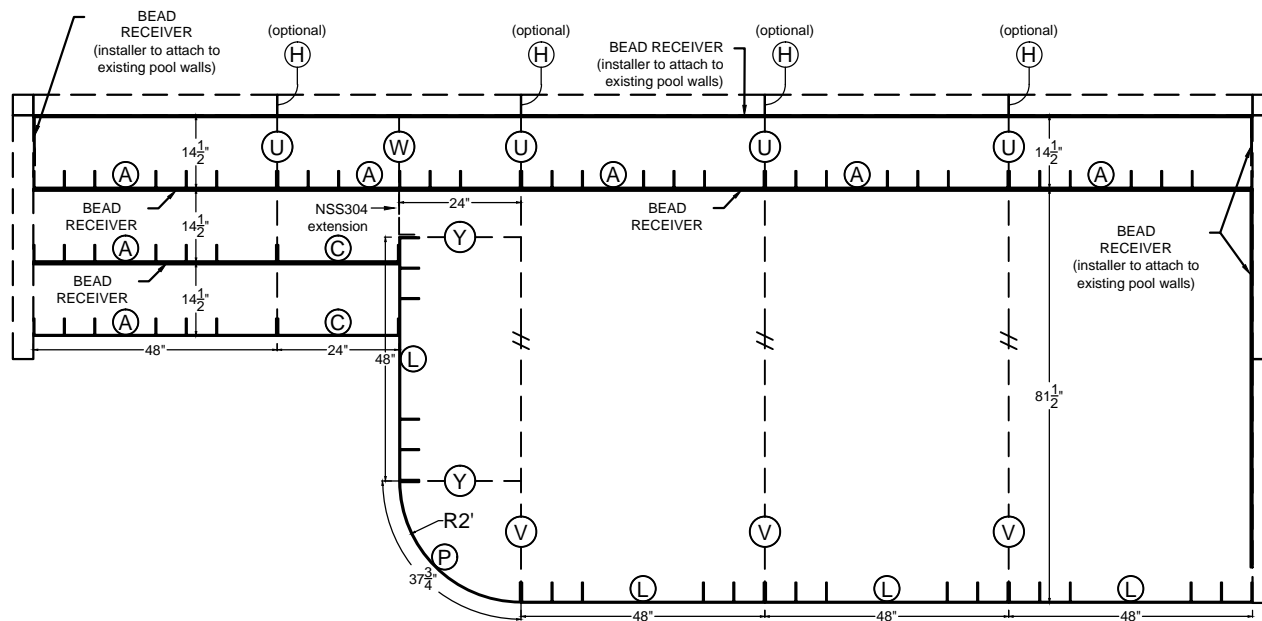
1	149271	3/8" x 18" Rebar - Bundle of 20	---
70	149664	3/8" Washer Head Hex Nut	---
70	149670	3/8" x 1 1/4" Washer Head Hex Bolt	---
40	42999	1 5/8" Clip Screw	---
1	TEK75	Tek Screws - Pack of 75	---
6	NSS1112	Large Nexus Brace Clip	---
7	NSS8BR	8' Bead Receiver	---

### Vinyl Works Liner Special Feature Item Numbers

VW42SS2090-0614-08LB-90

VW42SS2090-0614-08LB-6R

- 1) Steel braces will be attached BETWEEN sections on step treads. End flanges on adjoining step risers will create a pocket to insert the steel brace.
- 2) Steel braces NSS304 & NSS305 bolted together will create the standard NSS147 brace for full end step units.
- 3) Installer must specify the measurement of the sundeck area to ensure proper liner fit.
- 4) This Modular Step Unit can be made with 6" Radius Corners by installing the optional 6"R foam corner insert (GLAUC4442NT). One required per feature that must be cut to size. **ALWAYS SPECIFY CORNERS WHEN ORDERING THE POOL AND LINER.**



**NOTES FOR INSTALLER:**  
PERIMETER PANELS WILL REQUIRE DRILLING HOLES TO ATTACH STEP RISERS



# Imperial POOLS

**ALWAYS SPECIFY 6" OR 90° CORNERS WHEN ORDERING THE POOL AND LINER.**

# Polymer POOL SYSTEM

THIS STAIR / SUNDECK CONFORMS TO CURRENT *APSP/ANSI/ICC-5 2011* & *ISPS 2024* STANDARDS FOR RESIDENTIAL INGROUND SWIMMING POOLS

46

# 42SS2090-0614-08RB

## 20' x 90° Nexus Side-by-Side w/ 6' Stair & 14' x 8' Sundeck Right 42SS2090-0614-08RB

Count	PART#	DESCRIPTION	LETTER
7	NSS136	48" Step Riser	(A)
2	NSS169	24" Step Riser	(C)
4	NSS107	42" Stair Brace Wall Insert	(H)
4	NSS300	48" Sundeck / Bench Riser	(L)
1	NSS303	2'RR Sundeck / Bench Riser	(P)
4	NSS147	Straight Stair Brace - 14.5" Tread	(U)
3	NSS150	Variable Sundeck Brace	(V)
1	NSS304	2 Piece Straight Stair Brace - Top Step	(W)
2	NSS306 (04N296-3)	24" Sundeck / Bench Brace	(Y)

### Included Stair Hardware

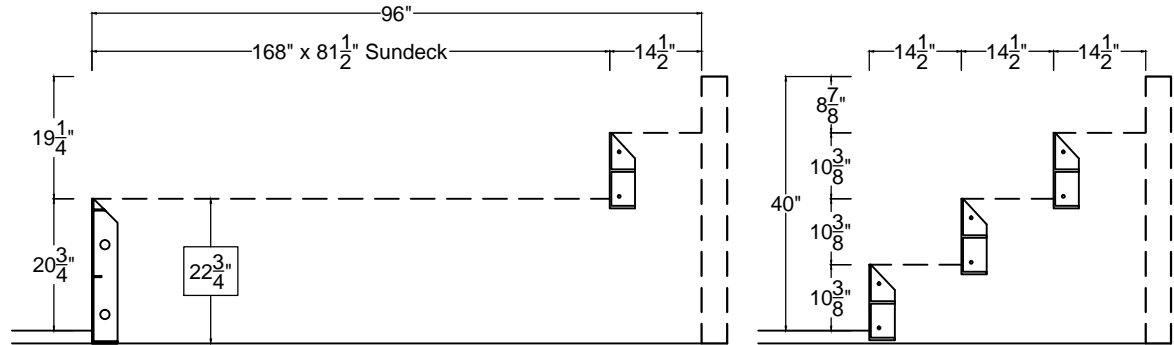
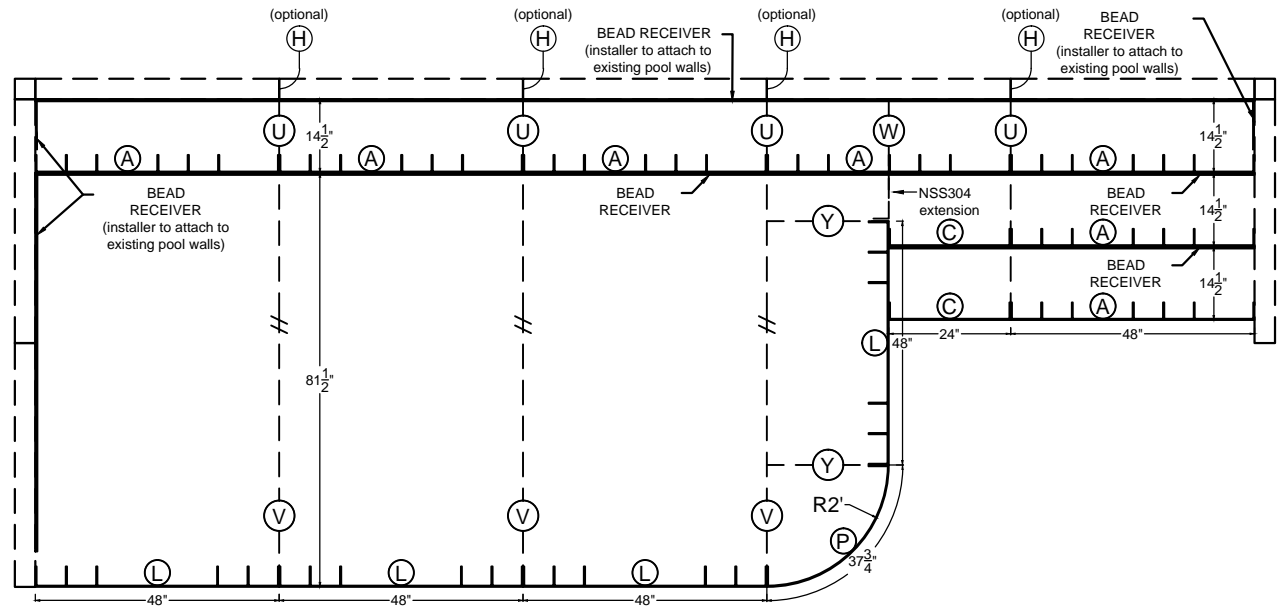
1	149271	3/8" x 18" Rebar - Bundle of 20	---
70	149664	3/8" Washer Head Hex Nut	---
70	149670	3/8" x 1 1/4" Washer Head Hex Bolt	---
40	42999	1 5/8" Clip Screw	---
1	TEK75	Tek Screws - Pack of 75	---
6	NSS1112	Large Nexus Brace Clip	---
7	NSS8BR	8' Bead Receiver	---

### Vinyl Works Liner Special Feature Item Numbers

VW42SS2090-0614-08RB-90

VW42SS2090-0614-08RB-6R

- 1) Steel braces will be attached BETWEEN sections on step treads. End flanges on adjoining step risers will create a pocket to insert the steel brace.
- 2) Steel braces NSS304 & NSS305 bolted together will create the standard NSS147 brace for full end step units.
- 3) Installer must specify the measurement of the sundeck area to ensure proper liner fit.
- 4) This Modular Step Unit can be made with 6" Radius Corners by installing the optional 6"R foam corner insert (GLAUC4442NT). One required per feature that must be cut to size. **ALWAYS SPECIFY CORNERS WHEN ORDERING THE POOL AND LINER.**



**NOTES FOR INSTALLER:**  
PERIMETER PANELS WILL REQUIRE DRILLING HOLES TO ATTACH STEP RISERS



# Imperial POOLS

**ALWAYS SPECIFY 6" OR 90° CORNERS WHEN ORDERING THE POOL AND LINER.**

# Polymer POOL SYSTEM

THIS STAIR / SUNDECK CONFORMS TO CURRENT *APSP/ANSI/ICC-5 2011* & *ISPS 2024* STANDARDS FOR RESIDENTIAL INGROUND SWIMMING POOLS

47

# 42SS2090-0812-06LB

Count	PART#	DESCRIPTION	LETTER
9	NSS136	48" Step Riser	(A)
4	NSS107	42" Stair Brace Wall Insert	(H)
2	NSS300	48" Sundeck / Bench Riser	(L)
2	NSS302	24" Sundeck / Bench Riser	(M)
1	NSS303	2'RR Sundeck / Bench Riser	(P)
4	NSS147	Straight Stair Brace - 14.5" Tread	(U)
3	NSS150	Variable Sundeck Brace	(V)
1	NSS304	2 Piece Straight Stair Brace - Top Step	(W)
2	NSS306 (04N296-3)	24" Sundeck / Bench Brace	(Y)

### Included Stair Hardware

1	149271	3/8" x 18" Rebar - Bundle of 20	---
70	149664	3/8" Washer Head Hex Nut	---
70	149670	3/8" x 1 1/4" Washer Head Hex Bolt	---
40	42999	1 5/8" Clip Screw	---
1	TEK75	Tek Screws - Pack of 75	---
6	NSS1112	Large Nexus Brace Clip	---
7	NSS8BR	8' Bead Receiver	---

### Vinyl Works Liner Special Feature Item Numbers

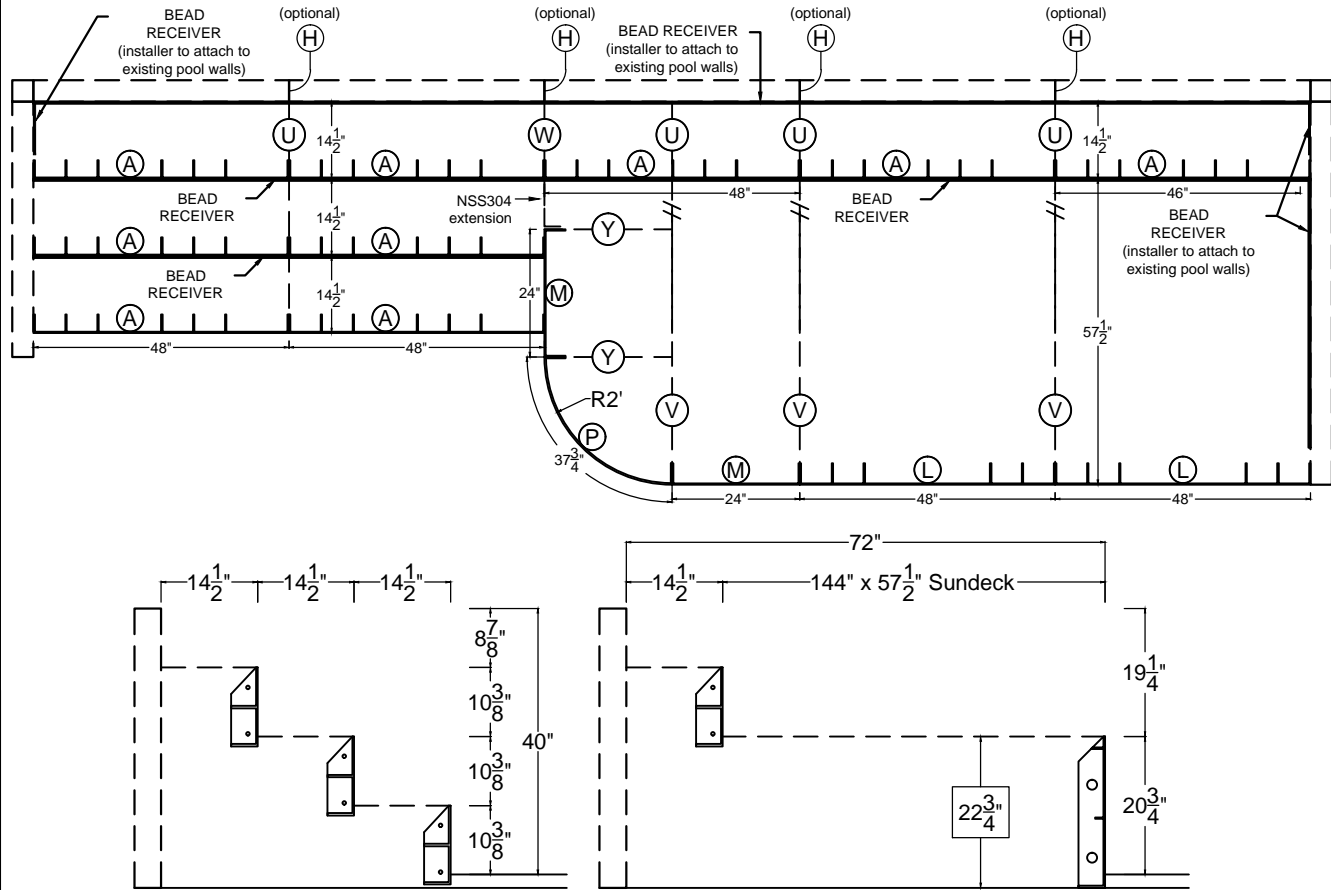
VW42SS2090-0812-06LB-90

VW42SS2090-0812-06LB-6R

- 1) Steel braces will be attached BETWEEN sections on step treads. End flanges on adjoining step risers will create a pocket to insert the steel brace.
- 2) Steel braces NSS304 & NSS305 bolted together will create the standard NSS147 brace for full end step units.
- 3) Installer must specify the measurement of the sundeck area to ensure proper liner fit.
- 4) This Modular Step Unit can be made with 6" Radius Corners by installing the optional 6"R foam corner insert (GLAUC4442NT). One required per feature that must be cut to size. **ALWAYS SPECIFY CORNERS WHEN ORDERING THE POOL AND LINER.**

## 20' x 90° Nexus Side-by-Side w/ 8' Stair & 12' x 6' Sundeck Left

### 42SS2090-0812-06LB



**NOTES FOR INSTALLER:**  
PERIMETER PANELS WILL REQUIRE DRILLING HOLES TO ATTACH STEP RISERS



**ALWAYS SPECIFY 6" OR 90° CORNERS WHEN ORDERING THE POOL AND LINER.**

**Polymer**  
POOL SYSTEM

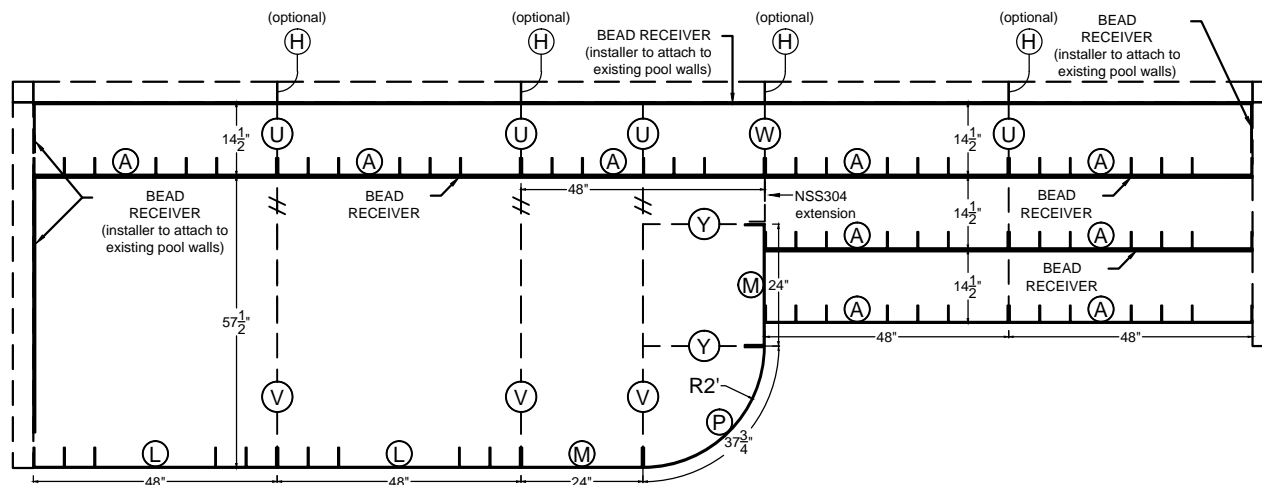
THIS STAIR / SUNDECK CONFORMS TO CURRENT *APSP/ANSI/ICC-5 2011* & *ISPS 2024* STANDARDS FOR RESIDENTIAL INGROUND SWIMMING POOLS

48

# 42SS2090-0812-06RB

20' x 90° Nexus Side-by-Side w/ 8' Stair & 12' x 6' Sundeck Right

## 42SS2090-0812-06RB



### Included Stair Hardware

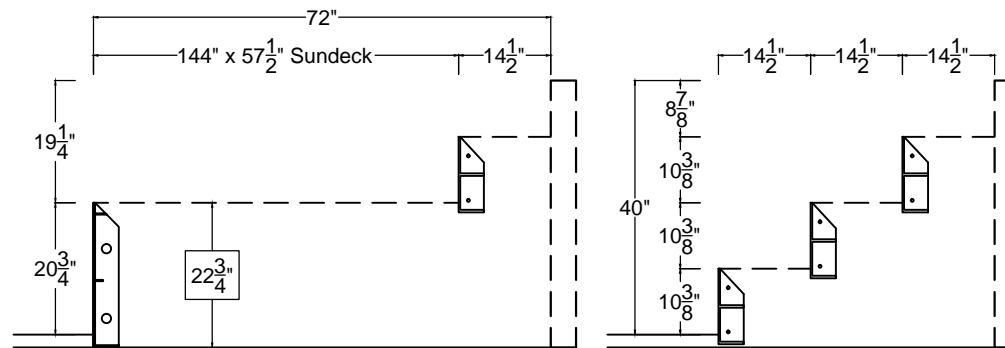
Count	PART#	DESCRIPTION	LETTER
1	149271	3/8" x 18" Rebar - Bundle of 20	---
70	149664	3/8" Washer Head Hex Nut	---
70	149670	3/8" x 1 1/4" Washer Head Hex Bolt	---
40	42999	1 5/8" Clip Screw	---
1	TEK75	Tek Screws - Pack of 75	---
6	NSS1112	Large Nexus Brace Clip	---
7	NSS8BR	8' Bead Receiver	---

### Vinyl Works Liner Special Feature Item Numbers

VW42SS2090-0812-06RB-90

VW42SS2090-0812-06RB-6R

- 1) Steel braces will be attached BETWEEN sections on step treads. End flanges on adjoining step risers will create a pocket to insert the steel brace.
- 2) Steel braces NSS304 & NSS305 bolted together will create the standard NSS147 brace for full end step units.
- 3) Installer must specify the measurement of the sundeck area to ensure proper liner fit.
- 4) This Modular Step Unit can be made with 6" Radius Corners by installing the optional 6"R foam corner insert (GLAUC4442NT). One required per feature that must be cut to size. **ALWAYS SPECIFY CORNERS WHEN ORDERING THE POOL AND LINER.**



**NOTES FOR INSTALLER:**  
PERIMETER PANELS WILL REQUIRE DRILLING HOLES TO ATTACH STEP RISERS



# Imperial POOLS

**ALWAYS SPECIFY 6" OR 90° CORNERS WHEN ORDERING THE POOL AND LINER.**

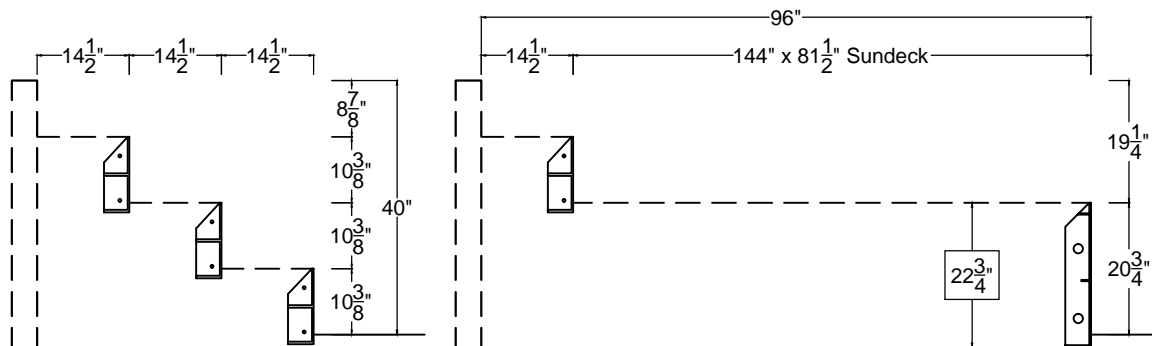
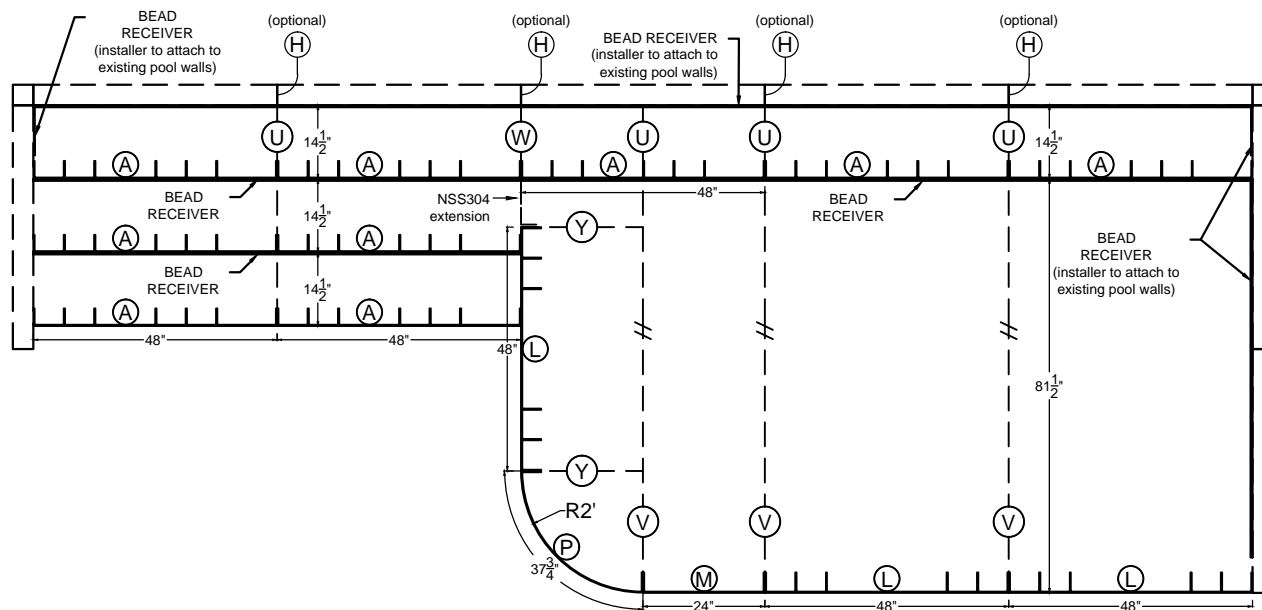
# Polymer POOL SYSTEM

THIS STAIR / SUNDECK CONFORMS TO CURRENT *APSP/ANSI/ICC-5 2011* & *ISPS 2024* STANDARDS FOR RESIDENTIAL INGROUND SWIMMING POOLS

49

# 42SS2090-0812-08LB

## 20' x 90° Nexus Side-by-Side w/ 8' Stair & 12' x 8' Sundeck Left 42SS2090-0812-08LB



Count	PART#	DESCRIPTION	LETTER
9	NSS136	48" Step Riser	(A)
4	NSS107	42" Stair Brace Wall Insert	(H)
3	NSS300	48" Sundeck / Bench Riser	(L)
1	NSS302	24" Sundeck / Bench Riser	(M)
1	NSS303	2"RR Sundeck / Bench Riser	(P)
4	NSS147	Straight Stair Brace - 14.5" Tread	(U)
3	NSS150	Variable Sundeck Brace	(V)
1	NSS304	2 Piece Straight Stair Brace - Top Step	(W)
2	NSS306 (04N296-3)	24" Sundeck / Bench Brace	(Y)

### Included Stair Hardware

1	149271	3/8" x 18" Rebar - Bundle of 20	---
70	149664	3/8" Washer Head Hex Nut	---
70	149670	3/8" x 1 1/4" Washer Head Hex Bolt	---
40	42999	1 5/8" Clip Screw	---
1	TEK75	Tek Screws - Pack of 75	---
6	NSS1112	Large Nexus Brace Clip	---
7	NSS8BR	8' Bead Receiver	---

### Vinyl Works Liner Special Feature Item Numbers

VW42SS2090-0812-08LB-90

VW42SS2090-0812-08LB-6R

- 1) Steel braces will be attached BETWEEN sections on step treads. End flanges on adjoining step risers will create a pocket to insert the steel brace.
- 2) Steel braces NSS304 & NSS305 bolted together will create the standard NSS147 brace for full end step units.
- 3) Installer must specify the measurement of the sundeck area to ensure proper liner fit.
- 4) This Modular Step Unit can be made with 6" Radius Corners by installing the optional 6"R foam corner insert (GLAUC4442NT). One required per feature that must be cut to size. **ALWAYS SPECIFY CORNERS WHEN ORDERING THE POOL AND LINER.**

**NOTES FOR INSTALLER:**  
PERIMETER PANELS WILL REQUIRE DRILLING HOLES TO ATTACH STEP RISERS



# Imperial POOLS

**ALWAYS SPECIFY 6" OR 90° CORNERS WHEN ORDERING THE POOL AND LINER.**

# Polymer POOL SYSTEM

THIS STAIR / SUNDECK CONFORMS TO CURRENT *APSP/ANSI/ICC-5 2011* & *ISPS 2024* STANDARDS FOR RESIDENTIAL INGROUND SWIMMING POOLS

50

# 42SS2090-0812-08RB

## 20' x 90° Nexus Side-by-Side w/ 8' Stair & 12' x 8' Sundeck Right 42SS2090-0812-08RB

Count	PART#	DESCRIPTION	LETTER
9	NSS136	48" Step Riser	(A)
4	NSS107	42" Stair Brace Wall Insert	(H)
3	NSS300	48" Sundeck / Bench Riser	(L)
1	NSS302	24" Sundeck / Bench Riser	(M)
1	NSS303	2'RR Sundeck / Bench Riser	(P)
4	NSS147	Straight Stair Brace - 14.5" Tread	(U)
3	NSS150	Variable Sundeck Brace	(V)
1	NSS304	2 Piece Straight Stair Brace - Top Step	(W)
2	NSS306 (04N296-3)	24" Sundeck / Bench Brace	(Y)

### Included Stair Hardware

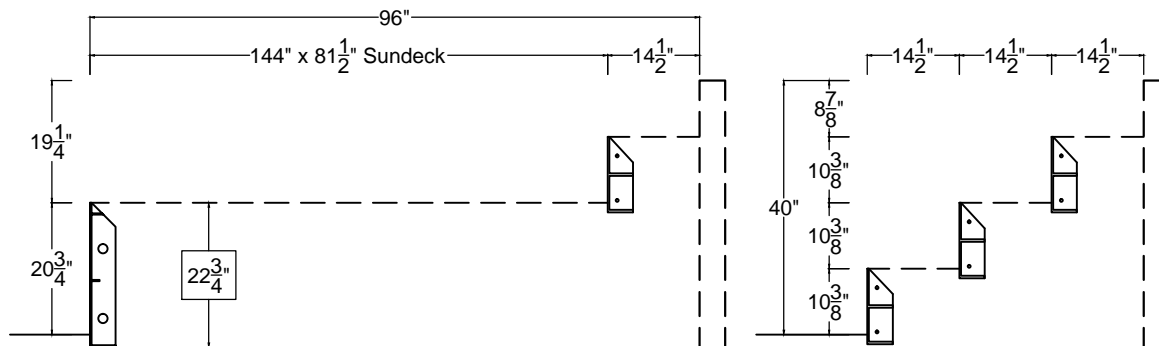
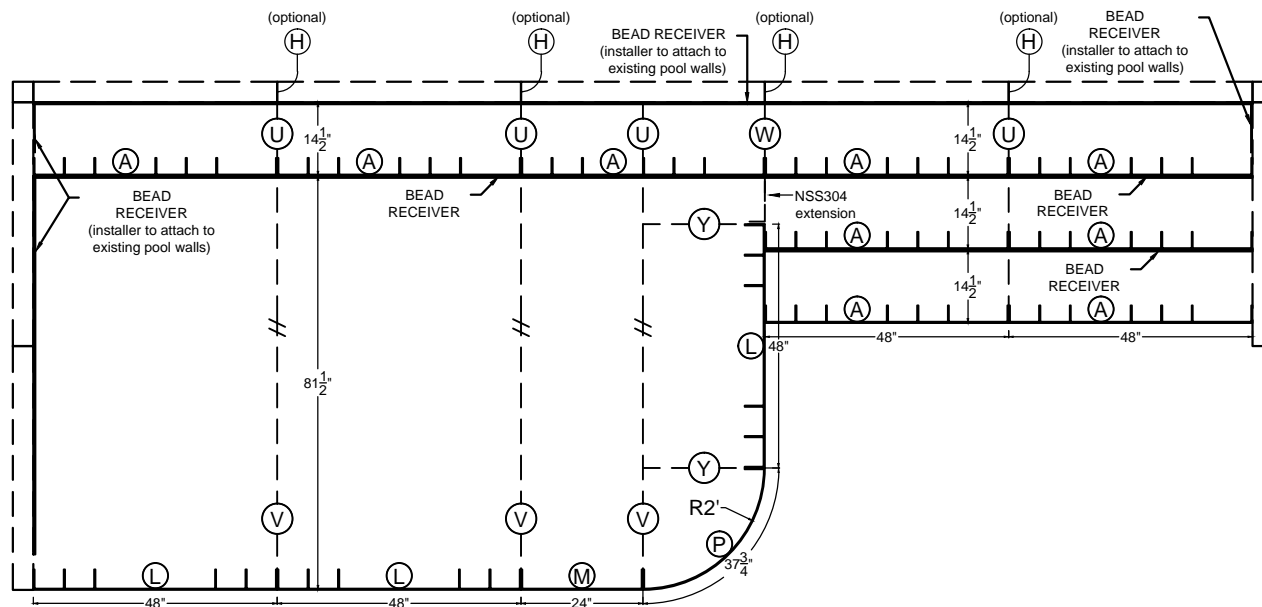
1	149271	3/8" x 18" Rebar - Bundle of 20	---
70	149664	3/8" Washer Head Hex Nut	---
70	149670	3/8" x 1 1/4" Washer Head Hex Bolt	---
40	42999	1 5/8" Clip Screw	---
1	TEK75	Tek Screws - Pack of 75	---
6	NSS1112	Large Nexus Brace Clip	---
18	NSS5WR	Galvanized Wire Tread Reinforcement	---
7	NSS8BR	8' Bead Receiver	---

### Vinyl Works Liner Special Feature Item Numbers

VW42SS2090-0812-08RB-90

VW42SS2090-0812-08RB-6R

- 1) Steel braces will be attached BETWEEN sections on step treads. End flanges on adjoining step risers will create a pocket to insert the steel brace.
- 2) Steel braces NSS304 & NSS305 bolted together will create the standard NSS147 brace for full end step units.
- 3) Installer must specify the measurement of the sundeck area to ensure proper liner fit.
- 4) This Modular Step Unit can be made with 6" Radius Corners by installing the optional 6"R foam corner insert (GLAUC4442NT). One required per feature that must be cut to size. **ALWAYS SPECIFY CORNERS WHEN ORDERING THE POOL AND LINER.**



**NOTES FOR INSTALLER:**  
PERIMETER PANELS WILL REQUIRE DRILLING HOLES TO ATTACH STEP RISERS



# Imperial POOLS

**ALWAYS SPECIFY 6" OR 90° CORNERS WHEN ORDERING THE POOL AND LINER.**

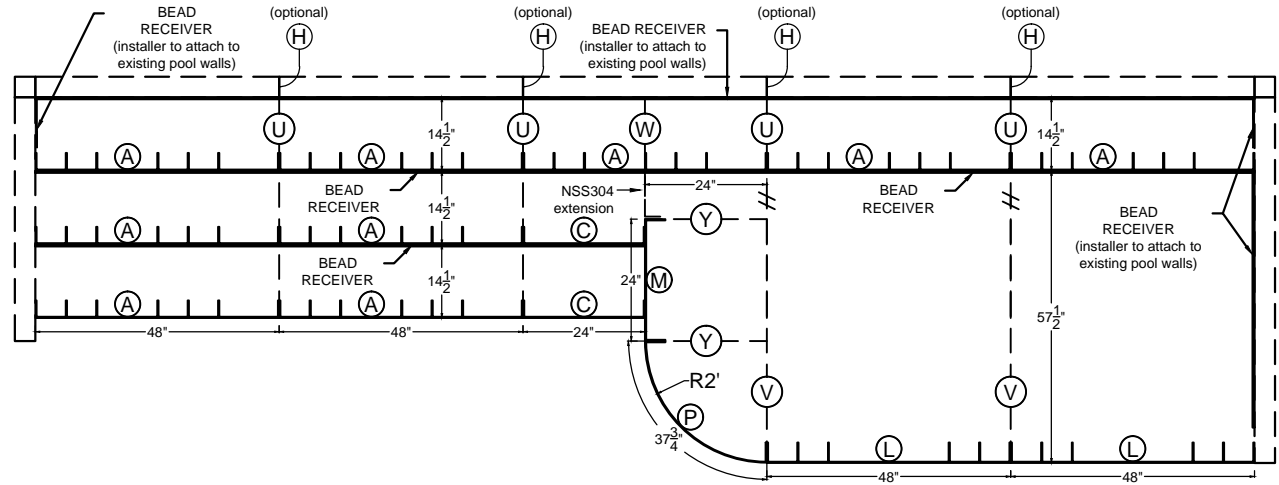
# Polymer POOL SYSTEM

THIS STAIR / SUNDECK CONFORMS TO CURRENT *APSP/ANSI/ICC-5 2011* & *ISPS 2024* STANDARDS FOR RESIDENTIAL INGROUND SWIMMING POOLS

51

# 42SS2090-1010-06LB

## 20' x 90° Nexus Side-by-Side w/ 10' Stair & 10' x 6' Sundeck Left 42SS2090-1010-06LB



### Included Stair Hardware

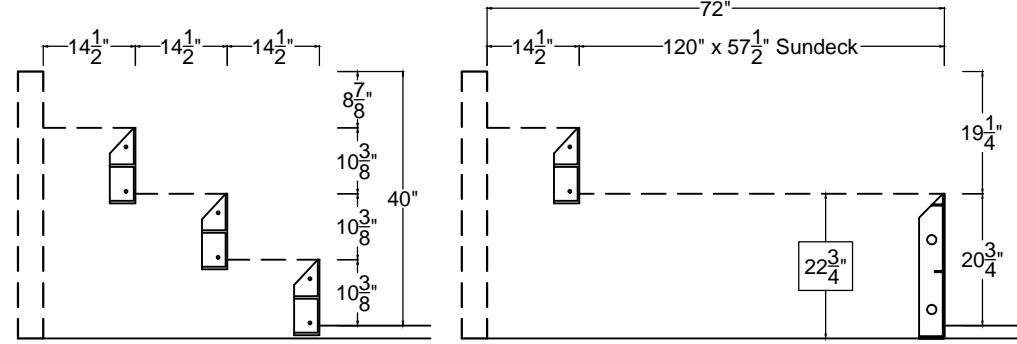
Count	PART#	DESCRIPTION	LETTER
1	149271	3/8" x 18" Rebar - Bundle of 20	---
70	149664	3/8" Washer Head Hex Nut	---
70	149670	3/8" x 1 1/4" Washer Head Hex Bolt	---
40	42999	1 5/8" Clip Screw	---
1	TEK75	Tek Screws - Pack of 75	---
6	NSS1112	Large Nexus Brace Clip	---
8	NSS8BR	8' Bead Receiver	---

### Vinyl Works Liner Special Feature Item Numbers

VW42SS2090-1010-06LB-90

VW42SS2090-1010-06LB-6R

- 1) Steel braces will be attached BETWEEN sections on step treads. End flanges on adjoining step risers will create a pocket to insert the steel brace.
- 2) Steel braces NSS304 & NSS305 bolted together will create the standard NSS147 brace for full end step units.
- 3) Installer must specify the measurement of the sundeck area to ensure proper liner fit.
- 4) This Modular Step Unit can be made with 6" Radius Corners by installing the optional 6"R foam corner insert (GLAUC4442NT). One required per feature that must be cut to size. **ALWAYS SPECIFY CORNERS WHEN ORDERING THE POOL AND LINER.**



**NOTES FOR INSTALLER:**  
PERIMETER PANELS WILL REQUIRE DRILLING HOLES TO ATTACH STEP RISERS



# Imperial POOLS

**ALWAYS SPECIFY 6" OR 90° CORNERS WHEN ORDERING THE POOL AND LINER.**

# Polymer POOL SYSTEM

THIS STAIR / SUNDECK CONFORMS TO CURRENT *APSP/ANSI/ICC-5 2011* & *ISPS 2024* STANDARDS FOR RESIDENTIAL INGROUND SWIMMING POOLS

52



# 42SS2090-1010-06RB

## 20' x 90° Nexus Side-by-Side w/ 10' Stair & 10' x 6' Sundeck Right 42SS2090-1010-06RB

Count	PART#	DESCRIPTION	LETTER
9	NSS136	48" Step Riser	(A)
2	NSS169	24" Step Riser	(C)
4	NSS107	42" Stair Brace Wall Insert	(H)
2	NSS300	48" Sundeck / Bench Riser	(L)
1	NSS302	24" Sundeck / Bench Riser	(M)
1	NSS303	2'RR Sundeck / Bench Riser	(P)
4	NSS147	Straight Stair Brace - 14.5" Tread	(U)
2	NSS150	Variable Sundeck Brace	(V)
1	NSS304	2 Piece Straight Stair Brace - Top Step	(W)
2	NSS306 (04N296-3)	24" Sundeck / Bench Brace	(Y)

### Included Stair Hardware

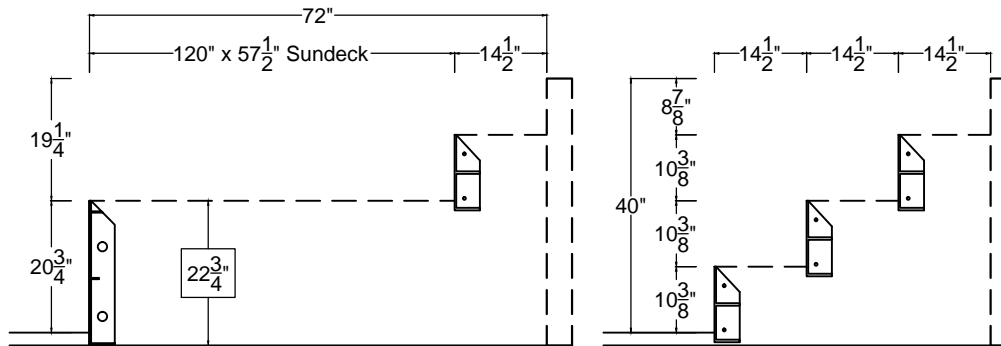
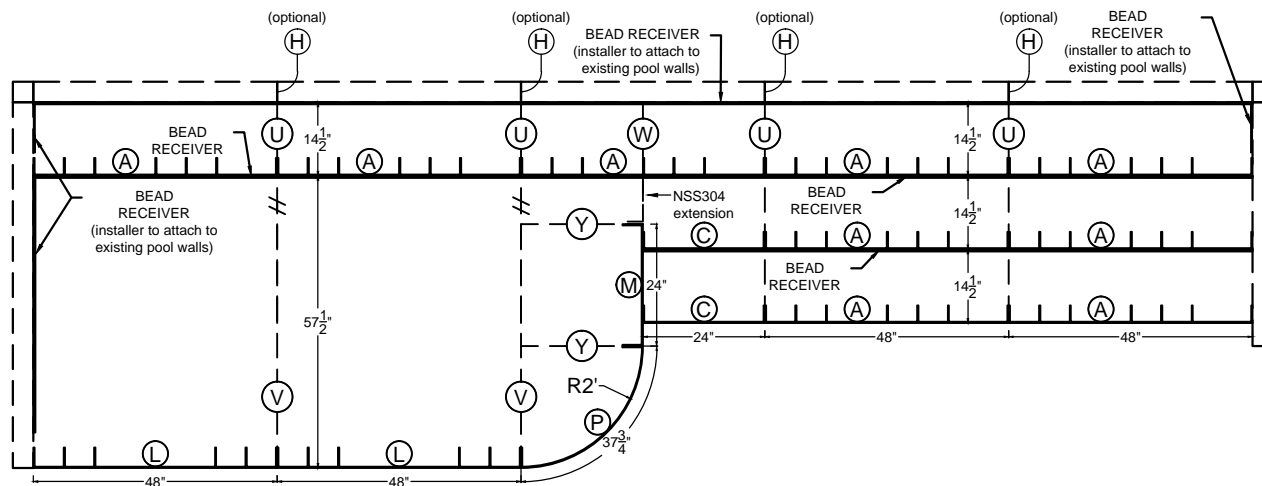
1	149271	3/8" x 18" Rebar - Bundle of 20	---
70	149664	3/8" Washer Head Hex Nut	---
70	149670	3/8" x 1 1/4" Washer Head Hex Bolt	---
40	42999	1 5/8" Clip Screw	---
1	TEK75	Tek Screws - Pack of 75	---
6	NSS1112	Large Nexus Brace Clip	---
8	NSS8BR	8' Bead Receiver	---

### Vinyl Works Liner Special Feature Item Numbers

VW42SS2090-1010-06RB-90

VW42SS2090-1010-06RB-6R

- Steel braces will be attached BETWEEN sections on step treads. End flanges on adjoining step risers will create a pocket to insert the steel brace.
- Steel braces NSS304 & NSS305 bolted together will create the standard NSS147 brace for full end step units.
- Installer must specify the measurement of the sundeck area to ensure proper liner fit.
- This Modular Step Unit can be made with 6" Radius Corners by installing the optional 6"R foam corner insert (GLAUC4442NT). One required per feature that must be cut to size. **ALWAYS SPECIFY CORNERS WHEN ORDERING THE POOL AND LINER.**



**NOTES FOR INSTALLER:**  
PERIMETER PANELS WILL REQUIRE DRILLING HOLES TO ATTACH STEP RISERS



# Imperial POOLS

**ALWAYS SPECIFY 6" OR 90° CORNERS WHEN ORDERING THE POOL AND LINER.**

# Polymer POOL SYSTEM

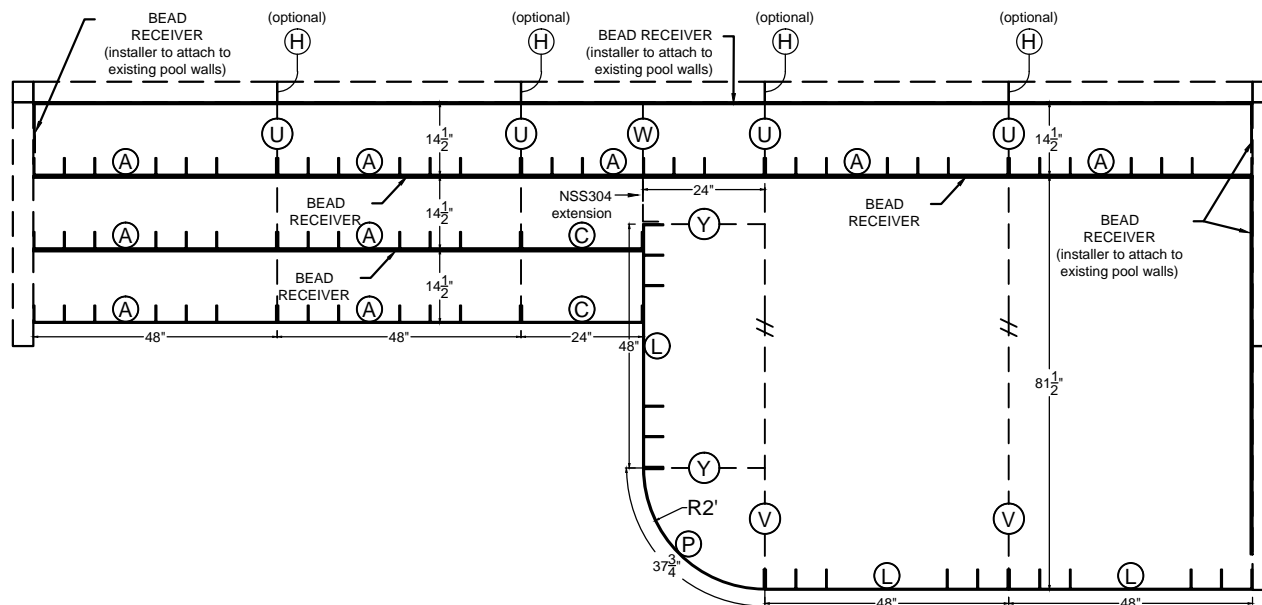
THIS STAIR / SUNDECK CONFORMS TO CURRENT *APSP/ANSI/ICC-5 2011* & *ISPS 2024* STANDARDS FOR RESIDENTIAL INGROUND SWIMMING POOLS

53

# 42SS2090-1010-08LB

20' x 90° Nexus Side-by-Side w/ 10' Stair & 10' x 8' Sundeck Left

## 42SS2090-1010-08LB



### Included Stair Hardware

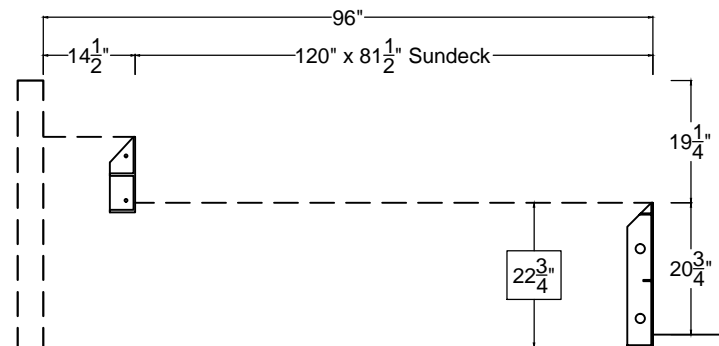
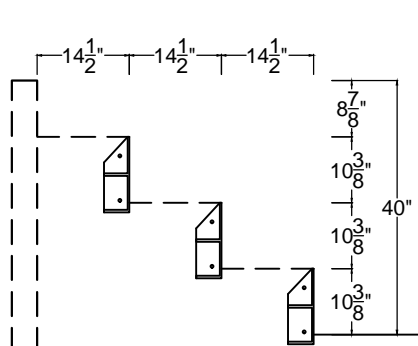
Count	PART#	DESCRIPTION	LETTER
1	149271	3/8" x 18" Rebar - Bundle of 20	---
70	149664	3/8" Washer Head Hex Nut	---
70	149670	3/8" x 1 1/4" Washer Head Hex Bolt	---
40	42999	1 5/8" Clip Screw	---
1	TEK75	Tek Screws - Pack of 75	---
6	NSS1112	Large Nexus Brace Clip	---
8	NSS8BR	8' Bead Receiver	---

### Vinyl Works Liner Special Feature Item Numbers

VW42SS2090-1010-08LB-90

VW42SS2090-1010-08LB-6R

- 1) Steel braces will be attached BETWEEN sections on step treads. End flanges on adjoining step risers will create a pocket to insert the steel brace.
- 2) Steel braces NSS304 & NSS305 bolted together will create the standard NSS147 brace for full end step units.
- 3) Installer must specify the measurement of the sundeck area to ensure proper liner fit.
- 4) This Modular Step Unit can be made with 6" Radius Corners by installing the optional 6"R foam corner insert (GLAUC4442NT). One required per feature that must be cut to size. **ALWAYS SPECIFY CORNERS WHEN ORDERING THE POOL AND LINER.**



**NOTES FOR INSTALLER:**  
PERIMETER PANELS WILL REQUIRE DRILLING HOLES TO ATTACH STEP RISERS



# Imperial POOLS

**ALWAYS SPECIFY 6" OR 90° CORNERS WHEN ORDERING THE POOL AND LINER.**

# Polymer POOL SYSTEM

THIS STAIR / SUNDECK CONFORMS TO CURRENT *APSP/ANSI/ICC-5 2011* & *ISPS 2024* STANDARDS FOR RESIDENTIAL INGROUND SWIMMING POOLS

# 42SS2090-1010-08RB

## 20' x 90° Nexus Side-by-Side w/ 10' Stair & 10' x 8' Sundeck Right 42SS2090-1010-08RB

Count	PART#	DESCRIPTION	LETTER
9	NSS136	48" Step Riser	(A)
2	NSS169	24" Step Riser	(C)
4	NSS107	42" Stair Brace Wall Insert	(H)
3	NSS300	48" Sundeck / Bench Riser	(L)
1	NSS303	2'RR Sundeck / Bench Riser	(P)
4	NSS147	Straight Stair Brace - 14.5" Tread	(U)
2	NSS150	Variable Sundeck Brace	(V)
1	NSS304	2 Piece Straight Stair Brace - Top Step	(W)
2	NSS306 (04N296-3)	24" Sundeck / Bench Brace	(Y)

### Included Stair Hardware

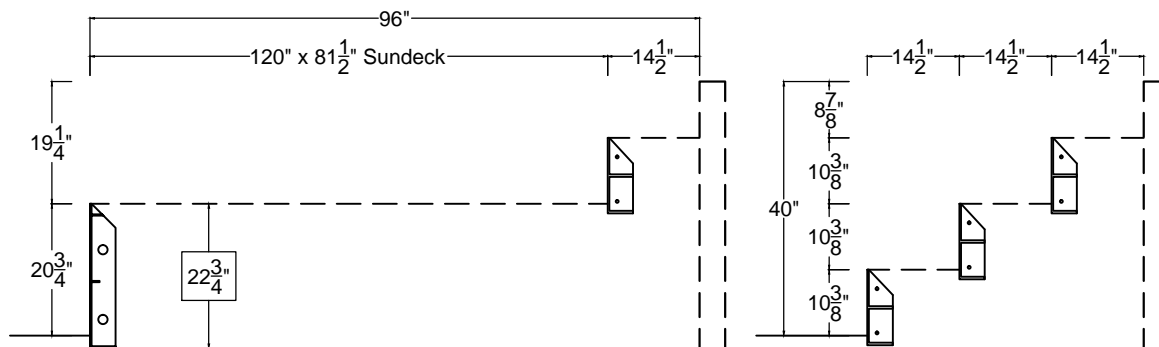
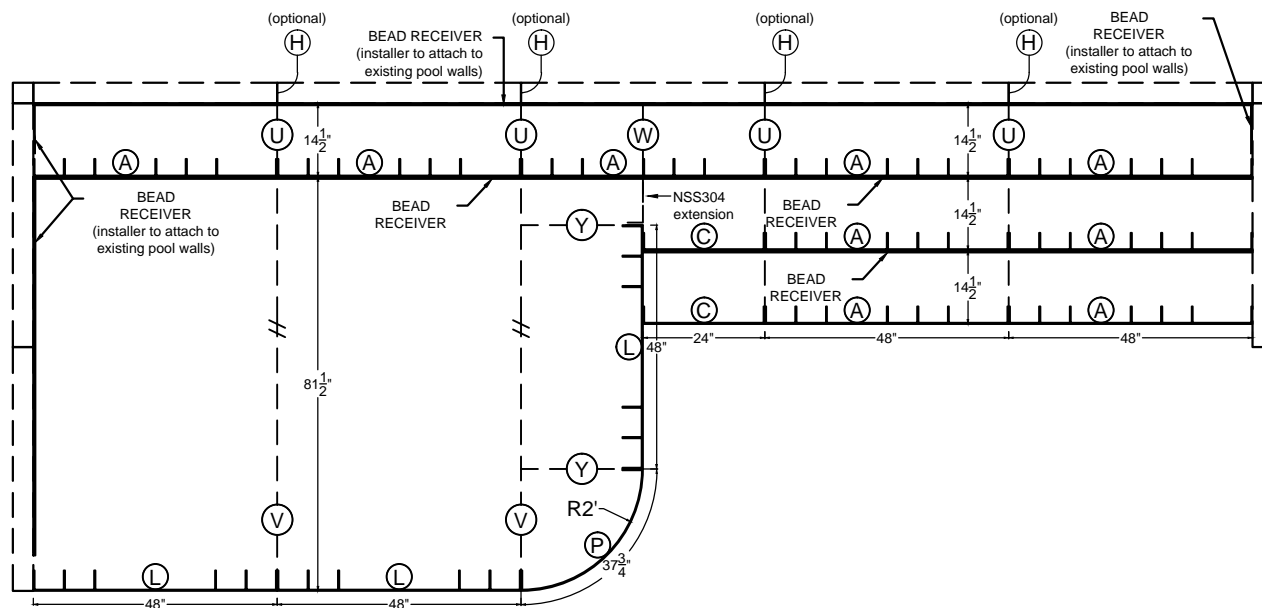
1	149271	3/8" x 18" Rebar - Bundle of 20	---
70	149664	3/8" Washer Head Hex Nut	---
70	149670	3/8" x 1 1/4" Washer Head Hex Bolt	---
40	42999	1 5/8" Clip Screw	---
1	TEK75	Tek Screws - Pack of 75	---
6	NSS1112	Large Nexus Brace Clip	---
8	NSS8BR	8' Bead Receiver	---

### Vinyl Works Liner Special Feature Item Numbers

VW42SS2090-1010-08RB-90

VW42SS2090-1010-08RB-6R

- 1) Steel braces will be attached BETWEEN sections on step treads. End flanges on adjoining step risers will create a pocket to insert the steel brace.
- 2) Steel braces NSS304 & NSS305 bolted together will create the standard NSS147 brace for full end step units.
- 3) Installer must specify the measurement of the sundeck area to ensure proper liner fit.
- 4) This Modular Step Unit can be made with 6" Radius Corners by installing the optional 6"R foam corner insert (GLAUC4442NT). One required per feature that must be cut to size. **ALWAYS SPECIFY CORNERS WHEN ORDERING THE POOL AND LINER.**



**NOTES FOR INSTALLER:**  
PERIMETER PANELS WILL REQUIRE DRILLING HOLES TO ATTACH STEP RISERS



# Imperial POOLS

**ALWAYS SPECIFY 6" OR 90° CORNERS WHEN ORDERING THE POOL AND LINER.**

# Polymer POOL SYSTEM

THIS STAIR / SUNDECK CONFORMS TO CURRENT *APSP/ANSI/ICC-5 2011* & *ISPSA 2024* STANDARDS FOR RESIDENTIAL INGROUND SWIMMING POOLS

55

# 42VS082R

Count	PART#	DESCRIPTION	LETTER
4	NSS136	48" Step Riser	(A)
1	NSS173R	46" Top Step Riser - RIGHT	(D)
1	NSS170L	46" Top Step Riser - LEFT	(E)
2	NSS308	36" Sundeck / Stair Brace Extension	(T)
1	NSS304	2 Piece Straight Stair Brace - Top Step	(W)
1	NSS305	2 Piece Straight Stair Brace - Bottom Step	(X)

### Included Stair Hardware

1	149271	3/8" x 18" Rebar - Bundle of 20	---
40	149664	3/8" Washer Head Hex Nut	---
40	149670	3/8" x 1 1/4" Washer Head Hex Bolt	---
40	42999	1 5/8" Clip Screw	---
1	TEK75	Tek Screws - Pack of 75	---
2	NSS111	Small Nexus L Clip	---
6	NSS1112	Large Nexus Brace Clip	---
5	NSS8BR	8' Bead Receiver	---

**NOTE:** This Modular Step Unit comes with Bead Receiver (NSS8BR) to accommodate sundecks up to 8' in width.

PLEASE PROVIDE SUNDECK  
SIZE FOR LINER PRODUCTION

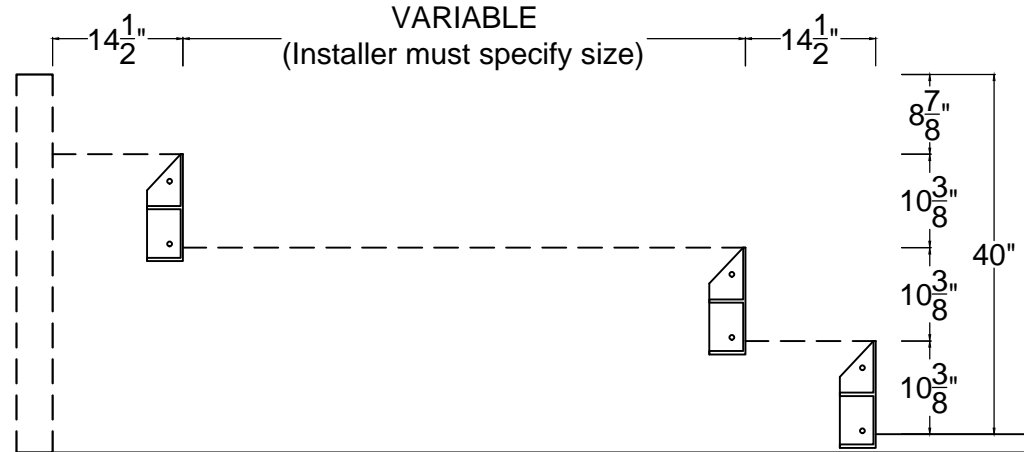
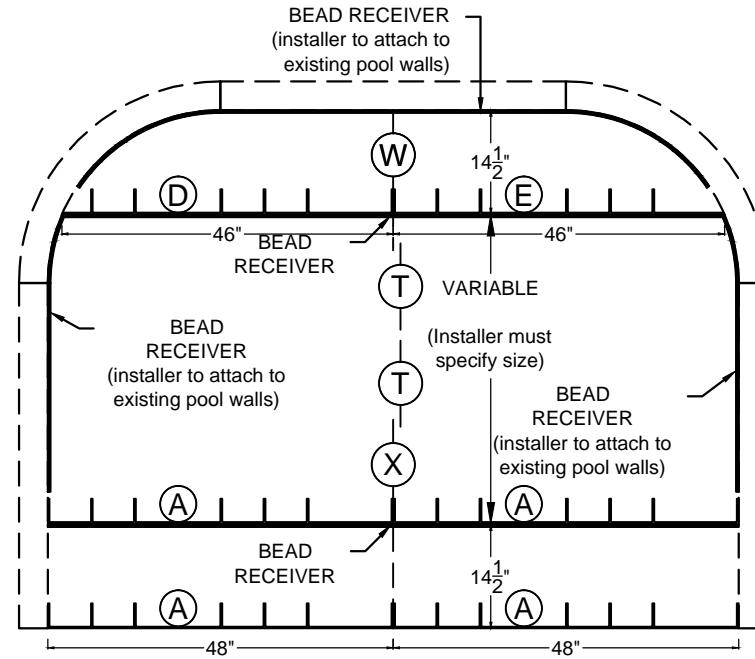
42VS082R - \_\_\_\_" SD

- 1) Steel braces will be attached BETWEEN sections on step treads. End flanges on adjoining step risers will create a pocket to insert the steel brace.
- 2) Steel braces NSS304 & NSS305 bolted together will create the standard NSS147 brace for full end step units.
- 3) Installer must specify the measurement of the sundeck area to ensure proper liner fit.
- 4) This Modular Step Unit can be made with 6" Radius Corners by installing the optional 6"R foam corner insert (GLAUC4442NT). One required per feature that must be cut to size. **ALWAYS SPECIFY CORNERS WHEN ORDERING THE POOL AND LINER.**

**NOTES FOR INSTALLER:**  
PERIMETER PANELS WILL  
REQUIRE DRILLING HOLES  
TO ATTACH STEP RISERS

# 8' x 2'R Nexus Full End Stair w/ Variable Sundeck

## 42VS082R



Imperial  
POOLS

**Polymer**  
POOL SYSTEM

THIS STAIR / SUNDECK CONFORMS TO  
CURRENT *APSP/ANSI/ICC-5 2011* &  
*ISPS 2024* STANDARDS FOR  
RESIDENTIAL INGROUND SWIMMING  
POOLS

56

# 42VS102R

Count	PART#	DESCRIPTION	LETTER
5	NSS136	48" Step Riser	(A)
2	NSS169	24" Step Riser	(C)
1	NSS173R	46" Top Step Riser - RIGHT	(D)
1	NSS165L	22" Top Step Riser - LEFT	(G)
2	NSS107	42" Stair Brace Wall Insert	(H)
4	NSS308	36" Sundeck / Stair Brace Extension	(T)
2	NSS304	2 Piece Straight Stair Brace - Top Step	(W)
2	NSS305	2 Piece Straight Stair Brace - Bottom Step	(X)

### Included Stair Hardware

1	149271	3/8" x 18" Rebar - Bundle of 20	---
40	149664	3/8" Washer Head Hex Nut	---
40	149670	3/8" x 1 1/4" Washer Head Hex Bolt	---
40	42999	1 5/8" Clip Screw	---
1	TEK75	Tek Screws - Pack of 75	---
2	NSS111	Small Nexus L Clip	---
6	NSS1112	Large Nexus Brace Clip	---
6	NSS8BR	8' Bead Receiver	---

**NOTE:** This Modular Step Unit comes with Bead Receiver (NSS8BR) to accommodate sundecks up to 8' in width.

PLEASE PROVIDE SUNDECK  
SIZE FOR LINER PRODUCTION

42VS102R - \_\_\_\_" SD

- 1) Steel braces will be attached BETWEEN sections on step treads. End flanges on adjoining step risers will create a pocket to insert the steel brace.
- 2) Steel braces NSS304 & NSS305 bolted together will create the standard NSS147 brace for full end step units.
- 3) Installer must specify the measurement of the sundeck area to ensure proper liner fit.
- 4) This Modular Step Unit can be made with 6" Radius Corners by installing the optional 6"R foam corner insert (GLAUC4442NT). One required per feature that must be cut to size. **ALWAYS SPECIFY CORNERS WHEN ORDERING THE POOL AND LINER.**

**NOTES FOR INSTALLER:**  
PERIMETER PANELS WILL  
REQUIRE DRILLING HOLES  
TO ATTACH STEP RISERS



# Imperial POOLS

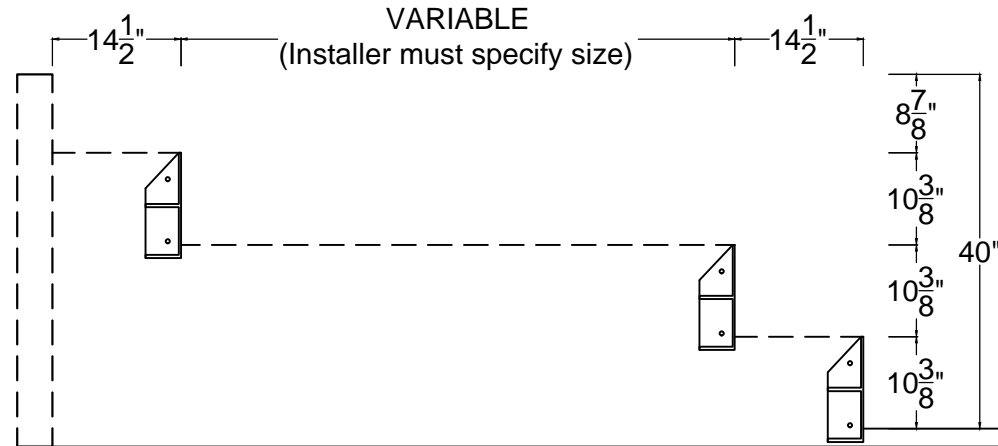
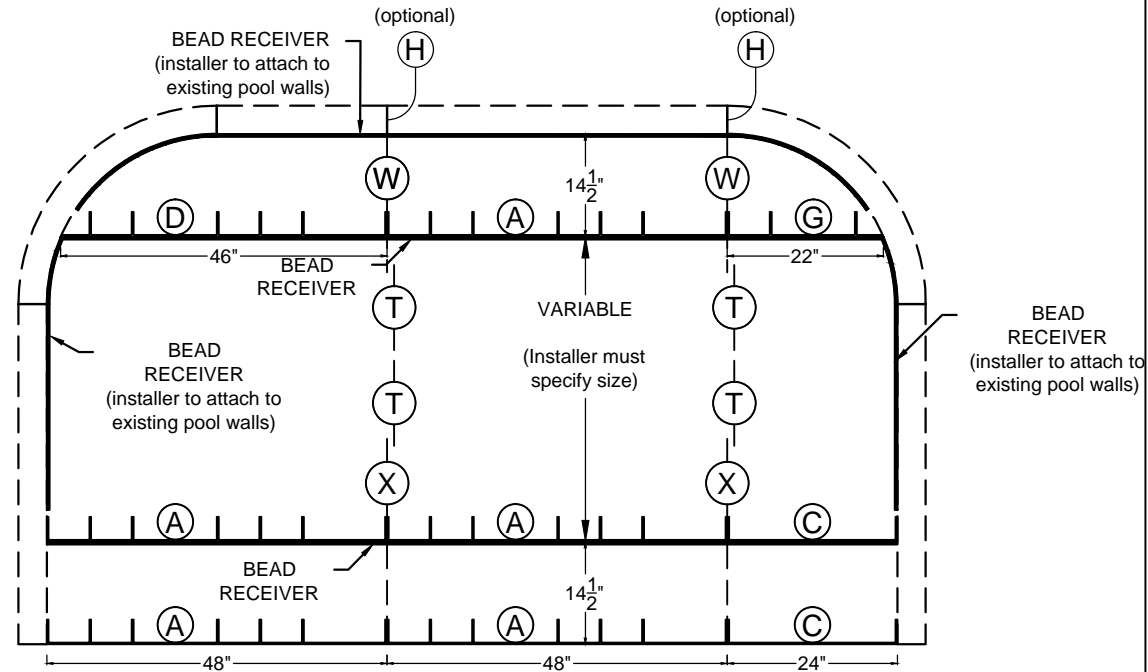
# Polymer

POOL SYSTEM

THIS STAIR / SUNDECK CONFORMS TO  
CURRENT *APSP/ANSI/ICC-5 2011* &  
*ISPS 2024* STANDARDS FOR  
RESIDENTIAL INGROUND SWIMMING  
POOLS

57

# 10' x 2'R Nexus Full End Stair w/ Variable Sundeck 42VS102R



# 42VS122R

Count	PART#	DESCRIPTION	LETTER
7	NSS136	48" Step Riser	(A)
1	NSS173R	46" Top Step Riser - RIGHT	(D)
1	NSS170L	46" Top Step Riser - LEFT	(E)
2	NSS107	42" Stair Brace Wall Insert	(H)
4	NSS308	36" Sundeck / Stair Brace Extension	(T)
2	NSS304	2 Piece Straight Stair Brace - Top Step	(W)
2	NSS305	2 Piece Straight Stair Brace - Bottom Step	(X)

### Included Stair Hardware

1	149271	3/8" x 18" Rebar - Bundle of 20	---
40	149664	3/8" Washer Head Hex Nut	---
40	149670	3/8" x 1 1/4" Washer Head Hex Bolt	---
40	42999	1 5/8" Clip Screw	---
1	TEK75	Tek Screws - Pack of 75	---
2	NSS111	Small Nexus L Clip	---
6	NSS1112	Large Nexus Brace Clip	---
7	NSS8BR	8' Bead Receiver	---

**NOTE:** This Modular Step Unit comes with Bead Receiver (NSS8BR) to accommodate sundecks up to 8' in width.

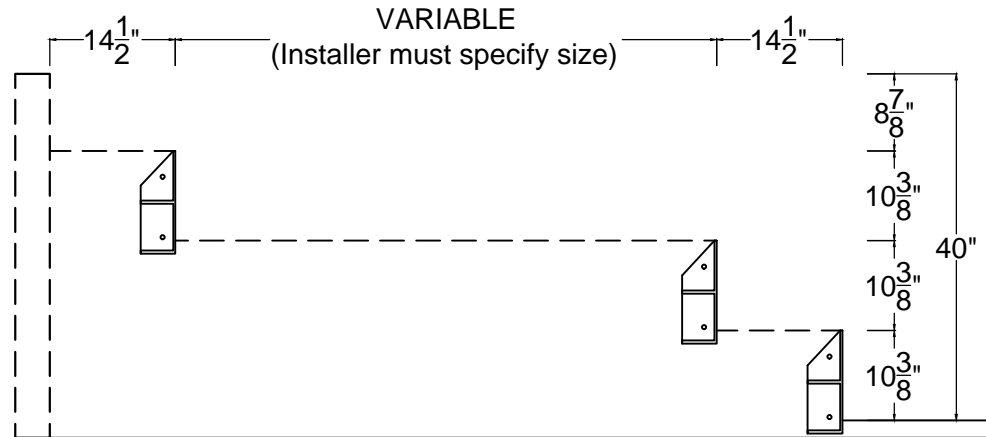
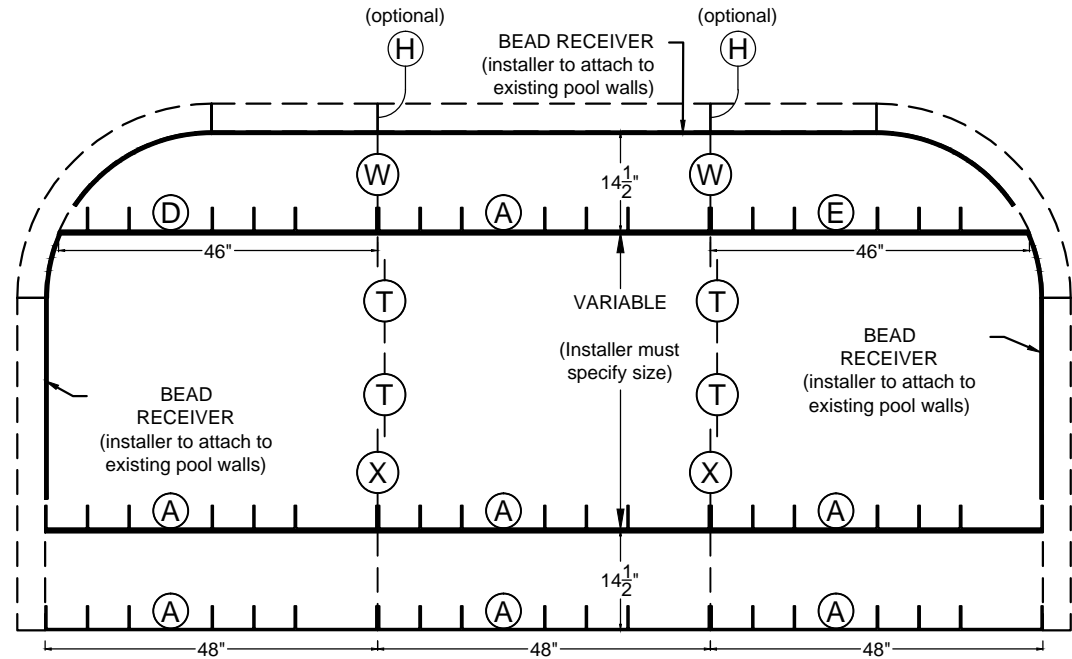
PLEASE PROVIDE SUNDECK  
SIZE FOR LINER PRODUCTION

42VS122R - \_\_\_\_" SD

- 1) Steel braces will be attached BETWEEN sections on step treads. End flanges on adjoining step risers will create a pocket to insert the steel brace.
- 2) Steel braces NSS304 & NSS305 bolted together will create the standard NSS147 brace for full end step units.
- 3) Installer must specify the measurement of the sundeck area to ensure proper liner fit.
- 4) This Modular Step Unit can be made with 6" Radius Corners by installing the optional 6"R foam corner insert (GLAUC4442NT). One required per feature that must be cut to size. **ALWAYS SPECIFY CORNERS WHEN ORDERING THE POOL AND LINER.**

**NOTES FOR INSTALLER:**  
PERIMETER PANELS WILL  
REQUIRE DRILLING HOLES  
TO ATTACH STEP RISERS

# 12' x 2'R Nexus Full End Stair w/ Variable Sundeck 42VS122R



**Imperial  
POOLS**

**Polymer**  
POOL SYSTEM

THIS STAIR / SUNDECK CONFORMS TO  
CURRENT *APSP/ANSI/ICC-5 2011* &  
*ISPS 2024* STANDARDS FOR  
RESIDENTIAL INGROUND SWIMMING  
POOLS

58

# 42VS142R

Count	PART#	DESCRIPTION	LETTER
8	NSS136	48" Step Riser	(A)
2	NSS169	24" Step Riser	(C)
1	NSS173R	46" Top Step Riser - RIGHT	(D)
1	NSS165L	22" Top Step Riser - LEFT	(G)
3	NSS107	42" Stair Brace Wall Insert	(H)
6	NSS308	36" Sundeck / Stair Brace Extension	(T)
3	NSS304	2 Piece Straight Stair Brace - Top Step	(W)
3	NSS305	2 Piece Straight Stair Brace - Bottom Step	(X)

### Included Stair Hardware

1	149271	3/8" x 18" Rebar - Bundle of 20	---
70	149664	3/8" Washer Head Hex Nut	---
70	149670	3/8" x 1 1/4" Washer Head Hex Bolt	---
40	42999	1 5/8" Clip Screw	---
1	TEK75	Tek Screws - Pack of 75	---
2	NSS111	Small Nexus L Clip	---
6	NSS1112	Large Nexus Brace Clip	---
8	NSS8BR	8' Bead Receiver	---

**NOTE:** This Modular Step Unit comes with Bead Receiver (NSS8BR) to accommodate sundecks up to 8' in width.

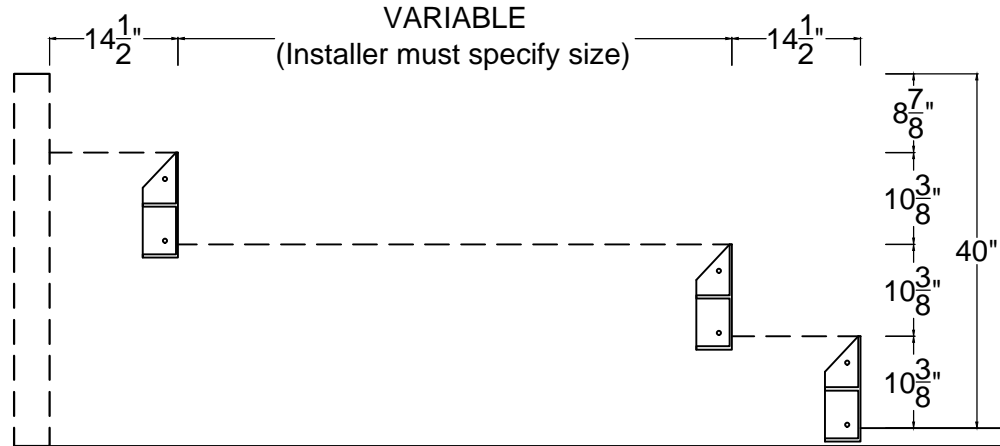
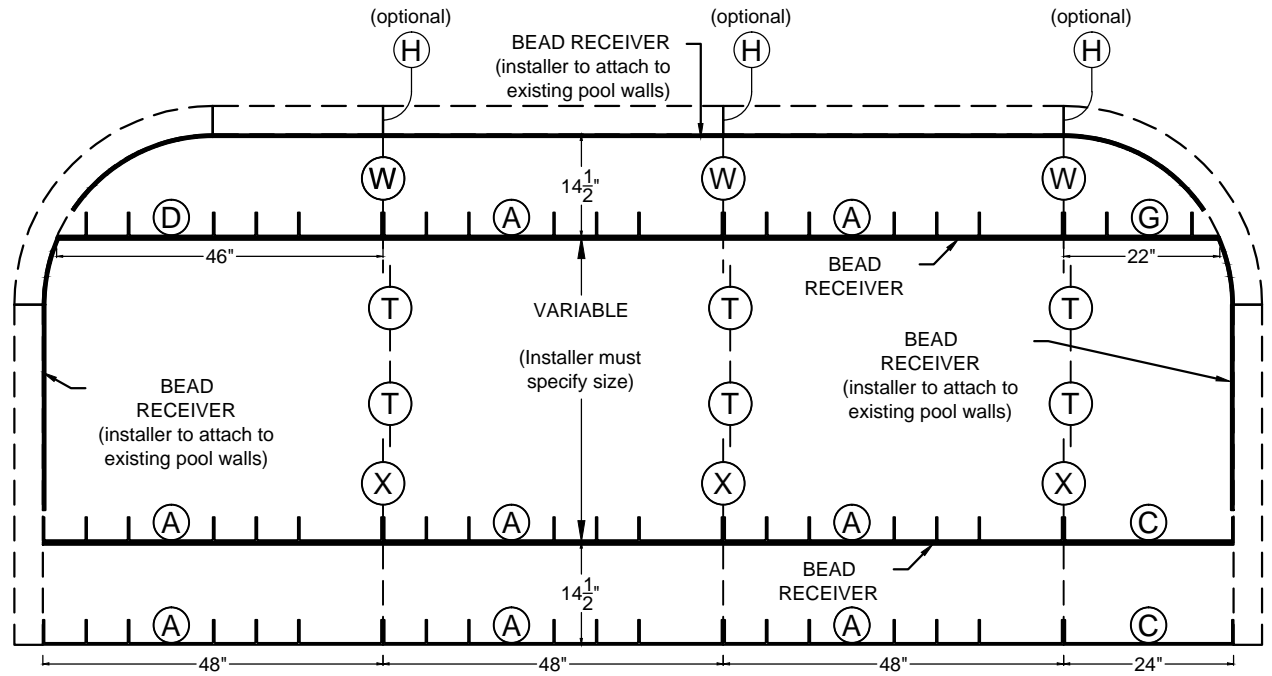
PLEASE PROVIDE SUNDECK  
SIZE FOR LINER PRODUCTION

42VS142R - \_\_\_\_" SD

- 1) Steel braces will be attached BETWEEN sections on step treads. End flanges on adjoining step risers will create a pocket to insert the steel brace.
- 2) Steel braces NSS304 & NSS305 bolted together will create the standard NSS147 brace for full end step units.
- 3) Installer must specify the measurement of the sundeck area to ensure proper liner fit.
- 4) This Modular Step Unit can be made with 6" Radius Corners by installing the optional 6"R foam corner insert (GLAUC4442NT). One required per feature that must be cut to size. **ALWAYS SPECIFY CORNERS WHEN ORDERING THE POOL AND LINER.**

**NOTES FOR INSTALLER:**  
PERIMETER PANELS WILL  
REQUIRE DRILLING HOLES  
TO ATTACH STEP RISERS

# 14' x 2'R Nexus Full End Stair w/ Variable Sundeck 42VS142R



**Imperial  
POOLS**

**Polymer**  
POOL SYSTEM

THIS STAIR / SUNDECK CONFORMS TO  
CURRENT *APSP/ANSI/ICC-5 2011* &  
*ISPS 2024* STANDARDS FOR  
RESIDENTIAL INGROUND SWIMMING  
POOLS

59

# 42VS162R

Count	PART#	DESCRIPTION	LETTER
10	NSS136	48" Step Riser	(A)
1	NSS173R	46" Top Step Riser - RIGHT	(D)
1	NSS170L	46" Top Step Riser - LEFT	(E)
3	NSS107	42" Stair Brace Wall Insert	(H)
6	NSS308	36" Sundeck / Stair Brace Extension	(T)
3	NSS304	2 Piece Straight Stair Brace - Top Step	(W)
3	NSS305	2 Piece Straight Stair Brace - Bottom Step	(X)

### Included Stair Hardware

1	149271	3/8" x 18" Rebar - Bundle of 20	---
70	149664	3/8" Washer Head Hex Nut	---
70	149670	3/8" x 1 1/4" Washer Head Hex Bolt	---
40	42999	1 5/8" Clip Screw	---
1	TEK75	Tek Screws - Pack of 75	---
2	NSS111	Small Nexus L Clip	---
6	NSS1112	Large Nexus Brace Clip	---
8	NSS8BR	8' Bead Receiver	---

**NOTE:** This Modular Step Unit comes with Bead Receiver (NSS8BR) to accommodate sundecks up to 8' in width.

PLEASE PROVIDE SUNDECK  
SIZE FOR LINER PRODUCTION

42VS162R - \_\_\_\_" SD

- 1) Steel braces will be attached BETWEEN sections on step treads. End flanges on adjoining step risers will create a pocket to insert the steel brace.
- 2) Steel braces NSS304 & NSS305 bolted together will create the standard NSS147 brace for full end step units.
- 3) Installer must specify the measurement of the sundeck area to ensure proper liner fit.
- 4) This Modular Step Unit can be made with 6" Radius Corners by installing the optional 6"R foam corner insert (GLAUC4442NT). One required per feature that must be cut to size. **ALWAYS SPECIFY CORNERS WHEN ORDERING THE POOL AND LINER.**

**NOTES FOR INSTALLER:**  
PERIMETER PANELS WILL  
REQUIRE DRILLING HOLES  
TO ATTACH STEP RISERS



# Imperial POOLS

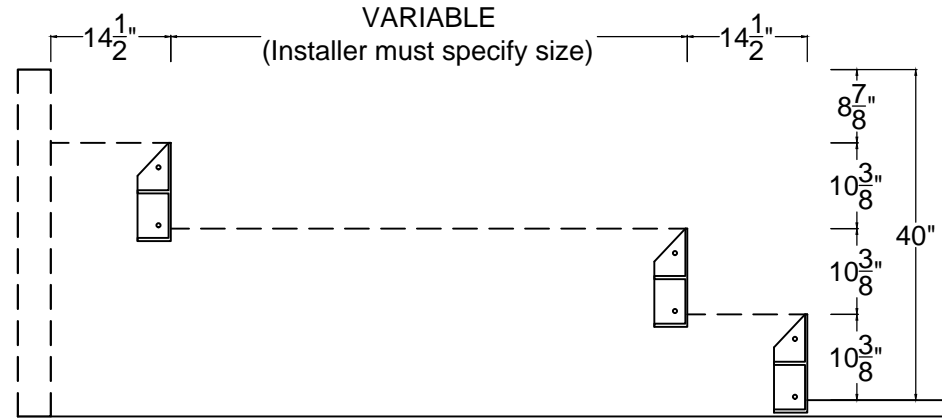
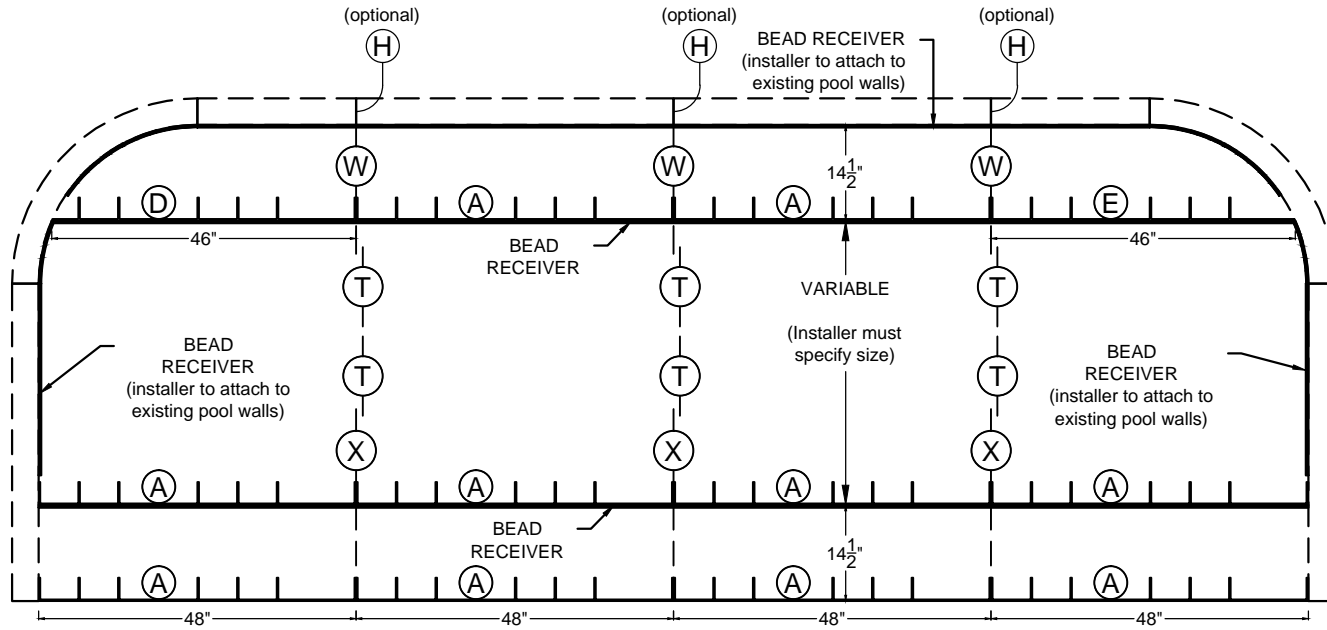
# Polymer

POOL SYSTEM

THIS STAIR / SUNDECK CONFORMS TO  
CURRENT *APSP/ANSI/ICC-5 2011* &  
*ISPC 2024* STANDARDS FOR  
RESIDENTIAL INGROUND SWIMMING  
POOLS

60

## 16' x 2'R Nexus Full End Stair w/ Variable Sundeck 42VS162R





# 42VS182R

Count	PART#	DESCRIPTION	LETTER
11	NSS136	48" Step Riser	(A)
2	NSS169	24" Step Riser	(C)
1	NSS173R	46" Top Step Riser - RIGHT	(D)
1	NSS165L	22" Top Step Riser - LEFT	(G)
4	NSS107	42" Stair Brace Wall Insert	(H)
8	NSS308	36" Sundeck / Stair Brace Extension	(T)
4	NSS304	2 Piece Straight Stair Brace - Top Step	(W)
4	NSS305	2 Piece Straight Stair Brace - Bottom Step	(X)

### Included Stair Hardware

1	149271	3/8" x 18" Rebar - Bundle of 20	---
70	149664	3/8" Washer Head Hex Nut	---
70	149670	3/8" x 1 1/4" Washer Head Hex Bolt	---
40	42999	1 5/8" Clip Screw	---
1	TEK75	Tek Screws - Pack of 75	---
2	NSS111	Small Nexus L Clip	---
6	NSS1112	Large Nexus Brace Clip	---
9	NSS8BR	8' Bead Receiver	---

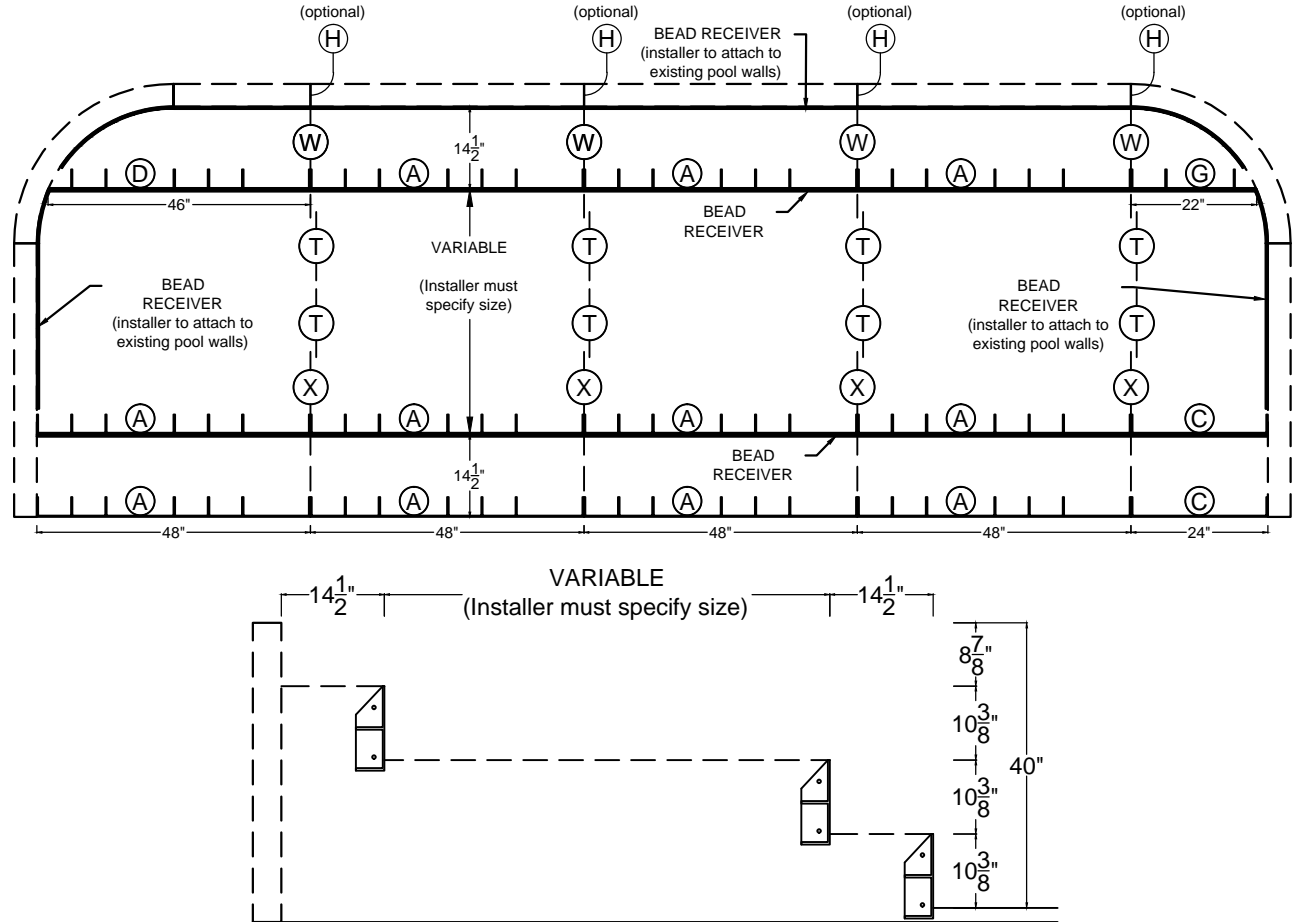
**NOTE:** This Modular Step Unit comes with Bead Receiver (NSS8BR) to accommodate sundecks up to 8' in width.

PLEASE PROVIDE SUNDECK  
SIZE FOR LINER PRODUCTION

## 42VS182R - \_\_\_\_" SD

- 1) Steel braces will be attached BETWEEN sections on step treads. End flanges on adjoining step risers will create a pocket to insert the steel brace.
- 2) Steel braces NSS304 & NSS305 bolted together will create the standard NSS147 brace for full end step units.
- 3) Installer must specify the measurement of the sundeck area to ensure proper liner fit.
- 4) This Modular Step Unit can be made with 6" Radius Corners by installing the optional 6"R foam corner insert (GLAUC4442NT). One required per feature that must be cut to size. **ALWAYS SPECIFY CORNERS WHEN ORDERING THE POOL AND LINER.**

## 18' x 2'R Nexus Full End Stair w/ Variable Sundeck 42VS182R



**NOTES FOR INSTALLER:**  
PERIMETER PANELS WILL  
REQUIRE DRILLING HOLES  
TO ATTACH STEP RISERS

 **Imperial  
POOLS**

**Polymer**  
POOL SYSTEM

THIS STAIR / SUNDECK CONFORMS TO  
CURRENT *APSP/ANSI/ICC-5 2011* &  
*ISPS 2024* STANDARDS FOR  
RESIDENTIAL INGROUND SWIMMING  
POOLS

61

# 42VS202R

Count	PART#	DESCRIPTION	LETTER
13	NSS136	48" Step Riser	(A)
1	NSS173R	46" Top Step Riser - RIGHT	(D)
1	NSS170L	46" Top Step Riser - LEFT	(E)
4	NSS107	42" Stair Brace Wall Insert	(H)
8	NSS308	36" Sundeck / Stair Brace Extension	(T)
4	NSS304	2 Piece Straight Stair Brace - Top Step	(W)
4	NSS305	2 Piece Straight Stair Brace - Bottom Step	(X)

### Included Stair Hardware

1	149271	3/8" x 18" Rebar - Bundle of 20	---
75	149664	3/8" Washer Head Hex Nut	---
75	149670	3/8" x 1 1/4" Washer Head Hex Bolt	---
40	42999	1 5/8" Clip Screw	---
1	TEK75	Tek Screws - Pack of 75	---
2	NSS111	Small Nexus L Clip	---
6	NSS112	Large Nexus Brace Clip	---
10	NSS8BR	8' Bead Receiver	---

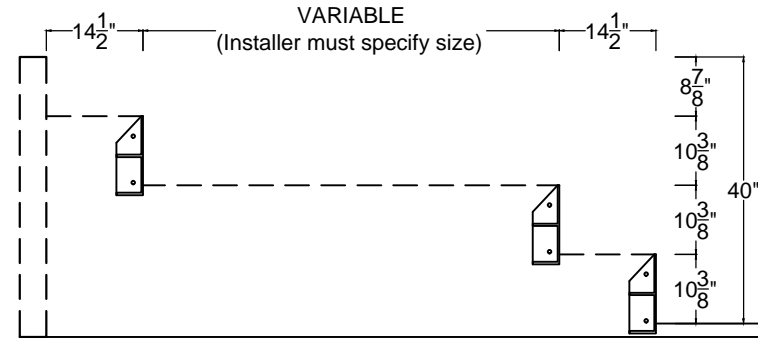
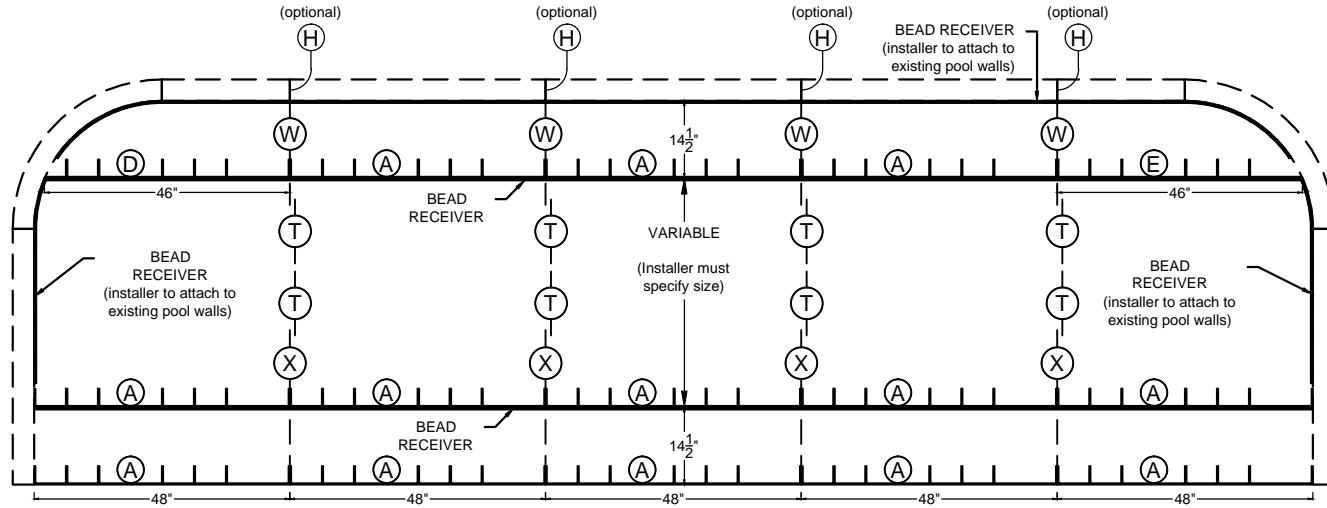
**NOTE:** This Modular Step Unit comes with Bead Receiver (NSS8BR) to accommodate sundecks up to 8' in width.

PLEASE PROVIDE SUNDECK  
SIZE FOR LINER PRODUCTION

42VS202R - \_\_\_\_" SD

- 1) Steel braces will be attached BETWEEN sections on step treads. End flanges on adjoining step risers will create a pocket to insert the steel brace.
- 2) Steel braces NSS304 & NSS305 bolted together will create the standard NSS147 brace for full end step units.
- 3) Installer must specify the measurement of the sundeck area to ensure proper liner fit.
- 4) This Modular Step Unit can be made with 6" Radius Corners by installing the optional 6"R foam corner insert (GLAUC4442NT). One required per feature that must be cut to size. **ALWAYS SPECIFY CORNERS WHEN ORDERING THE POOL AND LINER.**

## 20' x 2'R Nexus Full End Stair w/ Variable Sundeck 42VS202R



**NOTES FOR INSTALLER:**  
PERIMETER PANELS WILL  
REQUIRE DRILLING HOLES  
TO ATTACH STEP RISERS



**Polymer**  
POOL SYSTEM

THIS STAIR / SUNDECK CONFORMS TO  
CURRENT *APSP/ANSI/ICC-5 2011* &  
*ISPS 2024* STANDARDS FOR  
RESIDENTIAL INGROUND SWIMMING  
POOLS

62

# 42SS162R-0808-08RB

# 16' x 2'R Nexus Side-by-Side w/ 8' Stair & 8' x 8' Sundeck Right 42SS162R-0808-08RB

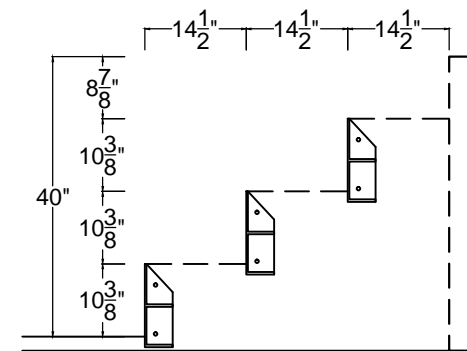
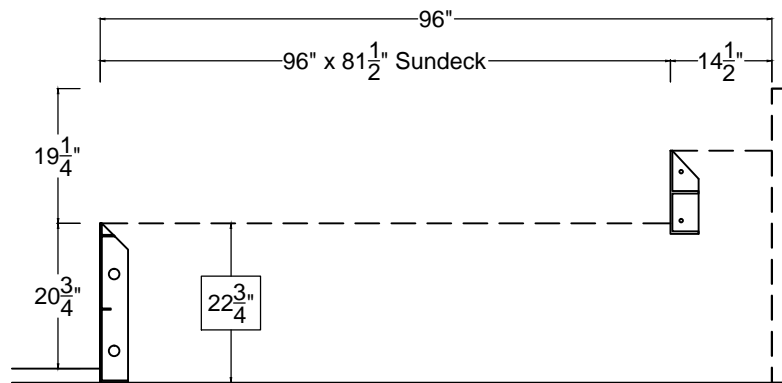
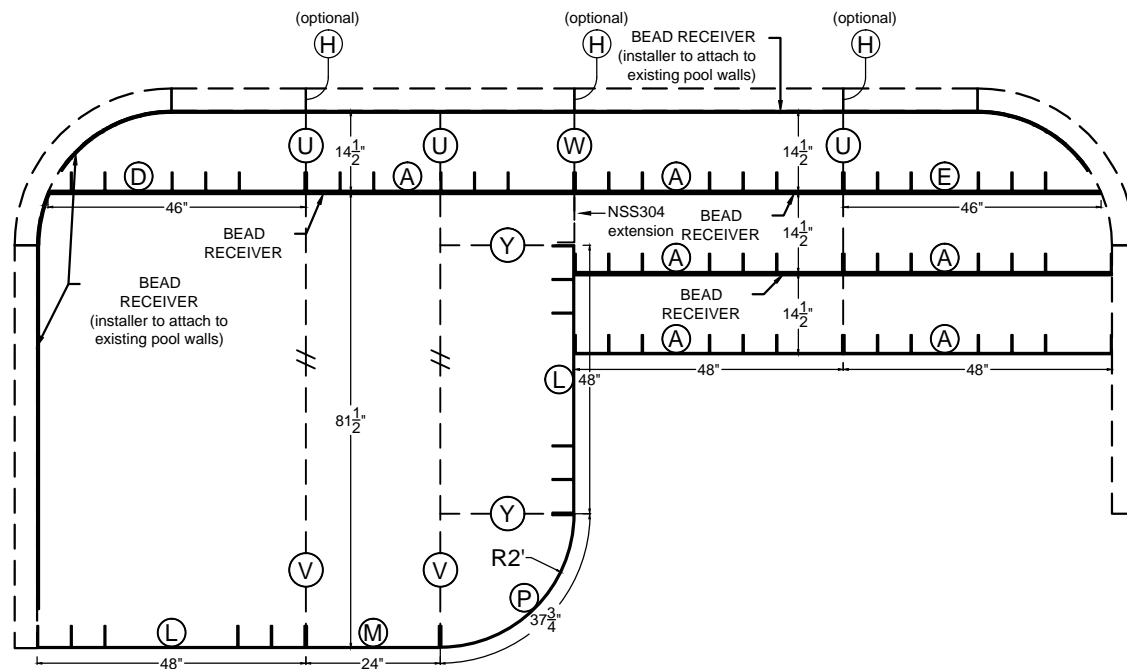
Count	PART#	DESCRIPTION	LETTER
6	NSS136	48" Step Riser	(A)
1	NSS173R	46" Top Step Riser - RIGHT	(D)
1	NSS170L	46" Top Step Riser - LEFT	(E)
3	NSS107	42" Stair Brace Wall Insert	(H)
2	NSS300	48" Sundeck / Bench Riser	(L)
1	NSS302	24" Sundeck / Bench Riser	(M)
1	NSS303	2'RR Sundeck / Bench Riser	(P)
3	NSS147	Straight Stair Brace - 14.5" Tread	(U)
2	NSS150	Variable Sundeck Brace	(V)
1	NSS304	2 Piece Straight Stair Brace - Top Step	(W)
2	NSS306 (04N296-3)	24" Sundeck / Bench Brace	(Y)

### Included Stair Hardware

1	149271	3/8" x 18" Rebar - Bundle of 20	---
70	149664	3/8" Washer Head Hex Nut	---
70	149670	3/8" x 1 1/4" Washer Head Hex Bolt	---
40	42999	1 5/8" Clip Screw	---
1	TEK75	Tek Screws - Pack of 75	---
2	NSS111	Small Nexus L Clip	---
6	NSS1112	Large Nexus Brace Clip	---
6	NSS8BR	8' Bead Receiver	---

### Vinyl Works Liner Special Feature Item Numbers VW42SS162R-0808-08RB

- Steel braces will be attached BETWEEN sections on step treads. End flanges on adjoining step risers will create a pocket to insert the steel brace.
- Steel braces NSS304 & NSS305 bolted together will create the standard NSS147 brace for full end step units.
- Installer must specify the measurement of the sundeck area to ensure proper liner fit.
- This Modular Step Unit can be made with 6" Radius Corners by installing the optional 6"R foam corner insert (GLAUC4442NT). One required per feature that must be cut to size. **ALWAYS SPECIFY CORNERS WHEN ORDERING THE POOL AND LINER.**



**NOTES FOR INSTALLER:**  
PERIMETER PANELS WILL REQUIRE DRILLING HOLES TO ATTACH STEP RISERS



# Imperial POOLS

# Polymer POOL SYSTEM

THIS STAIR / SUNDECK CONFORMS TO CURRENT *APSP/ANSI/ICC-5 2011* & *ISPS 2024* STANDARDS FOR RESIDENTIAL INGROUND SWIMMING POOLS

63

# 42SS162R-0808-08LB

## 16' x 2'R Nexus Side-by-Side w/ 8' Stair & 8' x 8' Sundeck Left 42SS162R-0808-08LB

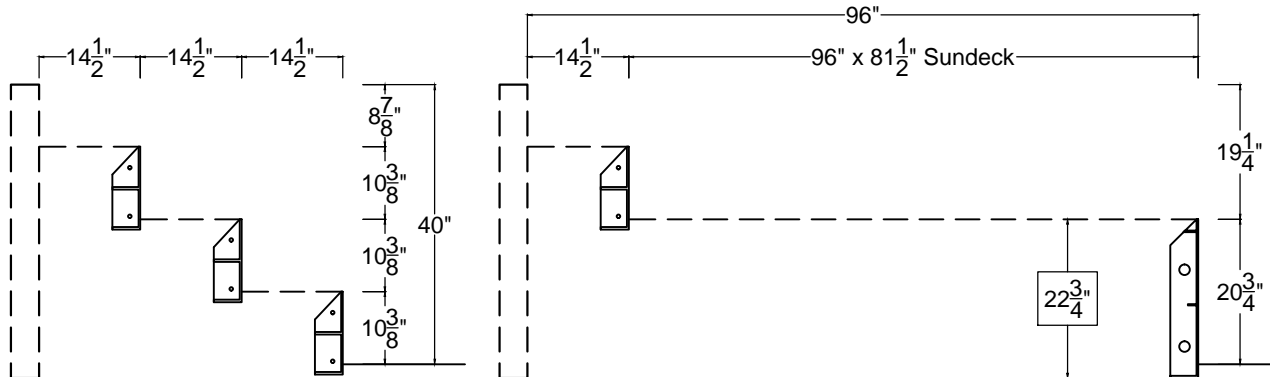
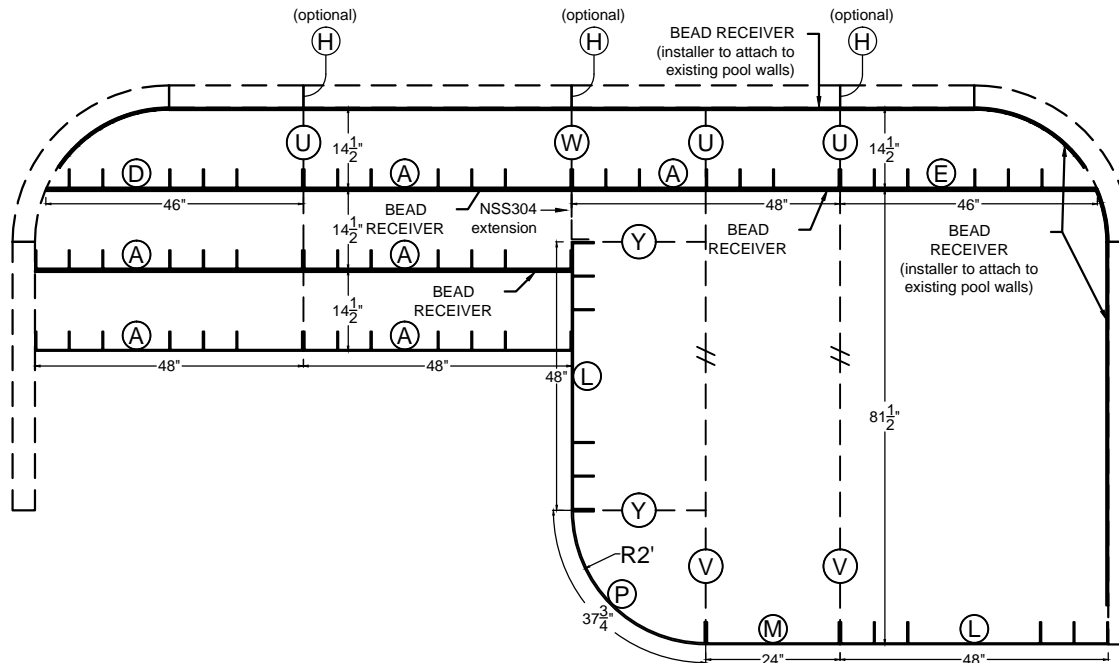
Count	PART#	DESCRIPTION	LETTER
6	NSS136	48" Step Riser	(A)
1	NSS173R	46" Top Step Riser - RIGHT	(D)
1	NSS170L	46" Top Step Riser - LEFT	(E)
3	NSS107	42" Stair Brace Wall Insert	(H)
2	NSS300	48" Sundeck / Bench Riser	(L)
1	NSS302	24" Sundeck / Bench Riser	(M)
1	NSS303	2'RR Sundeck / Bench Riser	(P)
3	NSS147	Straight Stair Brace - 14.5" Tread	(U)
2	NSS150	Variable Sundeck Brace	(V)
1	NSS304	2 Piece Straight Stair Brace - Top Step	(W)
2	NSS306 (04N296-3)	24" Sundeck / Bench Brace	(Y)

### Included Stair Hardware

1	149271	3/8" x 18" Rebar - Bundle of 20	---
70	149664	3/8" Washer Head Hex Nut	---
70	149670	3/8" x 1 1/4" Washer Head Hex Bolt	---
40	42999	1 5/8" Clip Screw	---
1	TEK75	Tek Screws - Pack of 75	---
2	NSS111	Small Nexus L Clip	---
6	NSS1112	Large Nexus Brace Clip	---
6	NSS8BR	8' Bead Receiver	---

### Vinyl Works Liner Special Feature Item Numbers VW42SS162R-0808-08LB

- Steel braces will be attached BETWEEN sections on step treads. End flanges on adjoining step risers will create a pocket to insert the steel brace.
- Steel braces NSS304 & NSS305 bolted together will create the standard NSS147 brace for full end step units.
- Installer must specify the measurement of the sundeck area to ensure proper liner fit.
- This Modular Step Unit can be made with 6" Radius Corners by installing the optional 6"R foam corner insert (GLAUC4442NT). One required per feature that must be cut to size. **ALWAYS SPECIFY CORNERS WHEN ORDERING THE POOL AND LINER.**



**NOTES FOR INSTALLER:**  
PERIMETER PANELS WILL REQUIRE DRILLING HOLES TO ATTACH STEP RISERS



**Polymer**  
POOL SYSTEM

THIS STAIR / SUNDECK CONFORMS TO CURRENT *APSP/ANSI/ICC-5 2011* & *ISPS 2024* STANDARDS FOR RESIDENTIAL INGROUND SWIMMING POOLS

64

# 42SS162R-0808-06RB

Count	PART#	DESCRIPTION	LETTER
6	NSS136	48" Step Riser	(A)
1	NSS173R	46" Top Step Riser - RIGHT	(D)
1	NSS170L	46" Top Step Riser - LEFT	(E)
3	NSS107	42" Stair Brace Wall Insert	(H)
1	NSS300	48" Sundeck / Bench Riser	(L)
2	NSS302	24" Sundeck / Bench Riser	(M)
1	NSS303	2"RR Sundeck / Bench Riser	(P)
3	NSS147	Straight Stair Brace - 14.5" Tread	(U)
2	NSS150	Variable Sundeck Brace	(V)
1	NSS304	2 Piece Straight Stair Brace - Top Step	(W)
2	NSS306 (04N296-3)	24" Sundeck / Bench Brace	(Y)

### Included Stair Hardware

1	149271	3/8" x 18" Rebar - Bundle of 20	---
70	149664	3/8" Washer Head Hex Nut	---
70	149670	3/8" x 1 1/4" Washer Head Hex Bolt	---
40	42999	1 5/8" Clip Screw	---
1	TEK75	Tek Screws - Pack of 75	---
2	NSS111	Small Nexus L Clip	---
6	NSS1112	Large Nexus Brace Clip	---
6	NSS8BR	8' Bead Receiver	---

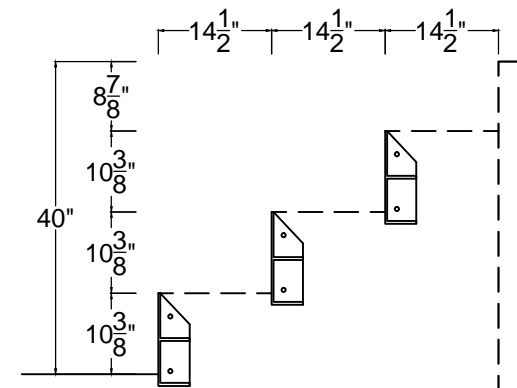
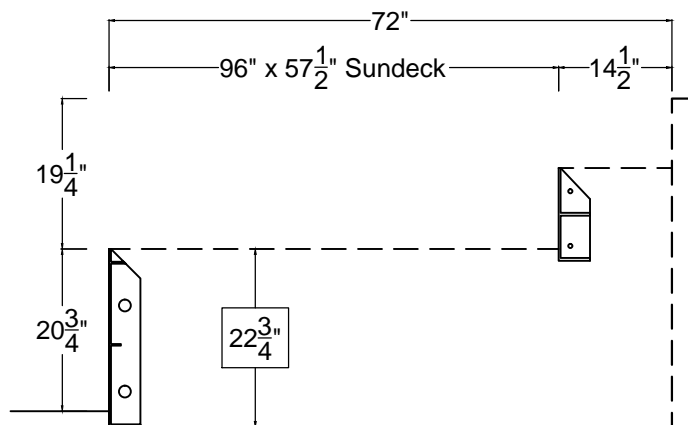
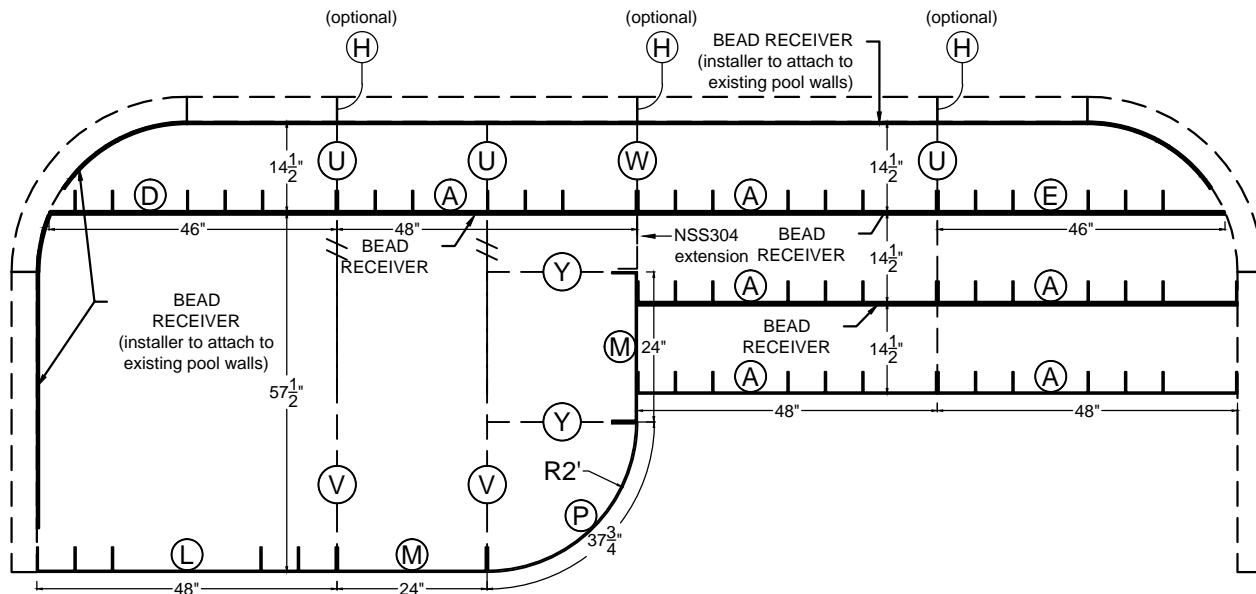
### Vinyl Works Liner Special Feature Item Numbers

**VW42SS162R-0808-06RB**

- 1) Steel braces will be attached BETWEEN sections on step treads. End flanges on adjoining step risers will create a pocket to insert the steel brace.
- 2) Steel braces NSS304 & NSS305 bolted together will create the standard NSS147 brace for full end step units.
- 3) Installer must specify the measurement of the sundeck area to ensure proper liner fit.
- 4) This Modular Step Unit can be made with 6" Radius Corners by installing the optional 6"R foam corner insert (GLAUC4442NT). One required per feature that must be cut to size. **ALWAYS SPECIFY CORNERS WHEN ORDERING THE POOL AND LINER.**

## 16' x 2'R Nexus Side-by-Side w/ 8' Stair & 8' x 6' Sundeck Right

### 42SS162R-0808-06RB



**NOTES FOR INSTALLER:**  
PERIMETER PANELS WILL REQUIRE DRILLING HOLES TO ATTACH STEP RISERS



# Imperial POOLS

## Polymer POOL SYSTEM

THIS STAIR / SUNDECK CONFORMS TO CURRENT *APSP/ANSI/ICC-5 2011* & *ISPS 2024* STANDARDS FOR RESIDENTIAL INGROUND SWIMMING POOLS

65

# 42SS162R-0808-06LB

Count	PART#	DESCRIPTION	LETTER
6	NSS136	48" Step Riser	(A)
1	NSS173R	46" Top Step Riser - RIGHT	(D)
1	NSS170L	46" Top Step Riser - LEFT	(E)
3	NSS107	42" Stair Brace Wall Insert	(H)
1	NSS300	48" Sundeck / Bench Riser	(L)
2	NSS302	24" Sundeck / Bench Riser	(M)
1	NSS303	2"RR Sundeck / Bench Riser	(P)
3	NSS147	Straight Stair Brace - 14.5" Tread	(U)
2	NSS150	Variable Sundeck Brace	(V)
1	NSS304	2 Piece Straight Stair Brace - Top Step	(W)
2	NSS306 (04N296-3)	24" Sundeck / Bench Brace	(Y)

### Included Stair Hardware

1	149271	3/8" x 18" Rebar - Bundle of 20	---
70	149664	3/8" Washer Head Hex Nut	---
70	149670	3/8" x 1 1/4" Washer Head Hex Bolt	---
40	42999	1 5/8" Clip Screw	---
1	TEK75	Tek Screws - Pack of 75	---
2	NSS111	Small Nexus L Clip	---
6	NSS1112	Large Nexus Brace Clip	---
6	NSS8BR	8" Bead Receiver	---

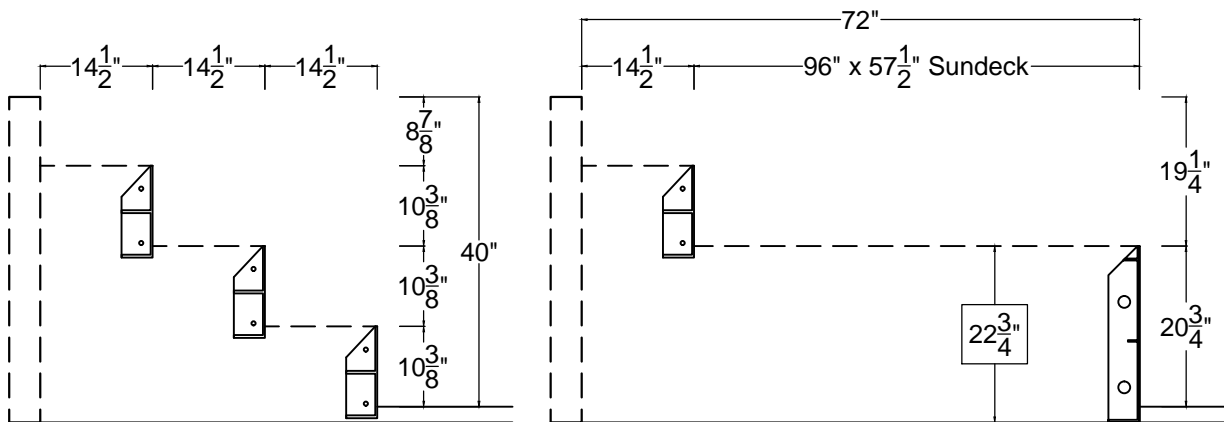
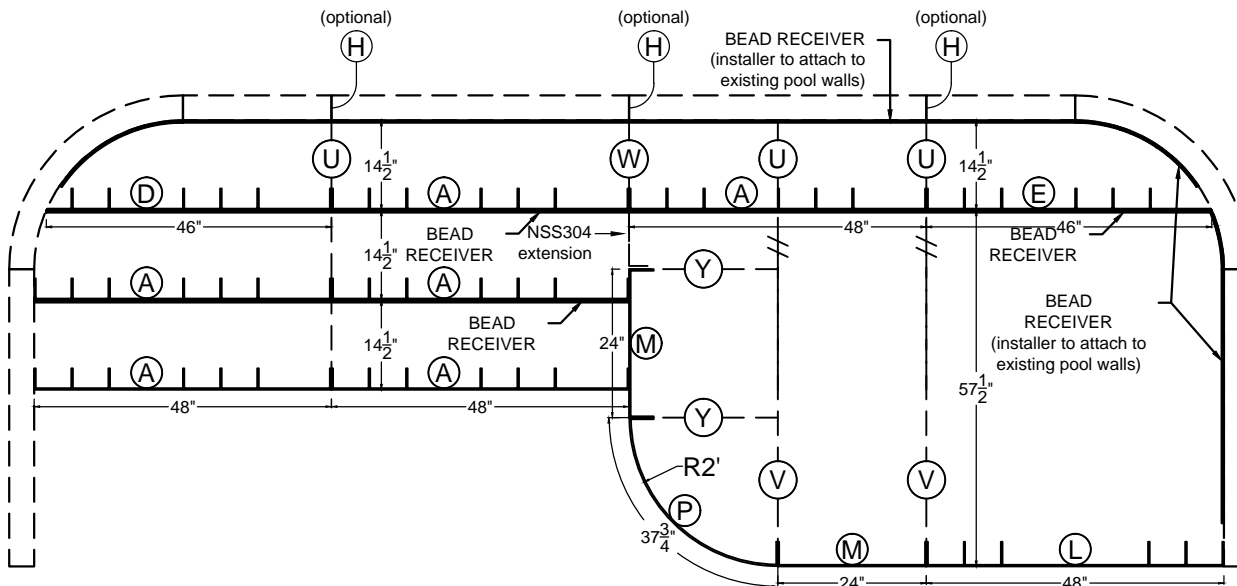
### Vinyl Works Liner Special Feature Item Numbers

**VW42SS162R-0808-06LB**

- 1) Steel braces will be attached BETWEEN sections on step treads. End flanges on adjoining step risers will create a pocket to insert the steel brace.
- 2) Steel braces NSS304 & NSS305 bolted together will create the standard NSS147 brace for full end step units.
- 3) Installer must specify the measurement of the sundeck area to ensure proper liner fit.
- 4) This Modular Step Unit can be made with 6" Radius Corners by installing the optional 6"R foam corner insert (GLAUC4442NT). One required per feature that must be cut to size. **ALWAYS SPECIFY CORNERS WHEN ORDERING THE POOL AND LINER.**

## 16' x 2'R Nexus Side-by-Side w/ 8' Stair & 8' x 6' Sundeck Left

### 42SS162R-0808-06LB



**NOTES FOR INSTALLER:**  
PERIMETER PANELS WILL REQUIRE DRILLING HOLES TO ATTACH STEP RISERS



# Imperial POOLS

## Polymer POOL SYSTEM

THIS STAIR / SUNDECK CONFORMS TO CURRENT *APSP/ANSI/ICC-5 2011* & *ISPS 2024* STANDARDS FOR RESIDENTIAL INGROUND SWIMMING POOLS

66

# 42SS162R-0610-08RB

## 16' x 2'R Nexus Side-by-Side w/ 6' Stair & 10' x 8' Sundeck Right 42SS162R-0610-08RB

Count	PART#	DESCRIPTION	LETTER
4	NSS136	48" Step Riser	(A)
3	NSS169	24" Step Riser	(C)
1	NSS173R	46" Top Step Riser - RIGHT	(D)
1	NSS165L	22" Top Step Riser - LEFT	(G)
4	NSS107	42" Stair Brace Wall Insert	(H)
3	NSS300	48" Sundeck / Bench Riser	(L)
1	NSS303	2'RR Sundeck / Bench Riser	(P)
3	NSS147	Straight Stair Brace - 14.5" Tread	(U)
2	NSS150	Variable Sundeck Brace	(V)
1	NSS304	2 Piece Straight Stair Brace - Top Step	(W)
2	NSS306 (04N296-3)	24" Sundeck / Bench Brace	(Y)

### Included Stair Hardware

1	149271	3/8" x 18" Rebar - Bundle of 20	---
70	149664	3/8" Washer Head Hex Nut	---
70	149670	3/8" x 1 1/4" Washer Head Hex Bolt	---
40	42999	1 5/8" Clip Screw	---
1	TEK75	Tek Screws - Pack of 75	---
2	NSS111	Small Nexus L Clip	---
6	NSS1112	Large Nexus Brace Clip	---
6	NSS8BR	8' Bead Receiver	---

### Vinyl Works Liner Special Feature Item Numbers

**VW42SS162R-0610-08RB**

- 1) Steel braces will be attached BETWEEN sections on step treads. End flanges on adjoining step risers will create a pocket to insert the steel brace.
- 2) Steel braces NSS304 & NSS305 bolted together will create the standard NSS147 brace for full end step units.
- 3) Installer must specify the measurement of the sundeck area to ensure proper liner fit.
- 4) This Modular Step Unit can be made with 6" Radius Corners by installing the optional 6"R foam corner insert (GLAUC4442NT). One required per feature that must be cut to size. **ALWAYS SPECIFY CORNERS WHEN ORDERING THE POOL AND LINER.**



**NOTES FOR INSTALLER:**  
PERIMETER PANELS WILL REQUIRE DRILLING HOLES TO ATTACH STEP RISERS



# Imperial POOLS

## Polymer POOL SYSTEM

THIS STAIR / SUNDECK CONFORMS TO CURRENT *APSP/ANSI/ICC-5 2011* & *ISPSA 2024* STANDARDS FOR RESIDENTIAL INGROUND SWIMMING POOLS

67

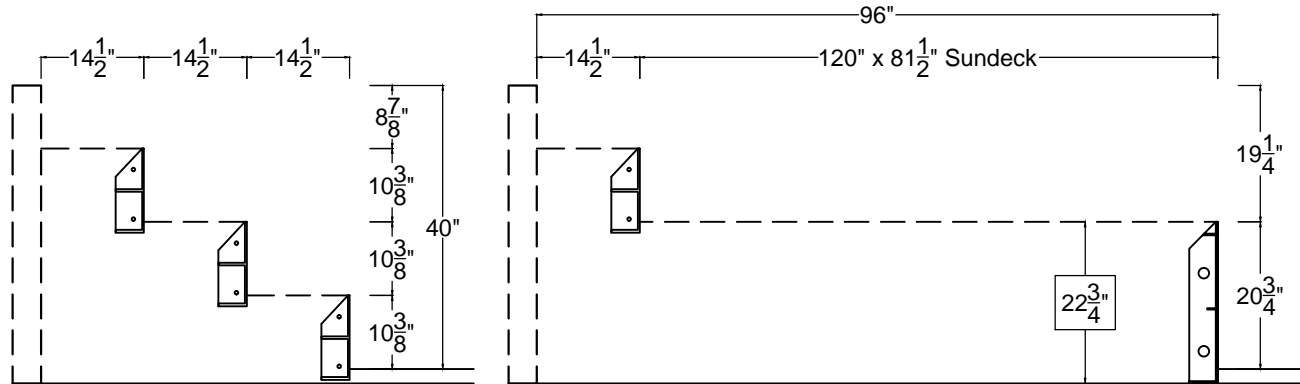
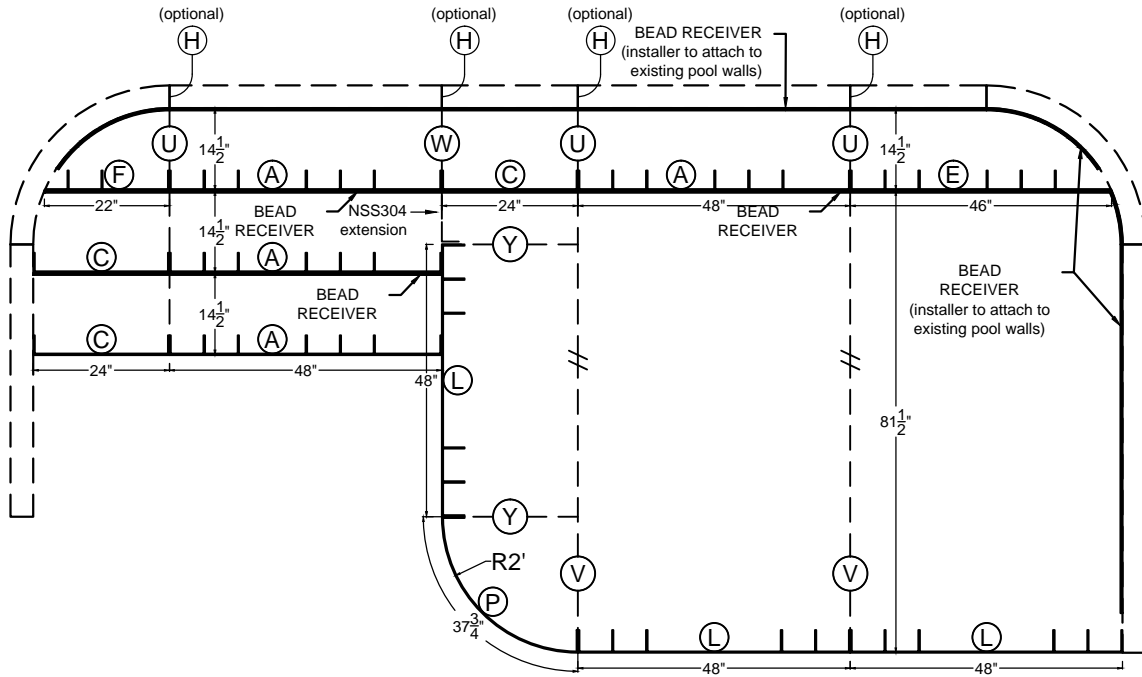
# 42SS162R-0610-08LB

## 16' x 2'R Nexus Side-by-Side w/ 6' Stair & 10' x 8' Sundeck Left 42SS162R-0610-08LB

Count	PART#	DESCRIPTION	LETTER
4	NSS136	48" Step Riser	(A)
3	NSS169	24" Step Riser	(C)
1	NSS170L	46" Top Step Riser - LEFT	(E)
1	NSS162R	22" Top Step Riser - RIGHT	(F)
4	NSS107	42" Stair Brace Wall Insert	(H)
3	NSS300	48" Sundeck / Bench Riser	(L)
1	NSS303	2'RR Sundeck / Bench Riser	(P)
3	NSS147	Straight Stair Brace - 14.5" Tread	(U)
2	NSS150	Variable Sundeck Brace	(V)
1	NSS304	2 Piece Straight Stair Brace - Top Step	(W)
2	NSS306 (04N296-3)	24" Sundeck / Bench Brace	(Y)

### Included Stair Hardware

1	149271	3/8" x 18" Rebar - Bundle of 20	---
70	149664	3/8" Washer Head Hex Nut	---
70	149670	3/8" x 1 1/4" Washer Head Hex Bolt	---
40	42999	1 5/8" Clip Screw	---
1	TEK75	Tek Screws - Pack of 75	---
2	NSS111	Small Nexus L Clip	---
6	NSS1112	Large Nexus Brace Clip	---
6	NSS8BR	8' Bead Receiver	---



### Vinyl Works Liner Special Feature Item Numbers VW42SS162R-0610-08LB

- 1) Steel braces will be attached BETWEEN sections on step treads. End flanges on adjoining step risers will create a pocket to insert the steel brace.
- 2) Steel braces NSS304 & NSS305 bolted together will create the standard NSS147 brace for full end step units.
- 3) Installer must specify the measurement of the sundeck area to ensure proper liner fit.
- 4) This Modular Step Unit can be made with 6" Radius Corners by installing the optional 6"R foam corner insert (GLAUC4442NT). One required per feature that must be cut to size. **ALWAYS SPECIFY CORNERS WHEN ORDERING THE POOL AND LINER.**

**NOTES FOR INSTALLER:**  
PERIMETER PANELS WILL REQUIRE DRILLING HOLES TO ATTACH STEP RISERS



**Polymer**  
POOL SYSTEM

THIS STAIR / SUNDECK CONFORMS TO CURRENT APSP/ANSI/ICC-5 2011 & ISPSC 2024 STANDARDS FOR RESIDENTIAL INGROUND SWIMMING POOLS



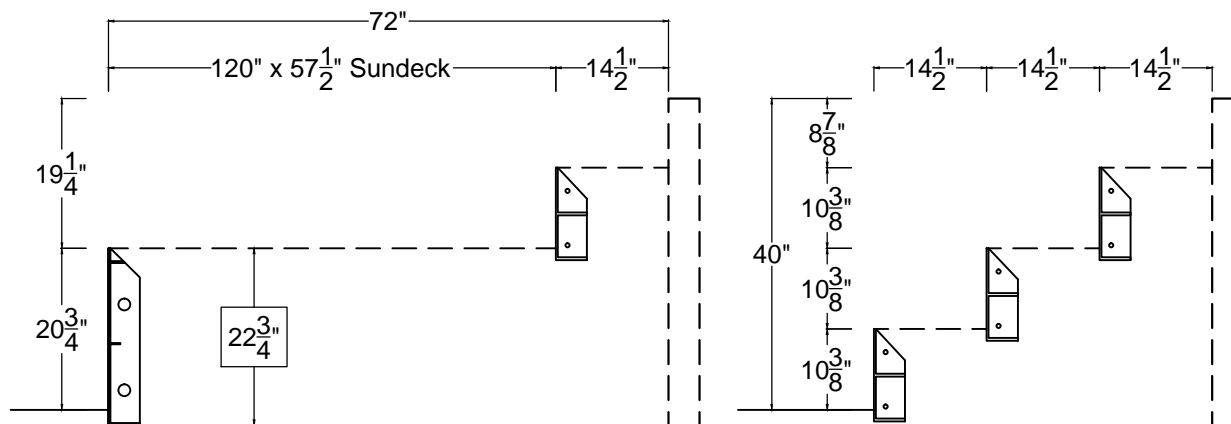
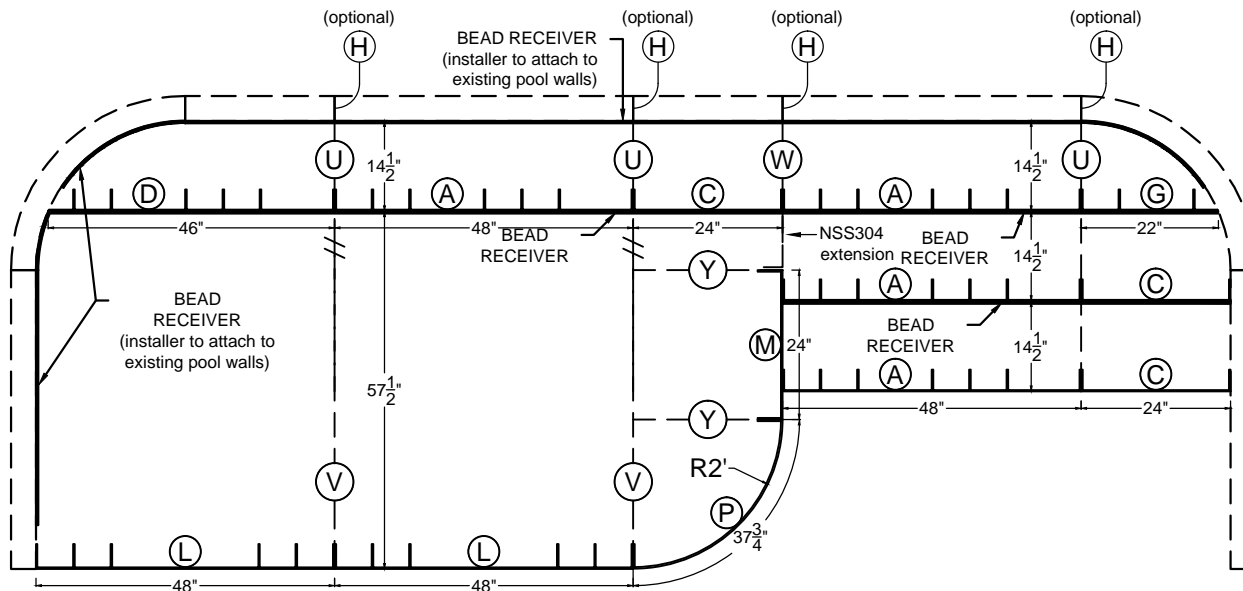
# 42SS162R-0610-06RB

# 16' x 2'R Nexus Side-by-Side w/ 6' Stair & 10' x 6' Sundeck Right 42SS162R-0610-06RB

Count	PART#	DESCRIPTION	LETTER
4	NSS136	48" Step Riser	(A)
3	NSS169	24" Step Riser	(C)
1	NSS173R	46" Top Step Riser - RIGHT	(D)
1	NSS165L	22" Top Step Riser - LEFT	(G)
4	NSS107	42" Stair Brace Wall Insert	(H)
2	NSS300	48" Sundeck / Bench Riser	(L)
1	NSS302	24" Sundeck / Bench Riser	(M)
1	NSS303	2'RR Sundeck / Bench Riser	(P)
3	NSS147	Straight Stair Brace - 14.5" Tread	(U)
2	NSS150	Variable Sundeck Brace	(V)
1	NSS304	2 Piece Straight Stair Brace - Top Step	(W)
2	NSS306 (04N296-3)	24" Sundeck / Bench Brace	(Y)

### Included Stair Hardware

1	149271	3/8" x 18" Rebar - Bundle of 20	---
70	149664	3/8" Washer Head Hex Nut	---
40	149670	3/8" x 1 1/4" Washer Head Hex Bolt	---
40	42999	1 5/8" Clip Screw	---
1	TEK75	Tek Screws - Pack of 75	---
2	NSS111	Small Nexus L Clip	---
6	NSS1112	Large Nexus Brace Clip	---
6	NSS8BR	8' Bead Receiver	---



### Vinyl Works Liner Special Feature Item Numbers

### VW42SS162R-0610-06RB

- 1) Steel braces will be attached BETWEEN sections on step treads. End flanges on adjoining step risers will create a pocket to insert the steel brace.
- 2) Steel braces NSS304 & NSS305 bolted together will create the standard NSS147 brace for full end step units.
- 3) Installer must specify the measurement of the sundeck area to ensure proper liner fit.
- 4) This Modular Step Unit can be made with 6" Radius Corners by installing the optional 6"R foam corner insert (GLAUC4442NT). One required per feature that must be cut to size. **ALWAYS SPECIFY CORNERS WHEN ORDERING THE POOL AND LINER.**

**NOTES FOR INSTALLER:**  
PERIMETER PANELS WILL REQUIRE DRILLING HOLES TO ATTACH STEP RISERS



# Imperial POOLS

# Polymer

POOL SYSTEM

THIS STAIR / SUNDECK CONFORMS TO CURRENT *APSP/ANSI/ICC-5 2011* & *ISPS 2024* STANDARDS FOR RESIDENTIAL INGROUND SWIMMING POOLS

69

# 42SS162R-0610-06LB

Count	PART#	DESCRIPTION	LETTER
4	NSS136	48" Step Riser	(A)
3	NSS169	24" Step Riser	(C)
1	NSS170L	46" Top Step Riser - LEFT	(E)
1	NSS162R	22" Top Step Riser - RIGHT	(F)
4	NSS107	42" Stair Brace Wall Insert	(H)
2	NSS300	48" Sundeck / Bench Riser	(L)
1	NSS302	24" Sundeck / Bench Riser	(M)
1	NSS303	2'RR Sundeck / Bench Riser	(P)
3	NSS147	Straight Stair Brace - 14.5" Tread	(U)
2	NSS150	Variable Sundeck Brace	(V)
1	NSS304	2 Piece Straight Stair Brace - Top Step	(W)
2	NSS306 (04N296-3)	24" Sundeck / Bench Brace	(Y)

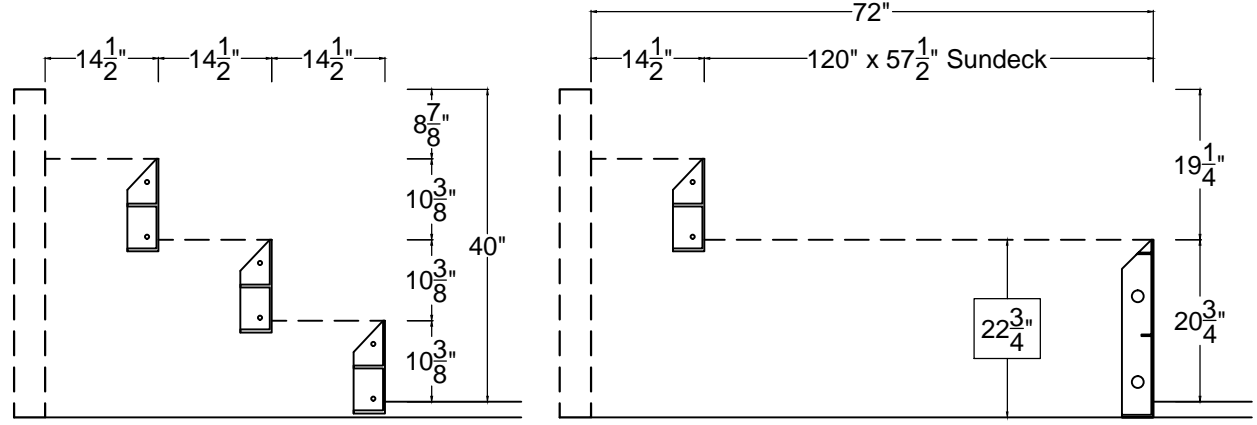
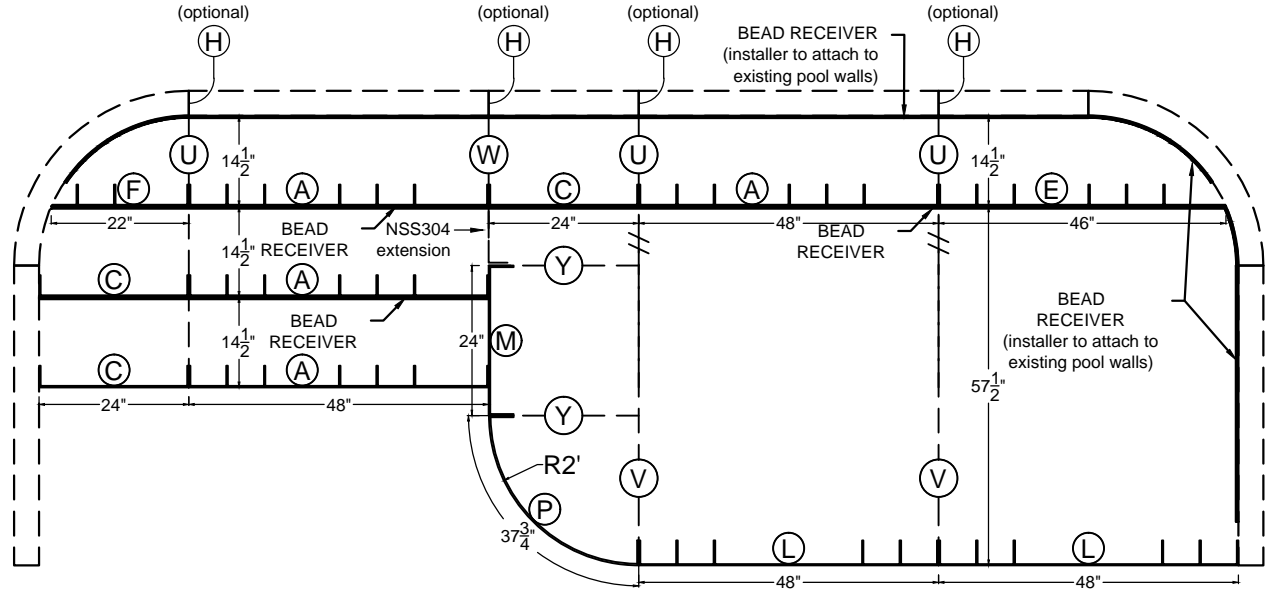
### Included Stair Hardware

1	149271	3/8" x 18" Rebar - Bundle of 20	---
70	149664	3/8" Washer Head Hex Nut	---
70	149670	3/8" x 1 1/4" Washer Head Hex Bolt	---
40	42999	1 5/8" Clip Screw	---
1	TEK75	Tek Screws - Pack of 75	---
2	NSS111	Small Nexus L Clip	---
6	NSS1112	Large Nexus Brace Clip	---
6	NSS8BR	8' Bead Receiver	---

### Vinyl Works Liner Special Feature Item Numbers VW42SS162R-0610-06LB

- 1) Steel braces will be attached BETWEEN sections on step treads. End flanges on adjoining step risers will create a pocket to insert the steel brace.
- 2) Steel braces NSS304 & NSS305 bolted together will create the standard NSS147 brace for full end step units.
- 3) Installer must specify the measurement of the sundeck area to ensure proper liner fit.
- 4) This Modular Step Unit can be made with 6" Radius Corners by installing the optional 6"R foam corner insert (GLAUC4442NT). One required per feature that must be cut to size. **ALWAYS SPECIFY CORNERS WHEN ORDERING THE POOL AND LINER.**

## 16' x 2'R Nexus Side-by-Side w/ 6' Stair & 10' x 6' Sundeck Left 42SS162R-0610-06LB



**NOTES FOR INSTALLER:**  
PERIMETER PANELS WILL REQUIRE DRILLING HOLES TO ATTACH STEP RISERS



**Polymer**  
POOL SYSTEM

THIS STAIR / SUNDECK CONFORMS TO CURRENT APSP/ANSI/ICC-5 2011 & ISPSC 2024 STANDARDS FOR RESIDENTIAL INGROUND SWIMMING POOLS

70

# 42SS182R-0612-06LB

Count	PART#	DESCRIPTION	LETTER
5	NSS136	48" Step Riser	(A)
2	NSS169	24" Step Riser	(C)
1	NSS173R	46" Top Step Riser - RIGHT	(D)
1	NSS165L	22" Top Step Riser - LEFT	(G)
4	NSS107	42" Stair Brace Wall Insert	(H)
2	NSS300	48" Sundeck / Bench Riser	(L)
2	NSS302	24" Sundeck / Bench Riser	(M)
1	NSS303	2"RR Sundeck / Bench Riser	(P)
4	NSS147	Straight Stair Brace - 14.5" Tread	(U)
3	NSS150	Variable Sundeck Brace	(V)
1	NSS304	2 Piece Straight Stair Brace - Top Step	(W)
2	NSS306 (04N296-3)	24" Sundeck / Bench Brace	(Y)

### Included Stair Hardware

1	149271	3/8" x 18" Rebar - Bundle of 20	---
70	149664	3/8" Washer Head Hex Nut	---
70	149670	3/8" x 1 1/4" Washer Head Hex Bolt	---
40	42999	1 5/8" Clip Screw	---
1	TEK75	Tek Screws - Pack of 75	---
2	NSS111	Small Nexus L Clip	---
6	NSS1112	Large Nexus Brace Clip	---
7	NSS8BR	8' Bead Receiver	---

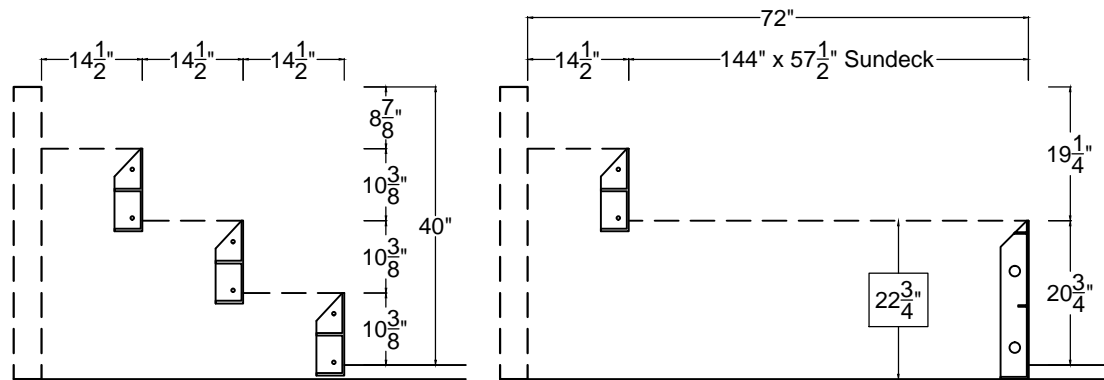
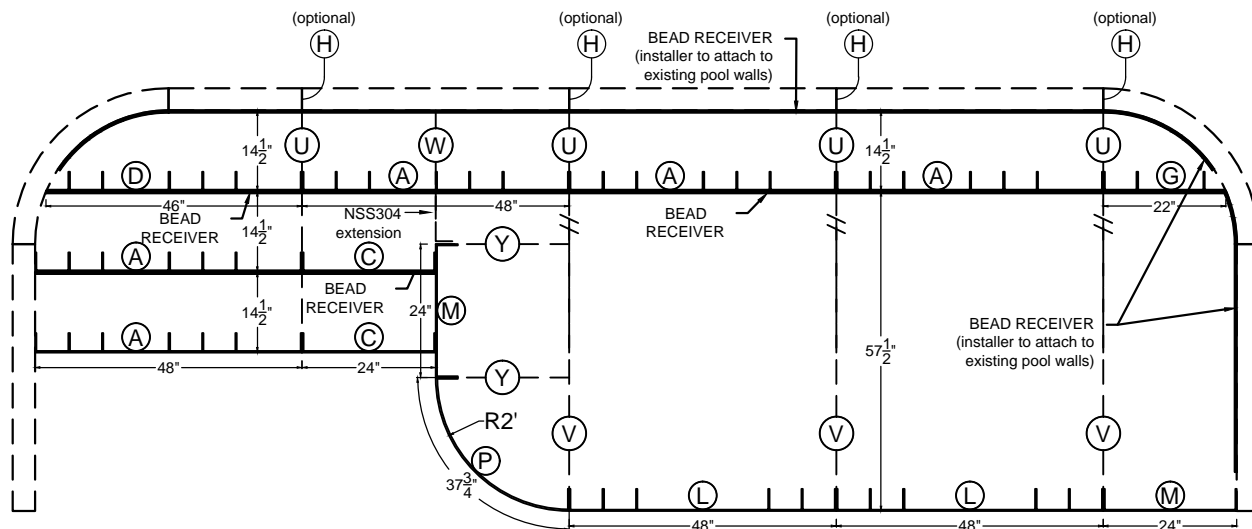
### Vinyl Works Liner Special Feature Item Numbers

**VW42SS182R-0612-06LB**

- 1) Steel braces will be attached BETWEEN sections on step treads. End flanges on adjoining step risers will create a pocket to insert the steel brace.
- 2) Steel braces NSS304 & NSS305 bolted together will create the standard NSS147 brace for full end step units.
- 3) Installer must specify the measurement of the sundeck area to ensure proper liner fit.
- 4) This Modular Step Unit can be made with 6" Radius Corners by installing the optional 6"R foam corner insert (GLAUC4442NT). One required per feature that must be cut to size. **ALWAYS SPECIFY CORNERS WHEN ORDERING THE POOL AND LINER.**

## 18' x 2'R Nexus Side-by-Side w/ 6' Stair & 12' x 6' Sundeck Left

### 42SS182R-0612-06LB



**NOTES FOR INSTALLER:**  
PERIMETER PANELS WILL REQUIRE DRILLING HOLES TO ATTACH STEP RISERS



# Imperial POOLS

## Polymer POOL SYSTEM

THIS STAIR / SUNDECK CONFORMS TO CURRENT *APSP/ANSI/ICC-5 2011* & *ISPS 2024* STANDARDS FOR RESIDENTIAL INGROUND SWIMMING POOLS

71

# 42SS182R-0612-06RB

Count	PART#	DESCRIPTION	LETTER
5	NSS136	48" Step Riser	(A)
2	NSS169	24" Step Riser	(C)
1	NSS170L	46" Top Step Riser - LEFT	(E)
1	NSS162R	22" Top Step Riser - RIGHT	(F)
4	NSS107	42" Stair Brace Wall Insert	(H)
2	NSS300	48" Sundeck / Bench Riser	(L)
2	NSS302	24" Sundeck / Bench Riser	(M)
1	NSS303	2"RR Sundeck / Bench Riser	(P)
4	NSS147	Straight Stair Brace - 14.5" Tread	(U)
3	NSS150	Variable Sundeck Brace	(V)
1	NSS304	2 Piece Straight Stair Brace - Top Step	(W)
2	NSS306 (04N296-3)	24" Sundeck / Bench Brace	(Y)

### Included Stair Hardware

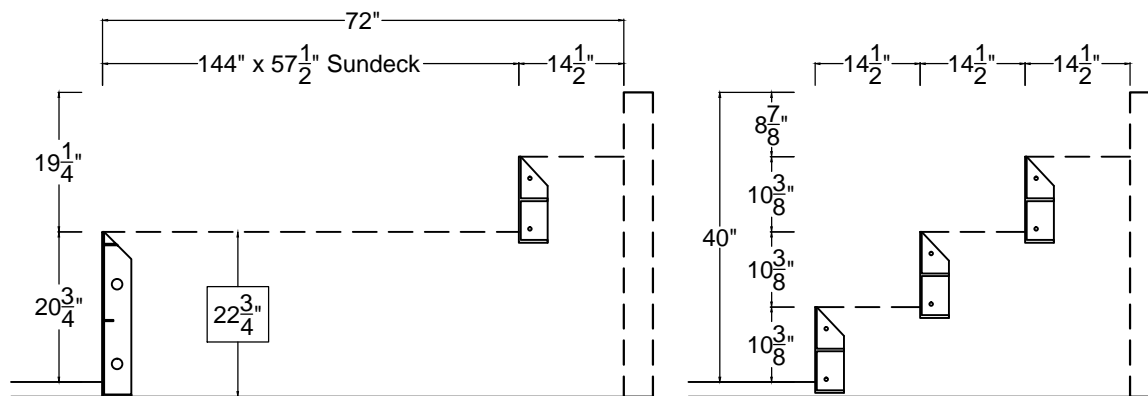
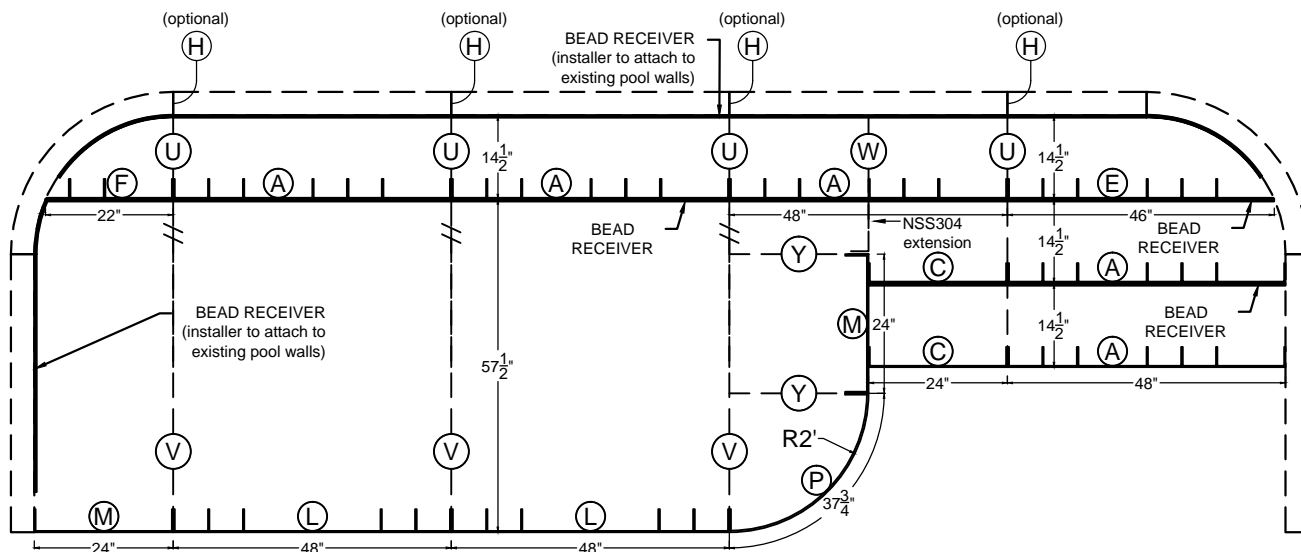
1	149271	3/8" x 18" Rebar - Bundle of 20	---
70	149664	3/8" Washer Head Hex Nut	---
70	149670	3/8" x 1 1/4" Washer Head Hex Bolt	---
40	42999	1 5/8" Clip Screw	---
1	TEK75	Tek Screws - Pack of 75	---
2	NSS111	Small Nexus L Clip	---
6	NSS1112	Large Nexus Brace Clip	---
7	NSS8BR	8' Bead Receiver	---

### Vinyl Works Liner Special Feature Item Numbers

**VW42SS182R-0612-06RB**

- 1) Steel braces will be attached BETWEEN sections on step treads. End flanges on adjoining step risers will create a pocket to insert the steel brace.
- 2) Steel braces NSS304 & NSS305 bolted together will create the standard NSS147 brace for full end step units.
- 3) Installer must specify the measurement of the sundeck area to ensure proper liner fit.
- 4) This Modular Step Unit can be made with 6" Radius Corners by installing the optional 6"R foam corner insert (GLAUC4442NT). One required per feature that must be cut to size. **ALWAYS SPECIFY CORNERS WHEN ORDERING THE POOL AND LINER.**

## 18' x 2'R Nexus Side-by-Side w/ 6' Stair & 12' x 6' Sundeck Right 42SS182R-0612-06RB



**NOTES FOR INSTALLER:**  
PERIMETER PANELS WILL REQUIRE DRILLING HOLES TO ATTACH STEP RISERS



**Polymer**  
POOL SYSTEM

THIS STAIR / SUNDECK CONFORMS TO CURRENT *APSP/ANSI/ICC-5 2011* & *ISPS 2024* STANDARDS FOR RESIDENTIAL INGROUND SWIMMING POOLS

72

# 42SS182R-0612-08LB

# 18' x 2'R Nexus Side-by-Side w/ 6' Stair & 12' x 8' Sundeck Left 42SS182R-0612-08LB

Count	PART#	DESCRIPTION	LETTER
5	NSS136	48" Step Riser	(A)
2	NSS169	24" Step Riser	(C)
1	NSS173R	46" Top Step Riser - RIGHT	(D)
1	NSS165L	22" Top Step Riser - LEFT	(G)
4	NSS107	42" Stair Brace Wall Insert	(H)
3	NSS300	48" Sundeck / Bench Riser	(L)
1	NSS302	24" Sundeck / Bench Riser	(M)
1	NSS303	2'RR Sundeck / Bench Riser	(P)
4	NSS147	Straight Stair Brace - 14.5" Tread	(U)
3	NSS150	Variable Sundeck Brace	(V)
1	NSS304	2 Piece Straight Stair Brace - Top Step	(W)
2	NSS306 (04N296-3)	24" Sundeck / Bench Brace	(Y)

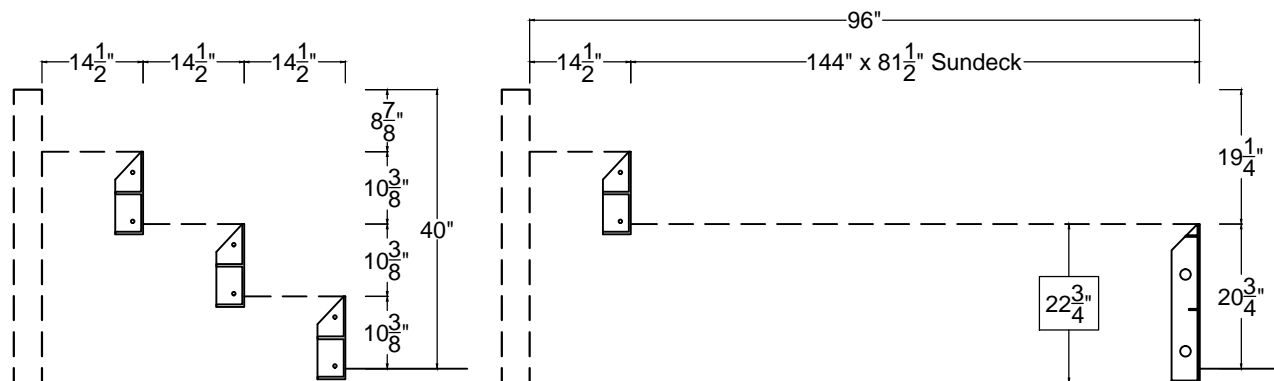
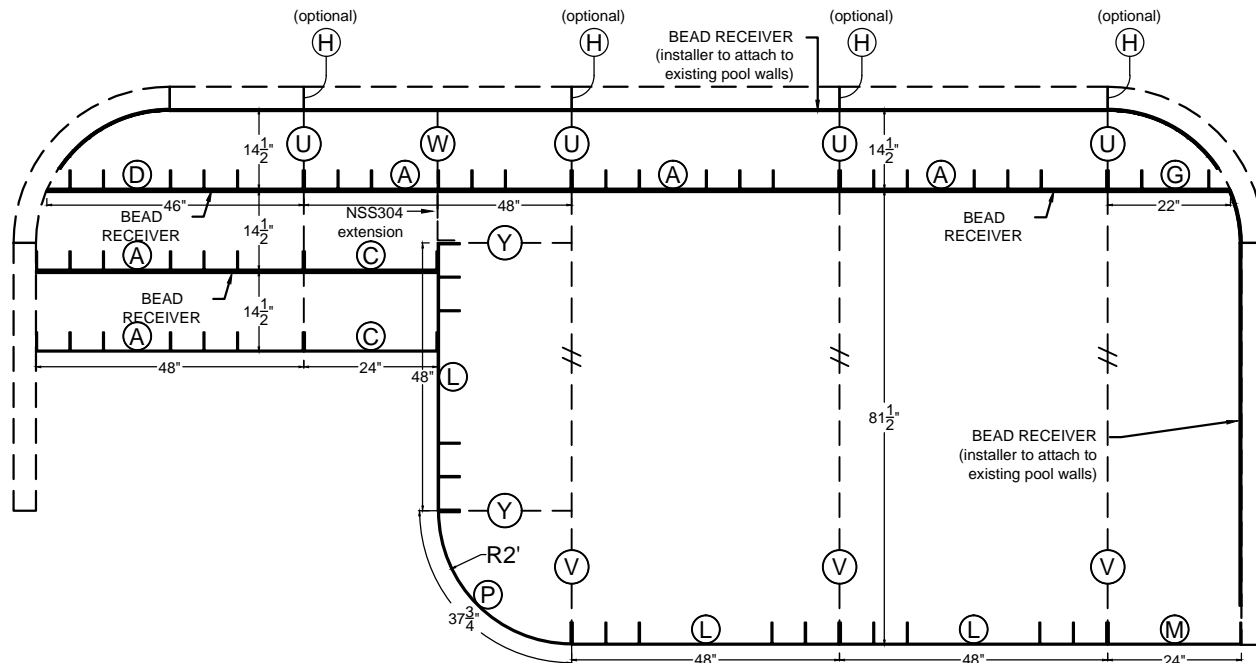
### Included Stair Hardware

1	149271	3/8" x 18" Rebar - Bundle of 20	---
70	149664	3/8" Washer Head Hex Nut	---
70	149670	3/8" x 1 1/4" Washer Head Hex Bolt	---
40	42999	1 5/8" Clip Screw	---
1	TEK75	Tek Screws - Pack of 75	---
2	NSS111	Small Nexus L Clip	---
6	NSS1112	Large Nexus Brace Clip	---
7	NSS8BR	8' Bead Receiver	---

### Vinyl Works Liner Special Feature Item Numbers

**VW42SS182R-0612-08LB**

- Steel braces will be attached BETWEEN sections on step treads. End flanges on adjoining step risers will create a pocket to insert the steel brace.
- Steel braces NSS304 & NSS305 bolted together will create the standard NSS147 brace for full end step units.
- Installer must specify the measurement of the sundeck area to ensure proper liner fit.
- This Modular Step Unit can be made with 6" Radius Corners by installing the optional 6"R foam corner insert (GLAUC4442NT). One required per feature that must be cut to size. **ALWAYS SPECIFY CORNERS WHEN ORDERING THE POOL AND LINER.**



**NOTES FOR INSTALLER:**  
PERIMETER PANELS WILL REQUIRE DRILLING HOLES TO ATTACH STEP RISERS



# Imperial POOLS

# Polymer POOL SYSTEM

THIS STAIR / SUNDECK CONFORMS TO CURRENT *APSP/ANSI/ICC-5 2011* & *ISPS 2024* STANDARDS FOR RESIDENTIAL INGROUND SWIMMING POOLS

73

# 42SS182R-0612-08RB

## 18' x 2'R Nexus Side-by-Side w/ 6' Stair & 12' x 8' Sundeck Right 42SS182R-0612-08RB

Count	PART#	DESCRIPTION	LETTER
5	NSS136	48" Step Riser	(A)
2	NSS169	24" Step Riser	(C)
1	NSS170L	46" Top Step Riser - LEFT	(E)
1	NSS162R	22" Top Step Riser - RIGHT	(F)
4	NSS107	42" Stair Brace Wall Insert	(H)
3	NSS300	48" Sundeck / Bench Riser	(L)
1	NSS302	24" Sundeck / Bench Riser	(M)
1	NSS303	2'RR Sundeck / Bench Riser	(P)
4	NSS147	Straight Stair Brace - 14.5" Tread	(U)
3	NSS150	Variable Sundeck Brace	(V)
1	NSS304	2 Piece Straight Stair Brace - Top Step	(W)
2	NSS306 (04N296-3)	24" Sundeck / Bench Brace	(Y)

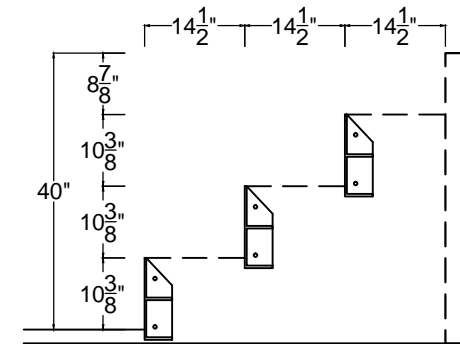
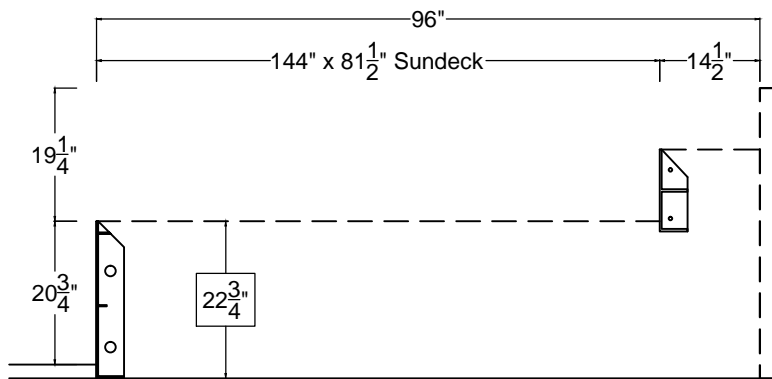
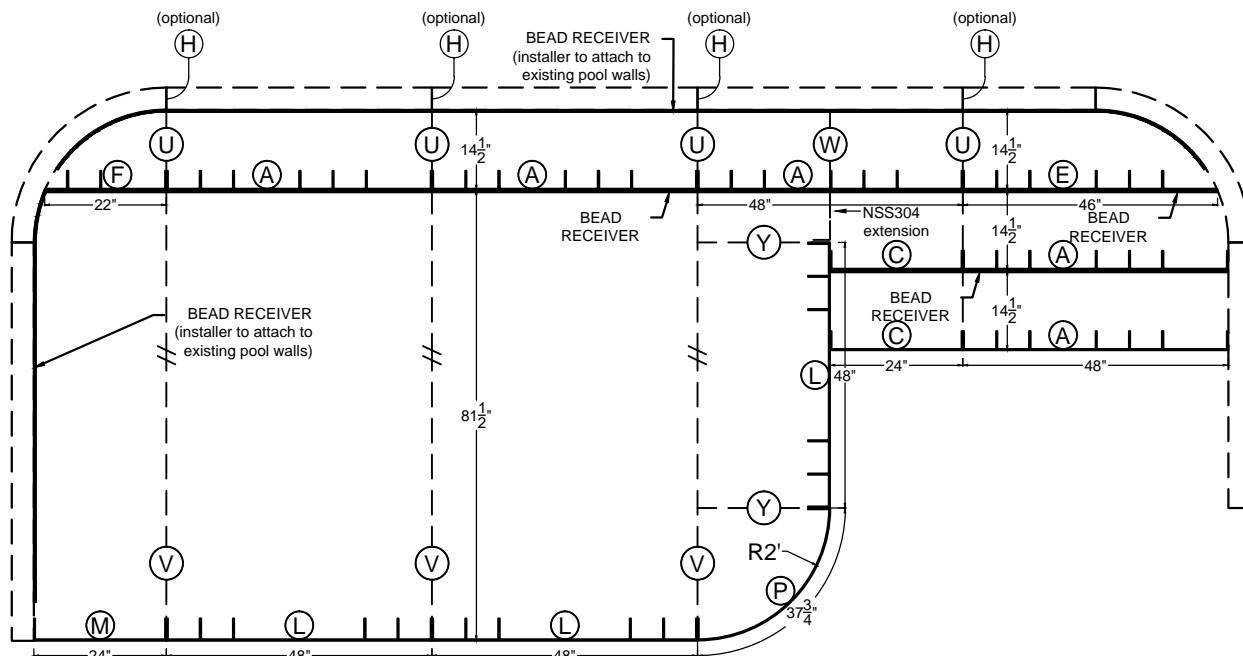
### Included Stair Hardware

1	149271	3/8" x 18" Rebar - Bundle of 20	---
70	149664	3/8" Washer Head Hex Nut	---
70	149670	3/8" x 1 1/4" Washer Head Hex Bolt	---
40	42999	1 5/8" Clip Screw	---
1	TEK75	Tek Screws - Pack of 75	---
2	NSS111	Small Nexus L Clip	---
6	NSS1112	Large Nexus Brace Clip	---
7	NSS8BR	8' Bead Receiver	---

### Vinyl Works Liner Special Feature Item Numbers

**VW42SS182R-0612-08RB**

- 1) Steel braces will be attached BETWEEN sections on step treads. End flanges on adjoining step risers will create a pocket to insert the steel brace.
- 2) Steel braces NSS304 & NSS305 bolted together will create the standard NSS147 brace for full end step units.
- 3) Installer must specify the measurement of the sundeck area to ensure proper liner fit.
- 4) This Modular Step Unit can be made with 6" Radius Corners by installing the optional 6"R foam corner insert (GLAUC4442NT). One required per feature that must be cut to size. **ALWAYS SPECIFY CORNERS WHEN ORDERING THE POOL AND LINER.**



**NOTES FOR INSTALLER:**  
PERIMETER PANELS WILL REQUIRE DRILLING HOLES TO ATTACH STEP RISERS



# Imperial POOLS

## Polymer POOL SYSTEM

THIS STAIR / SUNDECK CONFORMS TO CURRENT *APSP/ANSI/ICC-5 2011* & *ISPSA 2024* STANDARDS FOR RESIDENTIAL INGROUND SWIMMING POOLS

74

# 42SS182R-0810-06LB

Count	PART#	DESCRIPTION	LETTER
6	NSS136	48" Step Riser	(A)
1	NSS169	24" Step Riser	(C)
1	NSS173R	46" Top Step Riser - RIGHT	(D)
1	NSS170L	46" Top Step Riser - LEFT	(E)
2	NSS107	42" Stair Brace Wall Insert	(H)
2	NSS300	48" Sundeck / Bench Riser	(L)
1	NSS302	24" Sundeck / Bench Riser	(M)
1	NSS303	2'RR Sundeck / Bench Riser	(P)
3	NSS147	Straight Stair Brace - 14.5" Tread	(U)
2	NSS150	Variable Sundeck Brace	(V)
1	NSS304	2 Piece Straight Stair Brace - Top Step	(W)
2	NSS306 (04N296-3)	24" Sundeck / Bench Brace	(Y)

### Included Stair Hardware

1	149271	3/8" x 18" Rebar - Bundle of 20	---
70	149664	3/8" Washer Head Hex Nut	---
70	149670	3/8" x 1 1/4" Washer Head Hex Bolt	---
40	42999	1 5/8" Clip Screw	---
1	TEK75	Tek Screws - Pack of 75	---
2	NSS111	Small Nexus L Clip	---
6	NSS1112	Large Nexus Brace Clip	---
7	NSS8BR	8' Bead Receiver	---

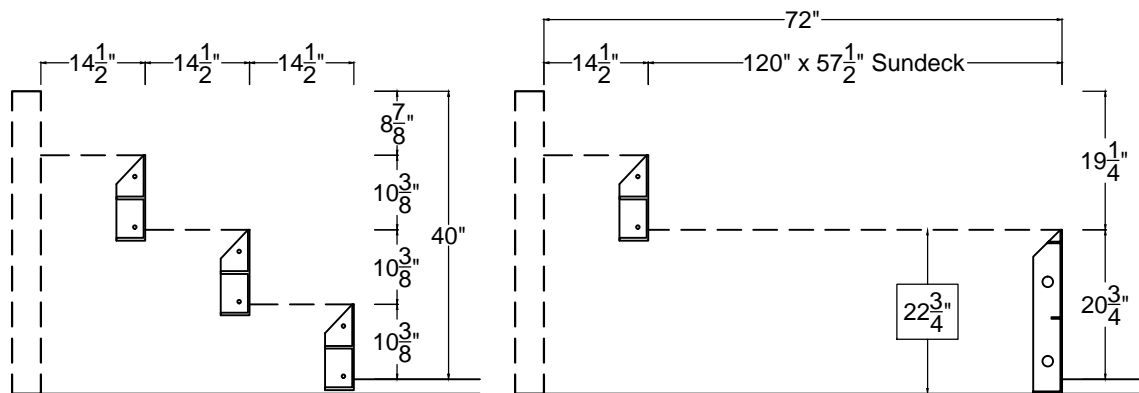
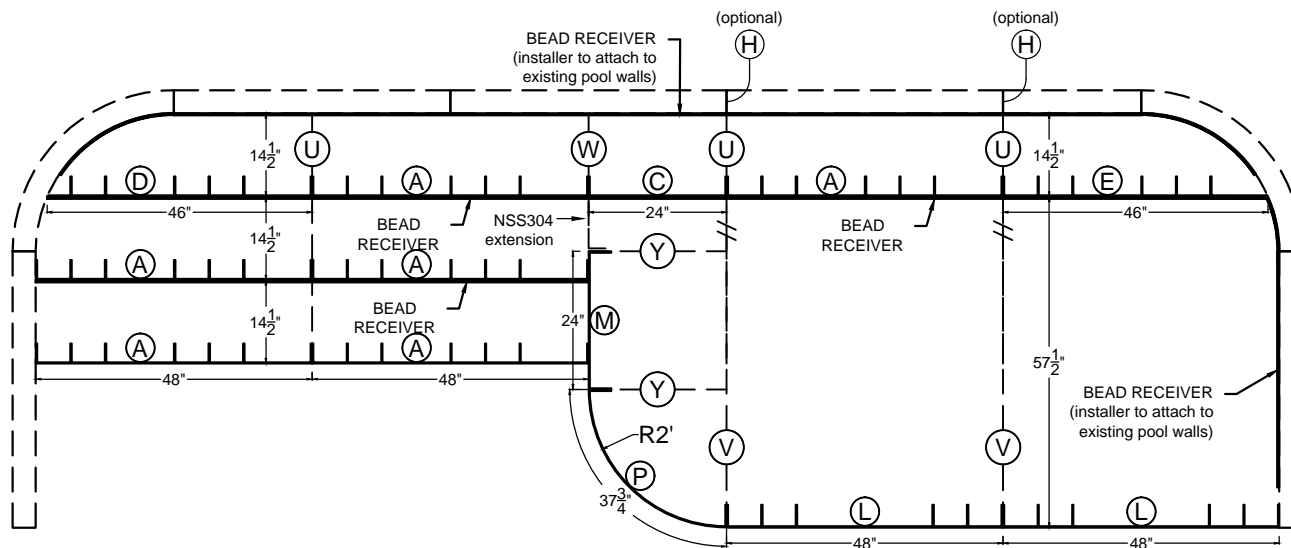
### Vinyl Works Liner Special Feature Item Numbers

**VW42SS182R-0810-06LB**

- 1) Steel braces will be attached BETWEEN sections on step treads. End flanges on adjoining step risers will create a pocket to insert the steel brace.
- 2) Steel braces NSS304 & NSS305 bolted together will create the standard NSS147 brace for full end step units.
- 3) Installer must specify the measurement of the sundeck area to ensure proper liner fit.
- 4) This Modular Step Unit can be made with 6" Radius Corners by installing the optional 6"R foam corner insert (GLAUC4442NT). One required per feature that must be cut to size. **ALWAYS SPECIFY CORNERS WHEN ORDERING THE POOL AND LINER.**

## 18' x 2'R Nexus Side-by-Side w/ 8' Stair & 10' x 6' Sundeck Left

### 42SS182R-0810-06LB



**NOTES FOR INSTALLER:**  
PERIMETER PANELS WILL REQUIRE DRILLING HOLES TO ATTACH STEP RISERS



**Polymer**  
POOL SYSTEM

THIS STAIR / SUNDECK CONFORMS TO CURRENT *APSP/ANSI/ICC-5 2011* & *ISPSA 2024* STANDARDS FOR RESIDENTIAL INGROUND SWIMMING POOLS

75

# 42SS182R-0810-06RB

Count	PART#	DESCRIPTION	LETTER
6	NSS136	48" Step Riser	(A)
1	NSS169	24" Step Riser	(C)
1	NSS173R	46" Top Step Riser - RIGHT	(D)
1	NSS170L	46" Top Step Riser - LEFT	(E)
2	NSS107	42" Stair Brace Wall Insert	(H)
2	NSS300	48" Sundeck / Bench Riser	(L)
1	NSS302	24" Sundeck / Bench Riser	(M)
1	NSS303	2"RR Sundeck / Bench Riser	(P)
3	NSS147	Straight Stair Brace - 14.5" Tread	(U)
2	NSS150	Variable Sundeck Brace	(V)
1	NSS304	2 Piece Straight Stair Brace - Top Step	(W)
2	NSS306 (04N296-3)	24" Sundeck / Bench Brace	(Y)

### Included Stair Hardware

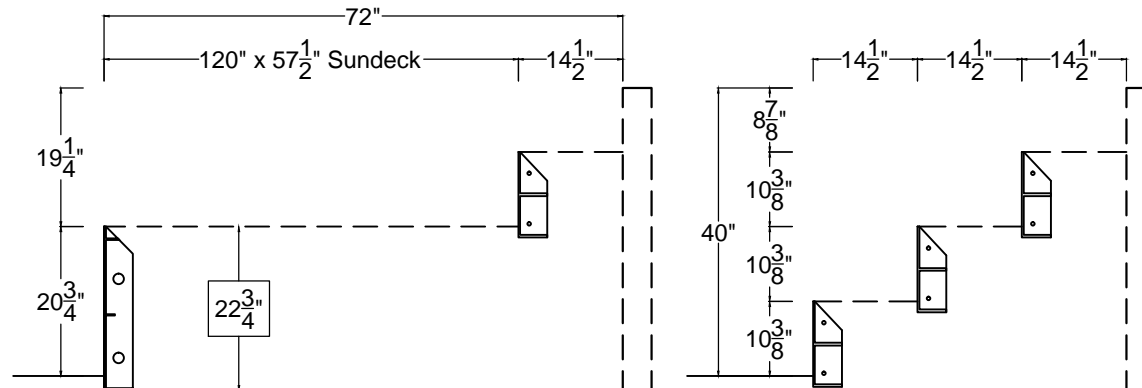
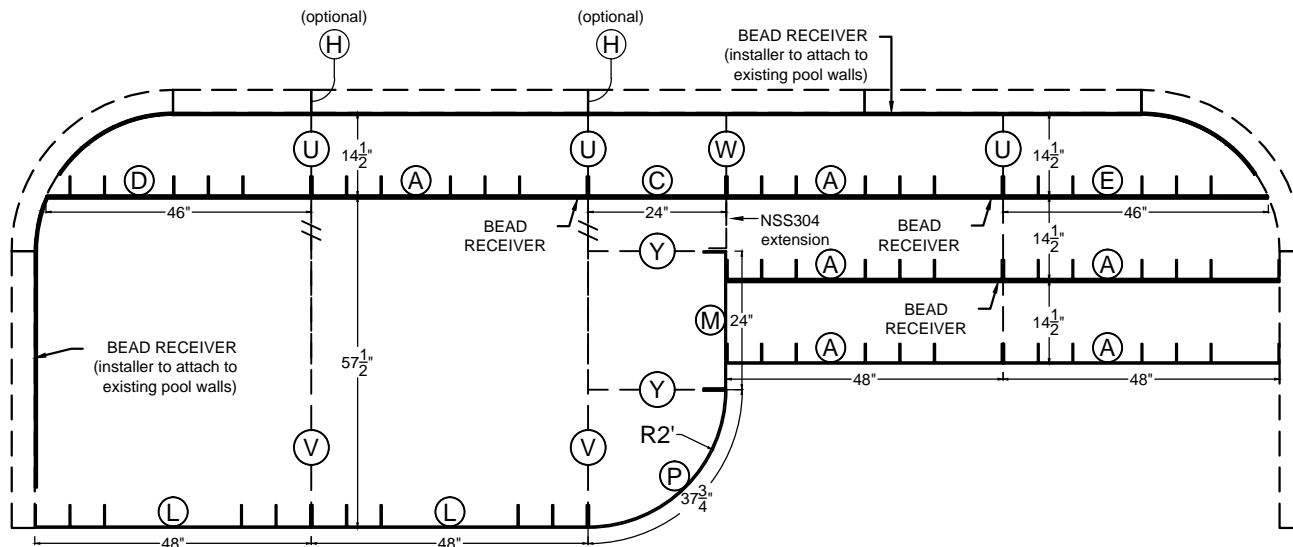
1	149271	3/8" x 18" Rebar - Bundle of 20	---
70	149664	3/8" Washer Head Hex Nut	---
70	149670	3/8" x 1 1/4" Washer Head Hex Bolt	---
40	42999	1 5/8" Clip Screw	---
1	TEK75	Tek Screws - Pack of 75	---
2	NSS111	Small Nexus L Clip	---
6	NSS1112	Large Nexus Brace Clip	---
7	NSS8BR	8' Bead Receiver	---

### Vinyl Works Liner Special Feature Item Numbers

#### VW42SS182R-0810-06RB

- 1) Steel braces will be attached BETWEEN sections on step treads. End flanges on adjoining step risers will create a pocket to insert the steel brace.
- 2) Steel braces NSS304 & NSS305 bolted together will create the standard NSS147 brace for full end step units.
- 3) Installer must specify the measurement of the sundeck area to ensure proper liner fit.
- 4) This Modular Step Unit can be made with 6" Radius Corners by installing the optional 6"R foam corner insert (GLAUC4442NT). One required per feature that must be cut to size. **ALWAYS SPECIFY CORNERS WHEN ORDERING THE POOL AND LINER.**

## 18' x 2'R Nexus Side-by-Side w/ 8' Stair & 10' x 6' Sundeck Right 42SS182R-0810-06RB



**NOTES FOR INSTALLER:**  
PERIMETER PANELS WILL REQUIRE DRILLING HOLES TO ATTACH STEP RISERS



# Imperial POOLS

# Polymer

POOL SYSTEM

THIS STAIR / SUNDECK CONFORMS TO CURRENT *APSP/ANSI/ICC-5 2011* & *ISPS 2024* STANDARDS FOR RESIDENTIAL INGROUND SWIMMING POOLS

76



# 42SS182R-0810-08LB

18' x 2'R Nexus Side-by-Side w/ 8' Stair & 10' x 8' Sundeck Left

# 42SS182R-0810-08LB

Count	PART#	DESCRIPTION	LETTER
6	NSS136	48" Step Riser	(A)
1	NSS169	24" Step Riser	(C)
1	NSS173R	46" Top Step Riser - RIGHT	(D)
1	NSS170L	46" Top Step Riser - LEFT	(E)
2	NSS107	42" Stair Brace Wall Insert	(H)
3	NSS300	48" Sundeck / Bench Riser	(L)
1	NSS303	2'RR Sundeck / Bench Riser	(P)
3	NSS147	Straight Stair Brace - 14.5" Tread	(U)
2	NSS150	Variable Sundeck Brace	(V)
1	NSS304	2 Piece Straight Stair Brace - Top Step	(W)
2	NSS306 (04N296-3)	24" Sundeck / Bench Brace	(Y)

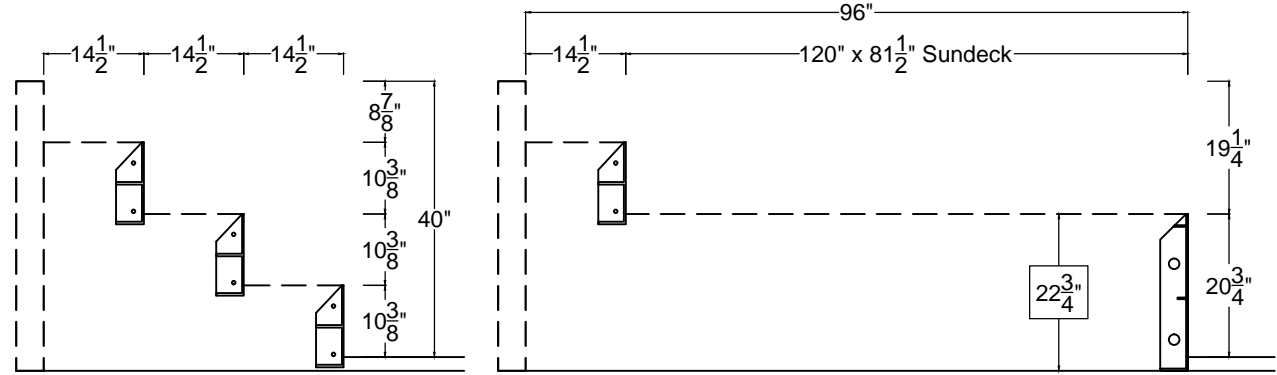
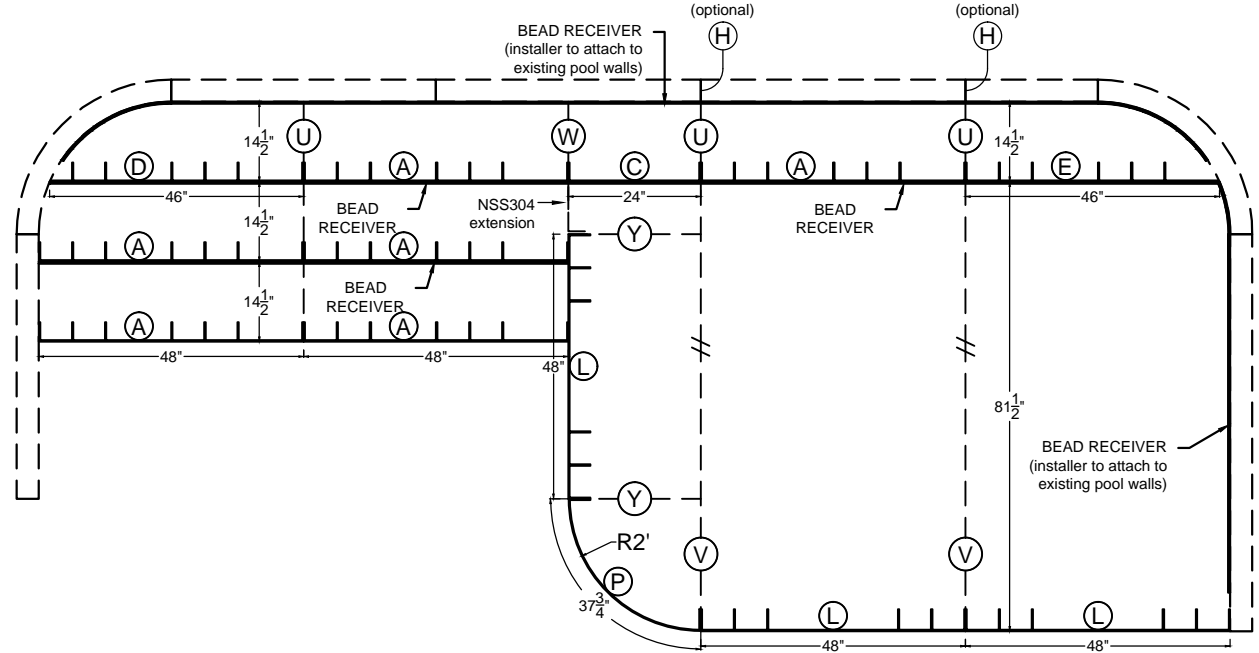
### Included Stair Hardware

1	149271	3/8" x 18" Rebar - Bundle of 20	---
70	149664	3/8" Washer Head Hex Nut	---
70	149670	3/8" x 1 1/4" Washer Head Hex Bolt	---
40	42999	1 5/8" Clip Screw	---
1	TEK75	Tek Screws - Pack of 75	---
2	NSS111	Small Nexus L Clip	---
6	NSS1112	Large Nexus Brace Clip	---
7	NSS8BR	8' Bead Receiver	---

### Vinyl Works Liner Special Feature Item Numbers

**VW42SS182R-0810-08LB**

- 1) Steel braces will be attached BETWEEN sections on step treads. End flanges on adjoining step risers will create a pocket to insert the steel brace.
- 2) Steel braces NSS304 & NSS305 bolted together will create the standard NSS147 brace for full end step units.
- 3) Installer must specify the measurement of the sundeck area to ensure proper liner fit.
- 4) This Modular Step Unit can be made with 6" Radius Corners by installing the optional 6"R foam corner insert (GLAUC4442NT). One required per feature that must be cut to size. **ALWAYS SPECIFY CORNERS WHEN ORDERING THE POOL AND LINER.**



**NOTES FOR INSTALLER:**  
PERIMETER PANELS WILL REQUIRE DRILLING HOLES TO ATTACH STEP RISERS



# Imperial POOLS

# Polymer POOL SYSTEM

THIS STAIR / SUNDECK CONFORMS TO CURRENT *APSP/ANSI/ICC-5 2011* & *ISPSA 2024* STANDARDS FOR RESIDENTIAL INGROUND SWIMMING POOLS

77

# 42SS182R-0810-08RB

## 18' x 2'R Nexus Side-by-Side w/ 8' Stair & 10' x 8' Sundeck Right 42SS182R-0810-08RB

Count	PART#	DESCRIPTION	LETTER
6	NSS136	48" Step Riser	(A)
1	NSS169	24" Step Riser	(C)
1	NSS173R	46" Top Step Riser - RIGHT	(D)
1	NSS170L	46" Top Step Riser - LEFT	(E)
2	NSS107	42" Stair Brace Wall Insert	(H)
3	NSS300	48" Sundeck / Bench Riser	(L)
1	NSS303	2'RR Sundeck / Bench Riser	(P)
3	NSS147	Straight Stair Brace - 14.5" Tread	(U)
2	NSS150	Variable Sundeck Brace	(V)
1	NSS304	2 Piece Straight Stair Brace - Top Step	(W)
2	NSS306 (04N296-3)	24" Sundeck / Bench Brace	(Y)

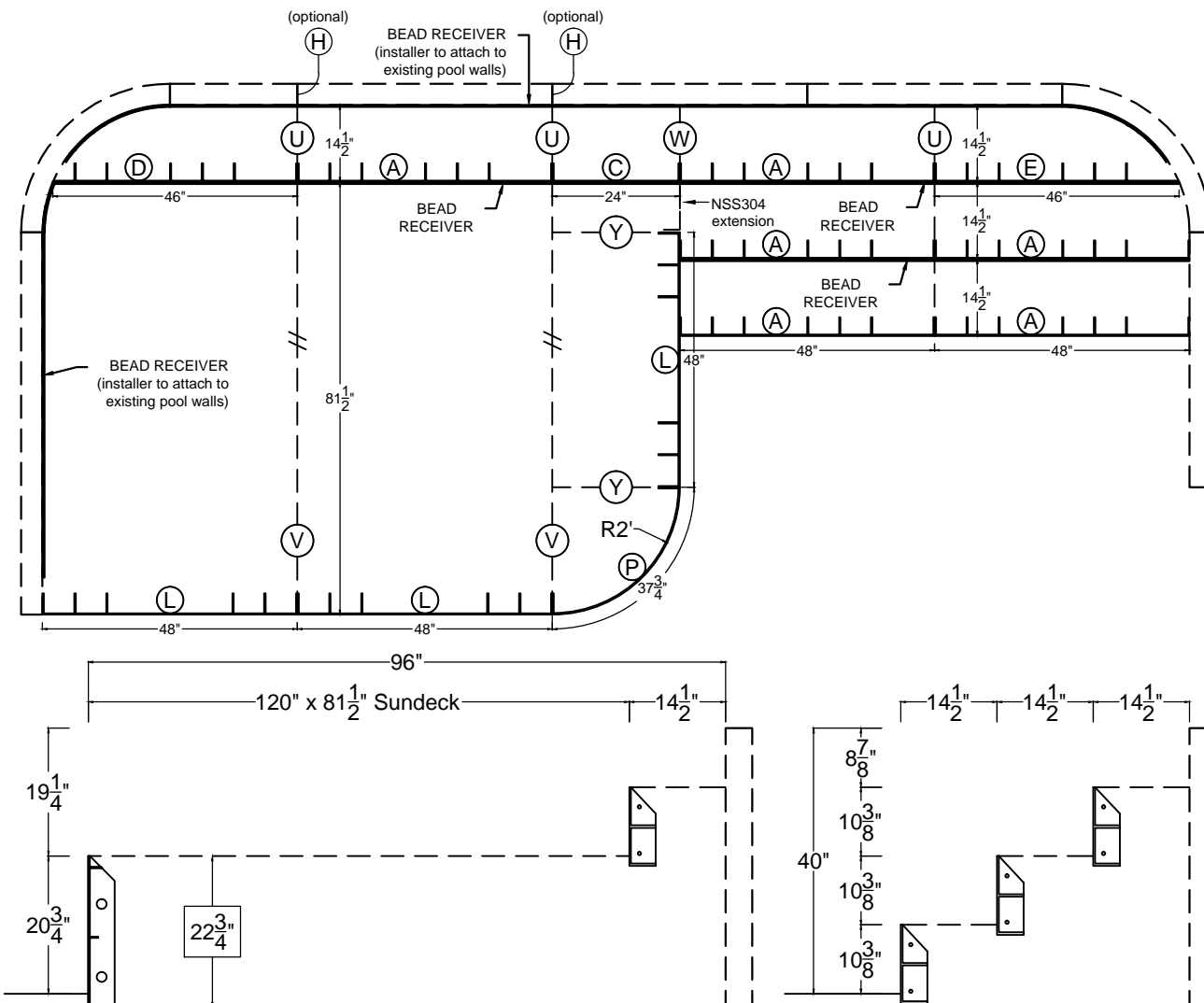
### Included Stair Hardware

1	149271	3/8" x 18" Rebar - Bundle of 20	---
70	149664	3/8" Washer Head Hex Nut	---
70	149670	3/8" x 1 1/4" Washer Head Hex Bolt	---
40	42999	1 5/8" Clip Screw	---
1	TEK75	Tek Screws - Pack of 75	---
2	NSS111	Small Nexus L Clip	---
6	NSS1112	Large Nexus Brace Clip	---
7	NSS8BR	8' Bead Receiver	---

### Vinyl Works Liner Special Feature Item Numbers

**VW42SS182R-0810-08RB**

- 1) Steel braces will be attached BETWEEN sections on step treads. End flanges on adjoining step risers will create a pocket to insert the steel brace.
- 2) Steel braces NSS304 & NSS305 bolted together will create the standard NSS147 brace for full end step units.
- 3) Installer must specify the measurement of the sundeck area to ensure proper liner fit.
- 4) This Modular Step Unit can be made with 6" Radius Corners by installing the optional 6"R foam corner insert (GLAUC4442NT). One required per feature that must be cut to size. **ALWAYS SPECIFY CORNERS WHEN ORDERING THE POOL AND LINER.**



**NOTES FOR INSTALLER:**  
PERIMETER PANELS WILL REQUIRE DRILLING HOLES TO ATTACH STEP RISERS



# Imperial POOLS

## Polymer POOL SYSTEM

THIS STAIR / SUNDECK CONFORMS TO CURRENT *APSP/ANSI/ICC-5 2011* & *ISPS 2024* STANDARDS FOR RESIDENTIAL INGROUND SWIMMING POOLS

78

# 42SS182R-1008-06LB

Count	PART#	DESCRIPTION	LETTER
7	NSS136	48" Step Riser	(A)
2	NSS169	24" Step Riser	(C)
1	NSS170L	46" Top Step Riser - LEFT	(E)
1	NSS162R	22" Top Step Riser - RIGHT	(F)
4	NSS107	42" Stair Brace Wall Insert	(H)
1	NSS300	48" Sundeck / Bench Riser	(L)
2	NSS302	24" Sundeck / Bench Riser	(M)
1	NSS303	2'RR Sundeck / Bench Riser	(P)
4	NSS147	Straight Stair Brace - 14.5" Tread	(U)
2	NSS150	Variable Sundeck Brace	(V)
1	NSS304	2 Piece Straight Stair Brace - Top Step	(W)
2	NSS306 (04N296-3)	24" Sundeck / Bench Brace	(Y)

### Included Stair Hardware

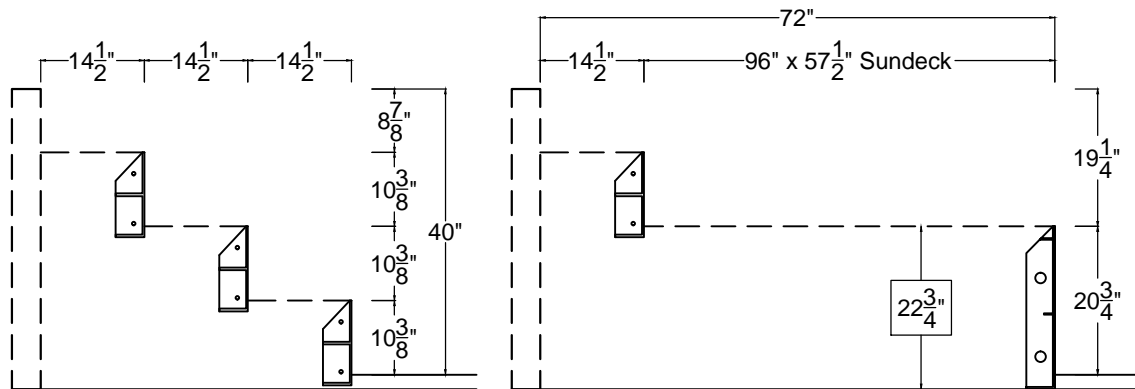
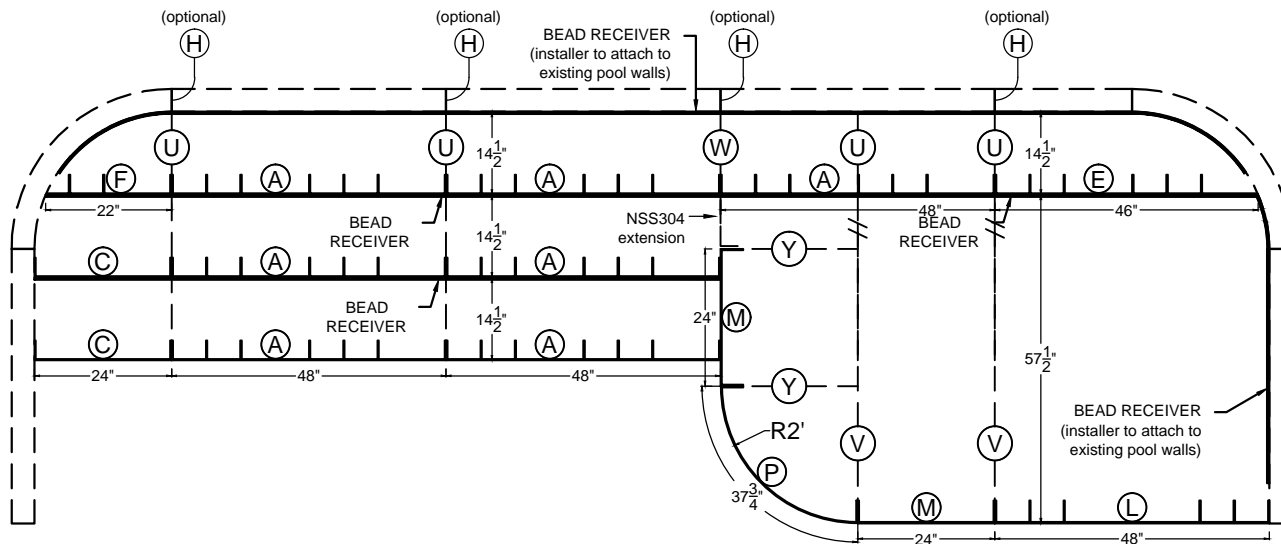
1	149271	3/8" x 18" Rebar - Bundle of 20	---
70	149664	3/8" Washer Head Hex Nut	---
70	149670	3/8" x 1 1/4" Washer Head Hex Bolt	---
40	42999	1 5/8" Clip Screw	---
1	TEK75	Tek Screws - Pack of 75	---
2	NSS111	Small Nexus L Clip	---
6	NSS1112	Large Nexus Brace Clip	---
7	NSS8BR	8' Bead Receiver	---

### Vinyl Works Liner Special Feature Item Numbers

**VW42SS182R-1008-06LB**

- 1) Steel braces will be attached BETWEEN sections on step treads. End flanges on adjoining step risers will create a pocket to insert the steel brace.
- 2) Steel braces NSS304 & NSS305 bolted together will create the standard NSS147 brace for full end step units.
- 3) Installer must specify the measurement of the sundeck area to ensure proper liner fit.
- 4) This Modular Step Unit can be made with 6" Radius Corners by installing the optional 6"R foam corner insert (GLAUC4442NT). One required per feature that must be cut to size. **ALWAYS SPECIFY CORNERS WHEN ORDERING THE POOL AND LINER.**

## 18' x 2'R Nexus Side-by-Side w/ 10' Stair & 8' x 6' Sundeck Left 42SS182R-1008-06LB



**NOTES FOR INSTALLER:**  
PERIMETER PANELS WILL REQUIRE DRILLING HOLES TO ATTACH STEP RISERS



**Polymer**  
POOL SYSTEM

THIS STAIR / SUNDECK CONFORMS TO CURRENT *APSP/ANSI/ICC-5 2011* & *ISPS 2024* STANDARDS FOR RESIDENTIAL INGROUND SWIMMING POOLS

79

# 42SS182R-1008-06RB

Count	PART#	DESCRIPTION	LETTER
7	NSS136	48" Step Riser	(A)
2	NSS169	24" Step Riser	(C)
1	NSS173R	46" Top Step Riser - RIGHT	(D)
1	NSS165L	22" Top Step Riser - LEFT	(G)
4	NSS107	42" Stair Brace Wall Insert	(H)
1	NSS300	48" Sundeck / Bench Riser	(L)
2	NSS302	24" Sundeck / Bench Riser	(M)
1	NSS303	2"RR Sundeck / Bench Riser	(P)
4	NSS147	Straight Stair Brace - 14.5" Tread	(U)
2	NSS150	Variable Sundeck Brace	(V)
1	NSS304	2 Piece Straight Stair Brace - Top Step	(W)
2	NSS306 (04N296-3)	24" Sundeck / Bench Brace	(Y)

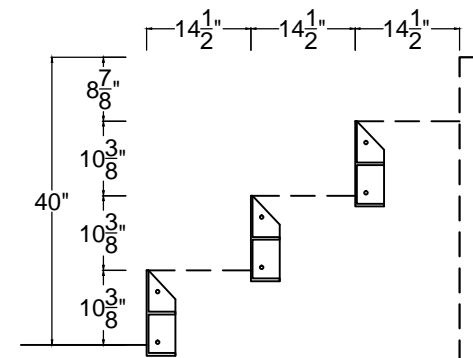
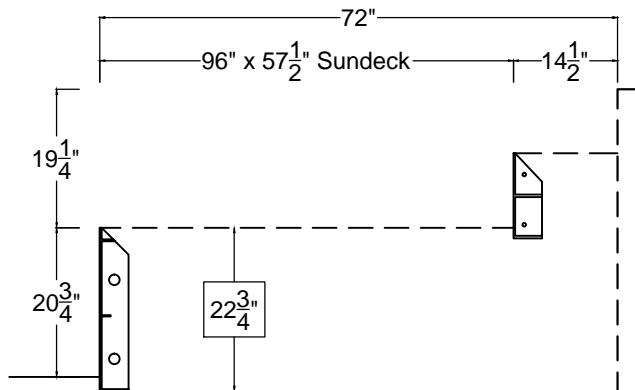
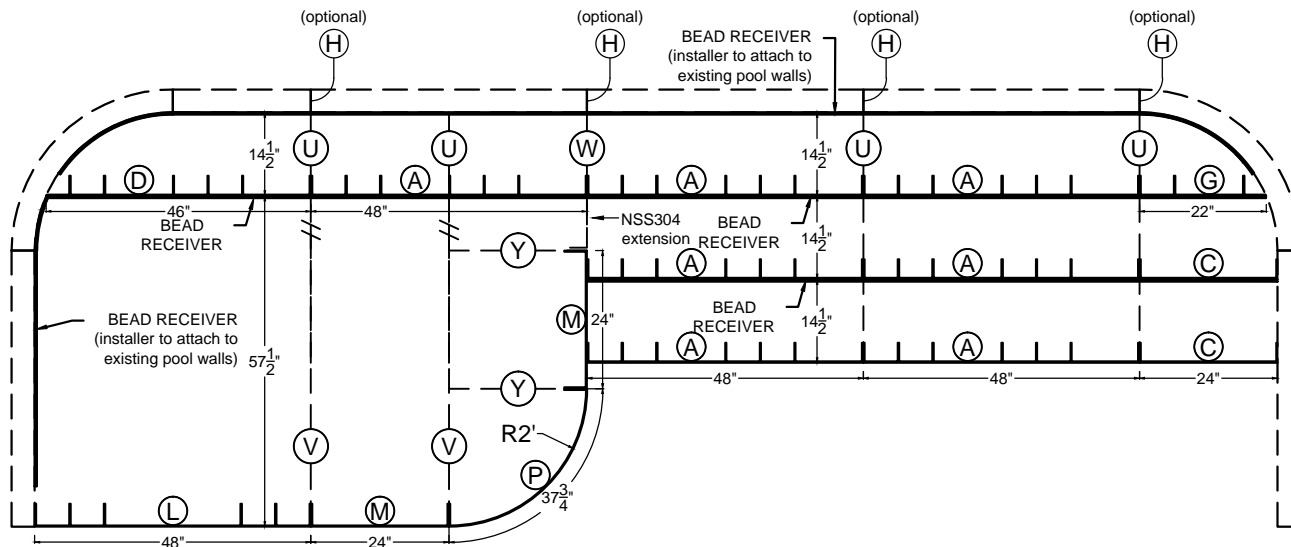
### Included Stair Hardware

1	149271	3/8" x 18" Rebar - Bundle of 20	---
70	149664	3/8" Washer Head Hex Nut	---
70	149670	3/8" x 1 1/4" Washer Head Hex Bolt	---
40	42999	1 5/8" Clip Screw	---
1	TEK75	Tek Screws - Pack of 75	---
2	NSS111	Small Nexus L Clip	---
6	NSS1112	Large Nexus Brace Clip	---
7	NSS8BR	8' Bead Receiver	---

### Vinyl Works Liner Special Feature Item Numbers VW42SS182R-1008-06RB

- 1) Steel braces will be attached BETWEEN sections on step treads. End flanges on adjoining step risers will create a pocket to insert the steel brace.
- 2) Steel braces NSS304 & NSS305 bolted together will create the standard NSS147 brace for full end step units.
- 3) Installer must specify the measurement of the sundeck area to ensure proper liner fit.
- 4) This Modular Step Unit can be made with 6" Radius Corners by installing the optional 6"R foam corner insert (GLAUC4442NT). One required per feature that must be cut to size. **ALWAYS SPECIFY CORNERS WHEN ORDERING THE POOL AND LINER.**

## 18' x 2'R Nexus Side-by-Side w/ 10' Stair & 8' x 6' Sundeck Right 42SS182R-1008-06RB



**NOTES FOR INSTALLER:**  
PERIMETER PANELS WILL REQUIRE DRILLING HOLES TO ATTACH STEP RISERS



# Imperial POOLS

## Polymer POOL SYSTEM

THIS STAIR / SUNDECK CONFORMS TO CURRENT *APSP/ANSI/ICC-5 2011* & *ISPS 2024* STANDARDS FOR RESIDENTIAL INGROUND SWIMMING POOLS

80

# 42SS182R-1008-08LB

## 18' x 2'R Nexus Side-by-Side w/ 10' Stair & 8' x 8' Sundeck Left 42SS182R-1008-08LB

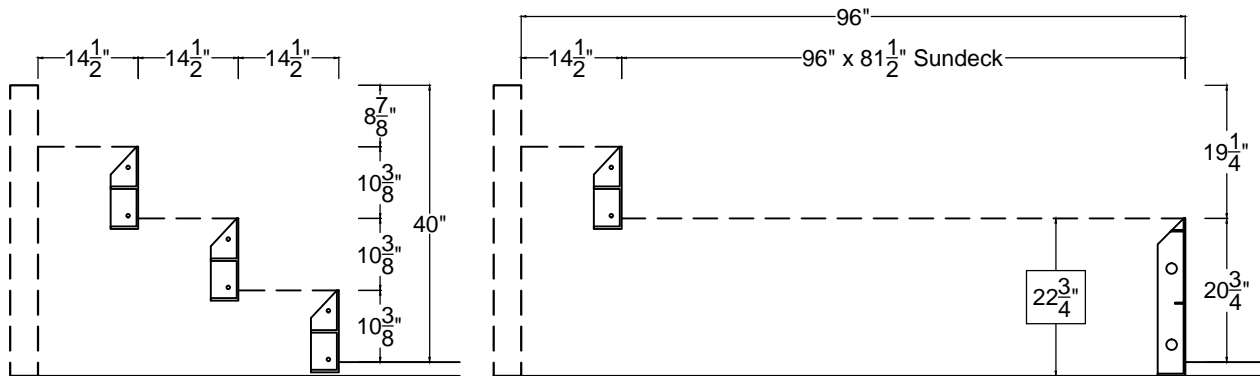
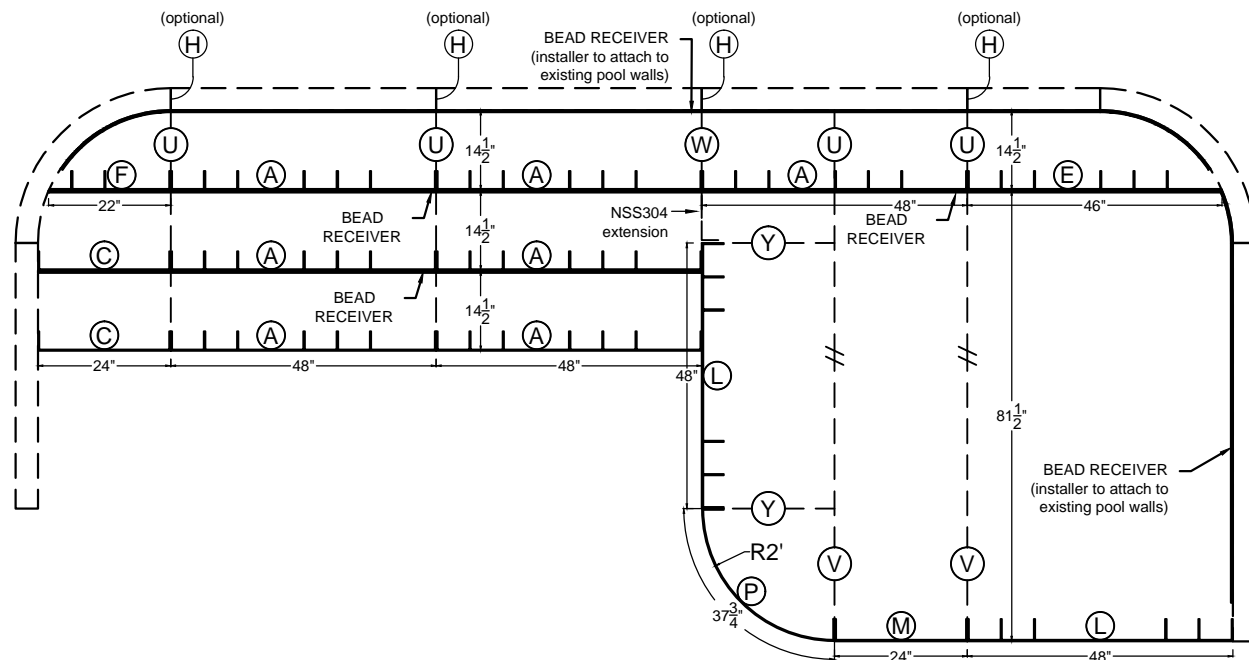
Count	PART#	DESCRIPTION	LETTER
7	NSS136	48" Step Riser	(A)
2	NSS169	24" Step Riser	(C)
1	NSS170L	46" Top Step Riser - LEFT	(E)
1	NSS162R	22" Top Step Riser - RIGHT	(F)
4	NSS107	42" Stair Brace Wall Insert	(H)
2	NSS300	48" Sundeck / Bench Riser	(L)
1	NSS302	24" Sundeck / Bench Riser	(M)
1	NSS303	2'RR Sundeck / Bench Riser	(P)
4	NSS147	Straight Stair Brace - 14.5" Tread	(U)
2	NSS150	Variable Sundeck Brace	(V)
1	NSS304	2 Piece Straight Stair Brace - Top Step	(W)
2	NSS306 (04N296-3)	24" Sundeck / Bench Brace	(Y)

### Included Stair Hardware

1	149271	3/8" x 18" Rebar - Bundle of 20	---
70	149664	3/8" Washer Head Hex Nut	---
70	149670	3/8" x 1 1/4" Washer Head Hex Bolt	---
40	42999	1 5/8" Clip Screw	---
1	TEK75	Tek Screws - Pack of 75	---
2	NSS111	Small Nexus L Clip	---
6	NSS1112	Large Nexus Brace Clip	---
7	NSS8BR	8' Bead Receiver	---

### Vinyl Works Liner Special Feature Item Numbers VW42SS182R-1008-08LB

- 1) Steel braces will be attached BETWEEN sections on step treads. End flanges on adjoining step risers will create a pocket to insert the steel brace.
- 2) Steel braces NSS304 & NSS305 bolted together will create the standard NSS147 brace for full end step units.
- 3) Installer must specify the measurement of the sundeck area to ensure proper liner fit.
- 4) This Modular Step Unit can be made with 6" Radius Corners by installing the optional 6"R foam corner insert (GLAUC4442NT). One required per feature that must be cut to size. **ALWAYS SPECIFY CORNERS WHEN ORDERING THE POOL AND LINER.**



**NOTES FOR INSTALLER:**  
PERIMETER PANELS WILL REQUIRE DRILLING HOLES TO ATTACH STEP RISERS



**Polymer**  
POOL SYSTEM

THIS STAIR / SUNDECK CONFORMS TO CURRENT *APSP/ANSI/ICC-5 2011* & *ISPS 2024* STANDARDS FOR RESIDENTIAL INGROUND SWIMMING POOLS

81

# 42SS182R-1008-08RB

Count	PART#	DESCRIPTION	LETTER
7	NSS136	48" Step Riser	(A)
2	NSS169	24" Step Riser	(C)
1	NSS173R	46" Top Step Riser - RIGHT	(D)
1	NSS165L	22" Top Step Riser - LEFT	(G)
4	NSS107	42" Stair Brace Wall Insert	(H)
2	NSS300	48" Sundeck / Bench Riser	(L)
1	NSS302	24" Sundeck / Bench Riser	(M)
1	NSS303	2"RR Sundeck / Bench Riser	(P)
4	NSS147	Straight Stair Brace - 14.5" Tread	(U)
2	NSS150	Variable Sundeck Brace	(V)
1	NSS304	2 Piece Straight Stair Brace - Top Step	(W)
2	NSS306 (04N296-3)	24" Sundeck / Bench Brace	(Y)

### Included Stair Hardware

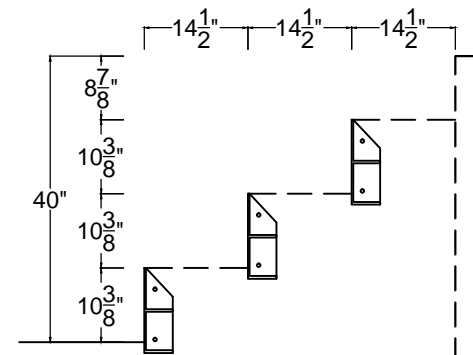
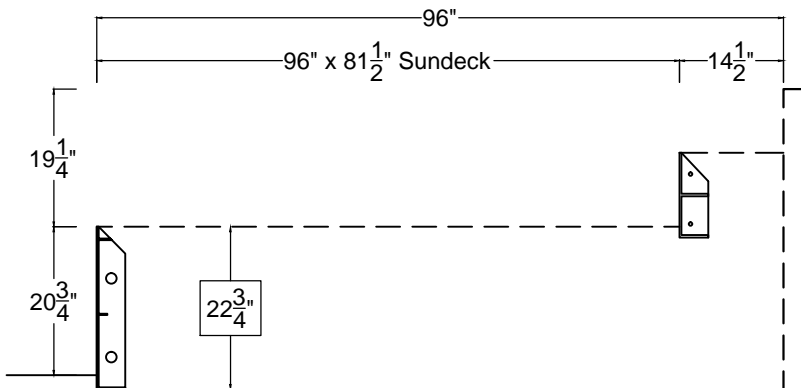
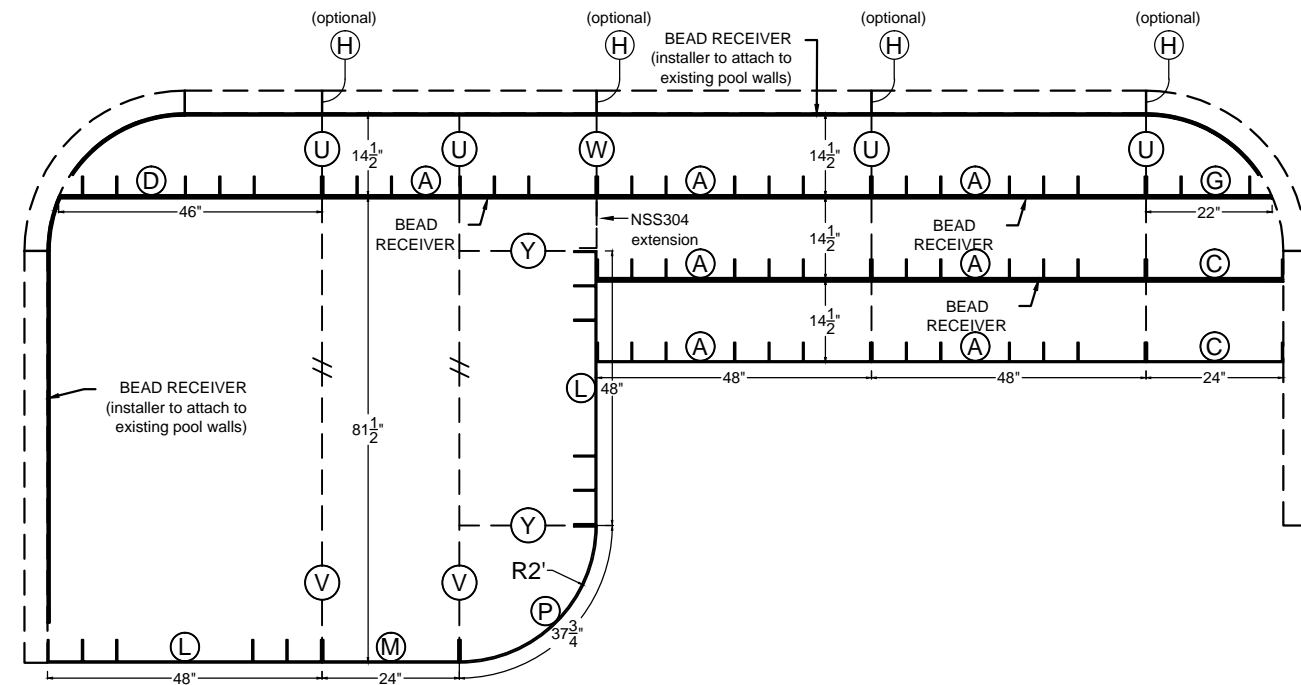
1	149271	3/8" x 18" Rebar - Bundle of 20	---
70	149664	3/8" Washer Head Hex Nut	---
70	149670	3/8" x 1 1/4" Washer Head Hex Bolt	---
40	42999	1 5/8" Clip Screw	---
1	TEK75	Tek Screws - Pack of 75	---
2	NSS111	Small Nexus L Clip	---
6	NSS1112	Large Nexus Brace Clip	---
7	NSS8BR	8' Bead Receiver	---

### Vinyl Works Liner Special Feature Item Numbers

**VW42SS182R-1008-08RB**

- 1) Steel braces will be attached BETWEEN sections on step treads. End flanges on adjoining step risers will create a pocket to insert the steel brace.
- 2) Steel braces NSS304 & NSS305 bolted together will create the standard NSS147 brace for full end step units.
- 3) Installer must specify the measurement of the sundeck area to ensure proper liner fit.
- 4) This Modular Step Unit can be made with 6" Radius Corners by installing the optional 6"R foam corner insert (GLAUC4442NT). One required per feature that must be cut to size. **ALWAYS SPECIFY CORNERS WHEN ORDERING THE POOL AND LINER.**

## 18' x 2'R Nexus Side-by-Side w/ 10' Stair & 8' x 8' Sundeck Right 42SS182R-1008-08RB



**NOTES FOR INSTALLER:**  
PERIMETER PANELS WILL REQUIRE DRILLING HOLES TO ATTACH STEP RISERS



# Imperial POOLS

## Polymer POOL SYSTEM

THIS STAIR / SUNDECK CONFORMS TO CURRENT *APSP/ANSI/ICC-5 2011* & *ISPSC 2024* STANDARDS FOR RESIDENTIAL INGROUND SWIMMING POOLS

82

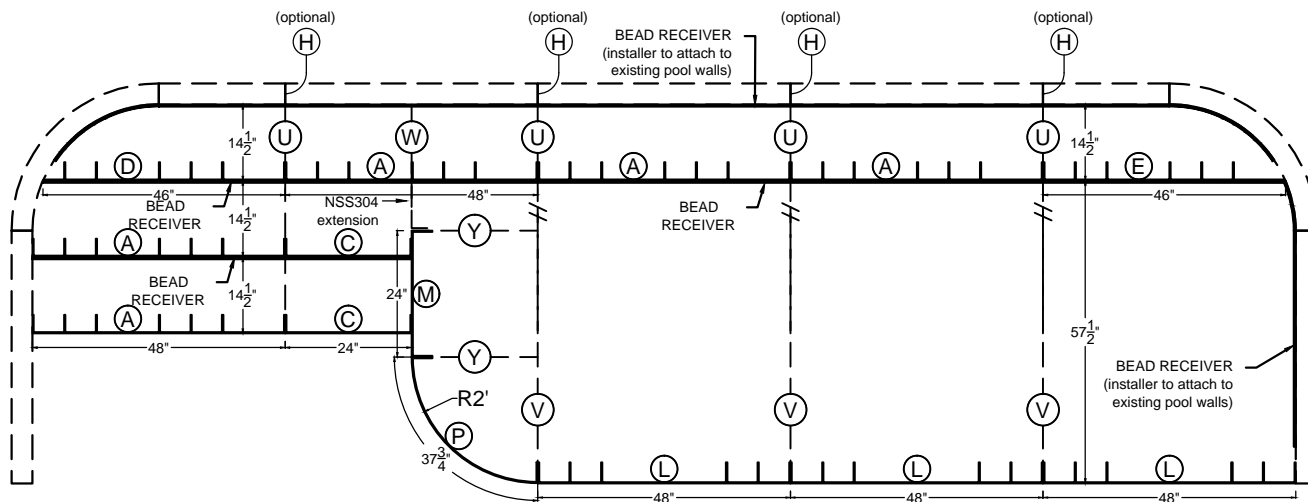
# 42SS202R-0614-06LB

## 20' x 2'R Nexus Side-by-Side w/ 6' Stair & 14' x 6' Sundeck Left 42SS202R-0614-06LB

Count	PART#	DESCRIPTION	LETTER
5	NSS136	48" Step Riser	(A)
2	NSS169	24" Step Riser	(C)
1	NSS173R	46" Top Step Riser - RIGHT	(D)
1	NSS170L	46" Top Step Riser - LEFT	(E)
4	NSS107	42" Stair Brace Wall Insert	(H)
3	NSS300	48" Sundeck / Bench Riser	(L)
1	NSS302	24" Sundeck / Bench Riser	(M)
1	NSS303	2'RR Sundeck / Bench Riser	(P)
4	NSS147	Straight Stair Brace - 14.5" Tread	(U)
3	NSS150	Variable Sundeck Brace	(V)
1	NSS304	2 Piece Straight Stair Brace - Top Step	(W)
2	NSS306 (04N296-3)	24" Sundeck / Bench Brace	(Y)

### Included Stair Hardware

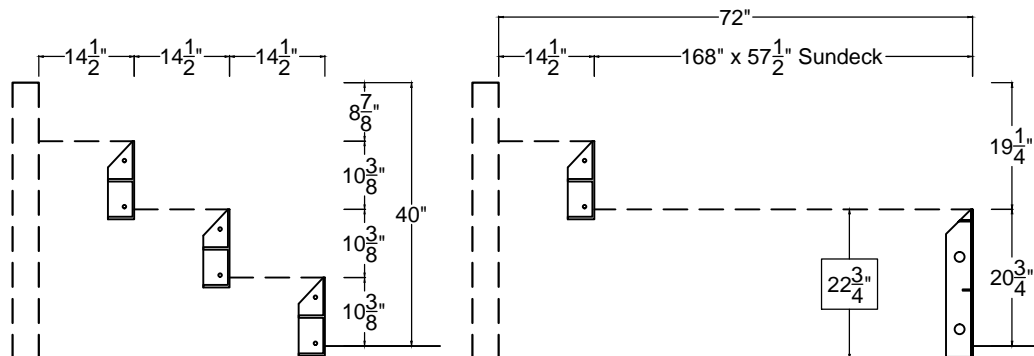
1	149271	3/8" x 18" Rebar - Bundle of 20	---
70	149664	3/8" Washer Head Hex Nut	---
70	149670	3/8" x 1 1/4" Washer Head Hex Bolt	---
40	42999	1 5/8" Clip Screw	---
1	TEK75	Tek Screws - Pack of 75	---
2	NSS111	Small Nexus L Clip	---
6	NSS1112	Large Nexus Brace Clip	---
7	NSS8BR	8' Bead Receiver	---



### Vinyl Works Liner Special Feature Item Numbers

**VW42SS202R-0614-06LB**

- 1) Steel braces will be attached BETWEEN sections on step treads. End flanges on adjoining step risers will create a pocket to insert the steel brace.
- 2) Steel braces NSS304 & NSS305 bolted together will create the standard NSS147 brace for full end step units.
- 3) Installer must specify the measurement of the sundeck area to ensure proper liner fit.
- 4) This Modular Step Unit can be made with 6" Radius Corners by installing the optional 6"R foam corner insert (GLAUC4442NT). One required per feature that must be cut to size. **ALWAYS SPECIFY CORNERS WHEN ORDERING THE POOL AND LINER.**



**NOTES FOR INSTALLER:**  
PERIMETER PANELS WILL REQUIRE DRILLING HOLES TO ATTACH STEP RISERS



# Imperial POOLS

## Polymer POOL SYSTEM

THIS STAIR / SUNDECK CONFORMS TO CURRENT *APSP/ANSI/ICC-5 2011* & *ISPS 2024* STANDARDS FOR RESIDENTIAL INGROUND SWIMMING POOLS

83

# 42SS202R-0614-06RB

Count	PART#	DESCRIPTION	LETTER
5	NSS136	48" Step Riser	(A)
2	NSS169	24" Step Riser	(C)
1	NSS173R	46" Top Step Riser - RIGHT	(D)
1	NSS170L	46" Top Step Riser - LEFT	(E)
4	NSS107	42" Stair Brace Wall Insert	(H)
3	NSS300	48" Sundeck / Bench Riser	(L)
1	NSS302	24" Sundeck / Bench Riser	(M)
1	NSS303	2"RR Sundeck / Bench Riser	(P)
4	NSS147	Straight Stair Brace - 14.5" Tread	(U)
3	NSS150	Variable Sundeck Brace	(V)
1	NSS304	2 Piece Straight Stair Brace - Top Step	(W)
2	NSS306 (04N296-3)	24" Sundeck / Bench Brace	(Y)

### Included Stair Hardware

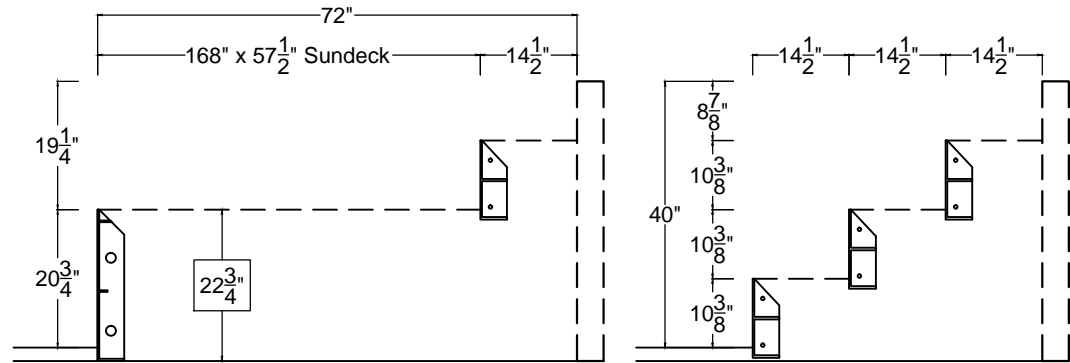
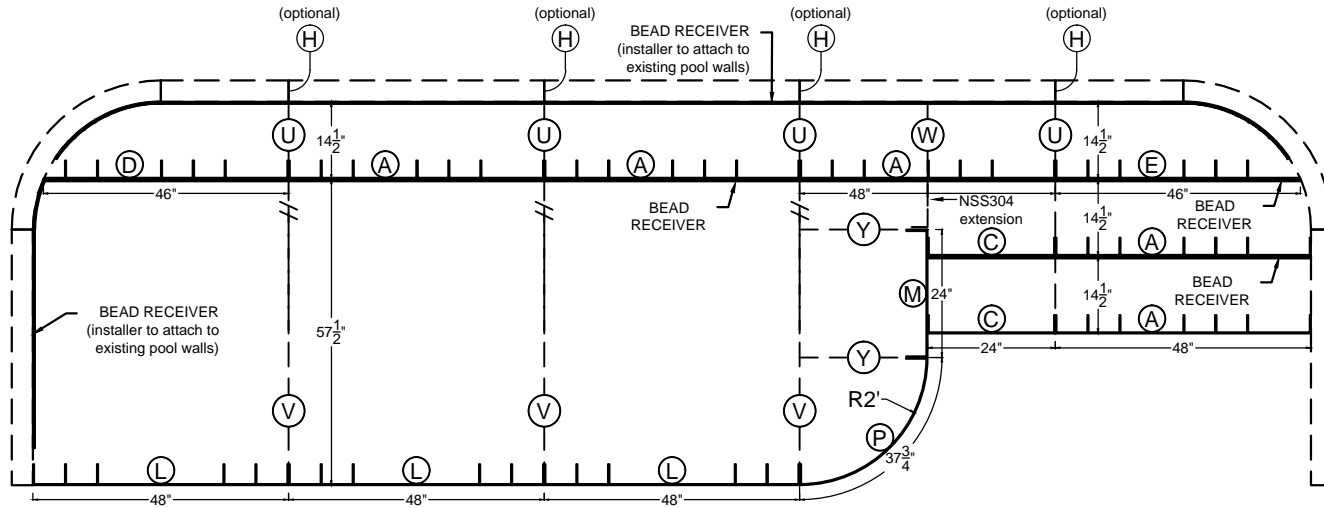
1	149271	3/8" x 18" Rebar - Bundle of 20	---
70	149664	3/8" Washer Head Hex Nut	---
70	149670	3/8" x 1 1/4" Washer Head Hex Bolt	---
40	42999	1 5/8" Clip Screw	---
1	TEK75	Tek Screws - Pack of 75	---
2	NSS111	Small Nexus L Clip	---
6	NSS1112	Large Nexus Brace Clip	---
7	NSS8BR	8' Bead Receiver	---

### Vinyl Works Liner Special Feature Item Numbers

**VW42SS202R-0614-06RB**

- 1) Steel braces will be attached BETWEEN sections on step treads. End flanges on adjoining step risers will create a pocket to insert the steel brace.
- 2) Steel braces NSS304 & NSS305 bolted together will create the standard NSS147 brace for full end step units.
- 3) Installer must specify the measurement of the sundeck area to ensure proper liner fit.
- 4) This Modular Step Unit can be made with 6" Radius Corners by installing the optional 6"R foam corner insert (GLAUC4442NT). One required per feature that must be cut to size. **ALWAYS SPECIFY CORNERS WHEN ORDERING THE POOL AND LINER.**

## 20' x 2'R Nexus Side-by-Side w/ 6' Stair & 14' x 6' Sundeck Right 42SS202R-0614-06RB



**NOTES FOR INSTALLER:**  
PERIMETER PANELS WILL REQUIRE DRILLING HOLES TO ATTACH STEP RISERS



# Imperial POOLS

# Polymer

POOL SYSTEM

THIS STAIR / SUNDECK CONFORMS TO CURRENT *APSP/ANSI/ICC-5 2011* & *ISPS 2024* STANDARDS FOR RESIDENTIAL INGROUND SWIMMING POOLS

84



# 42SS202R-0614-08LB

## 20' x 2'R Nexus Side-by-Side w/ 6' Stair & 14' x 8' Sundeck Left 42SS202R-0614-08LB

Count	PART#	DESCRIPTION	LETTER
5	NSS136	48" Step Riser	(A)
2	NSS169	24" Step Riser	(C)
1	NSS173R	46" Top Step Riser - RIGHT	(D)
1	NSS170L	46" Top Step Riser - LEFT	(E)
4	NSS107	42" Stair Brace Wall Insert	(H)
4	NSS300	48" Sundeck / Bench Riser	(L)
1	NSS303	2'RR Sundeck / Bench Riser	(P)
4	NSS147	Straight Stair Brace - 14.5" Tread	(U)
3	NSS150	Variable Sundeck Brace	(V)
1	NSS304	2 Piece Straight Stair Brace - Top Step	(W)
2	NSS306 (04N296-3)	24" Sundeck / Bench Brace	(Y)

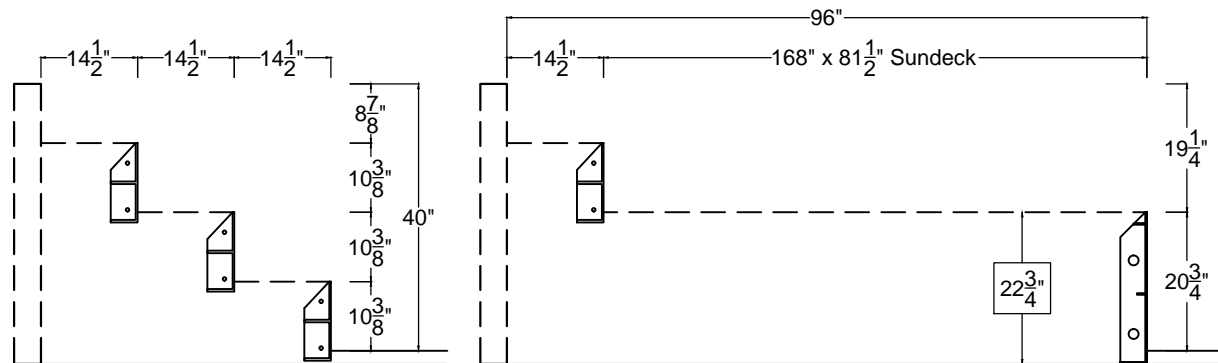
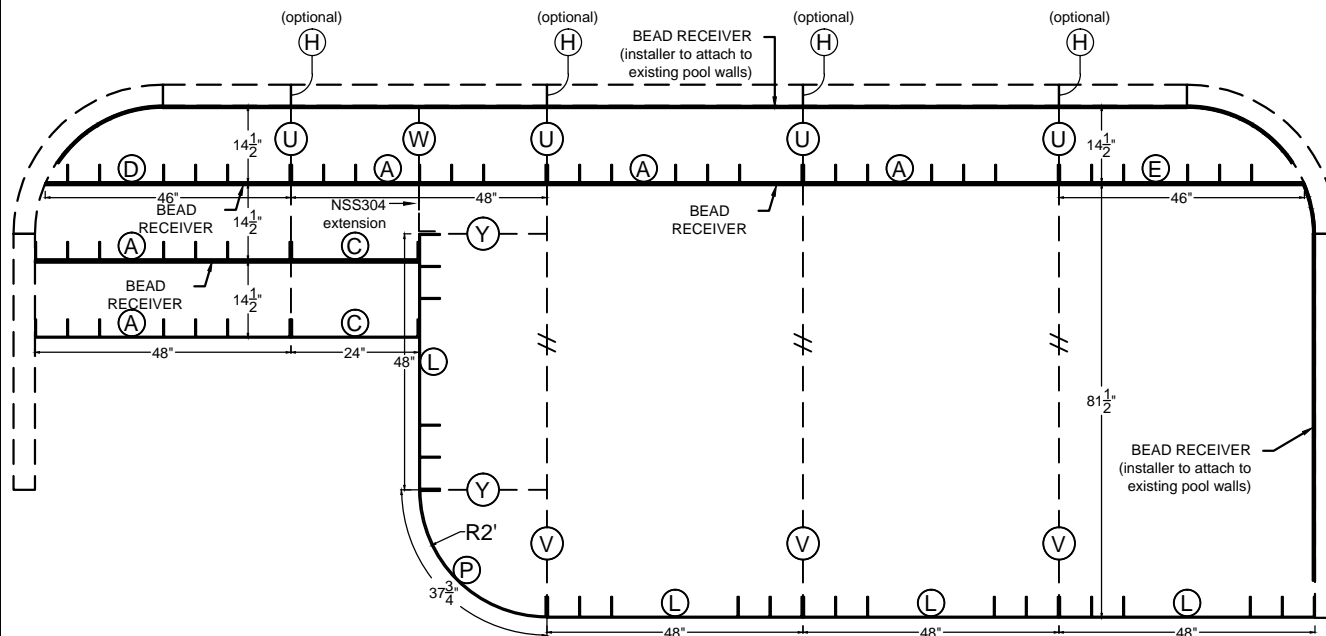
### Included Stair Hardware

1	149271	3/8" x 18" Rebar - Bundle of 20	---
70	149664	3/8" Washer Head Hex Nut	---
70	149670	3/8" x 1 1/4" Washer Head Hex Bolt	---
40	42999	1 5/8" Clip Screw	---
1	TEK75	Tek Screws - Pack of 75	---
2	NSS111	Small Nexus L Clip	---
6	NSS1112	Large Nexus Brace Clip	---
7	NSS8BR	8' Bead Receiver	---

### Vinyl Works Liner Special Feature Item Numbers

**VW42SS202R-0614-08LB**

- 1) Steel braces will be attached BETWEEN sections on step treads. End flanges on adjoining step risers will create a pocket to insert the steel brace.
- 2) Steel braces NSS304 & NSS305 bolted together will create the standard NSS147 brace for full end step units.
- 3) Installer must specify the measurement of the sundeck area to ensure proper liner fit.
- 4) This Modular Step Unit can be made with 6" Radius Corners by installing the optional 6"R foam corner insert (GLAUC4442NT). One required per feature that must be cut to size. **ALWAYS SPECIFY CORNERS WHEN ORDERING THE POOL AND LINER.**



**NOTES FOR INSTALLER:**  
PERIMETER PANELS WILL REQUIRE DRILLING HOLES TO ATTACH STEP RISERS



# Imperial POOLS

## Polymer POOL SYSTEM

THIS STAIR / SUNDECK CONFORMS TO CURRENT *APSP/ANSI/ICC-5 2011* & *ISPS 2024* STANDARDS FOR RESIDENTIAL INGROUND SWIMMING POOLS

85

# 42SS202R-0614-08RB

Count	PART#	DESCRIPTION	LETTER
5	NSS136	48" Step Riser	(A)
2	NSS169	24" Step Riser	(C)
1	NSS173R	46" Top Step Riser - RIGHT	(D)
1	NSS170L	46" Top Step Riser - LEFT	(E)
4	NSS107	42" Stair Brace Wall Insert	(H)
4	NSS300	48" Sundeck / Bench Riser	(L)
1	NSS303	2'RR Sundeck / Bench Riser	(P)
4	NSS147	Straight Stair Brace - 14.5" Tread	(U)
3	NSS150	Variable Sundeck Brace	(V)
1	NSS304	2 Piece Straight Stair Brace - Top Step	(W)
2	NSS306 (04N296-3)	24" Sundeck / Bench Brace	(Y)

### Included Stair Hardware

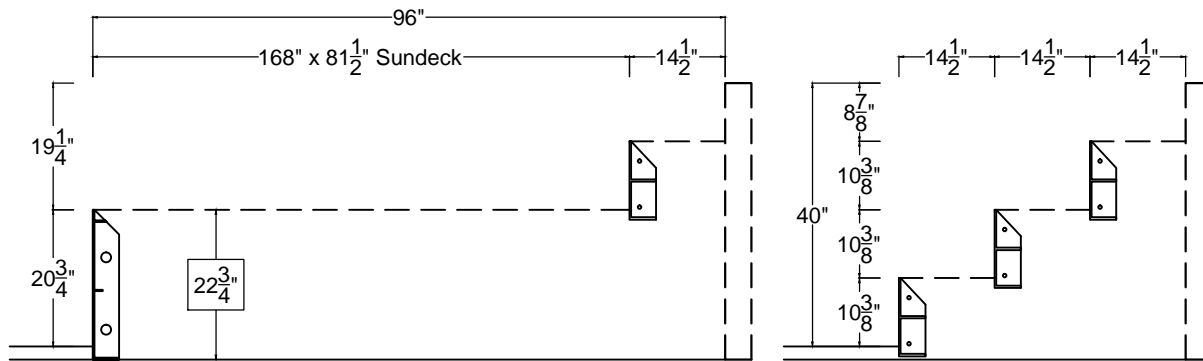
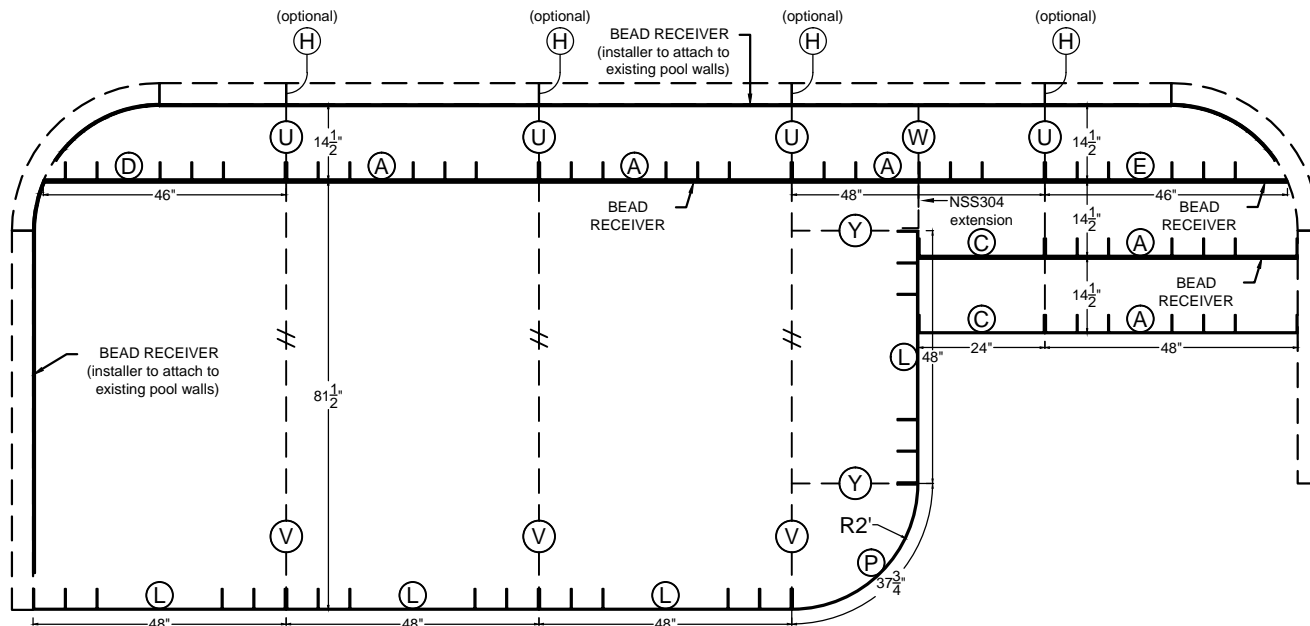
1	149271	3/8" x 18" Rebar - Bundle of 20	---
70	149664	3/8" Washer Head Hex Nut	---
70	149670	3/8" x 1 1/4" Washer Head Hex Bolt	---
40	42999	1 5/8" Clip Screw	---
1	TEK75	Tek Screws - Pack of 75	---
2	NSS111	Small Nexus L Clip	---
6	NSS1112	Large Nexus Brace Clip	---
7	NSS8BR	8' Bead Receiver	---

### Vinyl Works Liner Special Feature Item Numbers

**VW42SS202R-0614-08RB**

- 1) Steel braces will be attached BETWEEN sections on step treads. End flanges on adjoining step risers will create a pocket to insert the steel brace.
- 2) Steel braces NSS304 & NSS305 bolted together will create the standard NSS147 brace for full end step units.
- 3) Installer must specify the measurement of the sundeck area to ensure proper liner fit.
- 4) This Modular Step Unit can be made with 6" Radius Corners by installing the optional 6"R foam corner insert (GLAUC4442NT). One required per feature that must be cut to size. **ALWAYS SPECIFY CORNERS WHEN ORDERING THE POOL AND LINER.**

## 20' x 2'R Nexus Side-by-Side w/ 6' Stair & 14' x 8' Sundeck Right 42SS202R-0614-08RB



**NOTES FOR INSTALLER:**  
PERIMETER PANELS WILL REQUIRE DRILLING HOLES TO ATTACH STEP RISERS



**Polymer**  
POOL SYSTEM

THIS STAIR / SUNDECK CONFORMS TO CURRENT *APSP/ANSI/ICC-5 2011* & *ISPSA 2024* STANDARDS FOR RESIDENTIAL INGROUND SWIMMING POOLS

86

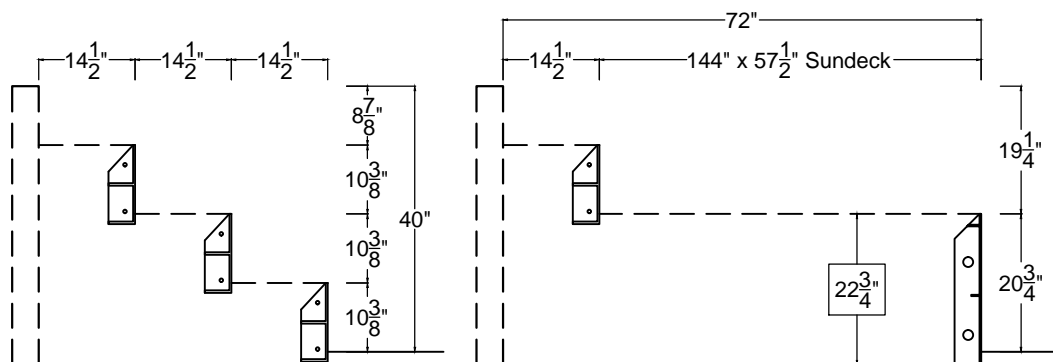
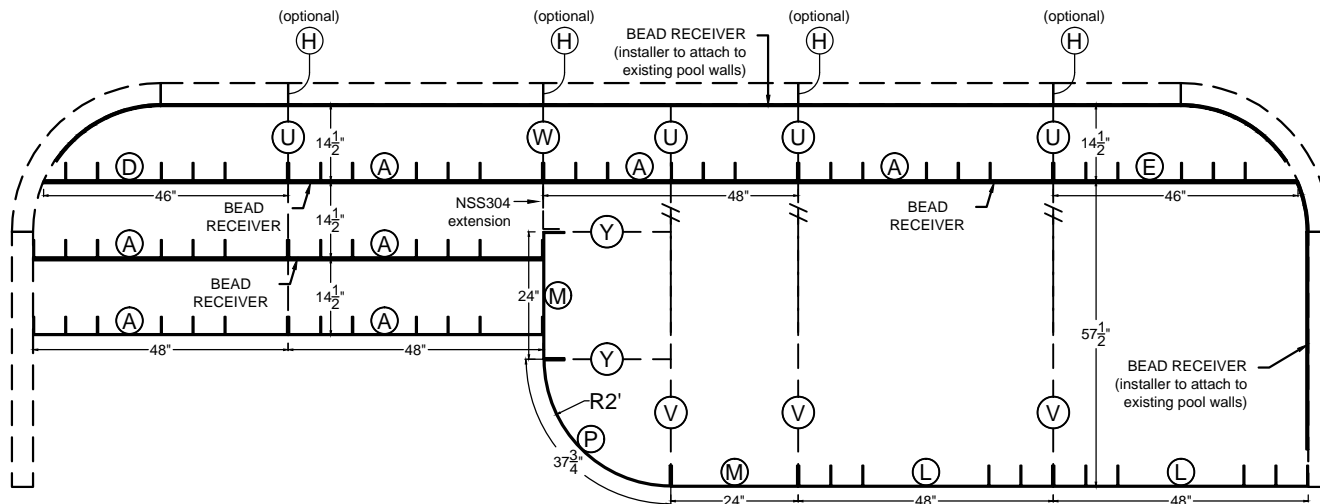
# 42SS202R-0812-06LB

## 20' x 2'R Nexus Side-by-Side w/ 8' Stair & 12' x 6' Sundeck Left 42SS202R-0812-06LB

Count	PART#	DESCRIPTION	LETTER
7	NSS136	48" Step Riser	(A)
1	NSS173R	46" Top Step Riser - RIGHT	(D)
1	NSS170L	46" Top Step Riser - LEFT	(E)
4	NSS107	42" Stair Brace Wall Insert	(H)
2	NSS300	48" Sundeck / Bench Riser	(L)
2	NSS302	24" Sundeck / Bench Riser	(M)
1	NSS303	2'RR Sundeck / Bench Riser	(P)
4	NSS147	Straight Stair Brace - 14.5" Tread	(U)
3	NSS150	Variable Sundeck Brace	(V)
1	NSS304	2 Piece Straight Stair Brace - Top Step	(W)
2	NSS306 (04N296-3)	24" Sundeck / Bench Brace	(Y)

### Included Stair Hardware

1	149271	3/8" x 18" Rebar - Bundle of 20	---
70	149664	3/8" Washer Head Hex Nut	---
70	149670	3/8" x 1 1/4" Washer Head Hex Bolt	---
40	42999	1 5/8" Clip Screw	---
1	TEK75	Tek Screws - Pack of 75	---
2	NSS111	Small Nexus L Clip	---
6	NSS1112	Large Nexus Brace Clip	---
7	NSS8BR	8' Bead Receiver	---



### Vinyl Works Liner Special Feature Item Numbers

**VW42SS202R-0812-06LB**

- 1) Steel braces will be attached BETWEEN sections on step treads. End flanges on adjoining step risers will create a pocket to insert the steel brace.
- 2) Steel braces NSS304 & NSS305 bolted together will create the standard NSS147 brace for full end step units.
- 3) Installer must specify the measurement of the sundeck area to ensure proper liner fit.
- 4) This Modular Step Unit can be made with 6" Radius Corners by installing the optional 6"R foam corner insert (GLAUC4442NT). One required per feature that must be cut to size. **ALWAYS SPECIFY CORNERS WHEN ORDERING THE POOL AND LINER.**

**NOTES FOR INSTALLER:**  
PERIMETER PANELS WILL REQUIRE DRILLING HOLES TO ATTACH STEP RISERS



# Imperial POOLS

# Polymer POOL SYSTEM

THIS STAIR / SUNDECK CONFORMS TO CURRENT *APSP/ANSI/ICC-5 2011* & *ISPS 2024* STANDARDS FOR RESIDENTIAL INGROUND SWIMMING POOLS

87

# 42SS202R-0812-06RB

Count	PART#	DESCRIPTION	LETTER
7	NSS136	48" Step Riser	(A)
1	NSS173R	46" Top Step Riser - RIGHT	(D)
1	NSS170L	46" Top Step Riser - LEFT	(E)
4	NSS107	42" Stair Brace Wall Insert	(H)
2	NSS300	48" Sundeck / Bench Riser	(L)
2	NSS302	24" Sundeck / Bench Riser	(M)
1	NSS303	2"RR Sundeck / Bench Riser	(P)
4	NSS147	Straight Stair Brace - 14.5" Tread	(U)
3	NSS150	Variable Sundeck Brace	(V)
1	NSS304	2 Piece Straight Stair Brace - Top Step	(W)
2	NSS306 (04N296-3)	24" Sundeck / Bench Brace	(Y)

### Included Stair Hardware

1	149271	3/8" x 18" Rebar - Bundle of 20	---
70	149664	3/8" Washer Head Hex Nut	---
70	149670	3/8" x 1 1/4" Washer Head Hex Bolt	---
40	42999	1 5/8" Clip Screw	---
1	TEK75	Tek Screws - Pack of 75	---
2	NSS111	Small Nexus L Clip	---
6	NSS1112	Large Nexus Brace Clip	---
7	NSS8BR	8' Bead Receiver	---

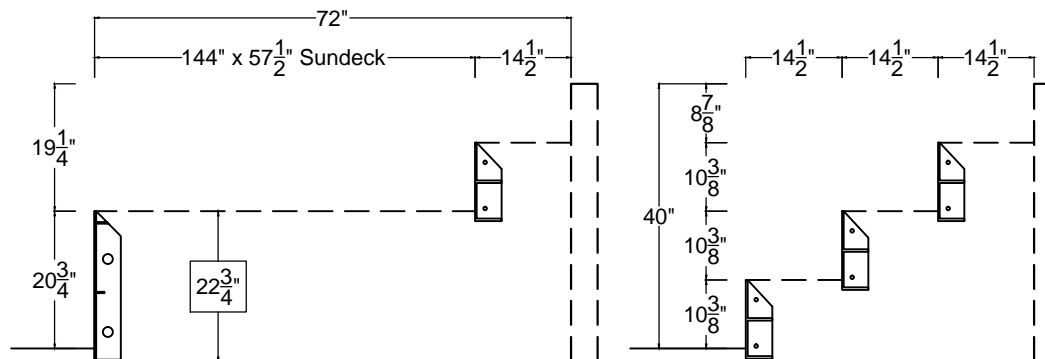
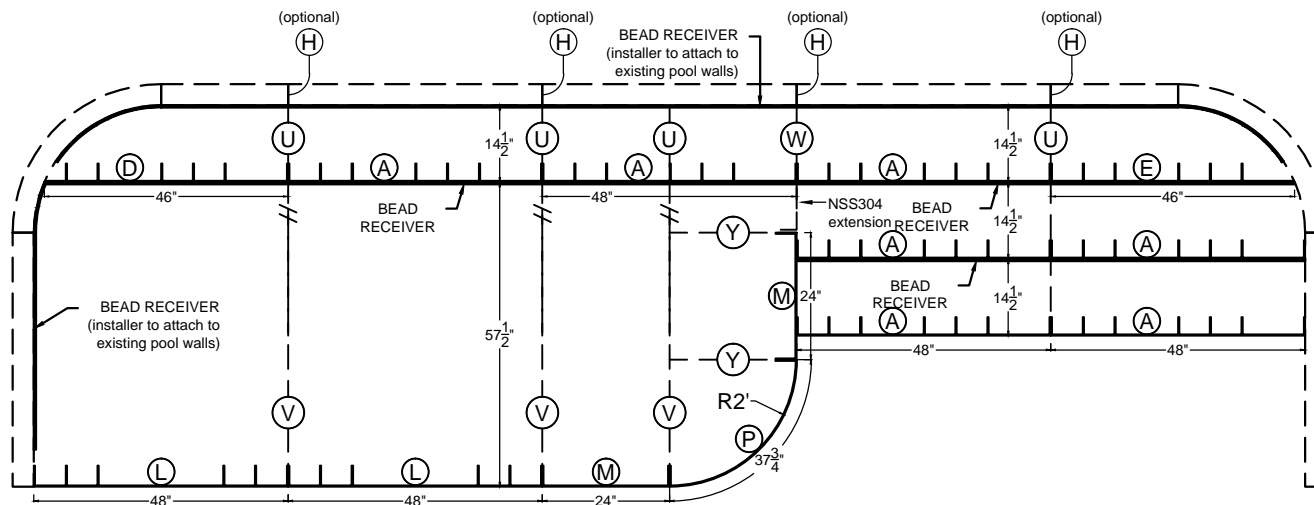
### Vinyl Works Liner Special Feature Item Numbers

**VW42SS202R-0812-06RB**

- 1) Steel braces will be attached BETWEEN sections on step treads. End flanges on adjoining step risers will create a pocket to insert the steel brace.
- 2) Steel braces NSS304 & NSS305 bolted together will create the standard NSS147 brace for full end step units.
- 3) Installer must specify the measurement of the sundeck area to ensure proper liner fit.
- 4) This Modular Step Unit can be made with 6" Radius Corners by installing the optional 6"R foam corner insert (GLAUC4442NT). One required per feature that must be cut to size. **ALWAYS SPECIFY CORNERS WHEN ORDERING THE POOL AND LINER.**

## 20' x 2'R Nexus Side-by-Side w/ 8' Stair & 12' x 6' Sundeck Right

### 42SS202R-0812-06RB



**NOTES FOR INSTALLER:**  
PERIMETER PANELS WILL REQUIRE DRILLING HOLES TO ATTACH STEP RISERS



# Imperial POOLS

# Polymer

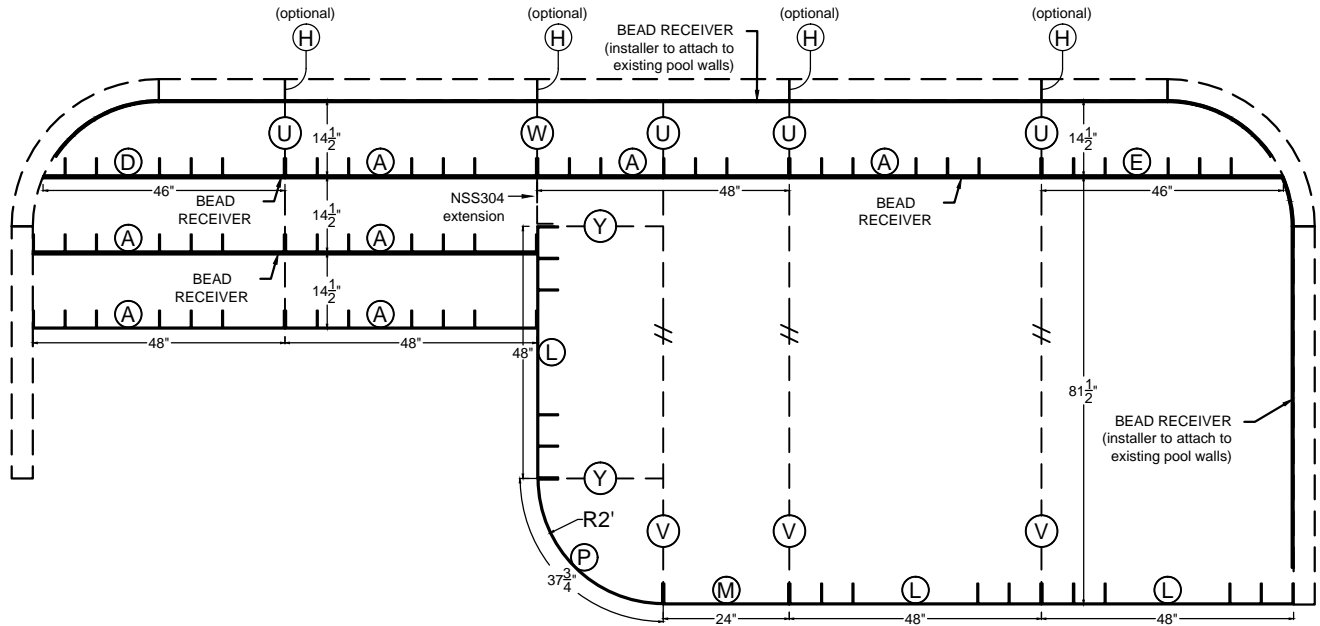
POOL SYSTEM

THIS STAIR / SUNDECK CONFORMS TO CURRENT *APSP/ANSI/ICC-5 2011* & *ISPSA 2024* STANDARDS FOR RESIDENTIAL INGROUND SWIMMING POOLS

88

# 42SS202R-0812-08LB

## 20' x 2'R Nexus Side-by-Side w/ 8' Stair & 12' x 8' Sundeck Left 42SS202R-0812-08LB

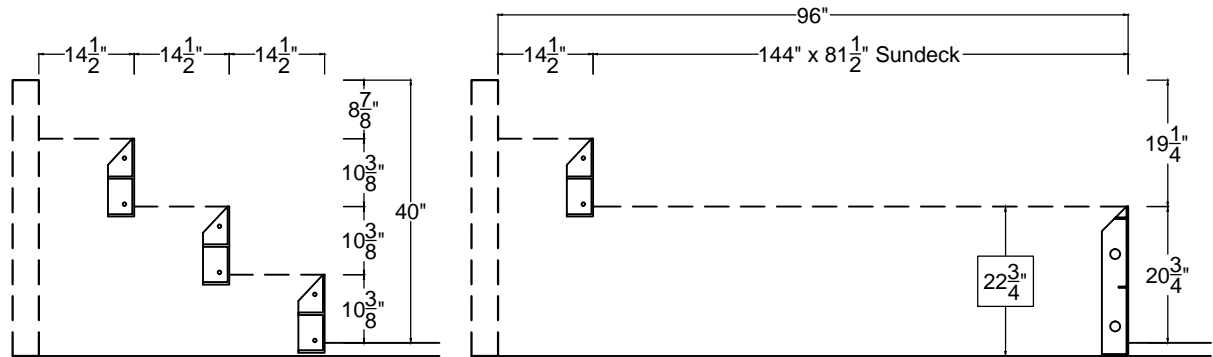


### Included Stair Hardware

Count	PART#	DESCRIPTION	LETTER
7	NSS136	48" Step Riser	(A)
1	NSS173R	46" Top Step Riser - RIGHT	(D)
1	NSS170L	46" Top Step Riser - LEFT	(E)
4	NSS107	42" Stair Brace Wall Insert	(H)
3	NSS300	48" Sundeck / Bench Riser	(L)
1	NSS302	24" Sundeck / Bench Riser	(M)
1	NSS303	2"RR Sundeck / Bench Riser	(P)
4	NSS147	Straight Stair Brace - 14.5" Tread	(U)
3	NSS150	Variable Sundeck Brace	(V)
1	NSS304	2 Piece Straight Stair Brace - Top Step	(W)
2	NSS306 (04N296-3)	24" Sundeck / Bench Brace	(Y)

### Vinyl Works Liner Special Feature Item Numbers VW42SS202R-0812-08LB

- 1) Steel braces will be attached BETWEEN sections on step treads. End flanges on adjoining step risers will create a pocket to insert the steel brace.
- 2) Steel braces NSS304 & NSS305 bolted together will create the standard NSS147 brace for full end step units.
- 3) Installer must specify the measurement of the sundeck area to ensure proper liner fit.
- 4) This Modular Step Unit can be made with 6" Radius Corners by installing the optional 6"R foam corner insert (GLAUC4442NT). One required per feature that must be cut to size. **ALWAYS SPECIFY CORNERS WHEN ORDERING THE POOL AND LINER.**



**NOTES FOR INSTALLER:**  
PERIMETER PANELS WILL REQUIRE DRILLING HOLES TO ATTACH STEP RISERS



**Polymer**  
POOL SYSTEM

THIS STAIR / SUNDECK CONFORMS TO CURRENT *APSP/ANSI/ICC-5 2011* & *ISPS 2024* STANDARDS FOR RESIDENTIAL INGROUND SWIMMING POOLS

89

# 42SS202R-0812-08RB

## 20' x 2'R Nexus Side-by-Side w/ 8' Stair & 12' x 8' Sundeck Right 42SS202R-0812-08RB

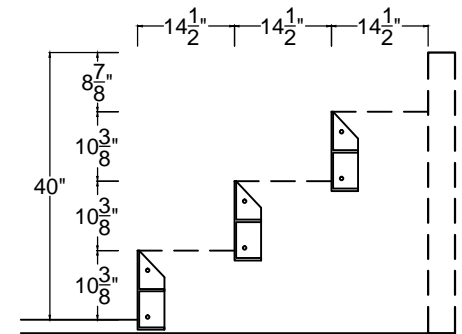
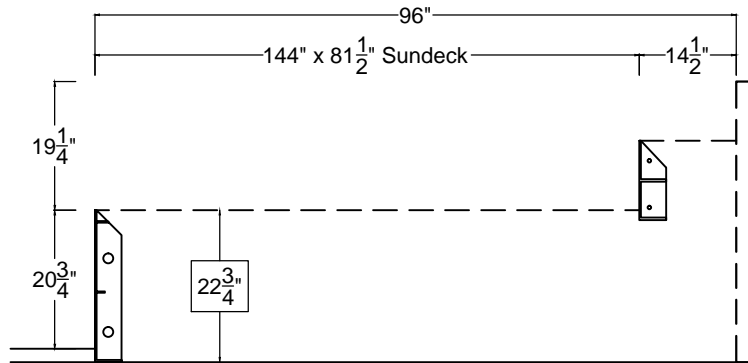
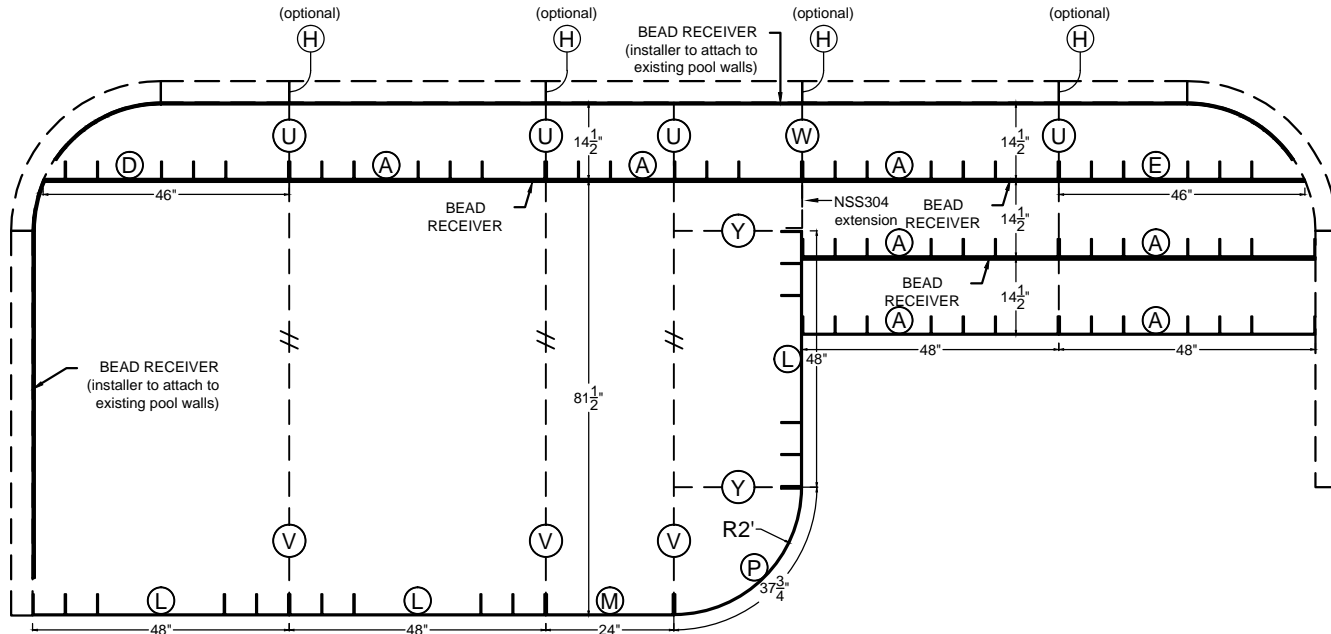
Count	PART#	DESCRIPTION	LETTER
7	NSS136	48" Step Riser	(A)
1	NSS173R	46" Top Step Riser - RIGHT	(D)
1	NSS170L	46" Top Step Riser - LEFT	(E)
4	NSS107	42" Stair Brace Wall Insert	(H)
3	NSS300	48" Sundeck / Bench Riser	(L)
1	NSS302	24" Sundeck / Bench Riser	(M)
1	NSS303	2"RR Sundeck / Bench Riser	(P)
4	NSS147	Straight Stair Brace - 14.5" Tread	(U)
3	NSS150	Variable Sundeck Brace	(V)
1	NSS304	2 Piece Straight Stair Brace - Top Step	(W)
2	NSS306 (04N296-3)	24" Sundeck / Bench Brace	(Y)

### Included Stair Hardware

1	149271	3/8" x 18" Rebar - Bundle of 20	---
70	149664	3/8" Washer Head Hex Nut	---
70	149670	3/8" x 1 1/4" Washer Head Hex Bolt	---
40	42999	1 5/8" Clip Screw	---
1	TEK75	Tek Screws - Pack of 75	---
2	NSS111	Small Nexus L Clip	---
6	NSS1112	Large Nexus Brace Clip	---
7	NSS8BR	8' Bead Receiver	---

### Vinyl Works Liner Special Feature Item Numbers VW42SS202R-0812-08RB

- Steel braces will be attached BETWEEN sections on step treads. End flanges on adjoining step risers will create a pocket to insert the steel brace.
- Steel braces NSS304 & NSS305 bolted together will create the standard NSS147 brace for full end step units.
- Installer must specify the measurement of the sundeck area to ensure proper liner fit.
- This Modular Step Unit can be made with 6" Radius Corners by installing the optional 6"R foam corner insert (GLAUC4442NT). One required per feature that must be cut to size. **ALWAYS SPECIFY CORNERS WHEN ORDERING THE POOL AND LINER.**



**NOTES FOR INSTALLER:**  
PERIMETER PANELS WILL REQUIRE DRILLING HOLES TO ATTACH STEP RISERS



**Polymer**  
POOL SYSTEM

THIS STAIR / SUNDECK CONFORMS TO CURRENT *APSP/ANSI/ICC-5 2011* & *ISPS 2024* STANDARDS FOR RESIDENTIAL INGROUND SWIMMING POOLS

90

# 42SS202R-1010-06LB

Count	PART#	DESCRIPTION	LETTER
7	NSS136	48" Step Riser	(A)
2	NSS169	24" Step Riser	(C)
1	NSS173R	46" Top Step Riser - RIGHT	(D)
1	NSS170L	46" Top Step Riser - LEFT	(E)
4	NSS107	42" Stair Brace Wall Insert	(H)
2	NSS300	48" Sundeck / Bench Riser	(L)
1	NSS302	24" Sundeck / Bench Riser	(M)
1	NSS303	2'RR Sundeck / Bench Riser	(P)
4	NSS147	Straight Stair Brace - 14.5" Tread	(U)
2	NSS150	Variable Sundeck Brace	(V)
1	NSS304	2 Piece Straight Stair Brace - Top Step	(W)
2	NSS306 (04N296-3)	24" Sundeck / Bench Brace	(Y)

### Included Stair Hardware

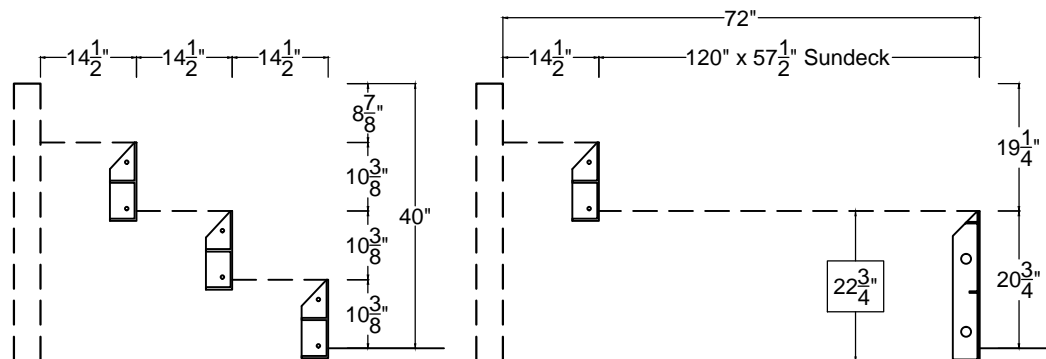
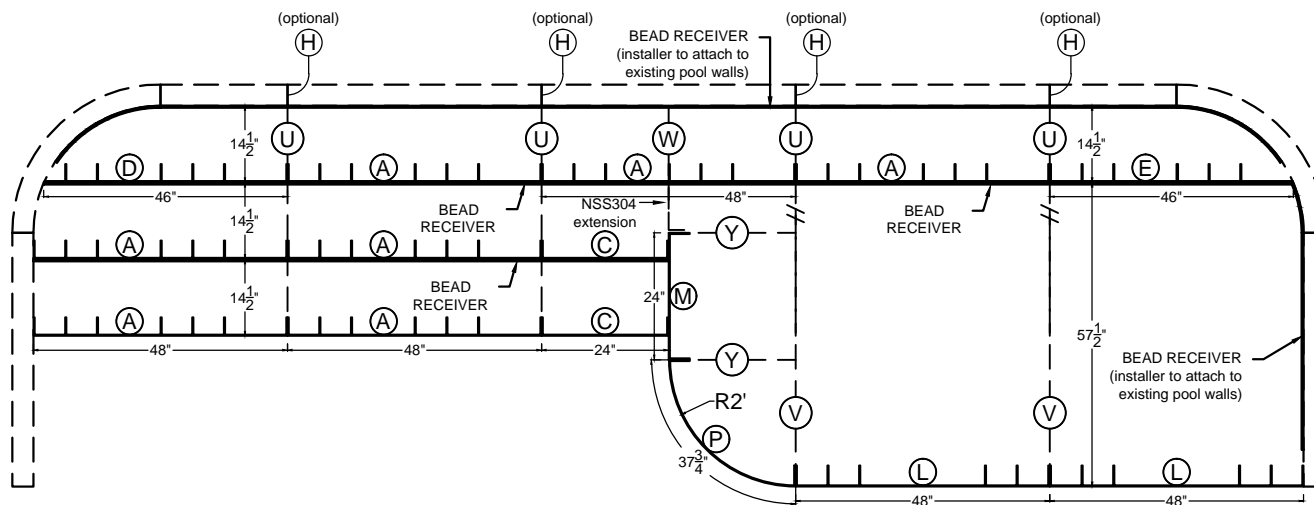
1	149271	3/8" x 18" Rebar - Bundle of 20	---
70	149664	3/8" Washer Head Hex Nut	---
70	149670	3/8" x 1 1/4" Washer Head Hex Bolt	---
40	42999	1 5/8" Clip Screw	---
1	TEK75	Tek Screws - Pack of 75	---
2	NSS111	Small Nexus L Clip	---
6	NSS1112	Large Nexus Brace Clip	---
7	NSS8BR	8' Bead Receiver	---

### Vinyl Works Liner Special Feature Item Numbers

**VW42SS202R-1010-06LB**

- Steel braces will be attached BETWEEN sections on step treads. End flanges on adjoining step risers will create a pocket to insert the steel brace.
- Steel braces NSS304 & NSS305 bolted together will create the standard NSS147 brace for full end step units.
- Installer must specify the measurement of the sundeck area to ensure proper liner fit.
- This Modular Step Unit can be made with 6" Radius Corners by installing the optional 6"R foam corner insert (GLAUC4442NT). One required per feature that must be cut to size. **ALWAYS SPECIFY CORNERS WHEN ORDERING THE POOL AND LINER.**

## 20' x 2'R Nexus Side-by-Side w/ 10' Stair & 10' x 6' Sundeck Left 42SS202R-1010-06LB



**NOTES FOR INSTALLER:**  
PERIMETER PANELS WILL REQUIRE DRILLING HOLES TO ATTACH STEP RISERS



**Polymer**  
POOL SYSTEM

THIS STAIR / SUNDECK CONFORMS TO CURRENT *APSP/ANSI/ICC-5 2011* & *ISPC 2024* STANDARDS FOR RESIDENTIAL INGROUND SWIMMING POOLS

91

# 42SS202R-1010-06RB

Count	PART#	DESCRIPTION	LETTER
7	NSS136	48" Step Riser	(A)
2	NSS169	24" Step Riser	(C)
1	NSS173R	46" Top Step Riser - RIGHT	(D)
1	NSS170L	46" Top Step Riser - LEFT	(E)
4	NSS107	42" Stair Brace Wall Insert	(H)
2	NSS300	48" Sundeck / Bench Riser	(L)
1	NSS302	24" Sundeck / Bench Riser	(M)
1	NSS303	2'RR Sundeck / Bench Riser	(P)
4	NSS147	Straight Stair Brace - 14.5" Tread	(U)
2	NSS150	Variable Sundeck Brace	(V)
1	NSS304	2 Piece Straight Stair Brace - Top Step	(W)
2	NSS306 (04N296-3)	24" Sundeck / Bench Brace	(Y)

### Included Stair Hardware

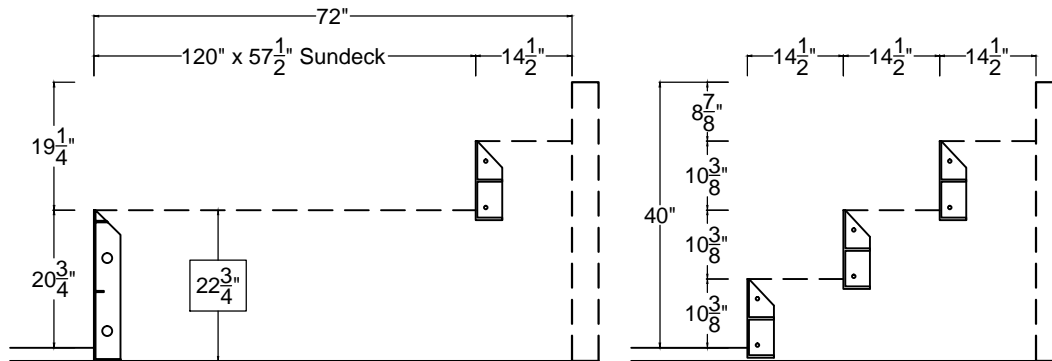
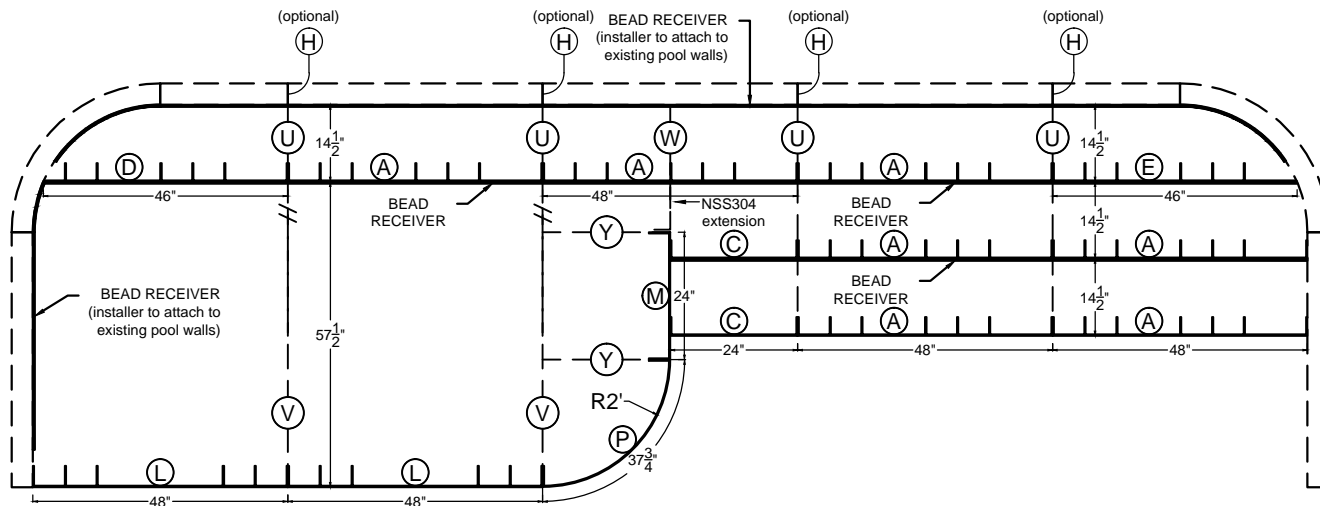
1	149271	3/8" x 18" Rebar - Bundle of 20	---
70	149664	3/8" Washer Head Hex Nut	---
70	149670	3/8" x 1 1/4" Washer Head Hex Bolt	---
40	42999	1 5/8" Clip Screw	---
1	TEK75	Tek Screws - Pack of 75	---
2	NSS111	Small Nexus L Clip	---
6	NSS1112	Large Nexus Brace Clip	---
7	NSS8BR	8' Bead Receiver	---

### Vinyl Works Liner Special Feature Item Numbers

**VW42SS202R-1010-06RB**

- 1) Steel braces will be attached BETWEEN sections on step treads. End flanges on adjoining step risers will create a pocket to insert the steel brace.
- 2) Steel braces NSS304 & NSS305 bolted together will create the standard NSS147 brace for full end step units.
- 3) Installer must specify the measurement of the sundeck area to ensure proper liner fit.
- 4) This Modular Step Unit can be made with 6" Radius Corners by installing the optional 6"R foam corner insert (GLAUC4442NT). One required per feature that must be cut to size. **ALWAYS SPECIFY CORNERS WHEN ORDERING THE POOL AND LINER.**

## 20' x 2'R Nexus Side-by-Side w/ 10' Stair & 10' x 6' Sundeck Right 42SS202R-1010-06RB



**NOTES FOR INSTALLER:**  
PERIMETER PANELS WILL REQUIRE DRILLING HOLES TO ATTACH STEP RISERS



# Imperial POOLS

# Polymer

POOL SYSTEM

THIS STAIR / SUNDECK CONFORMS TO CURRENT *APSP/ANSI/ICC-5 2011* & *ISPSA 2024* STANDARDS FOR RESIDENTIAL INGROUND SWIMMING POOLS

92



# 42SS202R-1010-08LB

20' x 2'R Nexus Side-by-Side w/ 10' Stair & 10' x 8' Sundeck Left

## 42SS202R-1010-08LB

Count	PART#	DESCRIPTION	LETTER
7	NSS136	48" Step Riser	(A)
2	NSS169	24" Step Riser	(C)
1	NSS173R	46" Top Step Riser - RIGHT	(D)
1	NSS170L	46" Top Step Riser - LEFT	(E)
4	NSS107	42" Stair Brace Wall Insert	(H)
3	NSS300	48" Sundeck / Bench Riser	(L)
1	NSS303	2'RR Sundeck / Bench Riser	(P)
4	NSS147	Straight Stair Brace - 14.5" Tread	(U)
2	NSS150	Variable Sundeck Brace	(V)
1	NSS304	2 Piece Straight Stair Brace - Top Step	(W)
2	NSS306 (04N296-3)	24" Sundeck / Bench Brace	(Y)

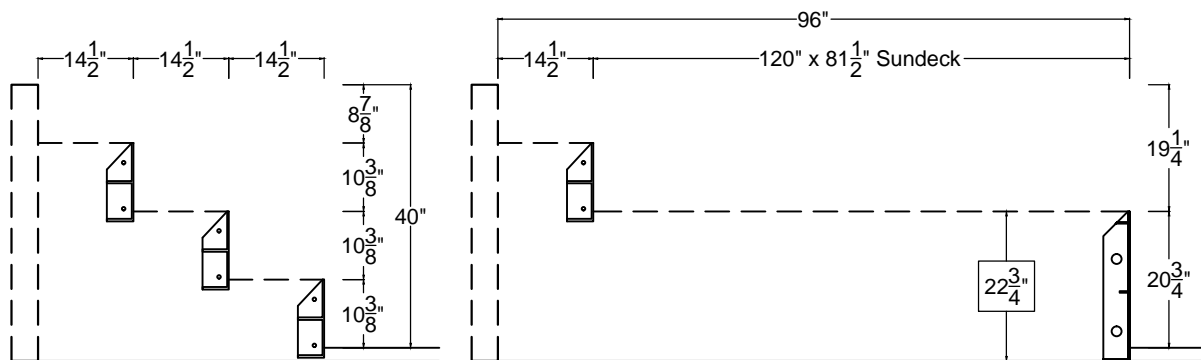
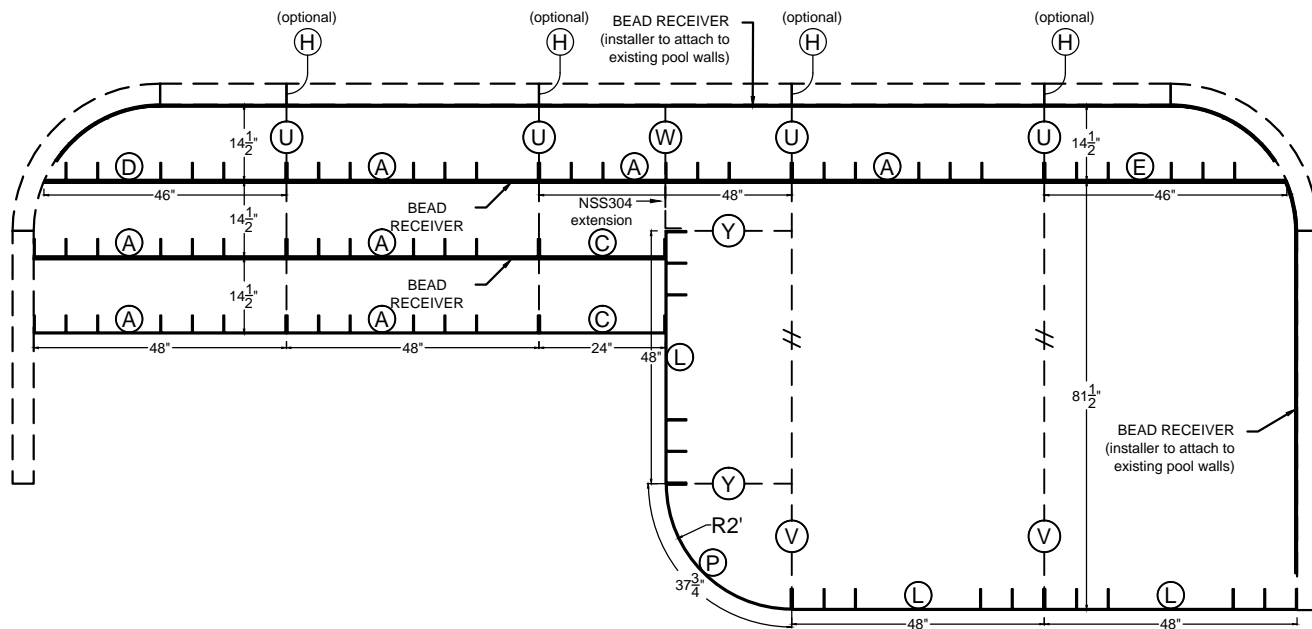
### Included Stair Hardware

1	149271	3/8" x 18" Rebar - Bundle of 20	---
70	149664	3/8" Washer Head Hex Nut	---
70	149670	3/8" x 1 1/4" Washer Head Hex Bolt	---
40	42999	1 5/8" Clip Screw	---
1	TEK75	Tek Screws - Pack of 75	---
2	NSS111	Small Nexus L Clip	---
6	NSS1112	Large Nexus Brace Clip	---
8	NSS8BR	8' Bead Receiver	---

### Vinyl Works Liner Special Feature Item Numbers

VW42SS202R-1010-08LB

- 1) Steel braces will be attached BETWEEN sections on step treads. End flanges on adjoining step risers will create a pocket to insert the steel brace.
- 2) Steel braces NSS304 & NSS305 bolted together will create the standard NSS147 brace for full end step units.
- 3) Installer must specify the measurement of the sundeck area to ensure proper liner fit.
- 4) This Modular Step Unit can be made with 6" Radius Corners by installing the optional 6"R foam corner insert (GLAUC4442NT). One required per feature that must be cut to size. **ALWAYS SPECIFY CORNERS WHEN ORDERING THE POOL AND LINER.**



**NOTES FOR INSTALLER:**  
PERIMETER PANELS WILL REQUIRE DRILLING HOLES TO ATTACH STEP RISERS



# Imperial POOLS

# Polymer POOL SYSTEM

THIS STAIR / SUNDECK CONFORMS TO CURRENT *APSP/ANSI/ICC-5 2011* & *ISPS 2024* STANDARDS FOR RESIDENTIAL INGROUND SWIMMING POOLS

93

# 42SS202R-1010-08RB

## 20' x 2'R Nexus Side-by-Side w/ 10' Stair & 10' x 8' Sundeck Right 42SS202R-1010-08RB

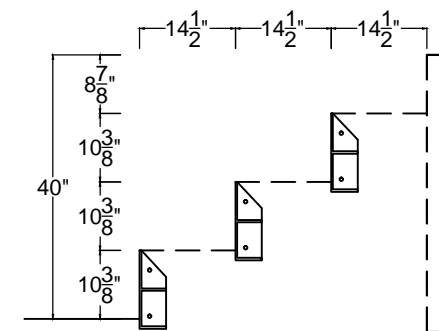
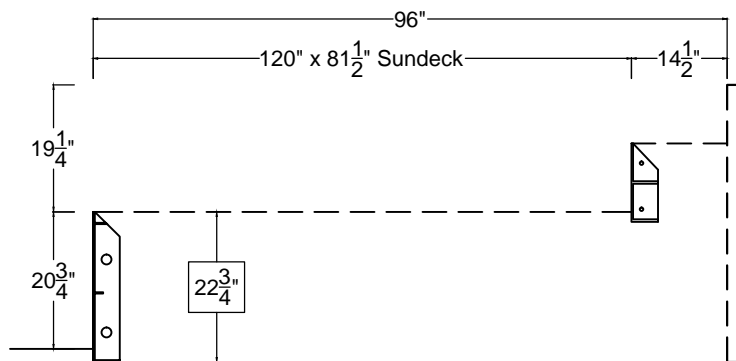
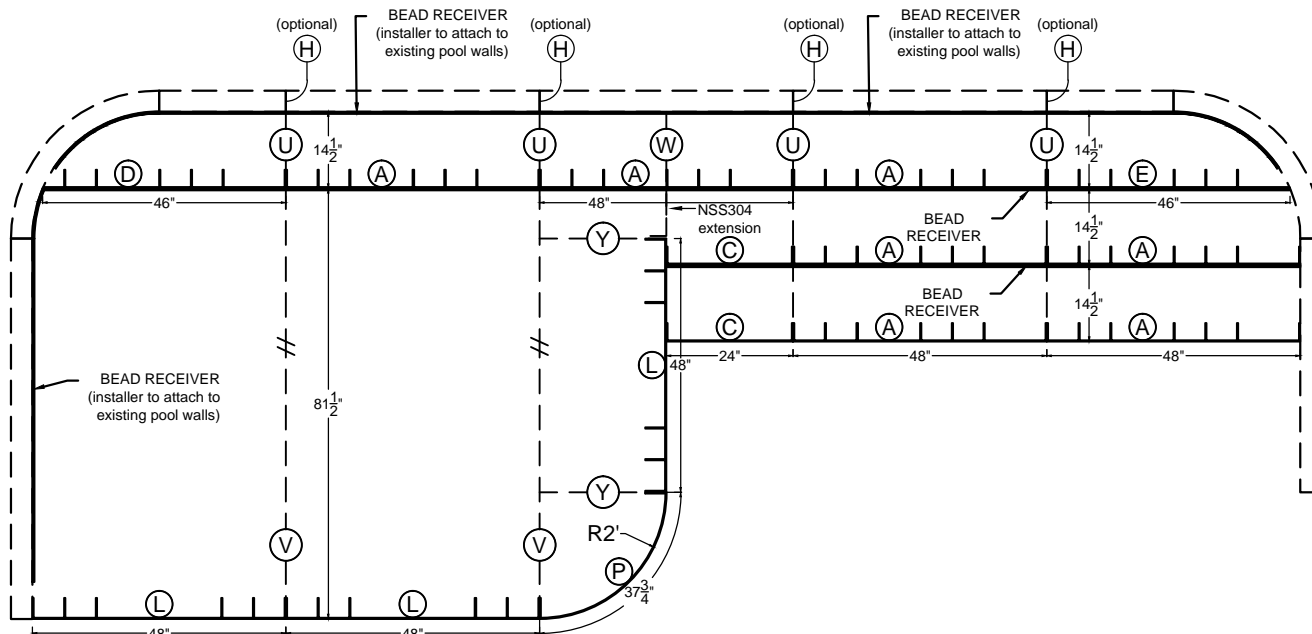
Count	PART#	DESCRIPTION	LETTER
7	NSS136	48" Step Riser	(A)
2	NSS169	24" Step Riser	(C)
1	NSS173R	46" Top Step Riser - RIGHT	(D)
1	NSS170L	46" Top Step Riser - LEFT	(E)
4	NSS107	42" Stair Brace Wall Insert	(H)
3	NSS300	48" Sundeck / Bench Riser	(L)
1	NSS303	2'RR Sundeck / Bench Riser	(P)
4	NSS147	Straight Stair Brace - 14.5" Tread	(U)
2	NSS150	Variable Sundeck Brace	(V)
1	NSS304	2 Piece Straight Stair Brace - Top Step	(W)
2	NSS306 (04N296-3)	24" Sundeck / Bench Brace	(Y)

### Included Stair Hardware

1	149271	3/8" x 18" Rebar - Bundle of 20	---
70	149664	3/8" Washer Head Hex Nut	---
70	149670	3/8" x 1 1/4" Washer Head Hex Bolt	---
40	42999	1 5/8" Clip Screw	---
1	TEK75	Tek Screws - Pack of 75	---
2	NSS111	Small Nexus L Clip	---
6	NSS1112	Large Nexus Brace Clip	---
8	NSS8BR	8' Bead Receiver	---

### Vinyl Works Liner Special Feature Item Numbers VW42SS202R-1010-08RB

- 1) Steel braces will be attached BETWEEN sections on step treads. End flanges on adjoining step risers will create a pocket to insert the steel brace.
- 2) Steel braces NSS304 & NSS305 bolted together will create the standard NSS147 brace for full end step units.
- 3) Installer must specify the measurement of the sundeck area to ensure proper liner fit.
- 4) This Modular Step Unit can be made with 6" Radius Corners by installing the optional 6"R foam corner insert (GLAUC4442NT). One required per feature that must be cut to size. **ALWAYS SPECIFY CORNERS WHEN ORDERING THE POOL AND LINER.**



**NOTES FOR INSTALLER:**  
PERIMETER PANELS WILL REQUIRE DRILLING HOLES TO ATTACH STEP RISERS



**Polymer**  
POOL SYSTEM

THIS STAIR / SUNDECK CONFORMS TO CURRENT APSP/ANSI/ICC-5 2011 & ISPSC 2024 STANDARDS FOR RESIDENTIAL INGROUND SWIMMING POOLS

94

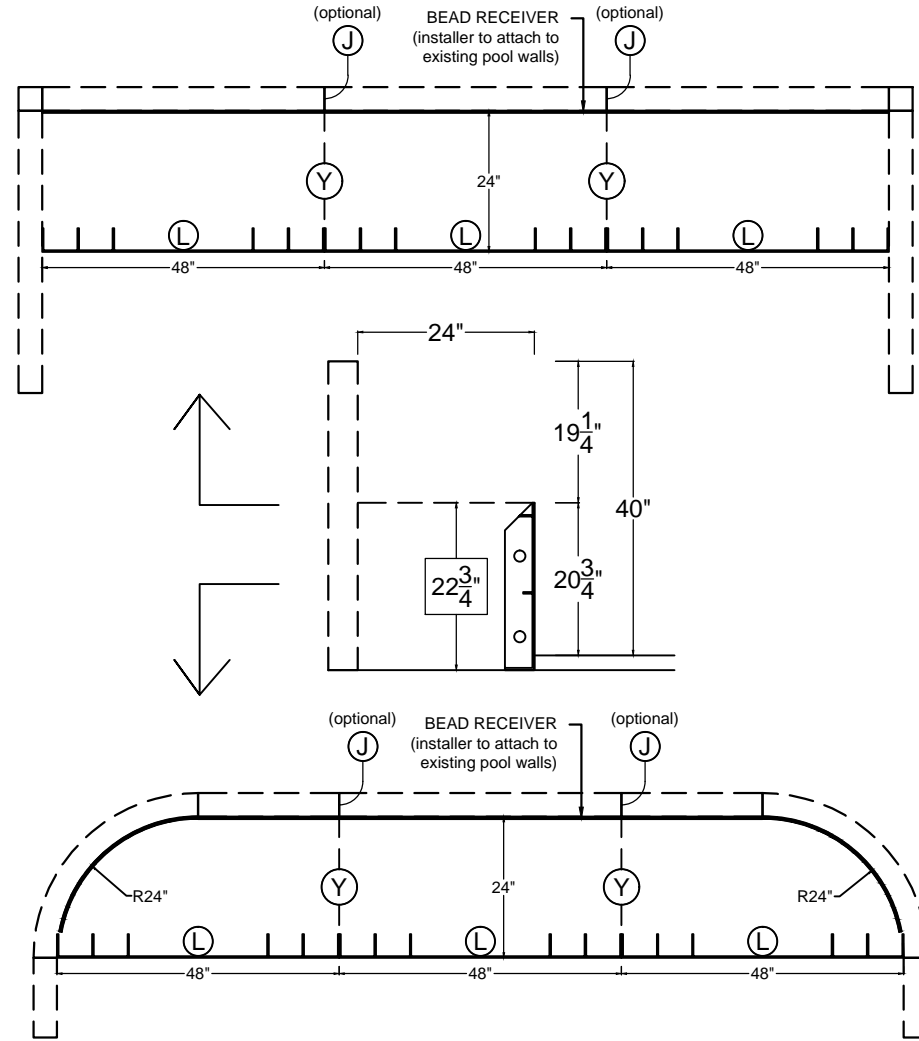
# 42VB24FE-12B

# 12' x 24" - 6", 90°, or 2'R - Nexus Full End Bench 42VB24FE-12B

Count	PART#	DESCRIPTION	LETTER
2	NSS227	42" Bench Brace Wall Insert	(J)
3	NSS300	48" Sundeck / Bench Riser	(L)
2	NSS306 (04N296-3)	24" Sundeck / Bench Brace	(Y)

### Included Stair Hardware

1	149271	3/8" x 18" Rebar - Bundle of 20	---
30	149664	3/8" Washer Head Hex Nut	---
30	149670	3/8" x 1 1/4" Washer Head Hex Bolt	---
24	42999	1 5/8" Clip Screw	---
1	TEK75	Tek Screws - Pack of 75	---
4	NSS1112	Large Nexus Brace Clip	---
2	NSS8BR	8' Bead Receiver	---



**NOTES FOR INSTALLER:**  
PERIMETER PANELS WILL REQUIRE DRILLING HOLES TO ATTACH STEP RISERS



# Imperial POOLS

**ALWAYS SPECIFY 6", 90°, OR 2'R CORNERS WHEN ORDERING THE POOL AND LINER.**

# Polymer POOL SYSTEM

THIS STAIR / SUNDECK CONFORMS TO CURRENT *APSP/ANSI/ICC-5 2011* & *ISPS 2024* STANDARDS FOR RESIDENTIAL INGROUND SWIMMING POOLS

95

# 42VB24FE-14B

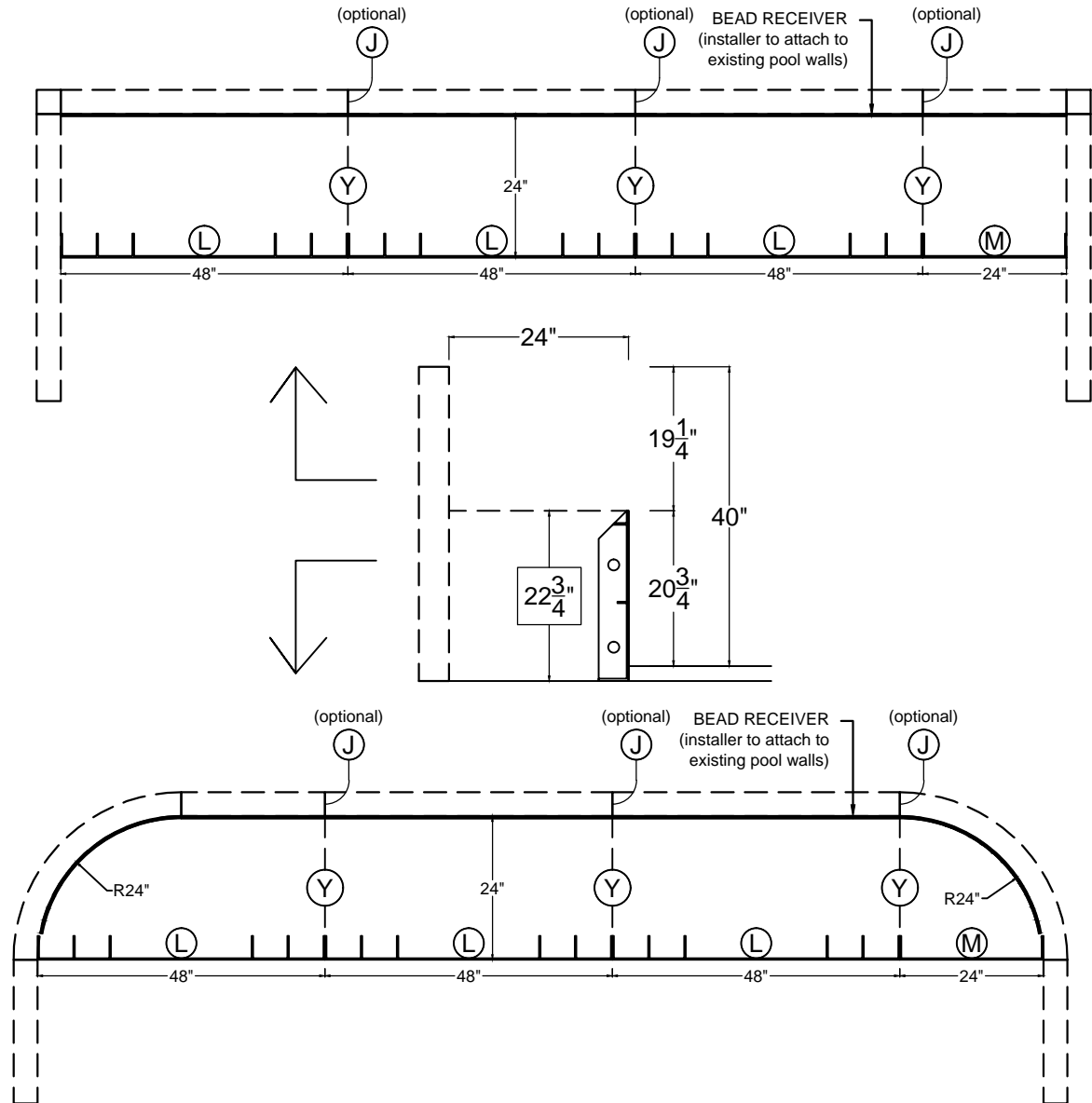
Count	PART#	DESCRIPTION	LETTER
3	NSS227	42" Bench Brace Wall Insert	(J)
3	NSS306 (04N296-3)	24" Sundeck / Bench Brace	(Y)
4	NSS300	48" Sundeck / Bench Riser	(L)
1	NSS302	24" Sundeck / Bench Riser	(M)

### Included Stair Hardware

1	149271	3/8" x 18" Rebar - Bundle of 20	---
30	149664	3/8" Washer Head Hex Nut	---
30	149670	3/8" x 1 1/4" Washer Head Hex Bolt	---
24	42999	1 5/8" Clip Screw	---
1	TEK75	Tek Screws - Pack of 75	---
4	NSS1112	Large Nexus Brace Clip	---
2	NSS8BR	8' Bead Receiver	---

# 14' x 24" - 6", 90°, or 2'R - Nexus Full End Bench

## 42VB24FE-14B



**NOTES FOR INSTALLER:**  
PERIMETER PANELS WILL REQUIRE DRILLING HOLES TO ATTACH STEP RISERS



# Imperial POOLS

**ALWAYS SPECIFY 6", 90°, OR 2'R CORNERS WHEN ORDERING THE POOL AND LINER.**

# Polymer POOL SYSTEM

THIS STAIR / SUNDECK CONFORMS TO CURRENT *APSP/ANSI/ICC-5 2011* & *ISPS 2024* STANDARDS FOR RESIDENTIAL INGROUND SWIMMING POOLS

96

# 42VB24FE-16B

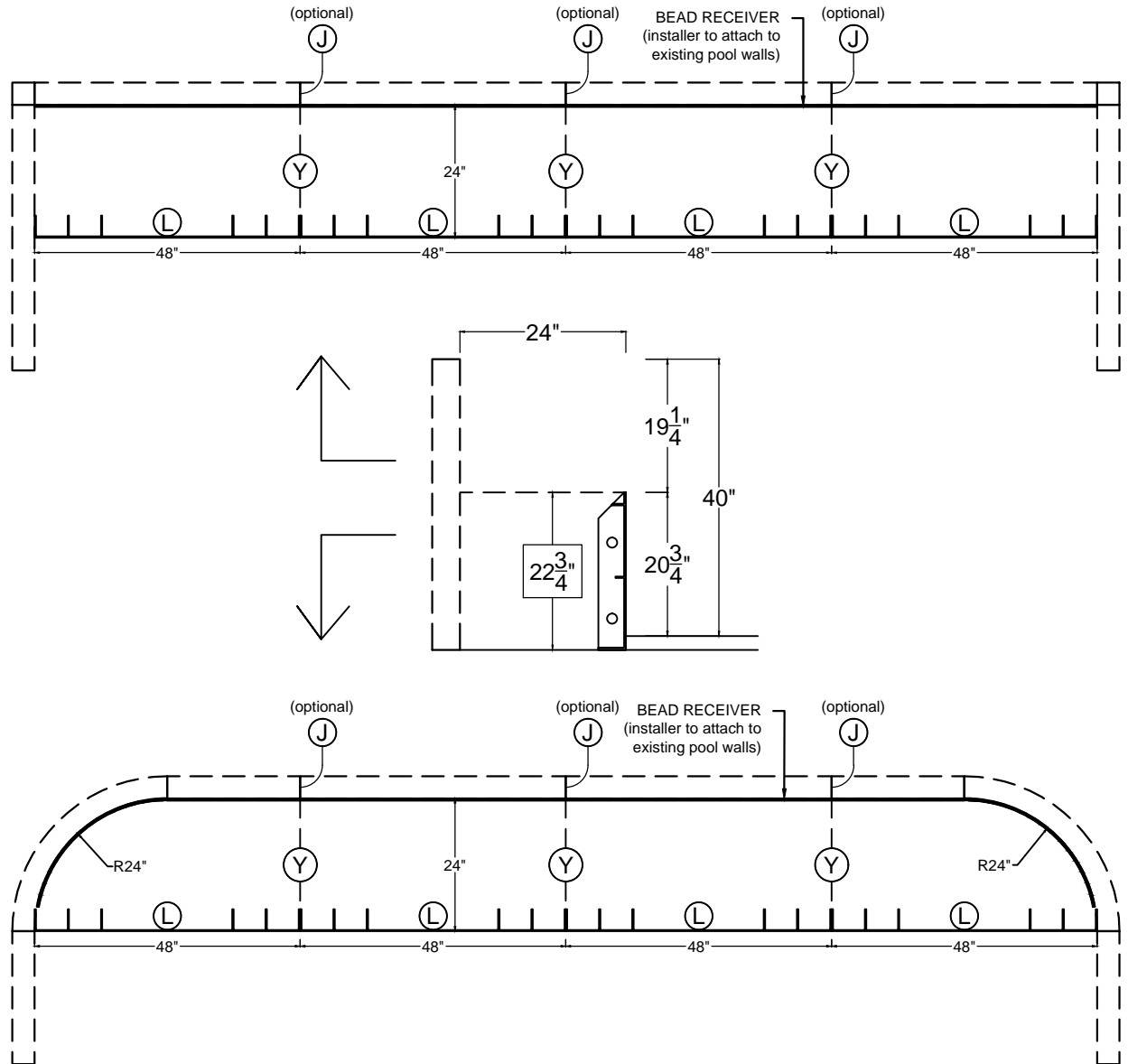
Count	PART#	DESCRIPTION	LETTER
3	NSS227	42" Bench Brace Wall Insert	(J)
4	NSS300	48" Sundeck / Bench Riser	(L)
3	NSS306 (04N296-3)	24" Sundeck / Bench Brace	(Y)

### Included Stair Hardware

1	149271	3/8" x 18" Rebar - Bundle of 20	---
30	149664	3/8" Washer Head Hex Nut	---
30	149670	3/8" x 1 1/4" Washer Head Hex Bolt	---
24	42999	1 5/8" Clip Screw	---
1	TEK75	Tek Screws - Pack of 75	---
4	NSS1112	Large Nexus Brace Clip	---
2	NSS8BR	8' Bead Receiver	---

# 16' x 24" - 6", 90°, or 2'R - Nexus Full End Bench

## 42VB24FE-16B



**NOTES FOR INSTALLER:**  
PERIMETER PANELS WILL REQUIRE DRILLING HOLES TO ATTACH STEP RISERS



# Imperial POOLS

**ALWAYS SPECIFY 6", 90° OR 2'R CORNERS WHEN ORDERING THE POOL AND LINER.**

# Polymer POOL SYSTEM

THIS STAIR / SUNDECK CONFORMS TO CURRENT *APSP/ANSI/ICC-5 2011* & *ISPSA 2024* STANDARDS FOR RESIDENTIAL INGROUND SWIMMING POOLS

97

# 42VB24FE-18B

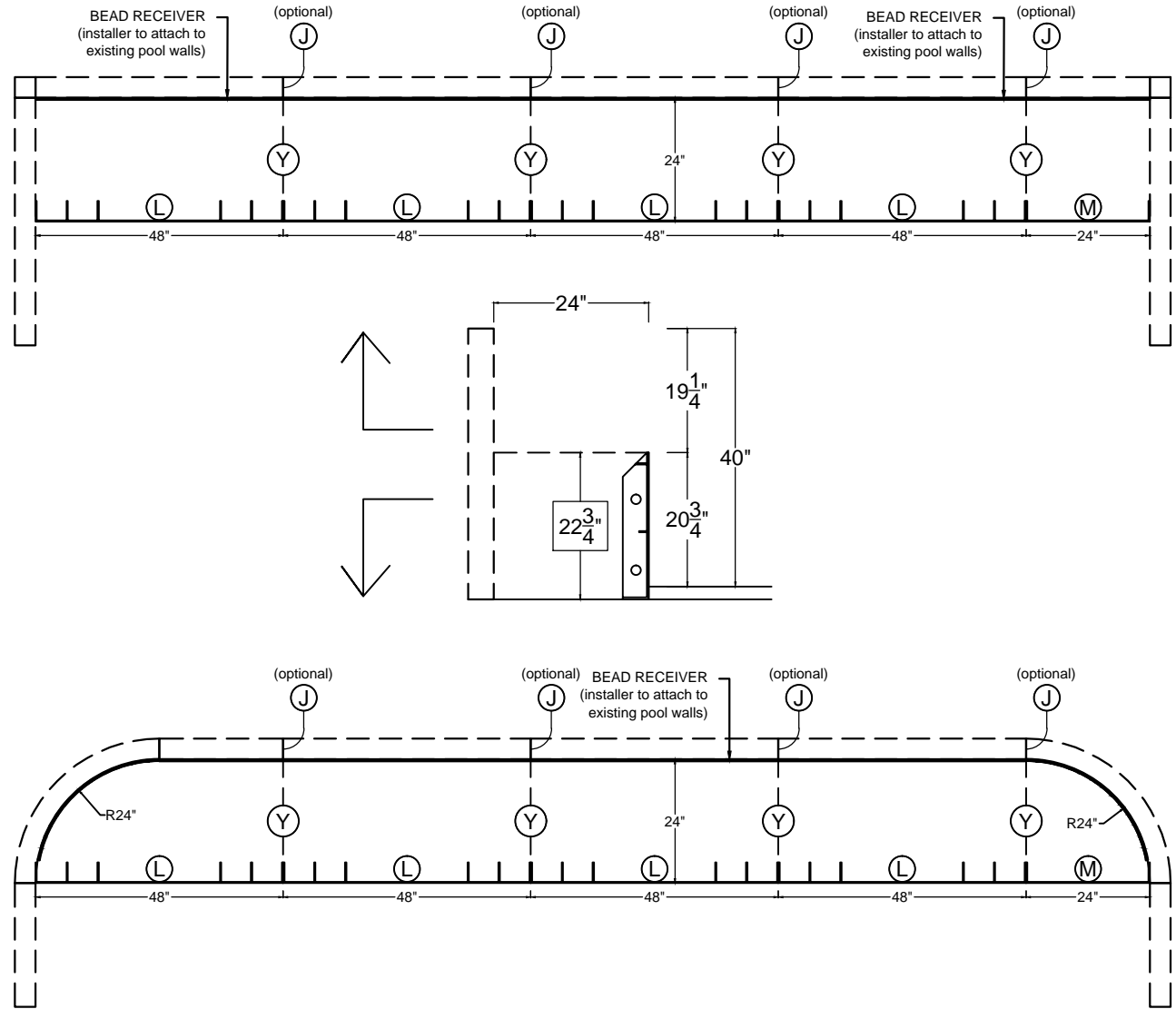
Count	PART#	DESCRIPTION	LETTER
4	NSS227	42" Bench Brace Wall Insert	(J)
4	NSS300	48" Sundeck / Bench Riser	(L)
1	NSS302	24" Sundeck / Bench Riser	(M)
4	NSS306 (04N296-3)	24" Sundeck / Bench Brace	(Y)

### Included Stair Hardware

1	149271	3/8" x 18" Rebar - Bundle of 20	---
30	149664	3/8" Washer Head Hex Nut	---
30	149670	3/8" x 1 1/4" Washer Head Hex Bolt	---
24	42999	1 5/8" Clip Screw	---
1	TEK75	Tek Screws - Pack of 75	---
4	NSS1112	Large Nexus Brace Clip	---
3	NSS8BR	8" Bead Receiver	---

18' x 24" - 6", 90°, or 2'R - Nexus Full End Bench

## 42VB24FE-18B



**NOTES FOR INSTALLER:**  
PERIMETER PANELS WILL REQUIRE DRILLING HOLES TO ATTACH STEP RISERS



**Imperial  
POOLS**

**ALWAYS SPECIFY  
6", 90° OR 2'R CORNERS  
WHEN ORDERING THE  
POOL AND LINER.**

**Polymer**  
POOL SYSTEM

THIS STAIR / SUNDECK CONFORMS TO  
CURRENT *APSP/ANSI/ICC-5 2011* &  
*ISPS 2024* STANDARDS FOR  
RESIDENTIAL INGROUND SWIMMING  
POOLS

98

# 42VB24FE-20B

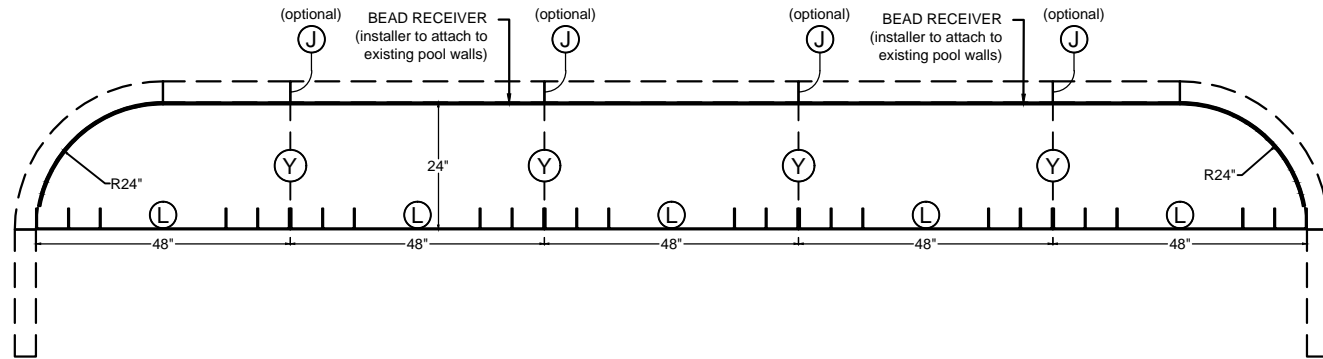
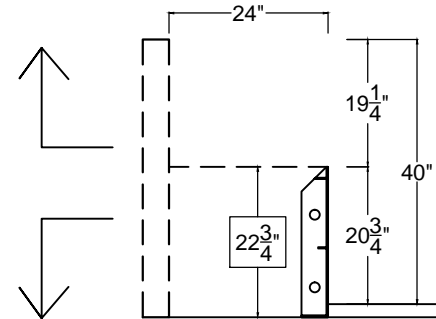
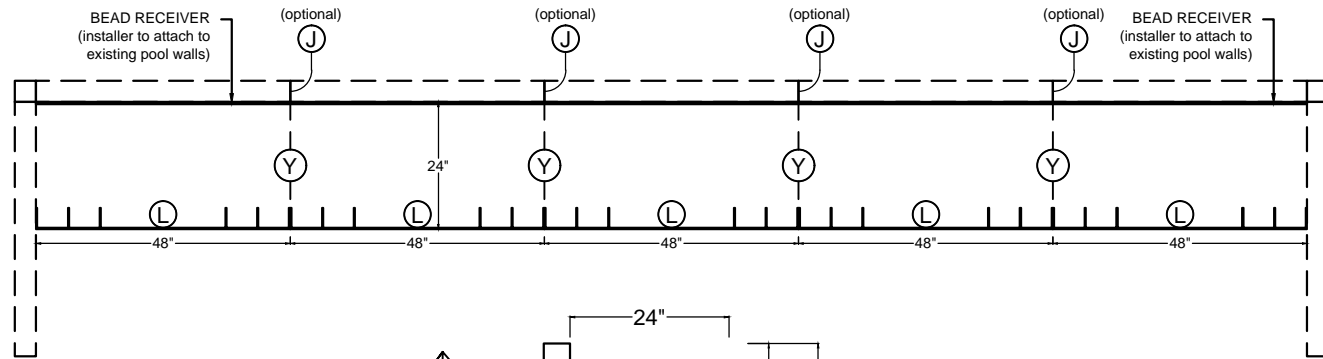
Count	PART#	DESCRIPTION	LETTER
4	NSS227	42" Bench Brace Wall Insert	(J)
5	NSS300	48" Sundeck / Bench Riser	(L)
4	NSS306 (04N296-3)	24" Sundeck / Bench Brace	(Y)

### Included Stair Hardware

1	149271	3/8" x 18" Rebar - Bundle of 20	---
30	149664	3/8" Washer Head Hex Nut	---
30	149670	3/8" x 1 1/4" Washer Head Hex Bolt	---
24	42999	1 5/8" Clip Screw	---
1	TEK75	Tek Screws - Pack of 75	---
4	NSS1112	Large Nexus Brace Clip	---
3	NSS8BR	8' Bead Receiver	---

## 20' x 24" - 6", 90°, or 2'R - Nexus Full End Bench

# 42VB24FE-20B



**NOTES FOR INSTALLER:**  
PERIMETER PANELS WILL REQUIRE DRILLING HOLES TO ATTACH STEP RISERS



# Imperial POOLS

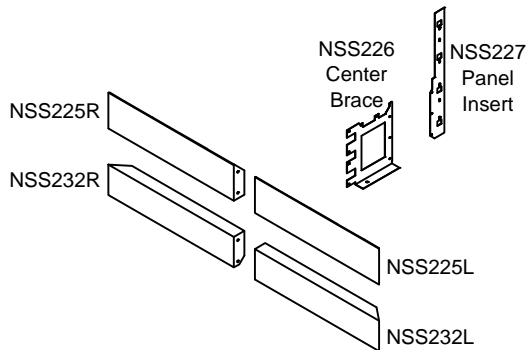
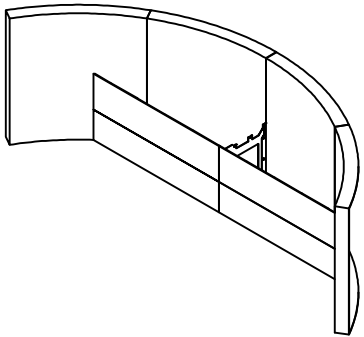
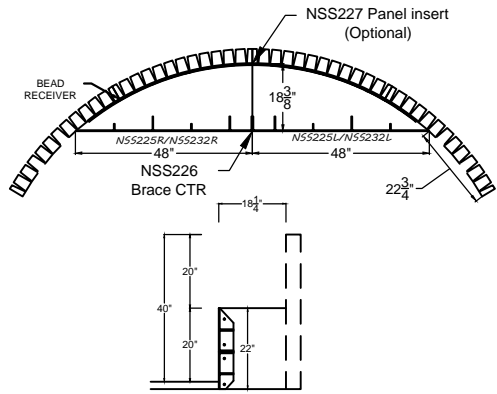
**ALWAYS SPECIFY 6", 90° OR 2'R CORNERS WHEN ORDERING THE POOL AND LINER.**

# Polymer POOL SYSTEM

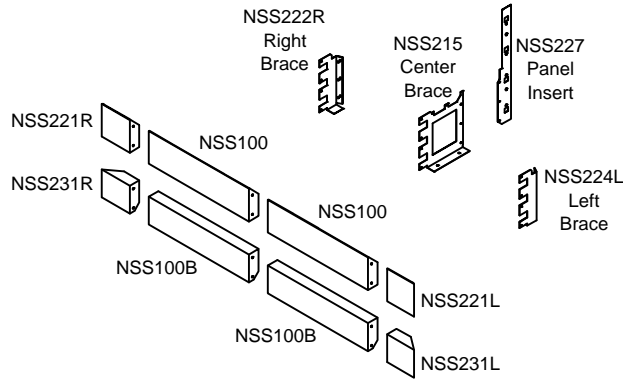
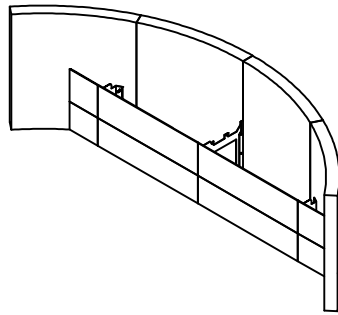
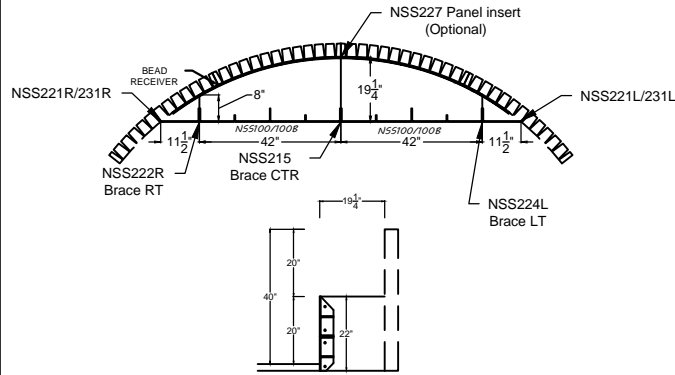
THIS STAIR / SUNDECK CONFORMS TO CURRENT *APSP/ANSI/ICC-5 2011* & *ISPSA 2024* STANDARDS FOR RESIDENTIAL INGROUND SWIMMING POOLS

99

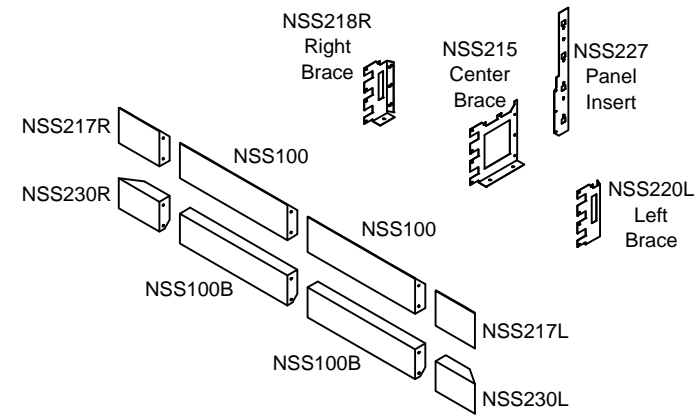
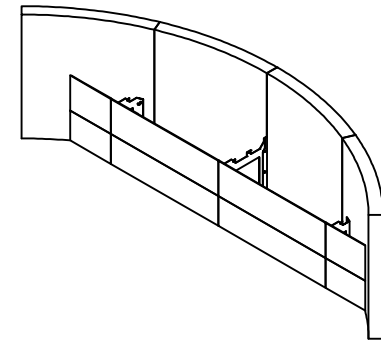
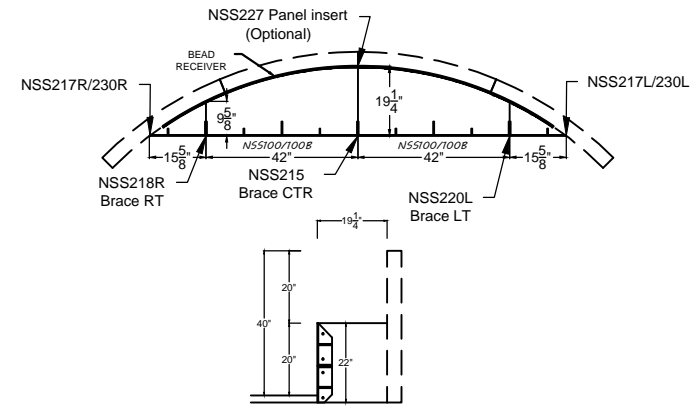
# 6'R Nexus Cove - NSS026



# 7'R Nexus Cove - NSS025



# 8'R Nexus Cove - NSS024



**NOTES FOR INSTALLER:**  
PERIMETER PANELS WILL REQUIRE DRILLING HOLES TO ATTACH STEP RISERS



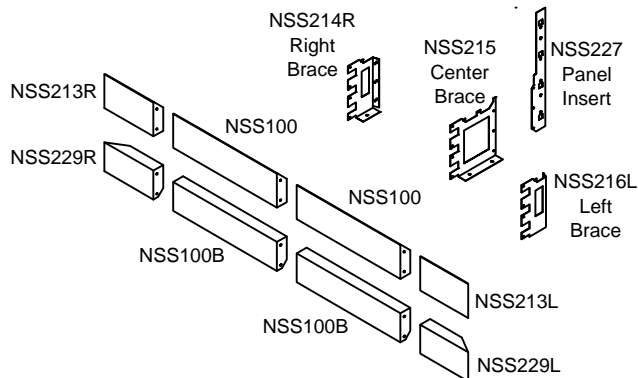
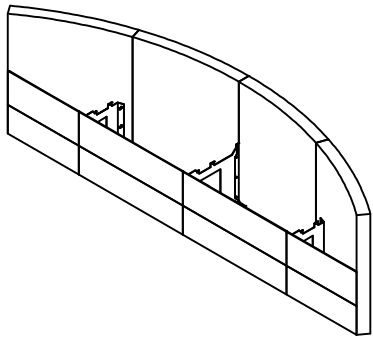
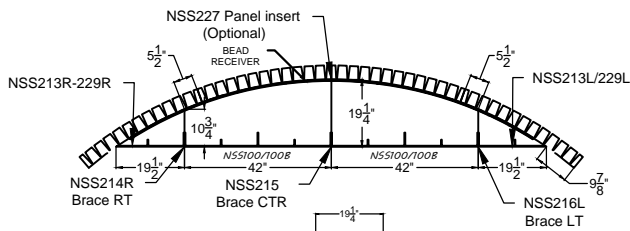
**Polymer**  
POOL SYSTEM

THIS STAIR / SUNDECK CONFORMS TO CURRENT *APSP/ANSI/ICC-5 2011* & *ISPS 2024* STANDARDS FOR RESIDENTIAL INGROUND SWIMMING POOLS

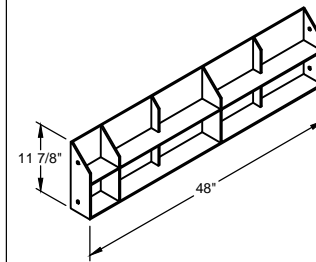
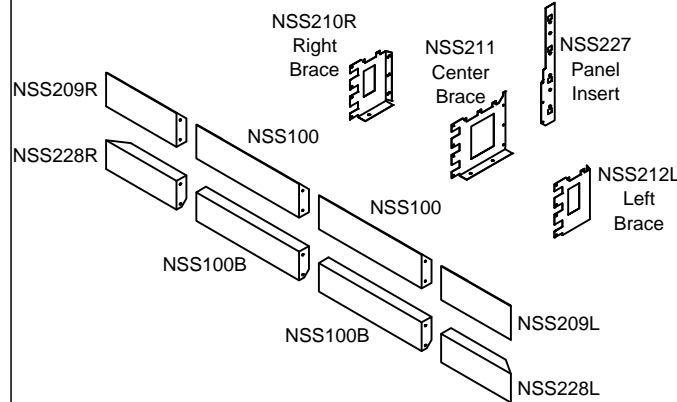
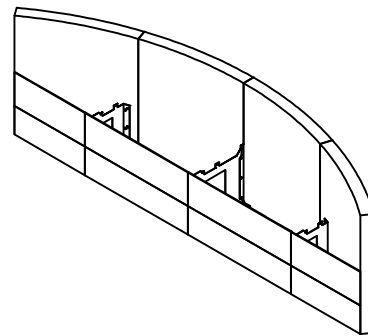
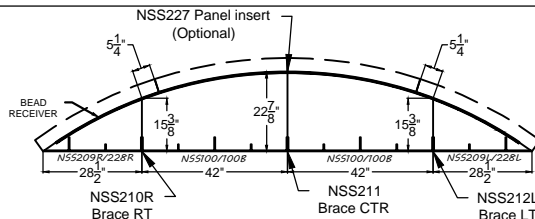
100



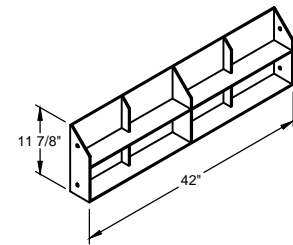
# 9'R Nexus Cove - NSS023



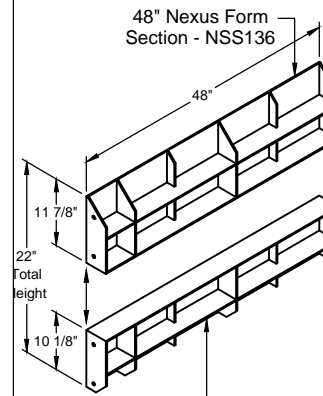
# 10'R Nexus Cove - NSS022



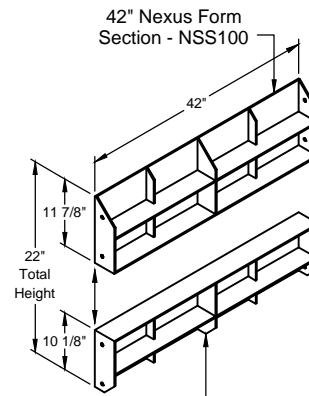
48" Nexus Form Section - NSS136



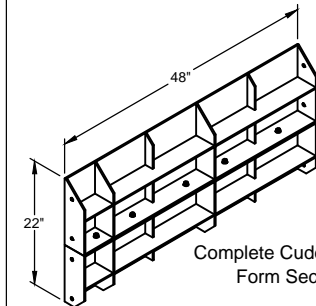
42" Nexus Form Section - NSS100



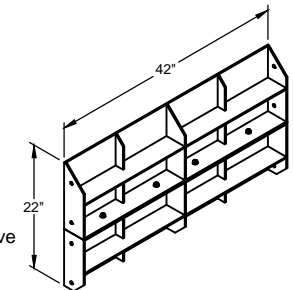
48" Nexus Form Section - NSS136  
48" Nexus Bottom Cuddle Cove Form Section - NSS136B



42" Nexus Form Section - NSS100  
42" Nexus Bottom Cuddle Cove Form Section - NSS100B



Complete Cuddle Cove Form Section



**NOTES FOR INSTALLER:**  
PERIMETER PANELS WILL REQUIRE DRILLING HOLES TO ATTACH STEP RISERS



**Imperial  
POOLS**

**Polymer**  
POOL SYSTEM

THIS STAIR / SUNDECK CONFORMS TO  
CURRENT *APSP/ANSI/ICC-5 2011* &  
*ISPC 2024* STANDARDS FOR  
RESIDENTIAL INGROUND SWIMMING  
POOLS

101

# ***Polymer***

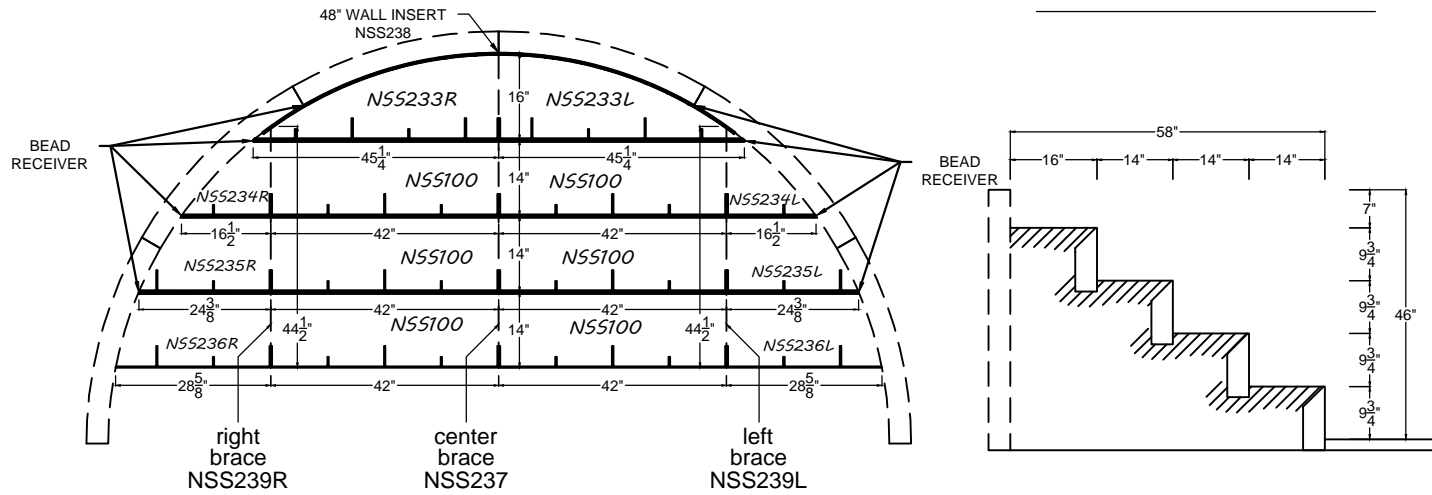
## ***48" WALLS POOL SYSTEM***



Imperial  
POOLS

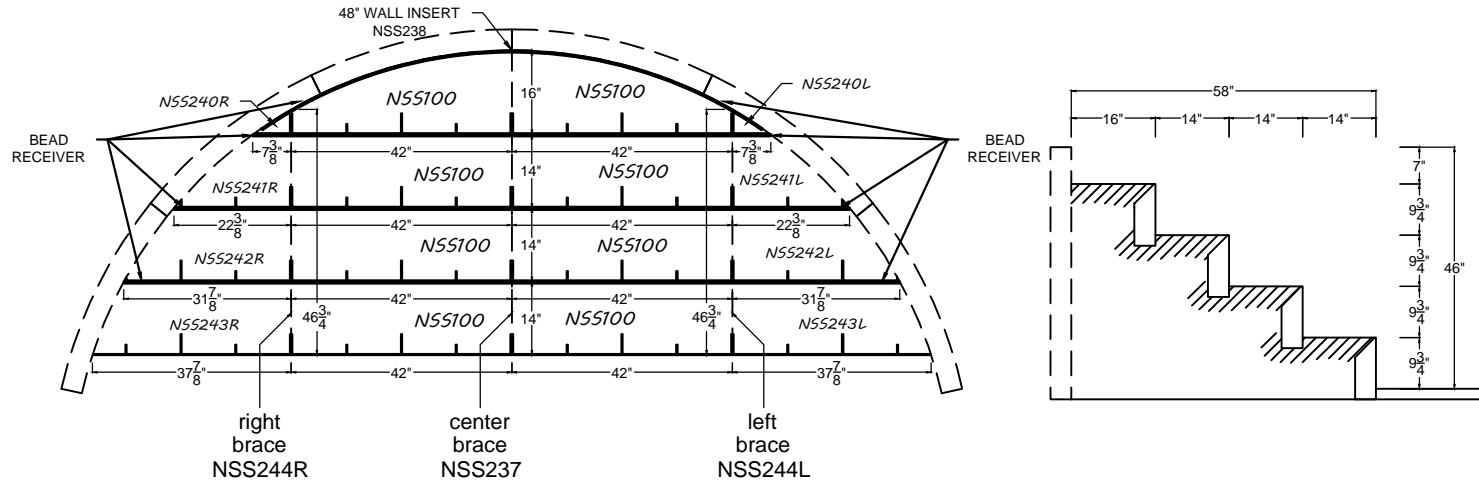
# NSS00148

## 6'R x 12'W - INSIDE STAIR - 48" WALL



# NSS00248

## 7'R x 13'W - INSIDE STAIR - 48" WALL



**NOTES FOR INSTALLER:**  
PERIMETER PANELS WILL  
REQUIRE DRILLING HOLES  
TO ATTACH STEP RISERS



**Imperial  
POOLS**

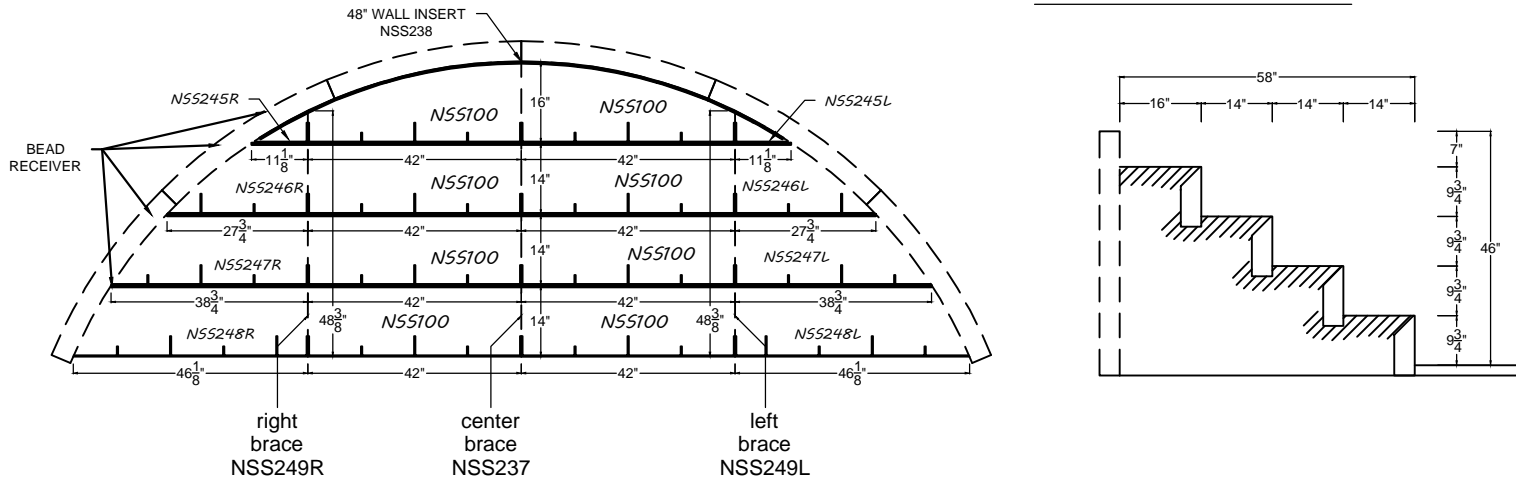
**Polymer**  
**48" WALLS POOL SYSTEM**

THIS STAIR / SUNDECK CONFORMS TO  
CURRENT *APSP/ANSI/ICC-5 2011* &  
*ISPS 2024* STANDARDS FOR  
RESIDENTIAL INGROUND SWIMMING  
POOLS

102

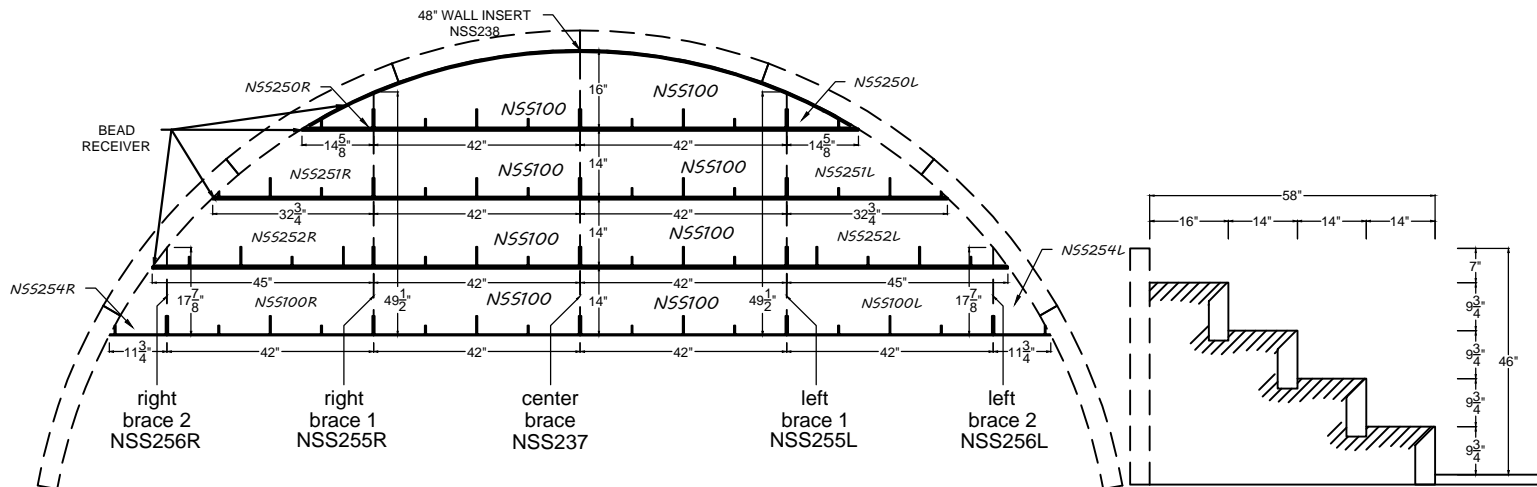
# NSS00348

## 8'R x 14'W - INSIDE STAIR - 48" WALL



# NSS00448

## 9'R x 15'W - INSIDE STAIR - 48" WALL



**NOTES FOR INSTALLER:**  
PERIMETER PANELS WILL REQUIRE DRILLING HOLES TO ATTACH STEP RISERS



**Imperial  
POOLS**

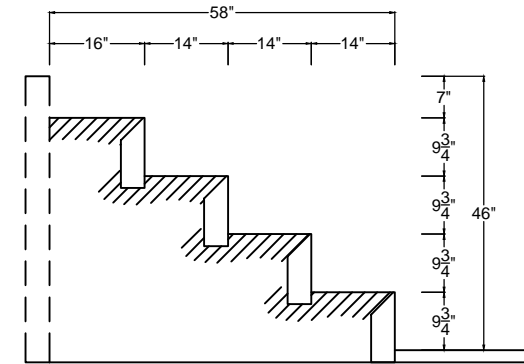
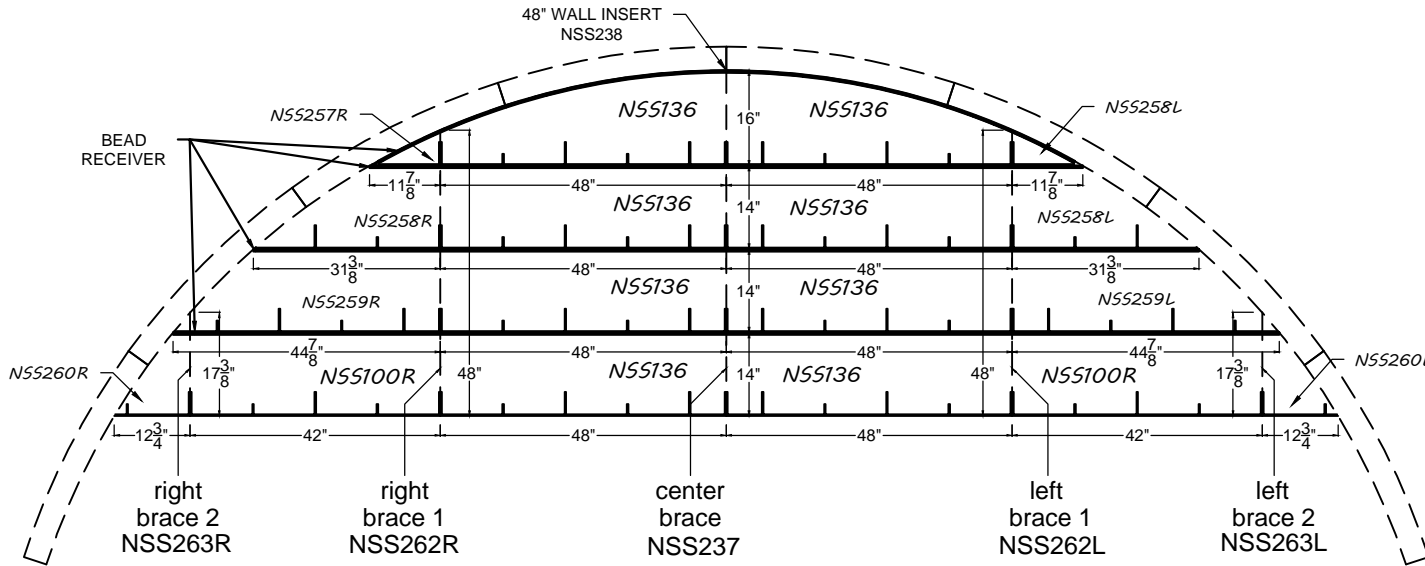
**Polymer**  
**48" WALLS POOL SYSTEM**

THIS STAIR / SUNDECK CONFORMS TO  
CURRENT *APSP/ANSI/ICC-5 2011* &  
*ISPS 2024* STANDARDS FOR  
RESIDENTIAL INGROUND SWIMMING  
POOLS

103

# NSS00548

## 10'R x 16'W INSIDE STAIR - 48" WALL



**NOTES FOR INSTALLER:**  
PERIMETER PANELS WILL REQUIRE DRILLING HOLES TO ATTACH STEP RISERS



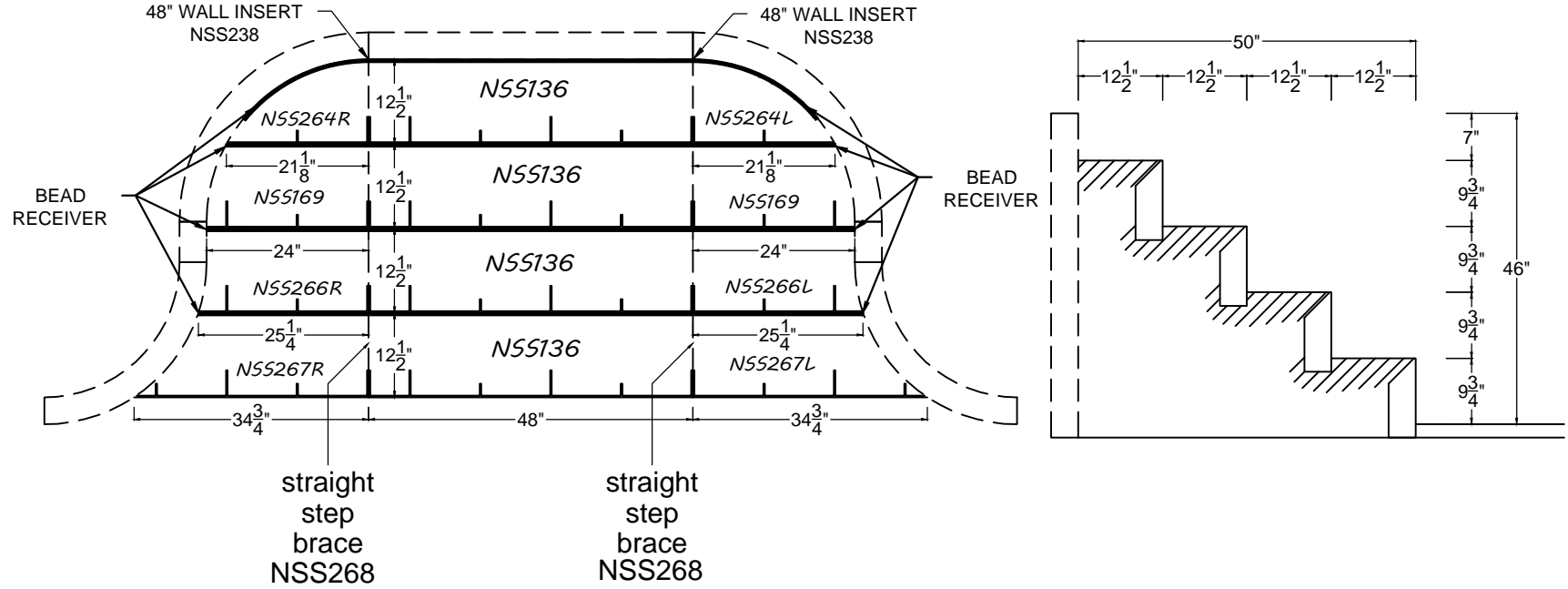
**Polymer**  
48" WALLS POOL SYSTEM

THIS STAIR / SUNDECK CONFORMS TO CURRENT *APSP/ANSI/ICC-5 2011* & *ISPSC 2024* STANDARDS FOR RESIDENTIAL INGROUND SWIMMING POOLS

104

# NSS00748

## 8' x 2'R STRAIGHT 2'R x 2'RR - 48" WALL



**NOTES FOR INSTALLER:**  
PERIMETER PANELS WILL  
REQUIRE DRILLING HOLES  
TO ATTACH STEP RISERS



**Imperial  
POOLS**

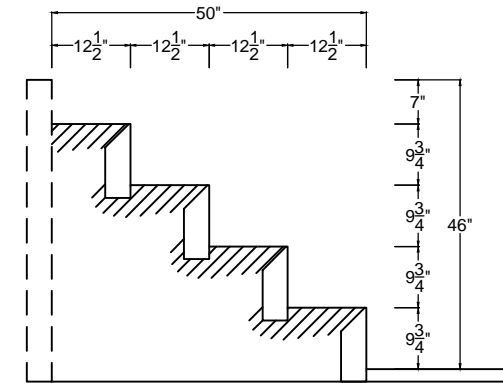
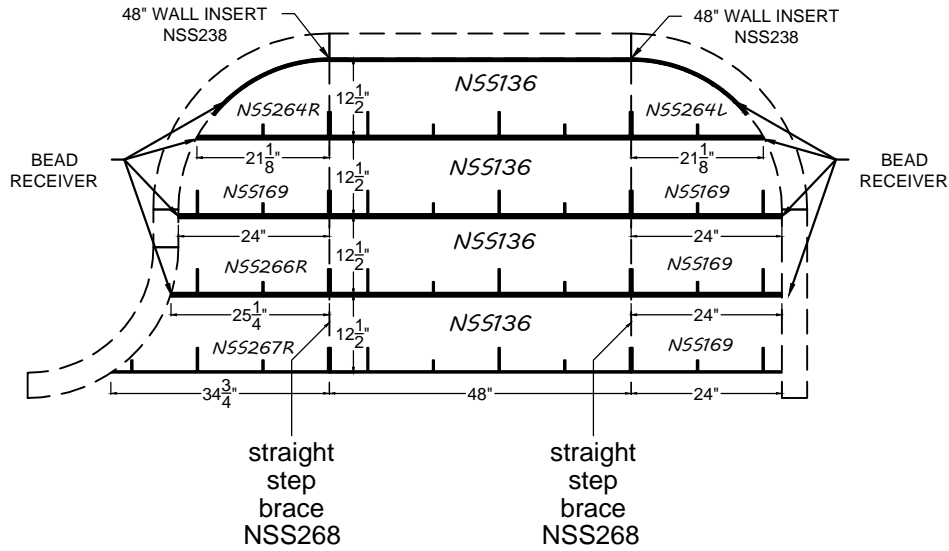
**Polymer**  
**48" WALLS POOL SYSTEM**

THIS STAIR / SUNDECK CONFORMS TO  
CURRENT *APSP/ANSI/ICC-5 2011* &  
*ISPS 2024* STANDARDS FOR  
RESIDENTIAL INGROUND SWIMMING  
POOLS

105

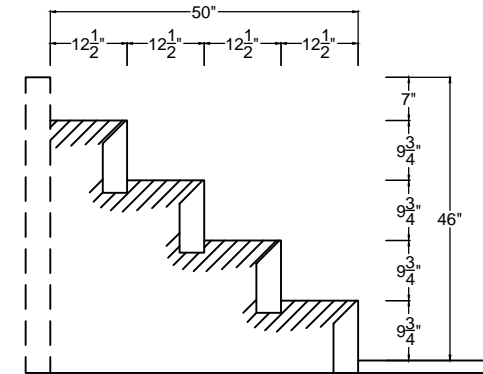
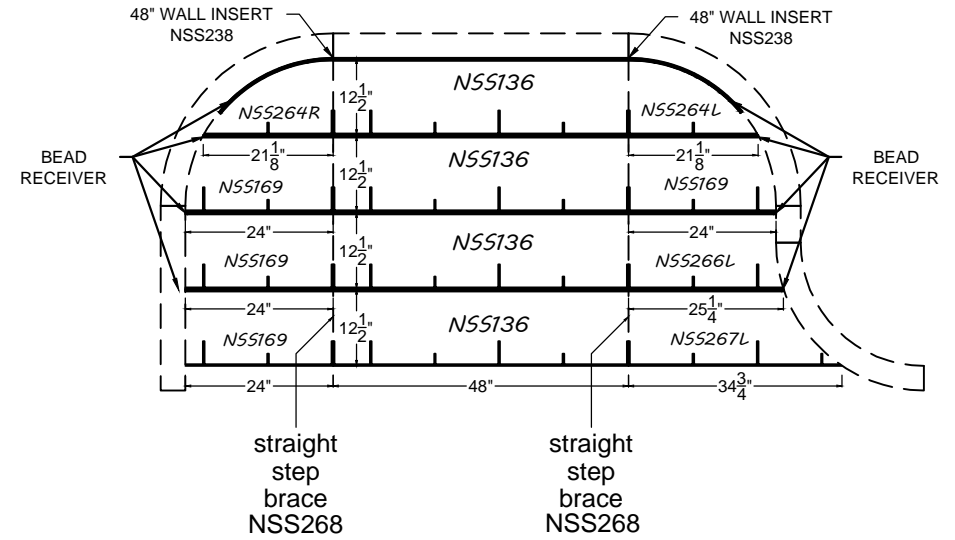
# NSS00848

## 8' x 2'R x 2'RR RT - SIDE STAIR - 48" WALL



# NSS01048

## 8' x 2'R x LT 2'RR - SIDE STAIR - 48" WALL



**NOTES FOR INSTALLER:**  
PERIMETER PANELS WILL  
REQUIRE DRILLING HOLES  
TO ATTACH STEP RISERS



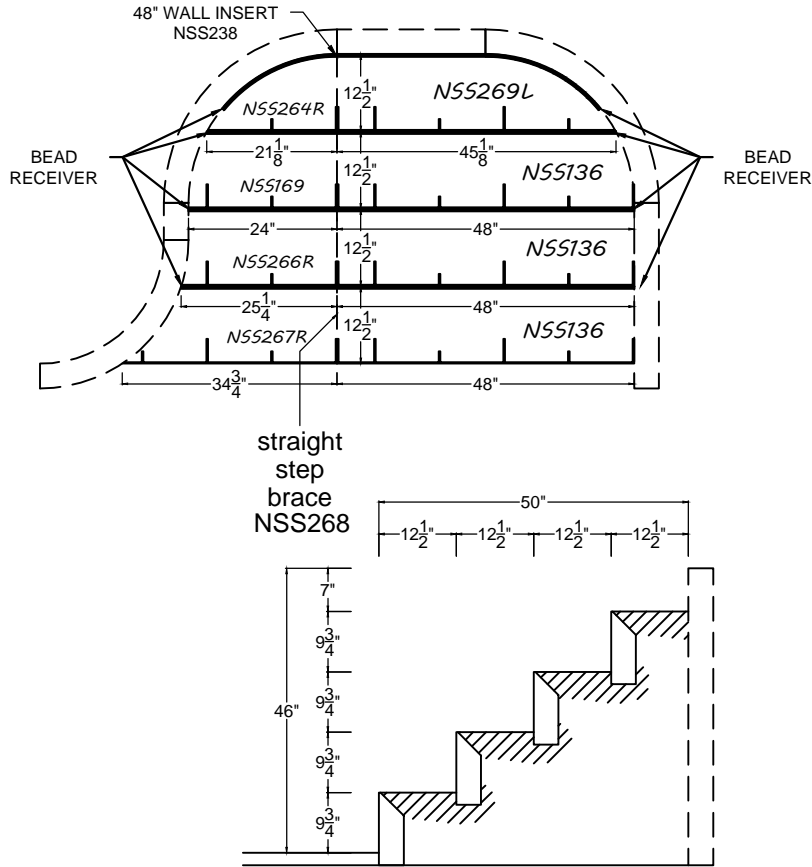
**Polymer**  
48" WALLS POOL SYSTEM

THIS STAIR / SUNDECK CONFORMS TO  
CURRENT *APSP/ANSI/ICC-5 2011* &  
*ISPS 2024* STANDARDS FOR  
RESIDENTIAL INGROUND SWIMMING  
POOLS

106

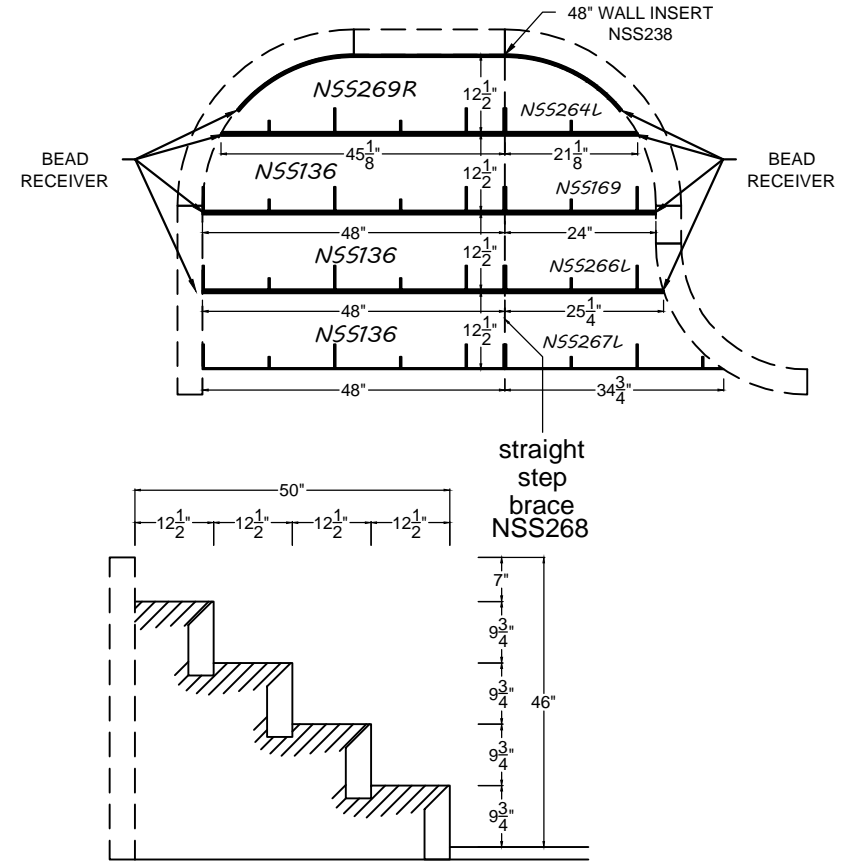
# NSS00948

## 6' x 2'R x RT 2'RR - SIDE STAIR - 48" WALL



# NSS01148

## 6' x 2'R x LT 2'RR - SIDE STAIR - 48" WALL



**NOTES FOR INSTALLER:**  
PERIMETER PANELS WILL REQUIRE DRILLING HOLES TO ATTACH STEP RISERS



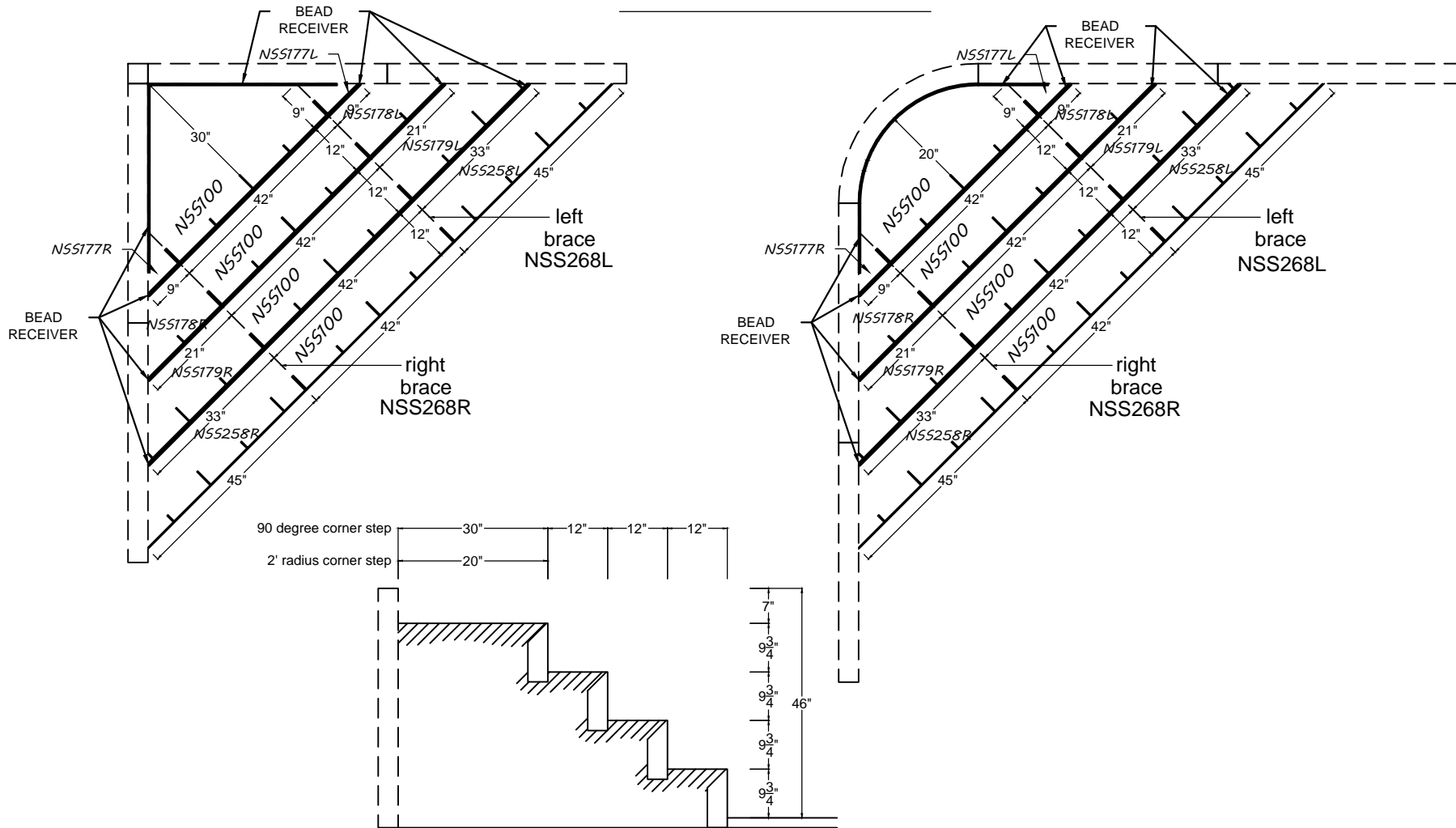
**Polymer**  
48" WALLS POOL SYSTEM

THIS STAIR / SUNDECK CONFORMS TO CURRENT *APSP/ANSI/ICC-5 2011* & *ISPS 2024* STANDARDS FOR RESIDENTIAL INGROUND SWIMMING POOLS



# NSS01848

## INSIDE CORNER STAIR 2'R or 90° CORNER 48" WALL



**NOTES FOR INSTALLER:**  
PERIMETER PANELS WILL  
REQUIRE DRILLING HOLES  
TO ATTACH STEP RISERS



**Imperial  
POOLS**

**ALWAYS SPECIFY  
6", 90°, OR 2'R CORNERS  
WHEN ORDERING THE  
POOL AND LINER.**

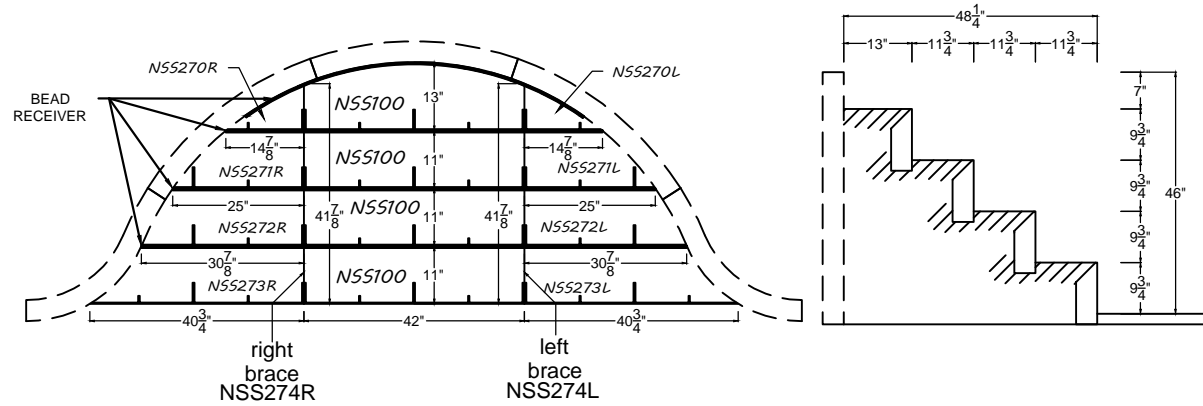
**Polymer**  
**48" WALLS POOL SYSTEM**

THIS STAIR / SUNDECK CONFORMS TO  
CURRENT *APSP/ANSI/ICC-5 2011* &  
*ISPS 2024* STANDARDS FOR  
RESIDENTIAL INGROUND SWIMMING  
POOLS

108

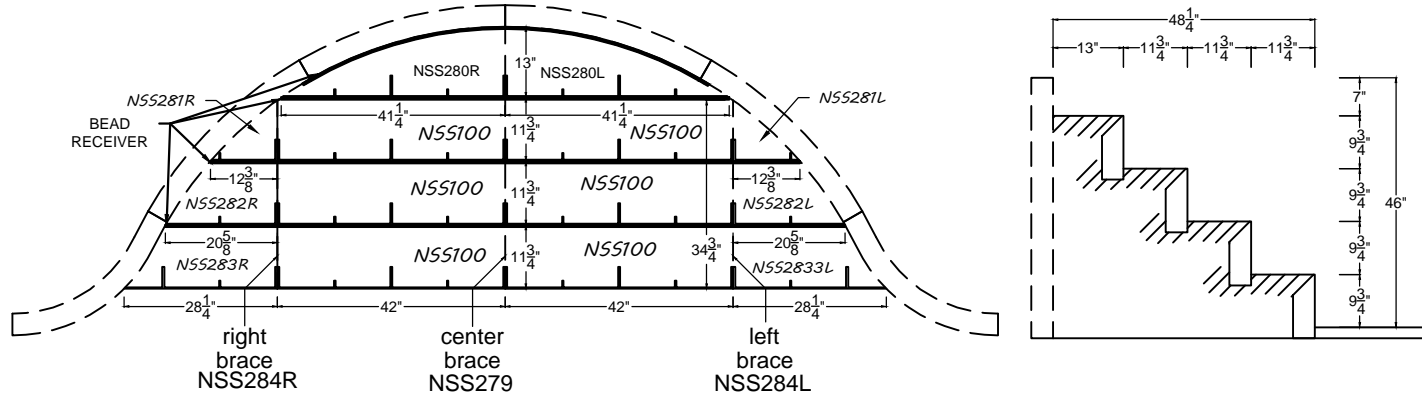
# NSS01948

4'8"R x 9'8 $\frac{1}{2}$ "W - ROMAN STAIR  
 16'W POOL - 48" WALL



# NSS02148

6'R x 11'8 $\frac{1}{2}$ "W - ROMAN STAIR  
 20'W POOL - 48" WALL



**NOTES FOR INSTALLER:**  
 PERIMETER PANELS WILL  
 REQUIRE DRILLING HOLES  
 TO ATTACH STEP RISERS



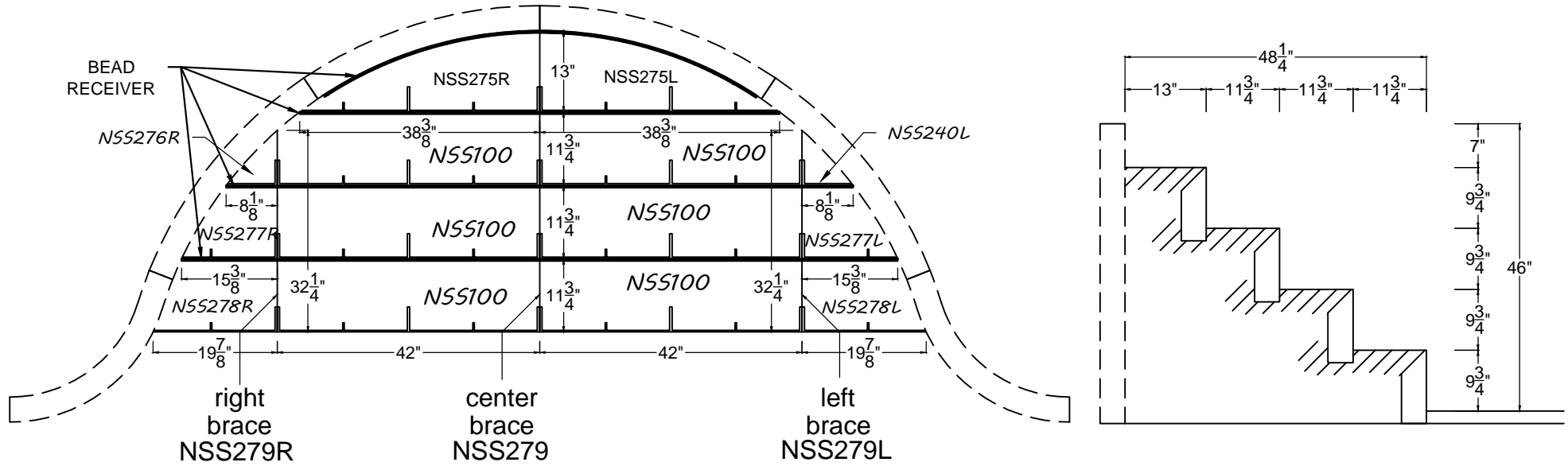
**Polymer**  
 48" WALLS POOL SYSTEM

THIS STAIR / SUNDECK CONFORMS TO  
 CURRENT *APSP/ANSI/ICC-5 2011* &  
*ISPS 2024* STANDARDS FOR  
 RESIDENTIAL INGROUND SWIMMING  
 POOLS

109

# NSS02048

## 5'3 $\frac{1}{4}$ "R x 12'W - ROMAN STAIR 18'W POOL - 48" WALL



**NOTES FOR INSTALLER:**  
PERIMETER PANELS WILL  
REQUIRE DRILLING HOLES  
TO ATTACH STEP RISERS



**Imperial  
POOLS**

**Polymer**  
**48" WALLS POOL SYSTEM**

THIS STAIR / SUNDECK CONFORMS TO  
CURRENT *APSP/ANSI/ICC-5 2011* &  
*ISPS 2024* STANDARDS FOR  
RESIDENTIAL INGROUND SWIMMING  
POOLS

110

# 48VS0890

Count	PART#	DESCRIPTION	LETTER
8	NSS136	48" Step Riser	(A)
1	NSS10748	48" Stair Brace Wall Insert	(H)
2	NSS308	36" Sundeck / Stair Brace Extension	(T)
1	NSS30448	2 Piece Straight Stair Brace - Top Step	(W)
1	NSS30548	2 Piece Straight Stair Brace - Bottom Step	(X)

**PART NSS30848 (T) is only used when a sundeck is being created**

### Included Stair Hardware

1	149271	3/8" x 18" Rebar - Bundle of 20	---
40	149664	3/8" Washer Head Hex Nut	---
40	149670	3/8" x 1 1/4" Washer Head Hex Bolt	---
40	42999	1 5/8" Clip Screw	---
1	TEK75	Tek Screws - Pack of 75	---
6	NSS1112	Large Nexus Brace Clip	---
7	NSS8BR	8' Bead Receiver	---

**NOTE:** This Modular Step Unit comes with Bead Receiver (NSS8BR) to accommodate sundecks up to 8' in width.

FOR VINYL WORKS USE -  
48VS0890 - \_\_\_\_\_"

- Steel braces will be attached BETWEEN sections on step treads. End flanges on adjoining step risers will create a pocket to insert the steel brace.
- Steel braces NSS304 & NSS305 bolted together will create the standard NSS147 brace for full end step units.
- Installer must specify the measurement of the sundeck area to ensure proper liner fit.
- This Modular Step Unit can be made with 6" Radius Corners by installing the optional 6"R foam corner insert (GLAUC4442NT). One required per feature that must be cut to size. **ALWAYS SPECIFY CORNERS WHEN ORDERING THE POOL AND LINER.**

**NOTES FOR INSTALLER:**  
PERIMETER PANELS WILL REQUIRE DRILLING HOLES TO ATTACH STEP RISERS



# Imperial POOLS

**ALWAYS SPECIFY 6" OR 90° CORNERS WHEN ORDERING THE POOL AND LINER.**

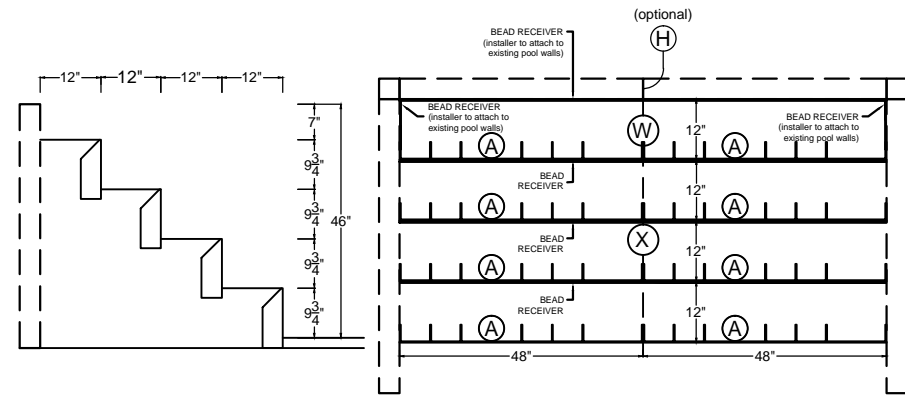
# Polymer

**48" WALLS POOL SYSTEM**

THIS STAIR / SUNDECK CONFORMS TO CURRENT **APSP/ANSI/ICC-5 2011** & **ISPS 2024** STANDARDS FOR RESIDENTIAL INGROUND SWIMMING POOLS

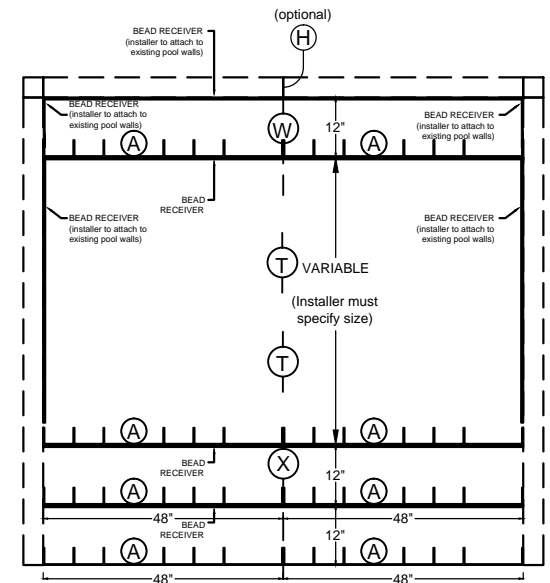
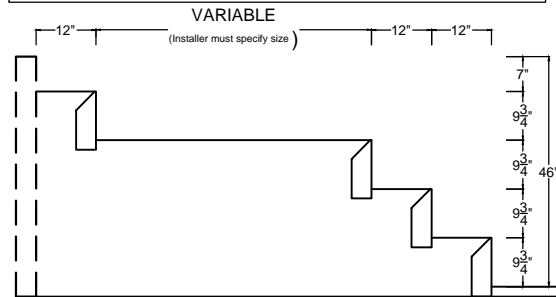
111

## 8' x 90° Nexus Full End Stair - 48" Walls - 48VS0890



## 8' x 90° Nexus Full End Stair w/ Variable Sundeck - 48" Walls - 48VS0890

PLEASE PROVIDE SUNDECK  
SIZE FOR LINER PRODUCTION



# 48VS1090

Count	PART#	DESCRIPTION	LETTER
8	NSS136	48" Step Riser	(A)
4	NSS169	24" Step Riser	(C)
2	NSS10748	48" Stair Brace Wall Insert	(H)
4	NSS308	36" Sundeck / Stair Brace Extension	(T)
2	NSS30448	2 Piece Straight Stair Brace - Top Step	(W)
2	NSS30548	2 Piece Straight Stair Brace - Bottom Step	(X)

**PART NSS30848 (T) is only used when a sundeck is being created**

### Included Stair Hardware

1	149271	3/8" x 18" Rebar - Bundle of 20	---
40	149664	3/8" Washer Head Hex Nut	---
40	149670	3/8" x 1 1/4" Washer Head Hex Bolt	---
40	42999	1 5/8" Clip Screw	---
1	TEK75	Tek Screws - Pack of 75	---
6	NSS1112	Large Nexus Brace Clip	---
8	NSS8BR	8' Bead Receiver	---

**NOTE:** This Modular Step Unit comes with Bead Receiver (NSS8BR) to accommodate sundecks up to 8' in width.

FOR VINYL WORKS USE - 48VS1090 - \_\_\_\_\_"

- Steel braces will be attached BETWEEN sections on step treads. End flanges on adjoining step risers will create a pocket to insert the steel brace.
- Steel braces NSS304 & NSS305 bolted together will create the standard NSS147 brace for full end step units.
- Installer must specify the measurement of the sundeck area to ensure proper liner fit.
- This Modular Step Unit can be made with 6" Radius Corners by installing the optional 6"R foam corner insert (GLAUC4442NT). One required per feature that must be cut to size. **ALWAYS SPECIFY CORNERS WHEN ORDERING THE POOL AND LINER.**

**NOTES FOR INSTALLER:** PERIMETER PANELS WILL REQUIRE DRILLING HOLES TO ATTACH STEP RISERS



# Imperial POOLS

**ALWAYS SPECIFY 6" OR 90° CORNERS WHEN ORDERING THE POOL AND LINER.**

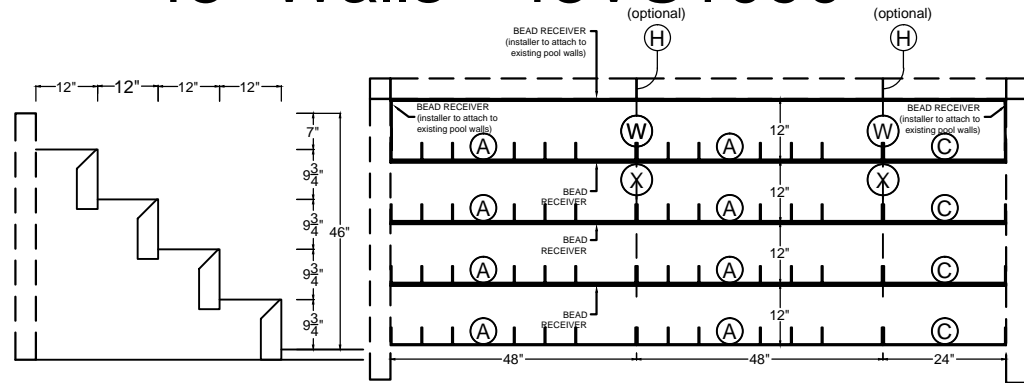
# Polymer

**48" WALLS POOL SYSTEM**

THIS STAIR / SUNDECK CONFORMS TO CURRENT *APSP/ANSI/ICC-5 2011* & *ISPS 2024* STANDARDS FOR RESIDENTIAL INGROUND SWIMMING POOLS

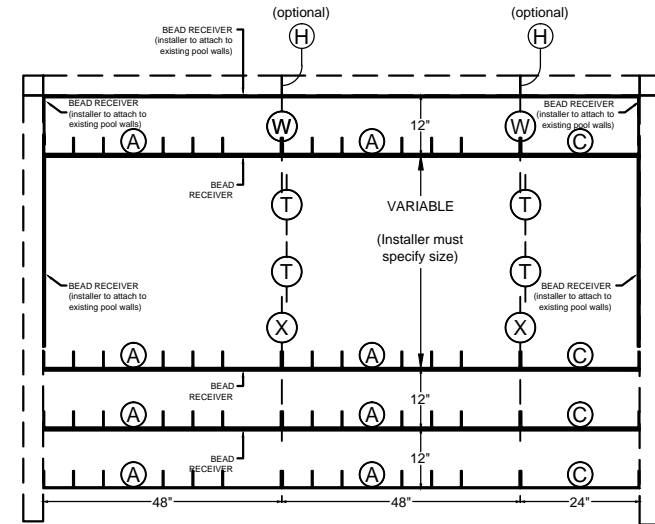
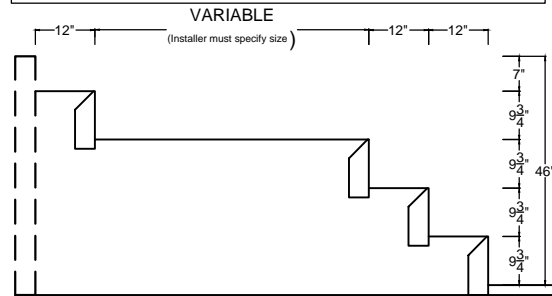
112

# 10' x 90° Nexus Full End Stair 48" Walls - 48VS1090



# 10' x 90° Nexus Full End Stair w/ Variable Sundeck 48" Walls - 48VS1090

PLEASE PROVIDE SUNDECK SIZE FOR LINER PRODUCTION



# 48VS1290

Count	PART#	DESCRIPTION	LETTER
12	NSS136	48" Step Riser	(A)
2	NSS10748	48" Stair Brace Wall Insert	(H)
4	NSS308	36" Sundeck / Stair Brace Extension	(T)
2	NSS30448	2 Piece Straight Stair Brace - Top Step	(W)
2	NSS30548	2 Piece Straight Stair Brace - Bottom Step	(X)

**PART NSS30848 (T) is only used when a sundeck is being created**

### Included Stair Hardware

1	149271	3/8" x 18" Rebar - Bundle of 20	---
50	149664	3/8" Washer Head Hex Nut	---
50	149670	3/8" x 1 1/4" Washer Head Hex Bolt	---
40	42999	1 5/8" Clip Screw	---
1	TEK75	Tek Screws - Pack of 75	---
6	NSS1112	Large Nexus Brace Clip	---
9	NSS8BR	8' Bead Receiver	---

**NOTE:** This Modular Step Unit comes with Bead Receiver (NSS8BR) to accommodate sundecks up to 8' in width.

FOR VINYL WORKS USE - 48VS1290 - \_\_\_\_\_"

- 1) Steel braces will be attached BETWEEN sections on step treads. End flanges on adjoining step risers will create a pocket to insert the steel brace.
- 2) Steel braces NSS304 & NSS305 bolted together will create the standard NSS147 brace for full end step units.
- 3) Installer must specify the measurement of the sundeck area to ensure proper liner fit.
- 4) This Modular Step Unit can be made with 6" Radius Corners by installing the optional 6"R foam corner insert (GLAUC4442NT). One required per feature that must be cut to size. **ALWAYS SPECIFY CORNERS WHEN ORDERING THE POOL AND LINER.**

**NOTES FOR INSTALLER:** PERIMETER PANELS WILL REQUIRE DRILLING HOLES TO ATTACH STEP RISERS



# Imperial POOLS

**ALWAYS SPECIFY 6" OR 90° CORNERS WHEN ORDERING THE POOL AND LINER.**

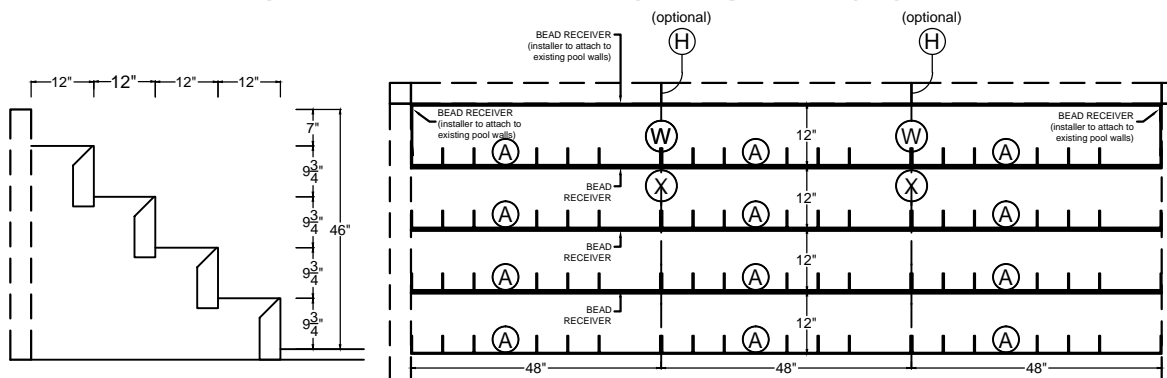
# Polymer

**48" WALLS POOL SYSTEM**

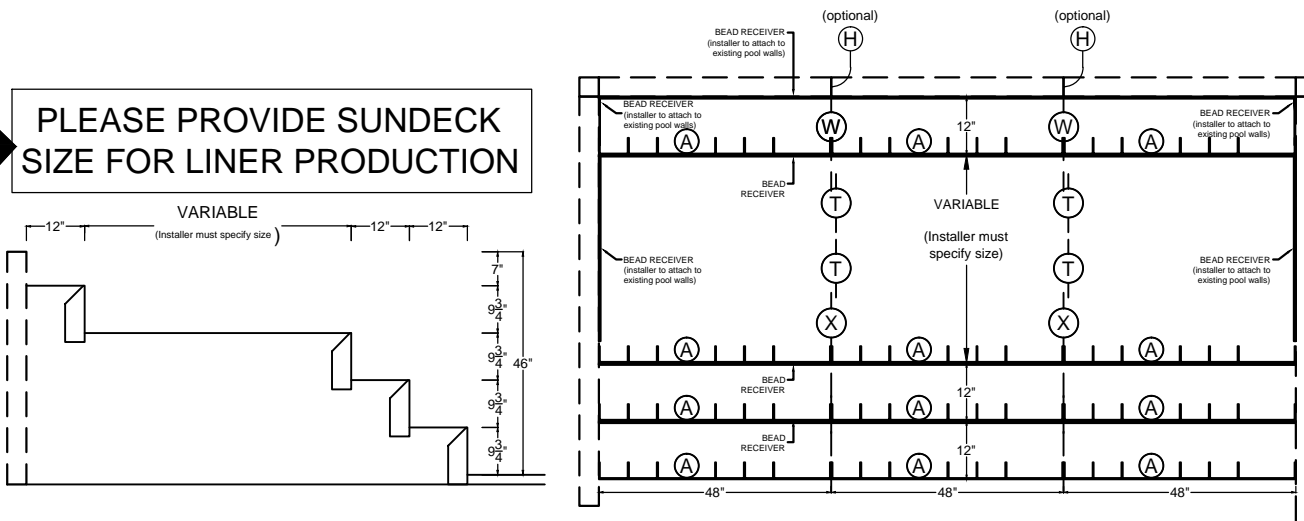
THIS STAIR / SUNDECK CONFORMS TO CURRENT **APSP/ANSI/ICC-5 2011** & **ISPS 2024** STANDARDS FOR RESIDENTIAL INGROUND SWIMMING POOLS

113

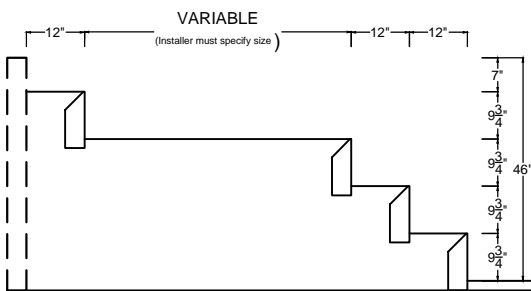
## 12' x 90° Nexus Full End Stair 48" Walls - 48VS1290



## 12' x 90° Nexus Full End Stair w/ Variable Sundeck 48" Walls - 48VS1290



PLEASE PROVIDE SUNDECK SIZE FOR LINER PRODUCTION



# 48VS1490

Count	PART#	DESCRIPTION	LETTER
16	NSS100	42" Step Riser	(B)
3	NSS10748	48" Stair Brace Wall Insert	(H)
6	NSS308	36" Sundeck / Stair Brace Extension	(T)
3	NSS30448	2 Piece Straight Stair Brace - Top Step	(W)
3	NSS30548	2 Piece Straight Stair Brace - Bottom Step	(X)

**PART NSS30848 (T) is only used when a sundeck is being created**

### Included Stair Hardware

1	149271	3/8" x 18" Rebar - Bundle of 20	---
70	149664	3/8" Washer Head Hex Nut	---
70	149670	3/8" x 1 1/4" Washer Head Hex Bolt	---
40	42999	1 5/8" Clip Screw	---
1	TEK75	Tek Screws - Pack of 75	---
6	NSS1112	Large Nexus Brace Clip	---
10	NSS8BR	8' Bead Receiver	---

**NOTE:** This Modular Step Unit comes with Bead Receiver (NSS8BR) to accommodate sundecks up to 8' in width.

FOR VINYL WORKS USE -  
48VS1490 - \_\_\_\_\_"

- 1) Steel braces will be attached BETWEEN sections on step treads. End flanges on adjoining step risers will create a pocket to insert the steel brace.
- 2) Steel braces NSS304 & NSS305 bolted together will create the standard NSS147 brace for full end step units.
- 3) Installer must specify the measurement of the sundeck area to ensure proper liner fit.
- 4) This Modular Step Unit can be made with 6" Radius Corners by installing the optional 6"R foam corner insert (GLAUC4442NT). One required per feature that must be cut to size. **ALWAYS SPECIFY CORNERS WHEN ORDERING THE POOL AND LINER.**

**NOTES FOR INSTALLER:**  
PERIMETER PANELS WILL REQUIRE DRILLING HOLES TO ATTACH STEP RISERS



# Imperial POOLS

**ALWAYS SPECIFY 6" OR 90° CORNERS WHEN ORDERING THE POOL AND LINER.**

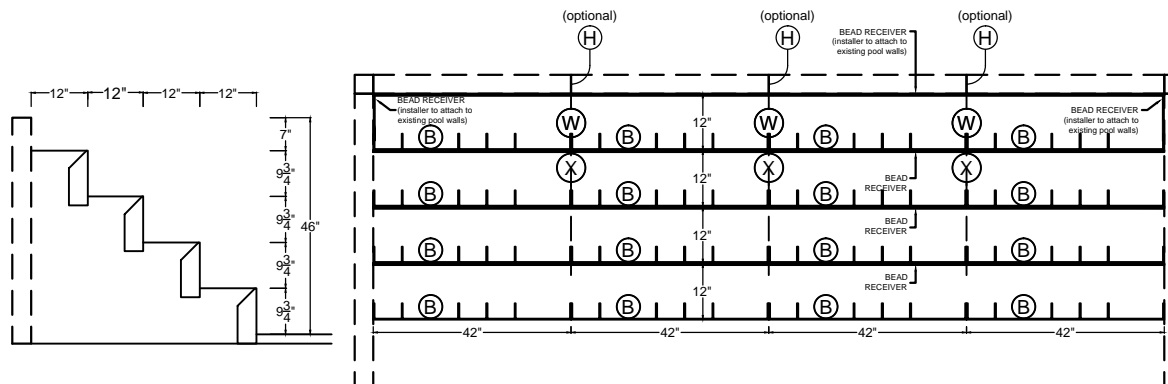
# Polymer

**48" WALLS POOL SYSTEM**

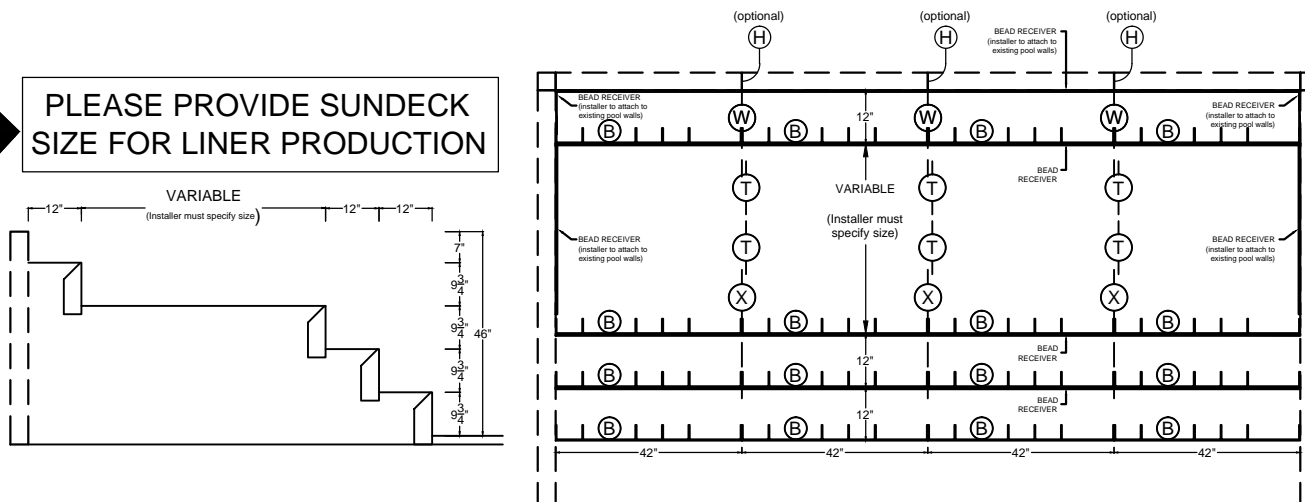
THIS STAIR / SUNDECK CONFORMS TO CURRENT **APSP/ANSI/ICC-5 2011** & **ISPS 2024** STANDARDS FOR RESIDENTIAL INGROUND SWIMMING POOLS

114

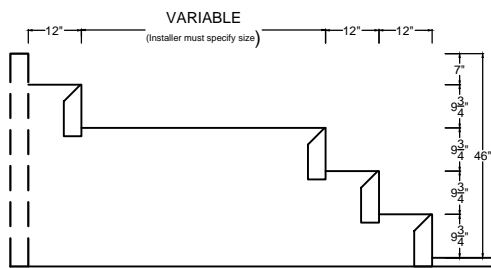
## 14' x 90° Nexus Full End Stair 48" Walls - 48VS1490



## 14' x 90° Nexus Full End Stair w/ Variable Sundeck 48" Walls - 48VS1490



PLEASE PROVIDE SUNDECK SIZE FOR LINER PRODUCTION



# 48VS1690

Count	PART#	DESCRIPTION	LETTER
16	NSS136	48" Step Riser	(A)
3	NSS10748	48" Stair Brace Wall Insert	(H)
6	NSS30848	36" Sundeck / Stair Brace Extension	(T)
3	NSS30448	2 Piece Straight Stair Brace - Top Step	(W)
3	NSS30548	2 Piece Straight Stair Brace - Bottom Step	(X)

**PART NSS30848 (T) is only used when a sundeck is being created**

### Included Stair Hardware

1	149271	3/8" x 18" Rebar - Bundle of 20	---
70	149664	3/8" Washer Head Hex Nut	---
70	149670	3/8" x 1 1/4" Washer Head Hex Bolt	---
40	42999	1 5/8" Clip Screw	---
1	TEK75	Tek Screws - Pack of 75	---
6	NSS1112	Large Nexus Brace Clip	---
11	NSS8BR	8' Bead Receiver	---

**NOTE:** This Modular Step Unit comes with Bead Receiver (NSS8BR) to accommodate sundecks up to 8' in width.

FOR VINYL WORKS USE -  
48VS1690 - \_\_\_\_\_"

- 1) Steel braces will be attached BETWEEN sections on step treads. End flanges on adjoining step risers will create a pocket to insert the steel brace.
- 2) Steel braces NSS304 & NSS305 bolted together will create the standard NSS147 brace for full end step units.
- 3) Installer must specify the measurement of the sundeck area to ensure proper liner fit.
- 4) This Modular Step Unit can be made with 6" Radius Corners by installing the optional 6"R foam corner insert (GLAUC4442NT). One required per feature that must be cut to size. **ALWAYS SPECIFY CORNERS WHEN ORDERING THE POOL AND LINER.**

**NOTES FOR INSTALLER:**  
PERIMETER PANELS WILL REQUIRE DRILLING HOLES TO ATTACH STEP RISERS



# Imperial POOLS

**ALWAYS SPECIFY  
6" OR 90° CORNERS  
WHEN ORDERING THE  
POOL AND LINER.**

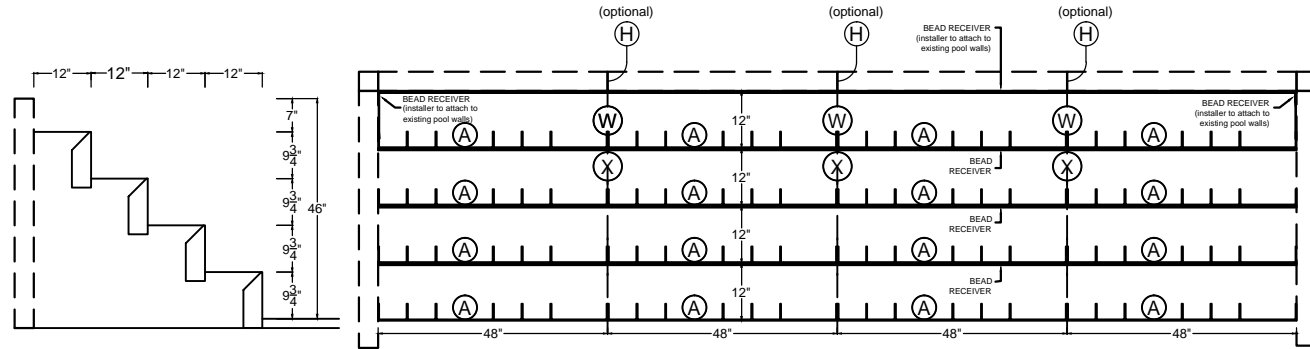
# Polymer

**48" WALLS POOL SYSTEM**

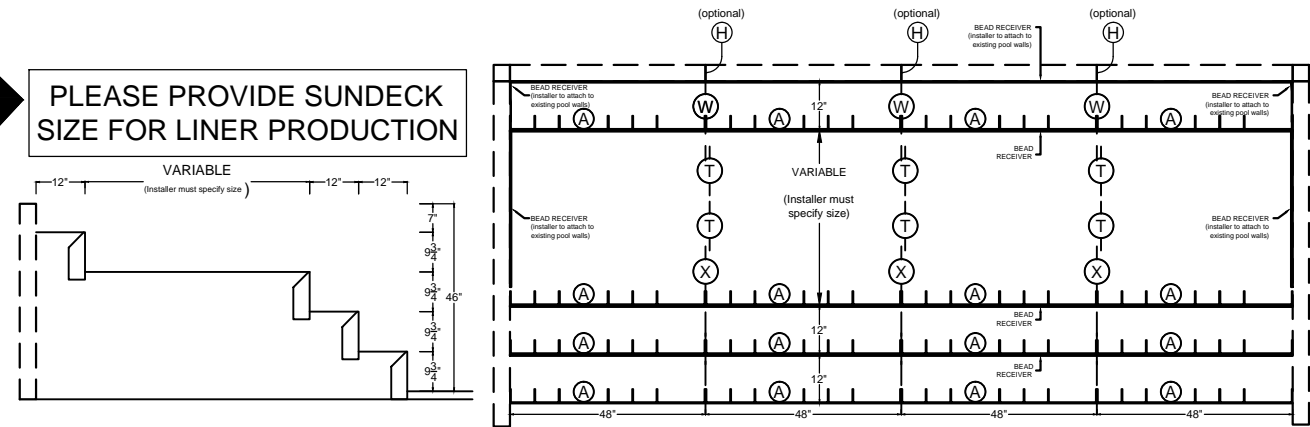
THIS STAIR / SUNDECK CONFORMS TO  
CURRENT **APSP/ANSI/ICC-5 2011** &  
**ISPS 2024** STANDARDS FOR  
RESIDENTIAL INGROUND SWIMMING  
POOLS

115

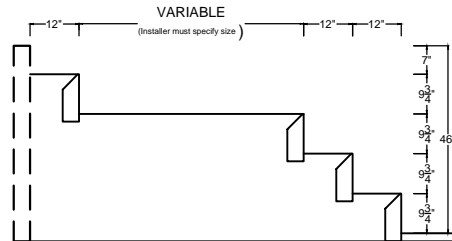
## 16' x 90° Nexus Full End Stair 48" Walls - 48VS1690



## 16' x 90° Nexus Full End Stair w/ Variable Sundeck 48" Walls - 48VS1690



PLEASE PROVIDE SUNDECK  
SIZE FOR LINER PRODUCTION





# 48VS1890

Count	PART#	DESCRIPTION	LETTER
4	NSS136	48" Step Riser	(A)
16	NSS100	42" Step Riser	(B)
4	NSS10748	48" Stair Brace Wall Insert	(H)
8	NSS308	36" Sundeck / Stair Brace Extension	(T)
4	NSS30448	2 Piece Straight Stair Brace - Top Step	(W)
4	NSS30548	2 Piece Straight Stair Brace - Bottom Step	(X)

**PART NSS30848 (T) is only used when a sundeck is being created**

### Included Stair Hardware

1	149271	3/8" x 18" Rebar - Bundle of 20	---
90	149664	3/8" Washer Head Hex Nut	---
90	149670	3/8" x 1 1/4" Washer Head Hex Bolt	---
40	42999	1 5/8" Clip Screw	---
1	TEK75	Tek Screws - Pack of 75	---
6	NSS1112	Large Nexus Brace Clip	---
12	NSS8BR	8' Bead Receiver	---

**NOTE:** This Modular Step Unit comes with Bead Receiver (NSS8BR) to accommodate sundecks up to 8' in width.

FOR VINYL WORKS USE -  
48VS1890 - \_\_\_\_\_"

- 1) Steel braces will be attached BETWEEN sections on step treads. End flanges on adjoining step risers will create a pocket to insert the steel brace.
- 2) Steel braces NSS304 & NSS305 bolted together will create the standard NSS147 brace for full end step units.
- 3) Installer must specify the measurement of the sundeck area to ensure proper liner fit.
- 4) This Modular Step Unit can be made with 6" Radius Corners by installing the optional 6"R foam corner insert (GLAUC4442NT). One required per feature that must be cut to size. **ALWAYS SPECIFY CORNERS WHEN ORDERING THE POOL AND LINER.**

**NOTES FOR INSTALLER:**  
PERIMETER PANELS WILL REQUIRE DRILLING HOLES TO ATTACH STEP RISERS



# Imperial POOLS

**ALWAYS SPECIFY  
6" OR 90° CORNERS  
WHEN ORDERING THE  
POOL AND LINER.**

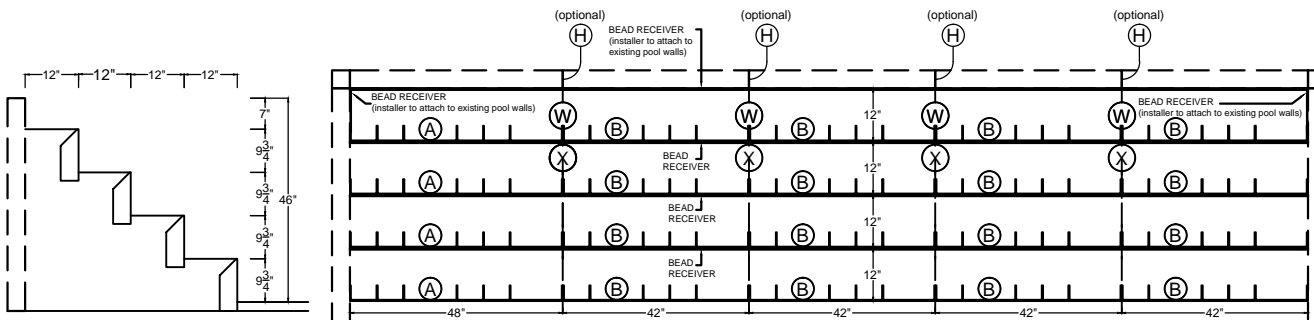
# Polymer

**48" WALLS POOL SYSTEM**

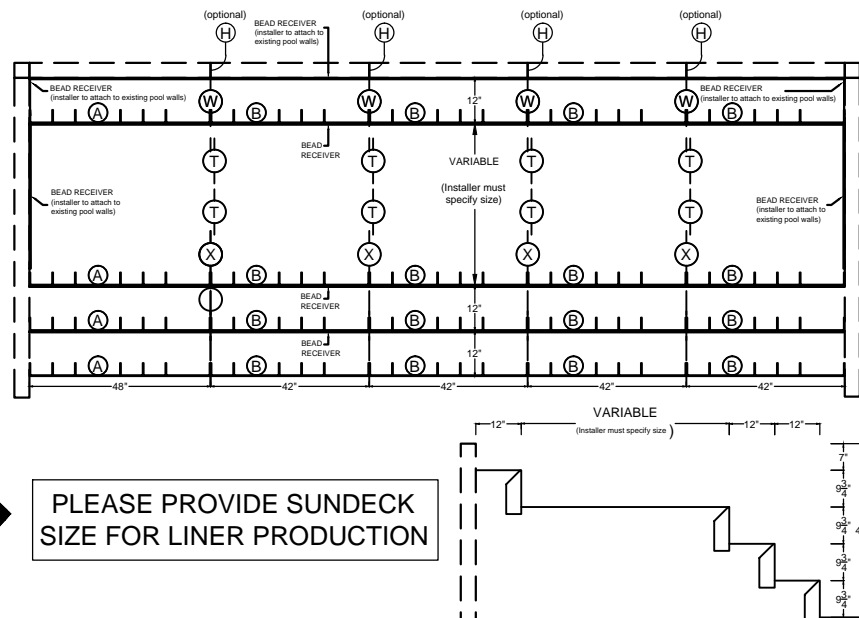
THIS STAIR / SUNDECK CONFORMS TO  
CURRENT *APSP/ANSI/ICC-5 2011* &  
*ISPS 2024* STANDARDS FOR  
RESIDENTIAL INGROUND SWIMMING  
POOLS

116

## 18' x 90° Nexus Full End Stair - 48" Walls - 48VS1890



## 18' x 90° Nexus Full End Stair w/ Variable Sundeck 48" Walls - 48VS1890



PLEASE PROVIDE SUNDECK  
SIZE FOR LINER PRODUCTION

# 48VS2090

Count	PART#	DESCRIPTION	LETTER
20	NSS136	48" Step Riser	(A)
4	NSS10748	48" Stair Brace Wall Insert	(H)
8	NSS308	36" Sundeck / Stair Brace Extension	(T)
4	NSS30448	2 Piece Straight Stair Brace - Top Step	(W)
4	NSS30548	2 Piece Straight Stair Brace - Bottom Step	(X)

**PART NSS30848 (T) is only used when a sundeck is being created**

### Included Stair Hardware

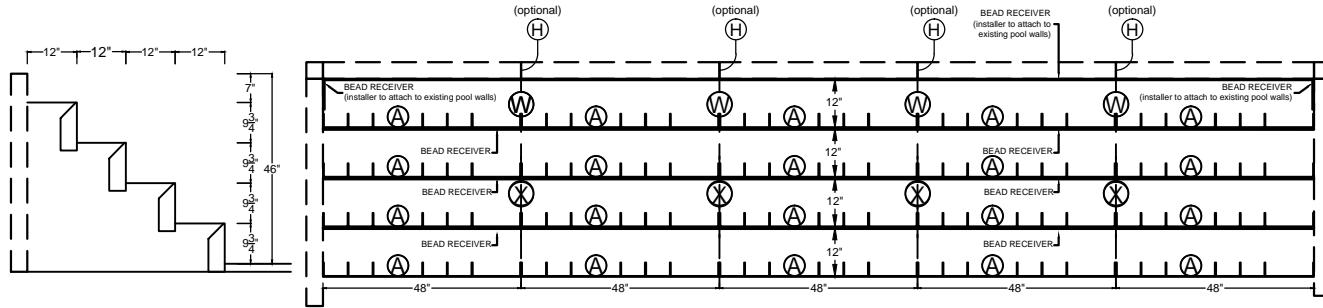
1	149271	3/8" x 18" Rebar - Bundle of 20	---
90	149664	3/8" Washer Head Hex Nut	---
90	149670	3/8" x 1 1/4" Washer Head Hex Bolt	---
40	42999	1 5/8" Clip Screw	---
1	TEK75	Tek Screws - Pack of 75	---
6	NSS1112	Large Nexus Brace Clip	---
13	NSS8BR	8' Bead Receiver	---

**NOTE:** This Modular Step Unit comes with Bead Receiver (NSS8BR) to accommodate sundecks up to 8' in width.

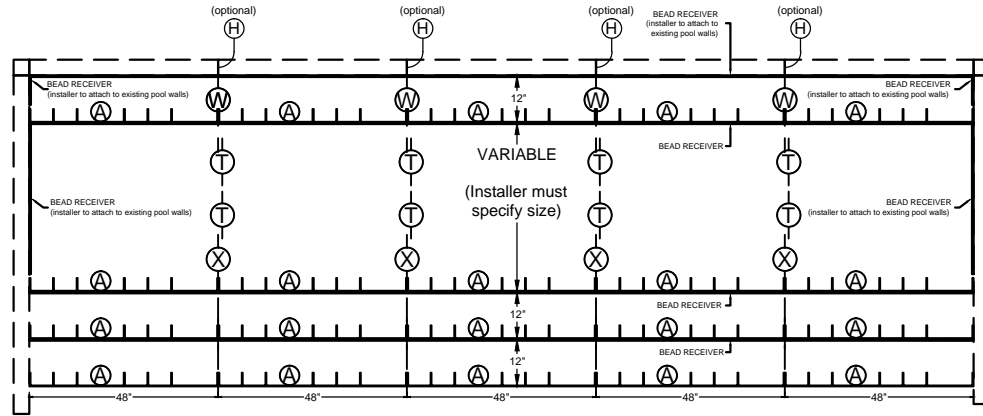
FOR VINYL WORKS USE  
- 48VS2090 - \_\_\_\_\_"

- Steel braces will be attached BETWEEN sections on step treads. End flanges on adjoining step risers will create a pocket to insert the steel brace.
- Steel braces NSS304 & NSS305 bolted together will create the standard NSS147 brace for full end step units.
- Installer must specify the measurement of the sundeck area to ensure proper liner fit.
- This Modular Step Unit can be made with 6" Radius Corners by installing the optional 6"R foam corner insert (GLAUC4442NT). One required per feature that must be cut to size. **ALWAYS SPECIFY CORNERS WHEN ORDERING THE POOL AND LINER.**

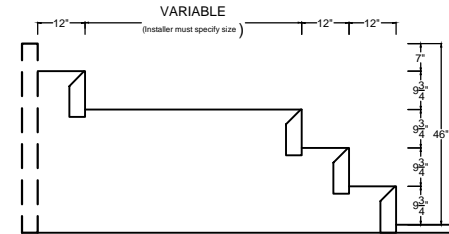
## 20' x 90° Nexus Full End Stair w/ Variable Sundeck - 48" Walls - 48VS2090



## 20' x 90° Nexus Full End Stair w/ Variable Sundeck - 48" Walls - 48VS2090



PLEASE PROVIDE SUNDECK SIZE FOR LINER PRODUCTION



**NOTES FOR INSTALLER:**  
PERIMETER PANELS WILL REQUIRE DRILLING HOLES TO ATTACH STEP RISERS



**Imperial  
POOLS**

**ALWAYS SPECIFY  
6" OR 90° CORNERS  
WHEN ORDERING THE  
POOL AND LINER.**

**Polymer**  
**48" WALLS POOL SYSTEM**

THIS STAIR / SUNDECK CONFORMS TO  
CURRENT **APSP/ANSI/ICC-5 2011** &  
**ISPS 2024** STANDARDS FOR  
RESIDENTIAL INGROUND SWIMMING  
POOLS

117

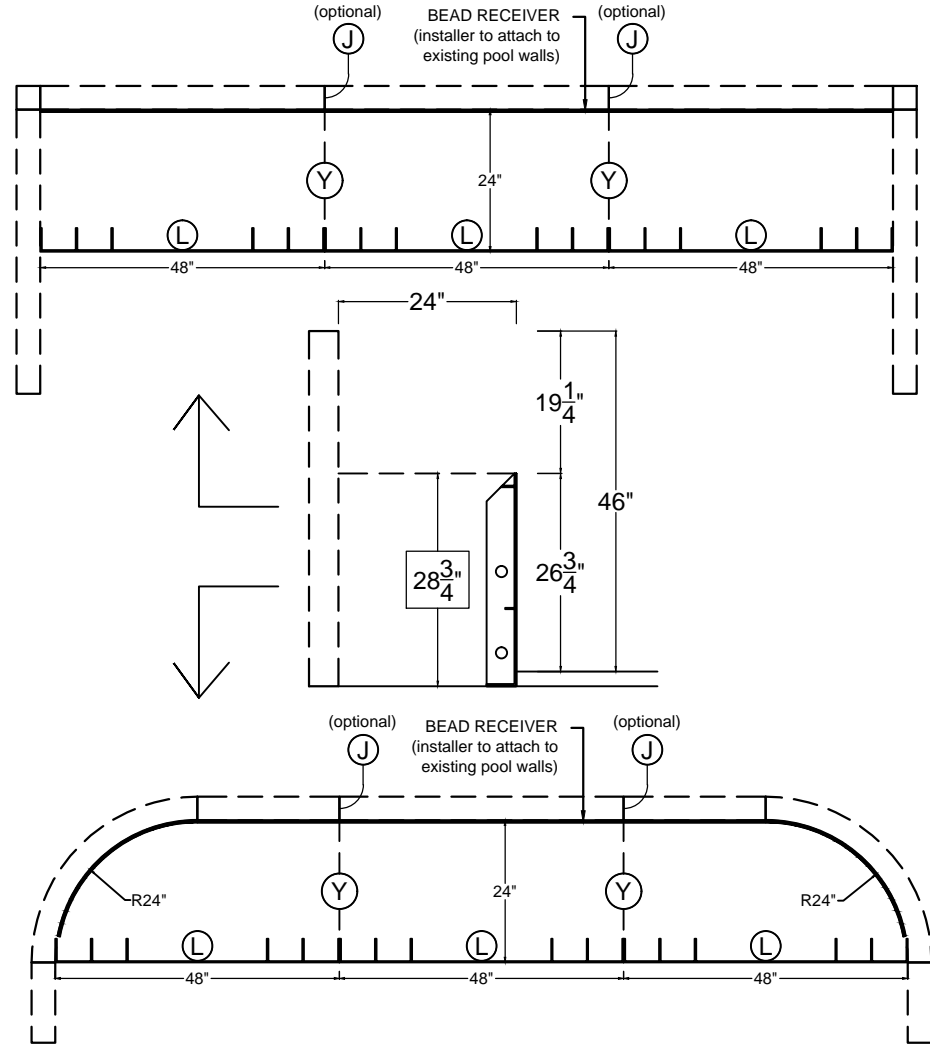
# 48VB24FE-12B

# 12' x 24" - 6", 90°, or 2'R - Nexus Full End Bench 48VB24FE-12B

Count	PART#	DESCRIPTION	LETTER
2	NSS22748	42" Bench Brace Wall Insert	(J)
3	NSS30048	48" Sundeck / Bench Riser	(L)
2	NSS30648	24" Sundeck / Bench Brace	(Y)

### Included Stair Hardware

1	149271	3/8" x 18" Rebar - Bundle of 20	---
30	149664	3/8" Washer Head Hex Nut	---
30	149670	3/8" x 1 1/4" Washer Head Hex Bolt	---
24	42999	1 5/8" Clip Screw	---
1	TEK75	Tek Screws - Pack of 75	---
4	NSS1112	Large Nexus Brace Clip	---
2	NSS8BR	8' Bead Receiver	---



**NOTES FOR INSTALLER:**  
PERIMETER PANELS WILL REQUIRE DRILLING HOLES TO ATTACH STEP RISERS



# Imperial POOLS

**ALWAYS SPECIFY  
6", 90° OR 2'R CORNERS  
WHEN ORDERING THE  
POOL AND LINER.**

# Polymer POOL SYSTEM

THIS STAIR / SUNDECK CONFORMS TO  
CURRENT *APSP/ANSI/ICC-5 2011* &  
*ISPS 2024* STANDARDS FOR  
RESIDENTIAL INGROUND SWIMMING  
POOLS

118

# 48VB24FE-14B

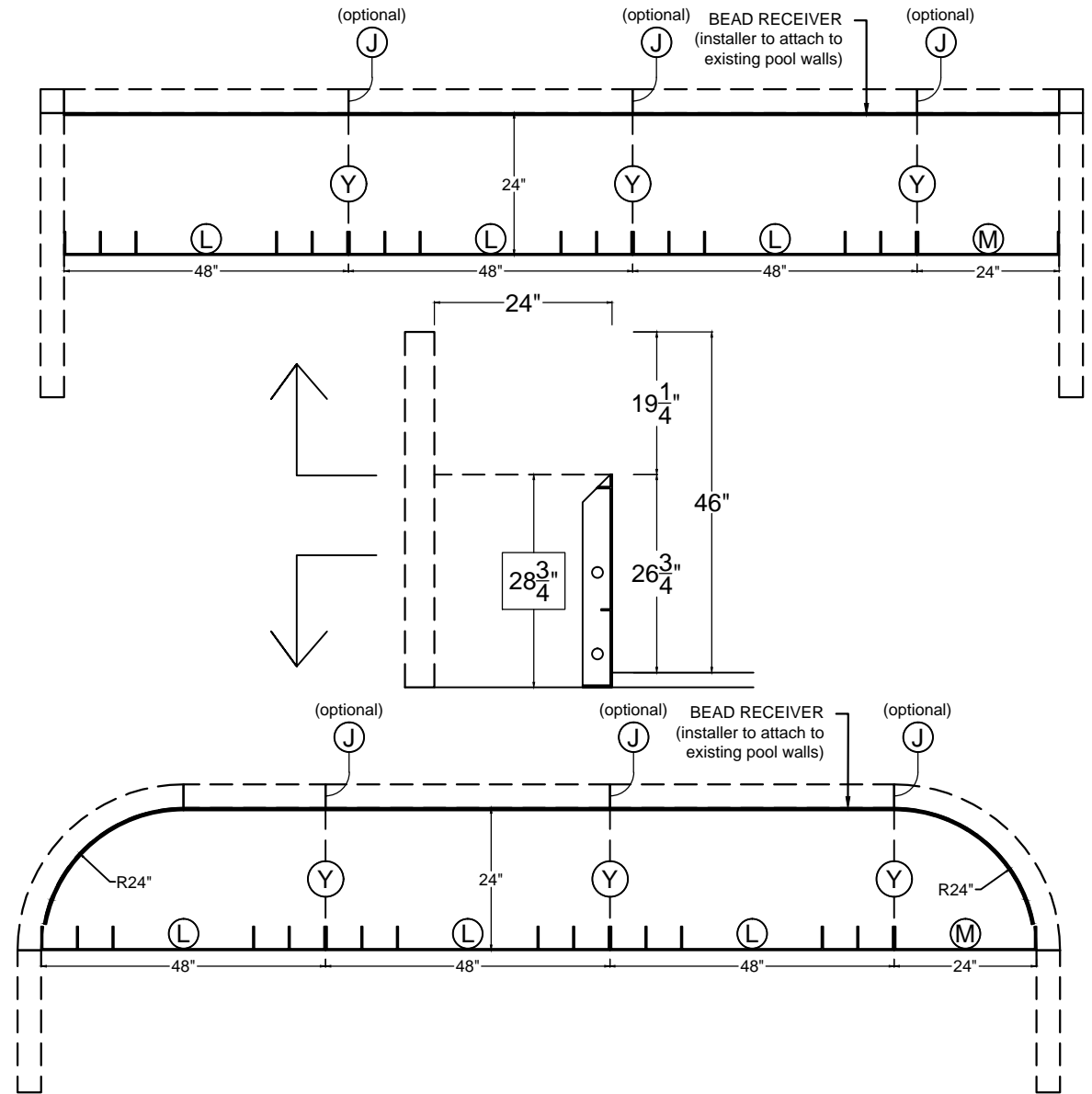
Count	PART#	DESCRIPTION	LETTER
3	NSS22748	42" Bench Brace Wall Insert	(J)
3	NSS30648	24" Sundeck / Bench Brace	(Y)
4	NSS30048	48" Sundeck / Bench Riser	(L)
1	NSS30248	24" Sundeck / Bench Riser	(M)

### Included Stair Hardware

1	149271	3/8" x 18" Rebar - Bundle of 20	---
30	149664	3/8" Washer Head Hex Nut	---
30	149670	3/8" x 1 1/4" Washer Head Hex Bolt	---
24	42999	1 5/8" Clip Screw	---
1	TEK75	Tek Screws - Pack of 75	---
4	NSS1112	Large Nexus Brace Clip	---
2	NSS8BR	8' Bead Receiver	---

# 14' x 24" - 6", 90°, or 2'R - Nexus Full End Bench

## 48VB24FE-14B



**NOTES FOR INSTALLER:**  
PERIMETER PANELS WILL REQUIRE DRILLING HOLES TO ATTACH STEP RISERS



# Imperial POOLS

**ALWAYS SPECIFY 6", 90° OR 2'R CORNERS WHEN ORDERING THE POOL AND LINER.**

# Polymer POOL SYSTEM

THIS STAIR / SUNDECK CONFORMS TO CURRENT *APSP/ANSI/ICC-5 2011* & *ISPS 2024* STANDARDS FOR RESIDENTIAL INGROUND SWIMMING POOLS

119

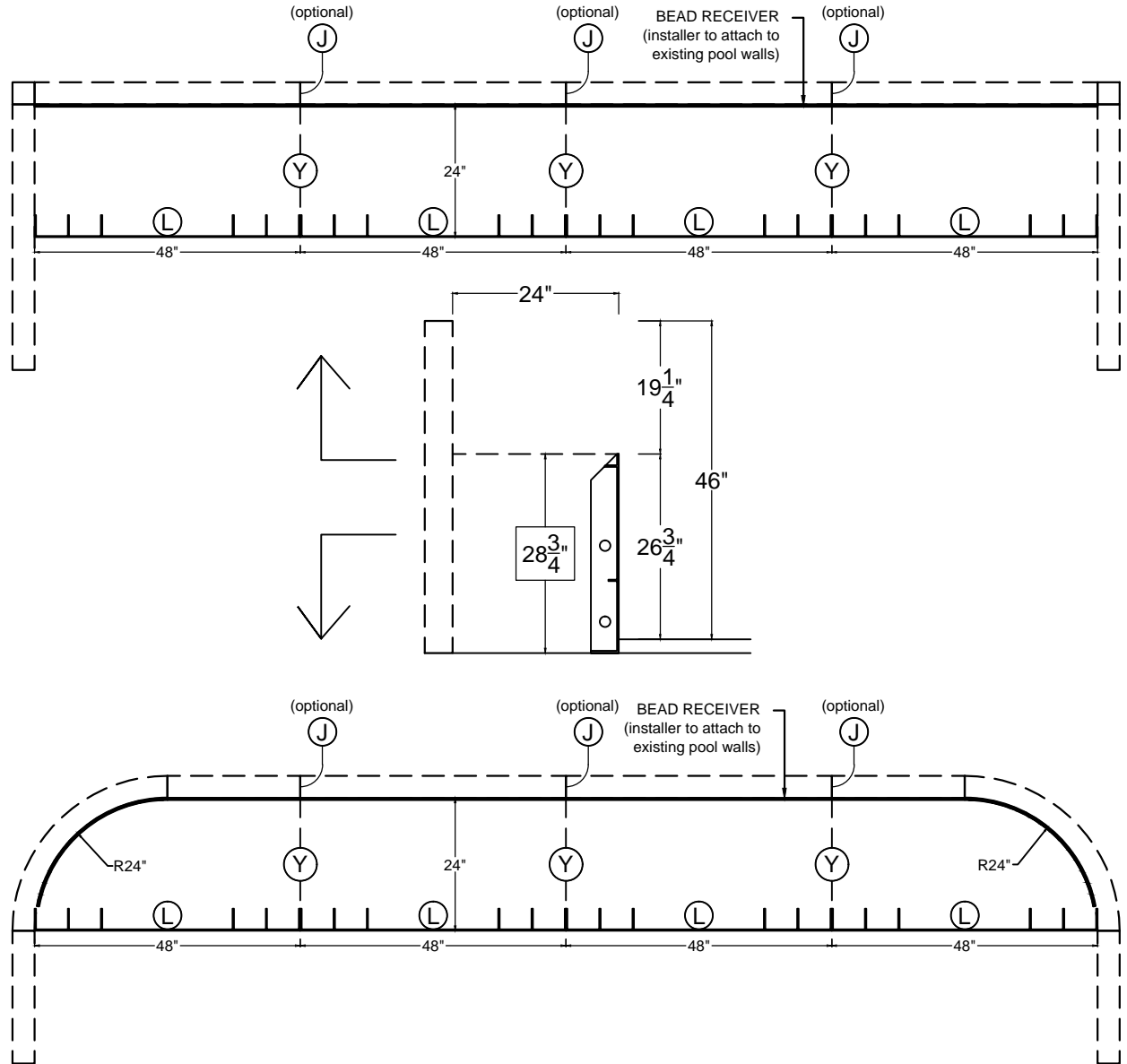
# 48VB24FE-16B

Count	PART#	DESCRIPTION	LETTER
3	NSS22748	42" Bench Brace Wall Insert	(J)
4	NSS30048	48" Sundeck / Bench Riser	(L)
3	NSS30648	24" Sundeck / Bench Brace	(Y)

### Included Stair Hardware

1	149271	3/8" x 18" Rebar - Bundle of 20	---
30	149664	3/8" Washer Head Hex Nut	---
30	149670	3/8" x 1 1/4" Washer Head Hex Bolt	---
24	42999	1 5/8" Clip Screw	---
1	TEK75	Tek Screws - Pack of 75	---
4	NSS1112	Large Nexus Brace Clip	---
2	NSS8BR	8' Bead Receiver	---

# 16' x 24" - 6", 90°, or 2'R - Nexus Full End Bench 48VB24FE-16B



**NOTES FOR INSTALLER:**  
PERIMETER PANELS WILL REQUIRE DRILLING HOLES TO ATTACH STEP RISERS



# Imperial POOLS

**ALWAYS SPECIFY  
6", 90° OR 2'R CORNERS  
WHEN ORDERING THE  
POOL AND LINER.**

# Polymer POOL SYSTEM

THIS STAIR / SUNDECK CONFORMS TO  
CURRENT *APSP/ANSI/ICC-5 2011* &  
*ISPS 2024* STANDARDS FOR  
RESIDENTIAL INGROUND SWIMMING  
POOLS

120

# 48VB24FE-18B

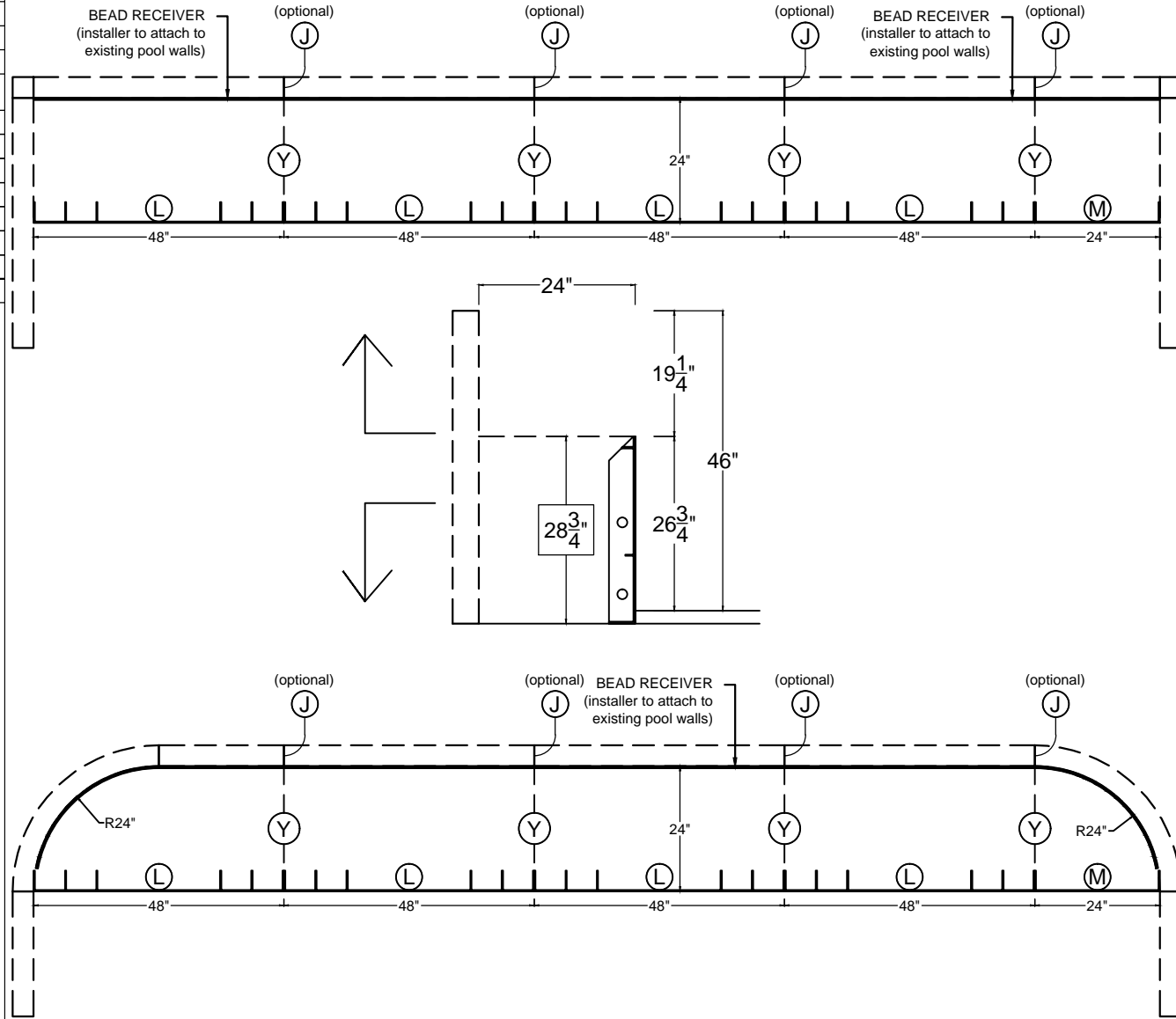
Count	PART#	DESCRIPTION	LETTER
4	NSS22748	42" Bench Brace Wall Insert	(J)
4	NSS30048	48" Sundeck / Bench Riser	(L)
1	NSS30248	24" Sundeck / Bench Riser	(M)
4	NSS30648	24" Sundeck / Bench Brace	(Y)

### Included Stair Hardware

1	149271	3/8" x 18" Rebar - Bundle of 20	---
40	149664	3/8" Washer Head Hex Nut	---
40	149670	3/8" x 1 1/4" Washer Head Hex Bolt	---
24	42999	1 5/8" Clip Screw	---
1	TEK75	Tek Screws - Pack of 75	---
4	NSS1112	Large Nexus Brace Clip	---
3	NSS8BR	8' Bead Receiver	---

# 18' x 24" - 6", 90°, or 2'R - Nexus Full End Bench

## 48VB24FE-18B



**NOTES FOR INSTALLER:**  
PERIMETER PANELS WILL REQUIRE DRILLING HOLES TO ATTACH STEP RISERS



# Imperial POOLS

**ALWAYS SPECIFY 6", 90° OR 2'R CORNERS WHEN ORDERING THE POOL AND LINER.**

# Polymer POOL SYSTEM

THIS STAIR / SUNDECK CONFORMS TO CURRENT *APSP/ANSI/ICC-5 2011* & *ISPS 2024* STANDARDS FOR RESIDENTIAL INGROUND SWIMMING POOLS

121

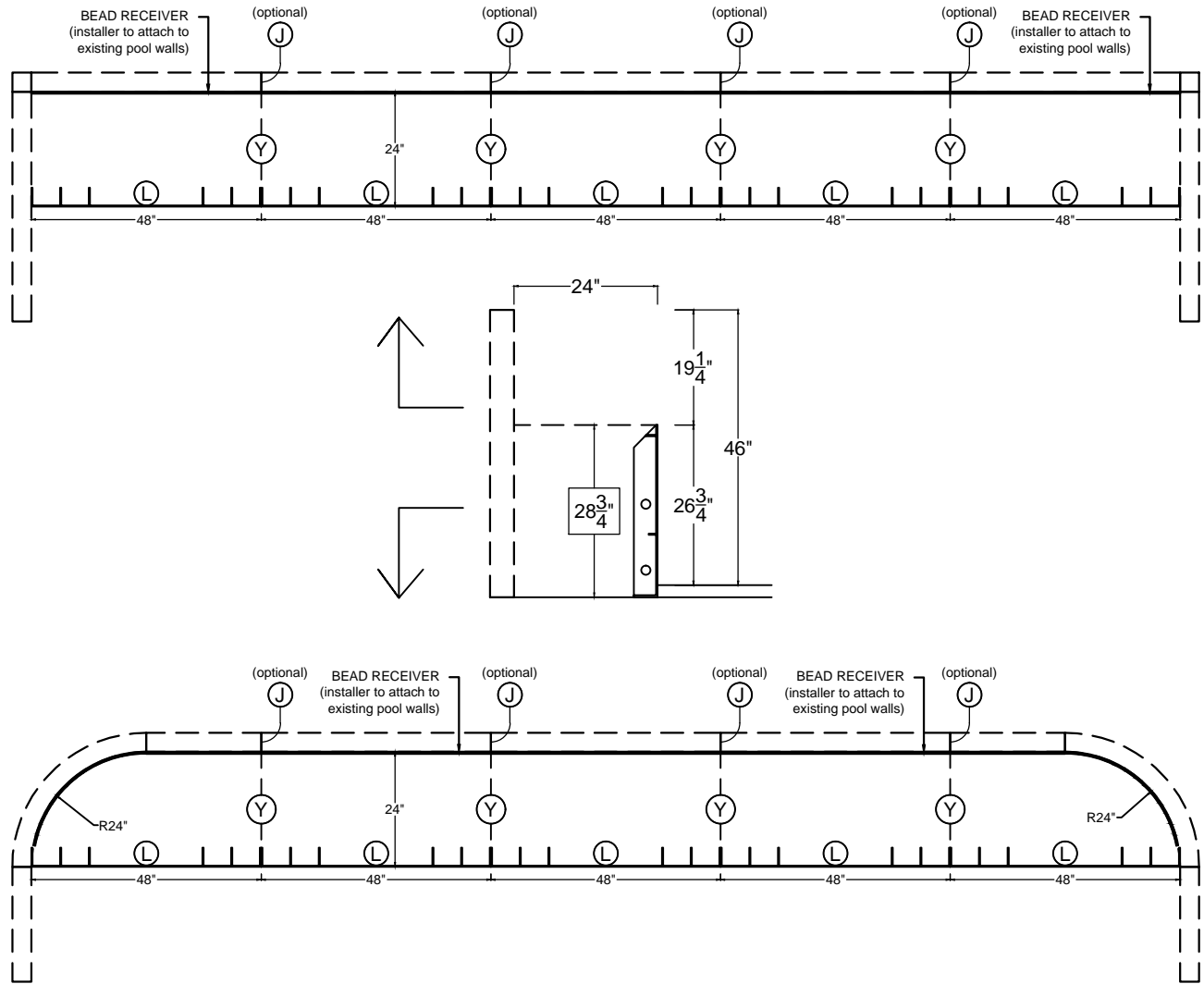
# 48VB24FE-20B

Count	PART#	DESCRIPTION	LETTER
4	NSS22748	42" Bench Brace Wall Insert	(J)
5	NSS30048	48" Sundeck / Bench Riser	(L)
4	NSS30648	24" Sundeck / Bench Brace	(Y)

### Included Stair Hardware

1	149271	3/8" x 18" Rebar - Bundle of 20	---
40	149664	3/8" Washer Head Hex Nut	---
40	149670	3/8" x 1 1/4" Washer Head Hex Bolt	---
24	42999	1 5/8" Clip Screw	---
1	TEK75	Tek Screws - Pack of 75	---
4	NSS1112	Large Nexus Brace Clip	---
3	NSS8BR	8' Bead Receiver	---

## 20' x 24" - 6", 90°, or 2'R - Nexus Full End Bench 48VB24FE-20B



**NOTES FOR INSTALLER:**  
PERIMETER PANELS WILL REQUIRE DRILLING HOLES TO ATTACH STEP RISERS



# Imperial POOLS

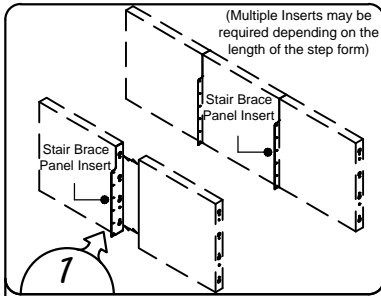
**ALWAYS SPECIFY 6", 90° OR 2'R CORNERS WHEN ORDERING THE POOL AND LINER.**

# Polymer POOL SYSTEM

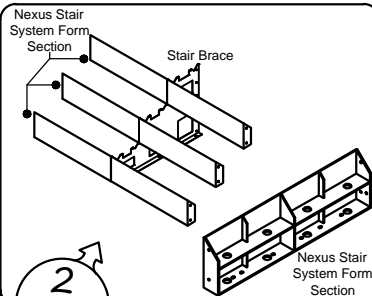
THIS STAIR / SUNDECK CONFORMS TO CURRENT *APSP/ANSI/ICC-5 2011* & *ISPSA 2024* STANDARDS FOR RESIDENTIAL INGROUND SWIMMING POOLS

122

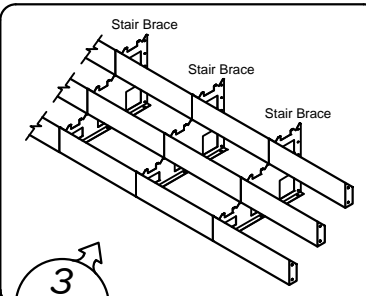
# 42" STRAIGHT STAIR ASSEMBLY & INSTALLATION



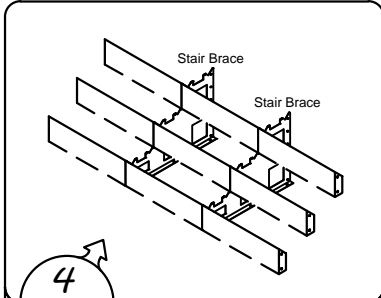
(Multiple Inserts may be required depending on the length of the step form)  
Place Stair Brace Panel Insert in the wall panel seam where the stair will be centered (FIG. 2). The Insert must be secured in place using the Panel Brace and Peg & Wedge system and nuts and bolts before the bond beam is poured.



Bolt the Bottom, Center and Top, Step Form Sections to the Stair Brace (FIG. 3). The brace should be sandwiched between the two form pieces. Initially hand tighten all bolts.

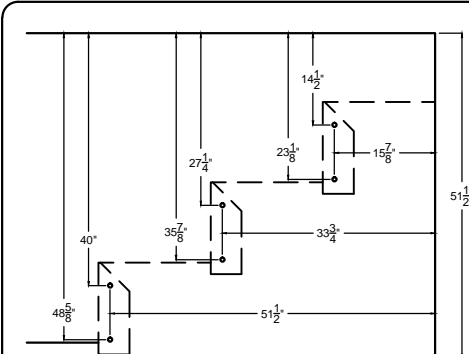


Depending on the length of the step, bolt any additional Braces and Form Sections to the step assembly (FIG. 4).

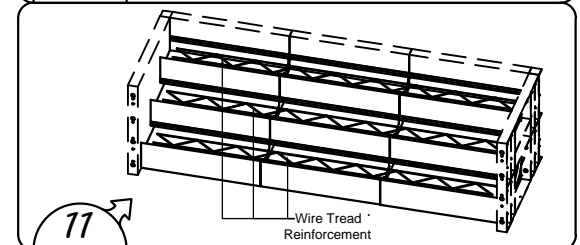
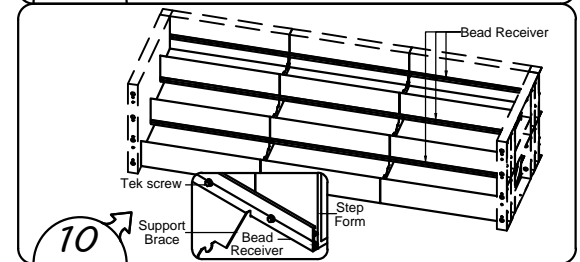
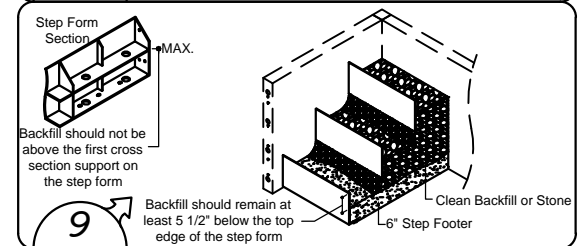
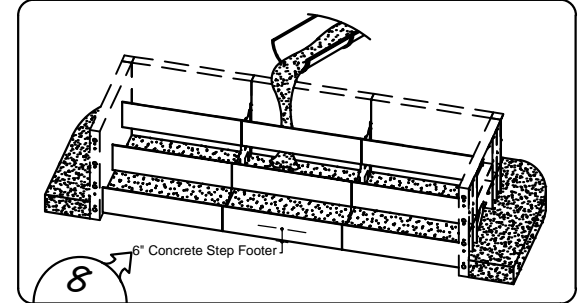
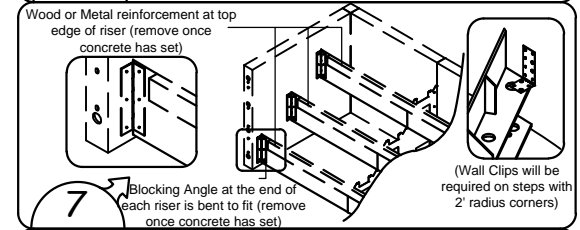
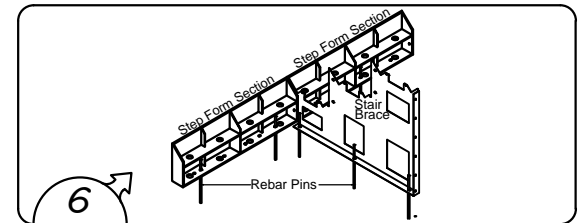
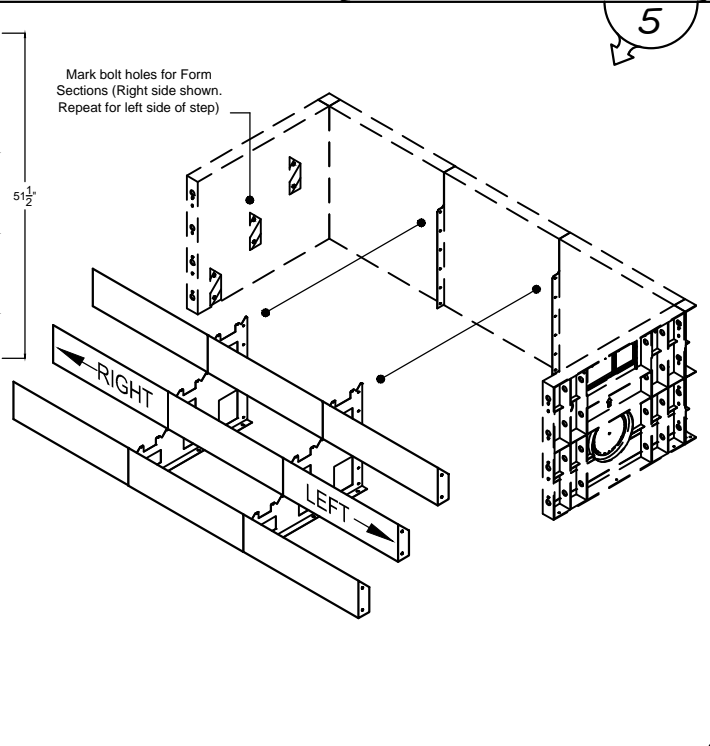


Once assembled, tighten all bolts making sure the top edge of the forms are even across the full length of each tread (FIG. 5), and the face of the riser is flush with the Stair Brace.

5) Push the step assembly into place and loosely bolt the Stair Brace to the Stair Brace Panel Insert and level the form assembly. The top edge of the bottom step form should be 12 3/8" up from the bottom edge of the pool wall panel (10 3/8" riser with a 2" finished pool bottom)  
6) Mark the location of all bolt holes (FIG 6) for the left & right ends of the Form Sections on the face of the pool walls. (Verify the hole locations with the provided measurements.)  
7) Unbolt the Center Stair Brace from the Stair Brace Panel Insert, and pull the step assembly away from the wall.  
8) Drill all the bolt holes using a 1/2" drill bit.  
9) Push the step assembly back into place and secure the Stair Brace to the Stair Brace Panel Insert.  
10) Bolt the ends of the Form Sections securely to the pool wall.



Mark bolt holes for Form Sections (Right side shown. Repeat for left side of step)

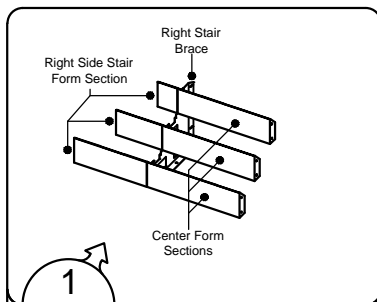


ASSEMBLY

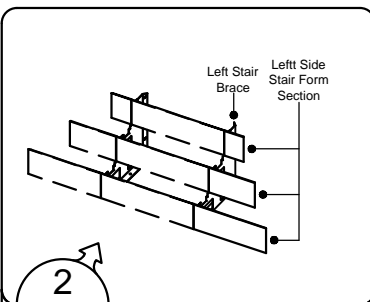
INSTALLATION



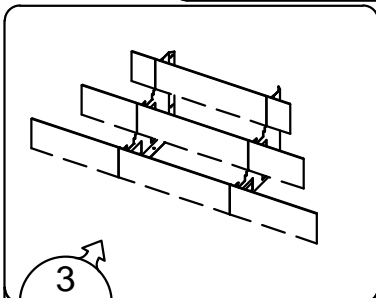
# 42" CORNER STAIR ASSEMBLY & INSTALLATION



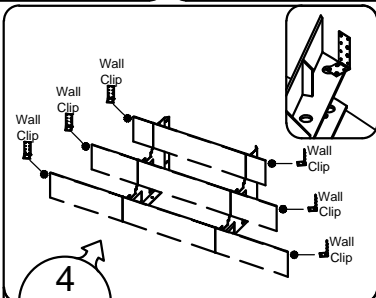
**1**  
Bolt the Right Side Bottom, Center and Top, Step Form Sections to the Right Stair Brace and Center Form Sections (FIG. 2). The brace should be sandwiched between the two form pieces. Initially hand tighten all bolts.



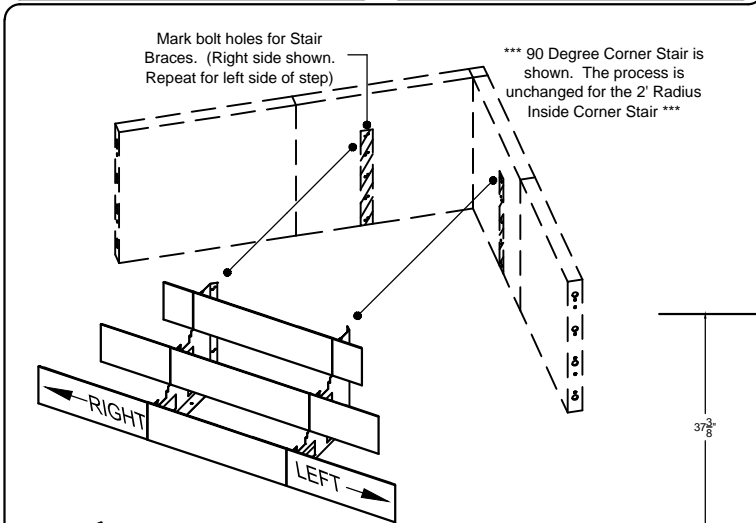
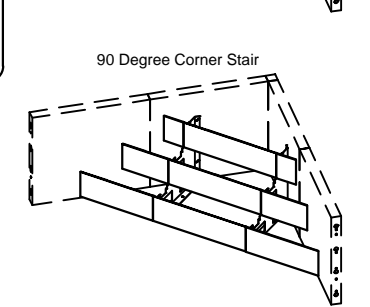
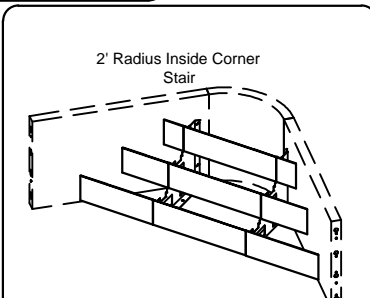
**2**  
Bolt the Left Side Bottom, Center and Top, Step Form Sections and the Left Stair Brace to the step assembly (FIG. 3). The brace should be sandwiched between the two form pieces. Initially hand tighten all bolts.



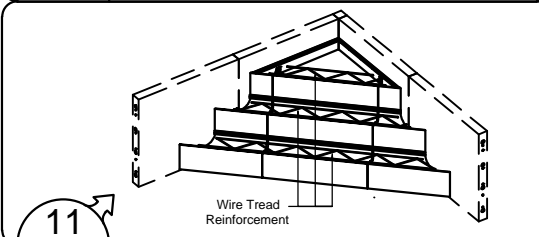
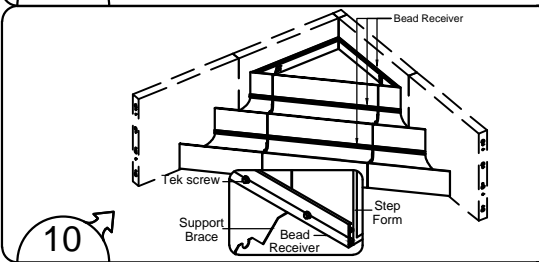
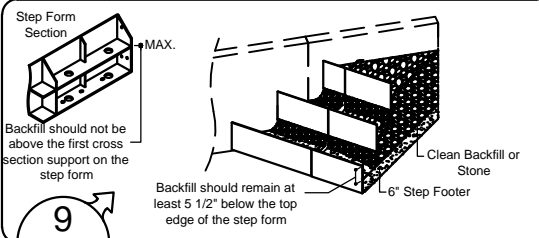
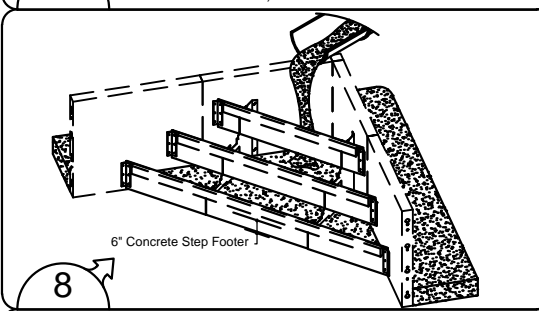
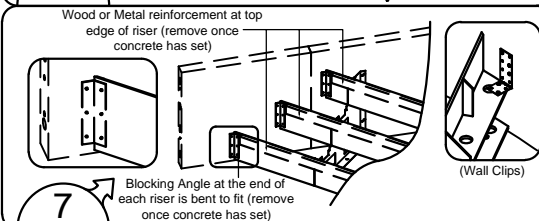
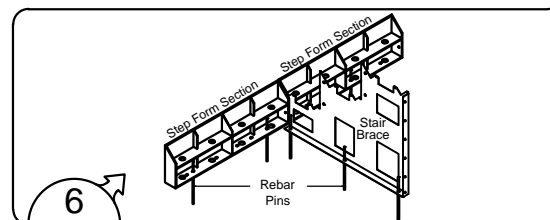
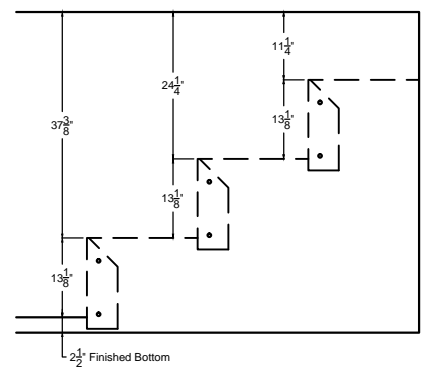
**3**  
Once assembled, tighten all bolts making sure the top edge of the forms are even across the full length of each tread (FIG 4), and the face if the riser is flush with the Stair Brace.



**4**  
Screw a Wall Clip to the Left & Right Extensions (FIG 5) along the upper horizontal rib (6" below the top edge of the form). The vertical face of the clip should be flush with the mitered end of the Form Extension.



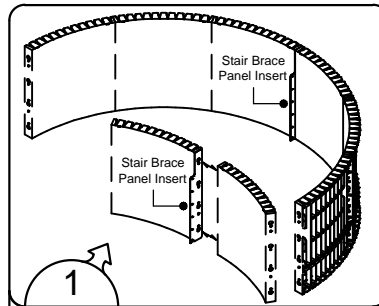
**5**  
6) Push the step assembly into place and level the form assembly. The treads should be at the depths shown (measured down from the top of the wall panel).  
7) Mark the location of all bolt holes (FIG 6) for the left & right Stair Braces on the face of the pool walls.  
8) Pull the step assembly away from the wall.  
9) Drill all the bolt holes using a 1/2" drill bit.  
10) Push the step assembly back into place and secure the bolt the Stair Braces securely to the pool wall.



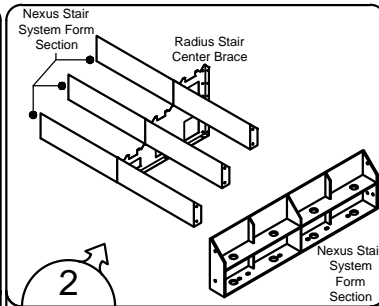
ASSEMBLY

INSTALLATION

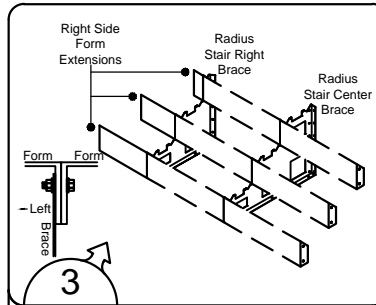
# 42" RADIUS STAIR ASSEMBLY & INSTALLATION



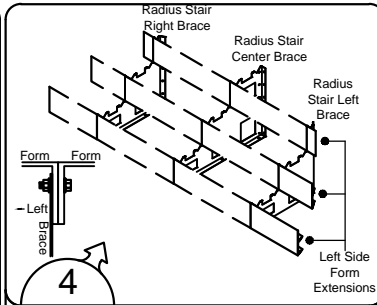
1  
Place Stair Brace Panel Insert in the wall panel seam where the stair will be centered (FIG. 2). The Insert must be secured in place using the Panel Brace and Peg & Wedge system and bolts before the bond beam is poured.



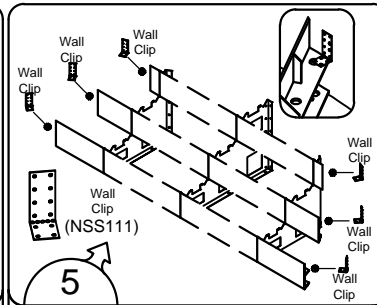
2  
Bolt the Bottom, Center and Top, Step Form Sections to the Radius Stair Center Brace (FIG. 3). The brace should be sandwiched between the two form pieces. Initially hand tighten all bolts.



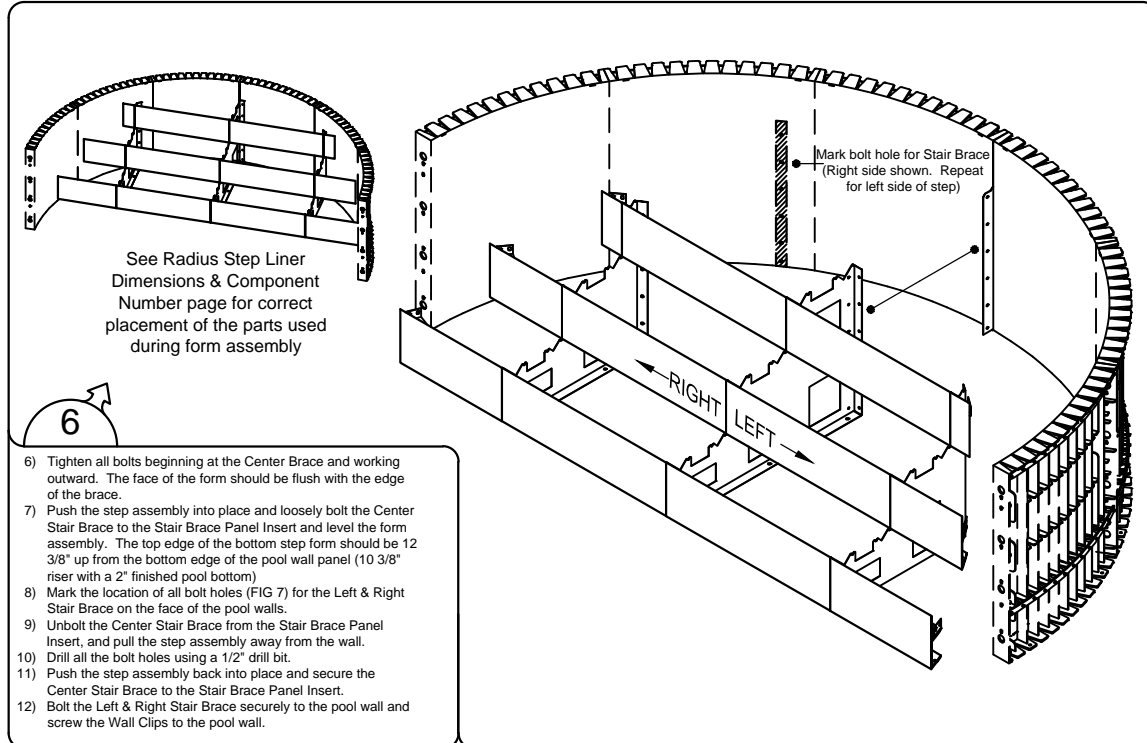
3  
Bolt the Bottom, Center and Top, Right Side Form Extensions and the Right Stair Brace to the step assembly (FIG. 4). The brace should be attached to the left side of the step form flange. Initially hand tighten all bolts.



4  
Bolt the Bottom, Center and Top, Left Side Form Extensions and the Left Stair Brace to the step assembly (FIG. 5). The brace should be attached to the left side of the step form flange. Initially hand tighten all bolts.

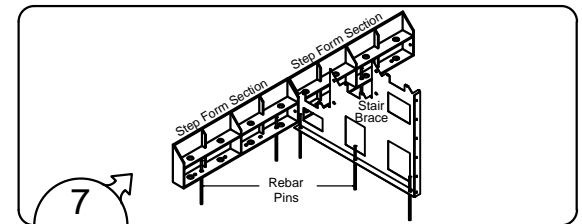


5  
Screw a Wall Clip to the Left & Right Extensions (FIG 6) along the upper horizontal rib (6" below the top edge of the form). The vertical face of the clip should be flush with the mitered end of the Form Extension.



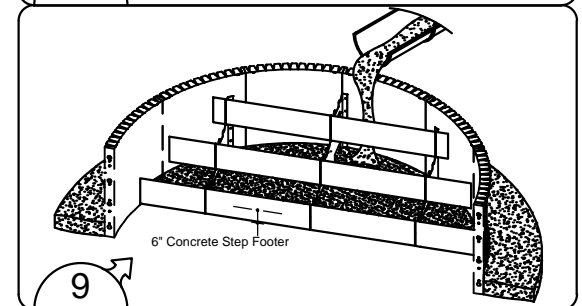
See Radius Step Liner Dimensions & Component Number page for correct placement of the parts used during form assembly

- 6) Tighten all bolts beginning at the Center Brace and working outward. The face of the form should be flush with the edge of the brace.
- 7) Push the step assembly into place and loosely bolt the Center Stair Brace to the Stair Brace Panel Insert and level the form assembly. The top edge of the bottom step form should be 12 3/8" up from the bottom edge of the pool wall panel (10 3/8" riser with a 2" finished pool bottom)
- 8) Mark the location of all bolt holes (FIG 7) for the Left & Right Stair Brace on the face of the pool walls.
- 9) Unbolt the Center Stair Brace from the Stair Brace Panel Insert, and pull the step assembly away from the wall.
- 10) Drill all the bolt holes using a 1/2" drill bit.
- 11) Push the step assembly back into place and secure the Center Stair Brace to the Stair Brace Panel Insert.
- 12) Bolt the Left & Right Stair Brace securely to the pool wall and screw the Wall Clips to the pool wall.



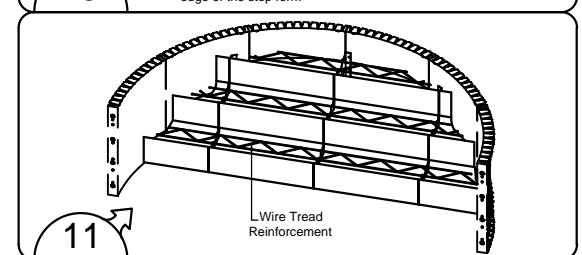
7  
Wood or Metal reinforcement at top edge of riser (remove once concrete has set)

8  
Blocking Angle at the end of each riser is bent to fit (remove once concrete has set)



9  
6" Concrete Step Footer

10  
Backfill should not be above the first cross section support on the step form  
Backfill should remain at least 5 1/2" below the top edge of the step form  
Clean Backfill or Stone  
6" Step Footer

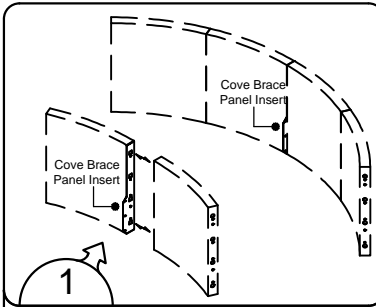


11  
Wire Tread Reinforcement

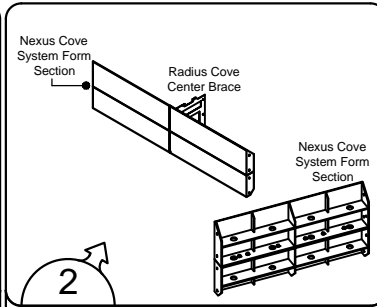
12  
Bead Receiver  
Tek screw  
Support Brace  
Bead Receiver  
Step Form

ASSEMBLY  
INSTALLATION

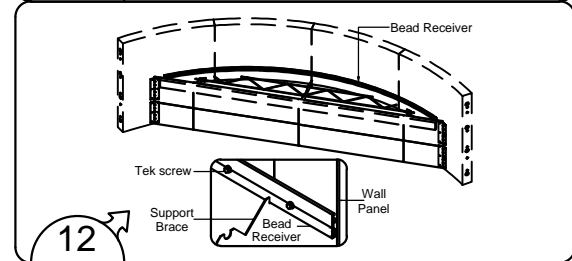
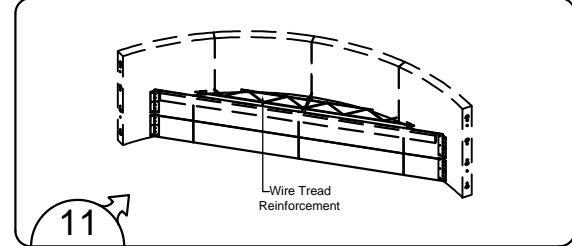
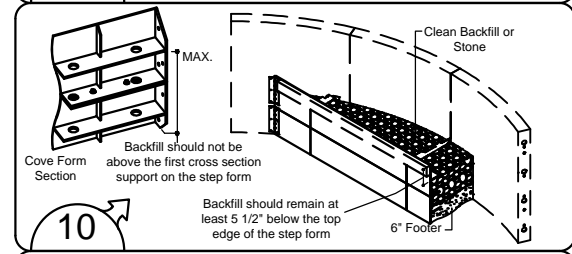
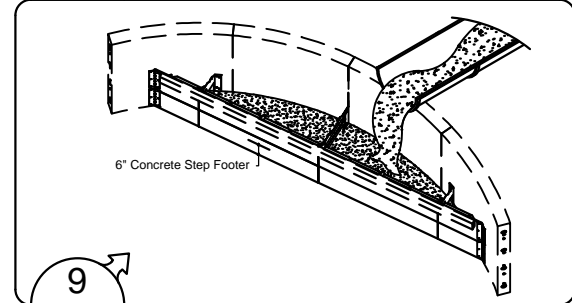
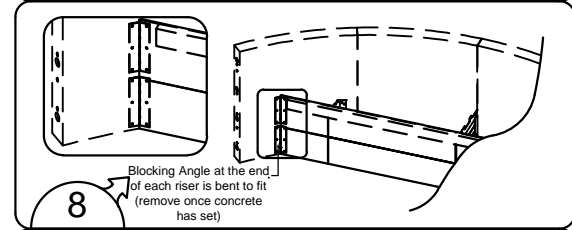
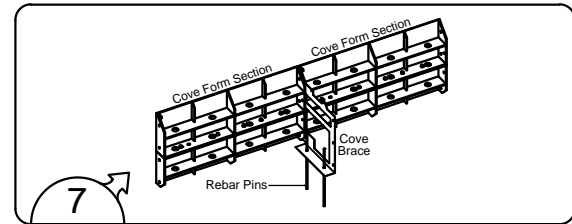
# 42" CUDDLE COVE ASSEMBLY & INSTALLATION



1 Place Cove Brace Panel Insert in the wall panel seam where the cove will be centered (FIG. 2). The Insert must be secured in place using the Panel Brace and Peg & Wedge system and bolts before the bond beam is poured.

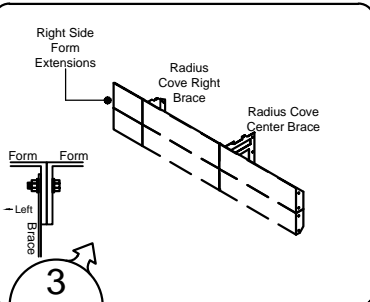


2 Bolt the Cove Form Sections to the Radius Cove Center Brace (FIG. 3). The brace should be sandwiched between the two form pieces. Initially hand tighten all bolts.

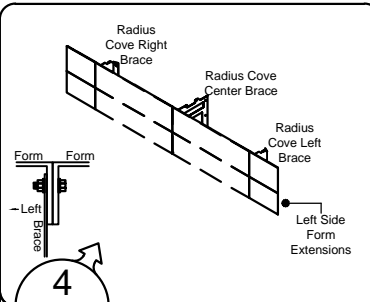


ASSEMBLY

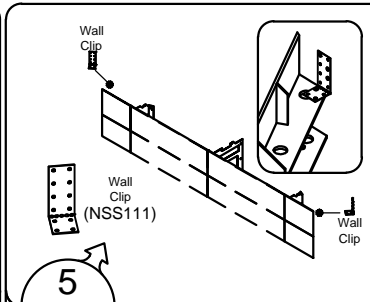
INSTALLATION



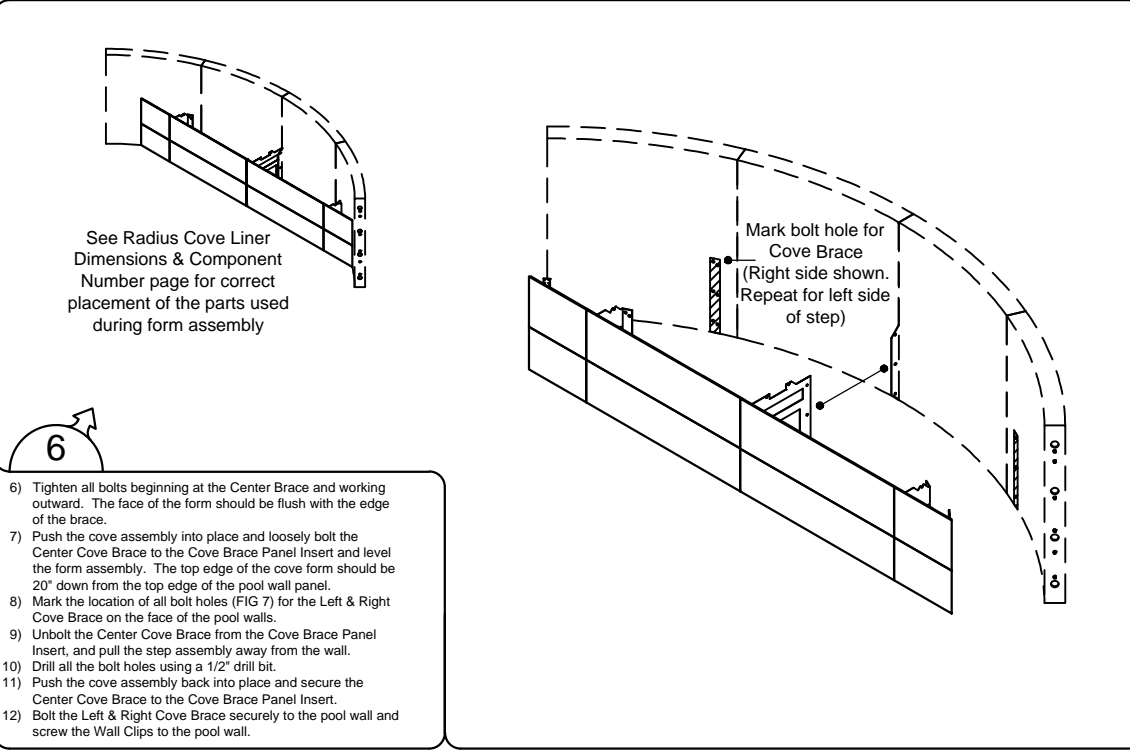
3 Bolt the Right Side Form Extensions and the Right Cove Brace to the assembly (FIG. 4). The brace should be attached to the left side of the step form flange. Initially hand tighten all bolts.



4 Bolt the Left Side Form Extensions and the Left Cove Brace to the assembly (FIG. 4). The brace should be attached to the left side of the step form flange. Initially hand tighten all bolts.



5 Screw a Wall Clip to the Left & Right Extensions (FIG 6) along the upper horizontal rib (6" below the top edge of the form). The vertical face of the clip should be flush with the mitered end of the Form Extension.



- 6) Tighten all bolts beginning at the Center Brace and working outward. The face of the form should be flush with the edge of the brace.
- 7) Push the cove assembly into place and loosely bolt the Center Cove Brace to the Cove Brace Panel Insert and level the form assembly. The top edge of the cove form should be 20" down from the top edge of the pool wall panel.
- 8) Mark the location of all bolt holes (FIG 7) for the Left & Right Cove Brace on the face of the pool walls.
- 9) Unbolt the Center Cove Brace from the Cove Brace Panel Insert, and pull the step assembly away from the wall.
- 10) Drill all the bolt holes using a 1/2" drill bit.
- 11) Push the cove assembly back into place and secure the Center Cove Brace to the Cove Brace Panel Insert.
- 12) Bolt the Left & Right Cove Brace securely to the pool wall and screw the Wall Clips to the pool wall.

# Installation Instructions for Nexus Open Top 42" Straight Stairs, Radius Stairs, Corner Stairs and Cuddle Covs

## **Installation Instructions**

After completing Assembly Instructions and Stair/Cuddle Cove Form is secured to the pool wall, check and make sure that everything is **Square and Level**. Make any necessary adjustments.

1. Secure assembly in place with rebar supplied using rebar holes that are located on the bottom riser form sections and also each stair Brace. (FIG. 6 or 7)
  
2. **\*\*Additional reinforcement is recommended on the face of the Riser with metal bar or lumber (Materials not supplied.)**. Add blocking angle to reinforce the Riser-Wall connection (FIG. 7 or 8). Installation of Wall Clips may be required on steps with cut corners.
  
3. Pour 2500 P.S.I. concrete footer around all stair braces, minimum 6" deep. Also at this time pour footer around perimeter of pool per manufacturers instructions. (FIG. 8 or 9) Let concrete set before starting step #4, 12 to 24 hours is recommended depending on temperature and humidity.
  
4. Backfill with stone or clean non expansive earth (never clay), free of roots and debris. Backfilling should be thoroughly compacted in layers. Level of backfill should allow for the pouring of a minimum 5 1/2" thick concrete tread. Use first cross section support on form as your guide. (FIG. 9 or 10)
  
5. Set the aluminum Bead Receiver in the notch on the Support Braces and attach it to the step riser using the supplied Tek screws. (FIG. 10 or 11). The Bead Receiver comes in 8' sections and can be cut to size or joined with additional pieces depending on the length needed. The top edge of the Bead Receiver will be at the finished height of the tread and will provide an edge to screed the concrete. Cover the bead channel with duct tape or insert liner lock (not supplied) to prevent concrete from getting into the bead channel while trowelling.
  
- (OPTIONAL)** 6. Place Galvanized Wire Tread Reinforcement sections, or rebar, into grooves that are preset on each brace. (FIG. 11 or 12) Wire tie together if needed.
  
7. Start by pouring bottom tread first and working your way up to the top tread. Float concrete on each tread to get proper elevation. After concrete starts to setup, trowel concrete to get the smooth finish needed on all treads.

**When ordering concrete request a (Stiff) True Slump mix that is not watered down.**

\* After concrete cures, time varies depending on temperature and humidity, optional pool wall foam can be applied to steps/bench providing a cushion and smooth finish for the liner.

\* Follow liner manufacturer's instructions for liner installation.

**\*\* Different methods such as pouring completely in concrete and any precautions used for installation of this product are the responsibility of the contractor who is not an agent of the manufacturer of the component parts. Installation is to be done in accordance with all state and local building codes as well as ANSI/APSP/ICC suggested standards.**

**Pour treads with 4000lb concrete mix for best finish.**  
**Estimated concrete needed**

**Straight Stairs**

6' Stair-1.80 yds	14' Stair - 4.20 yds
8' Stair-2.40 yds	16' Stair - 4.80 yds
10' Stair-3.00 yds	18' Stair - 5.40 yds
12' Stair-3.60 yds	20' Stair - 6.00 yds

**CORNER STAIR**

90 Degree Corner Stair -- 1.40 yds
2' Radius Corner Stair -- 1.25 yds

**RADIUS STAIR**

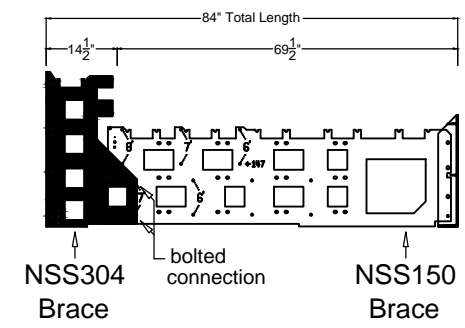
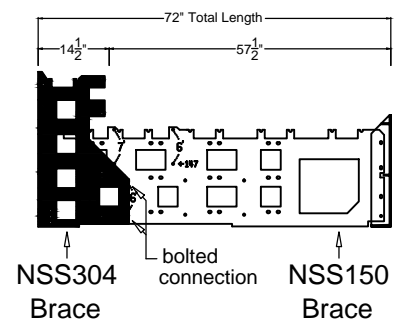
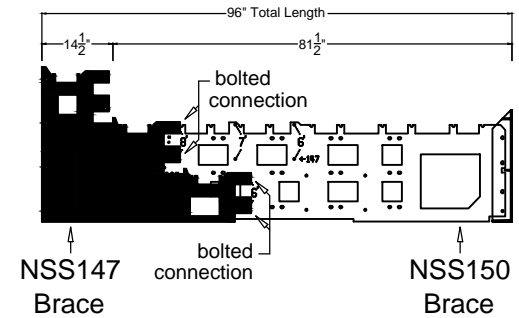
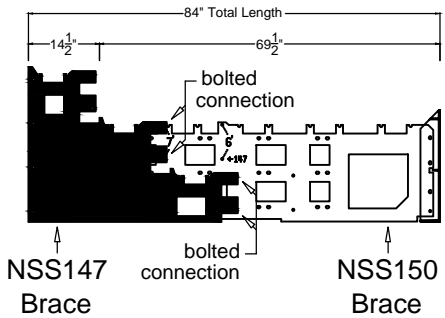
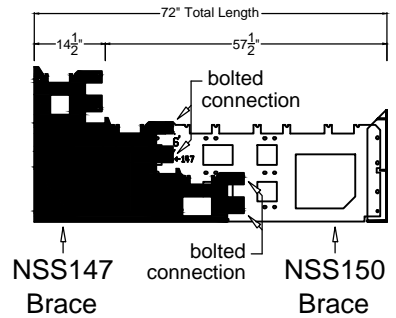
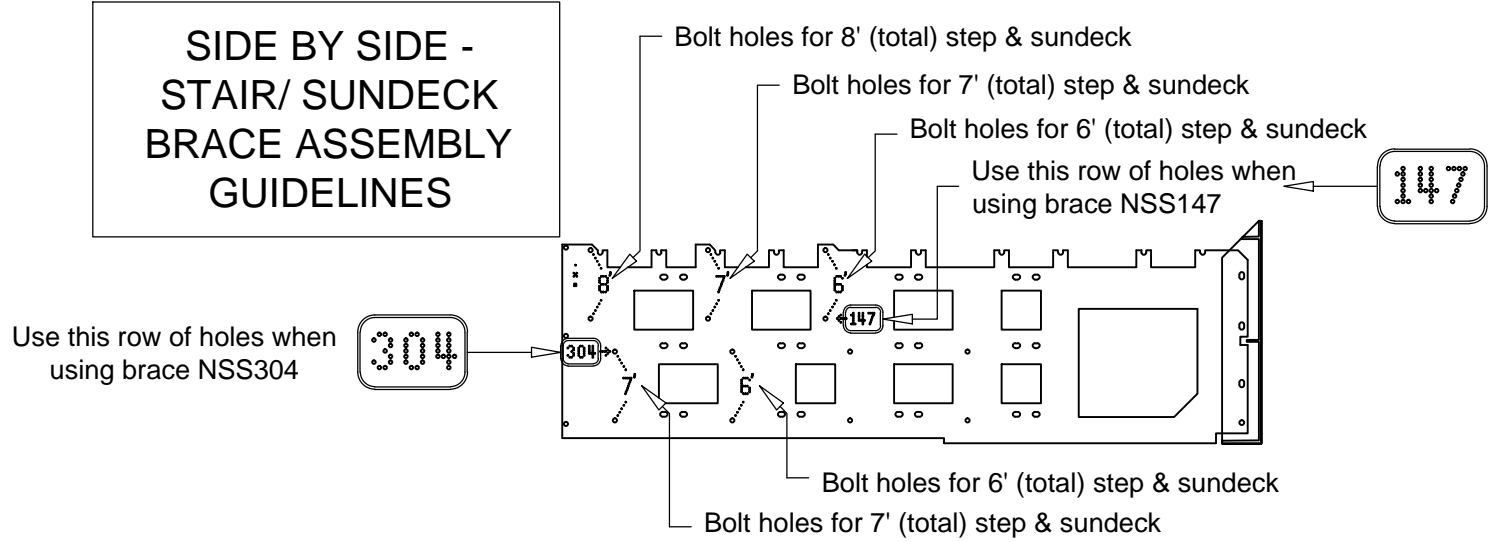
6'R X 12'W Stair-1.10 yds	10'R X 16'W Stair-1.50 yds
7'R X 13'W Stair-1.20 yds	4'8"R Stair for 16' Roman End - 1.10 yds
8'R X 14'W Stair-1.30 yds	5'3 1/4"R Stair for 18' Roman End - 1.15 yds
9'R X 15'W Stair-1.40 yds	6'R Stair for 20' Roman End - 1.25 yds

**CUDDLE COVE**

6' Radius Cove - .30 yds	9' Radius Cove - .45 yds
7' Radius Cove - .35 yds	10' Radius Cove - .55 yds
8' Radius Cove - .40 yds	

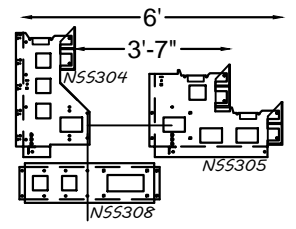
# SIDE BY SIDE BRACING

## SIDE BY SIDE - STAIR/ SUNDECK BRACE ASSEMBLY GUIDELINES

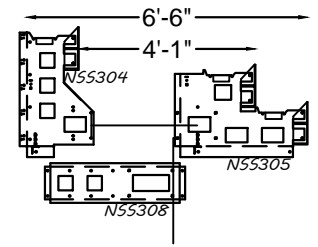


# FULL END STAIR W/ VARIABLE SUNDECK STAIR BRACING

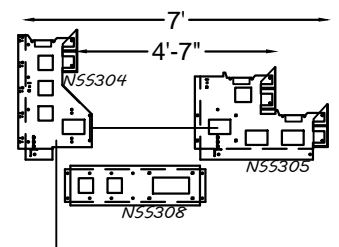
3'7" SUNDECK



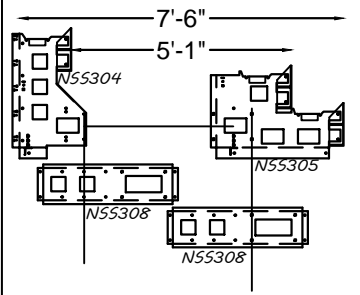
4'1" SUNDECK



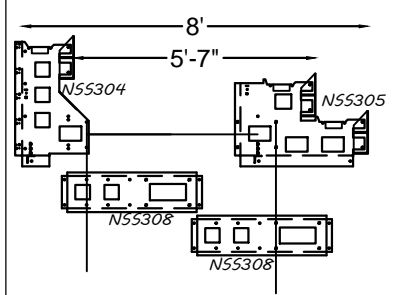
4'7" SUNDECK



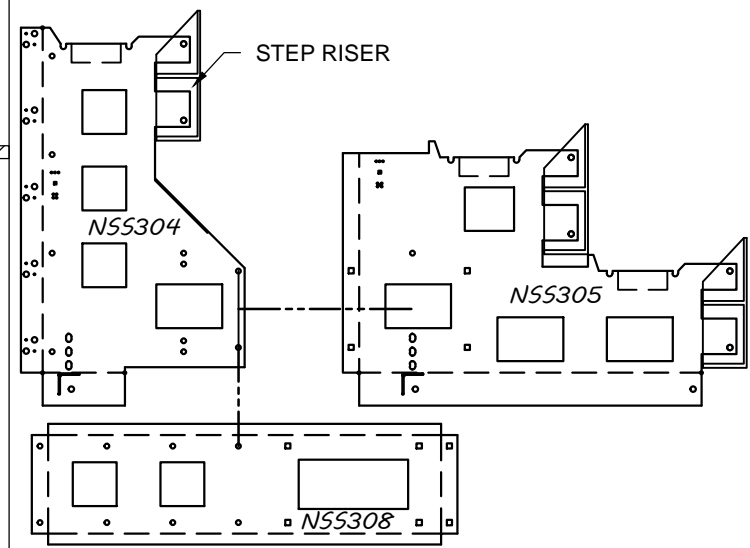
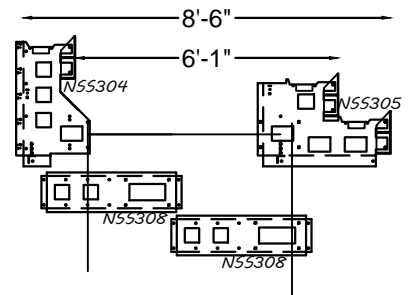
5'1" SUNDECK



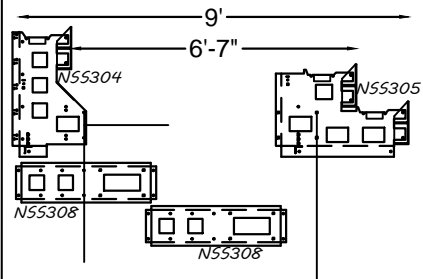
5'7" SUNDECK



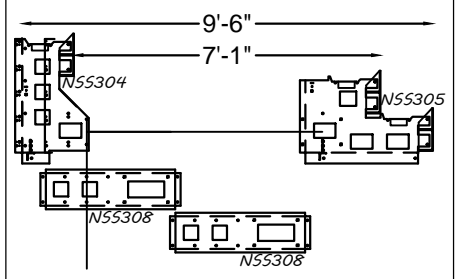
6'1" SUNDECK



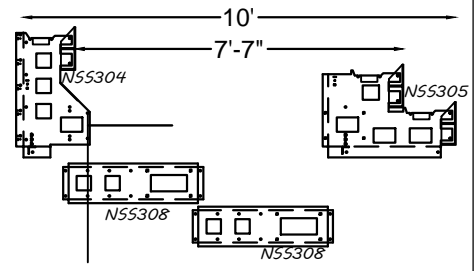
6'7" SUNDECK



7'1" SUNDECK



7'7" SUNDECK



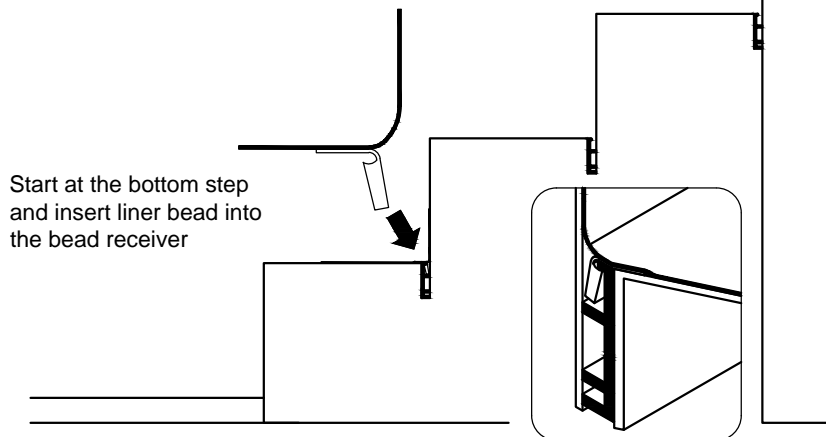
NSS304- 2 Piece Stair Brace - Top Step  
 NSS305- 2 Piece Stair Brace - Bottom Step  
 NSS308- 36" Sundeck / Stair Brace Extension

# Liner Installation Procedures

## Vinyl Covered Stairs with Liner Bead on Treads

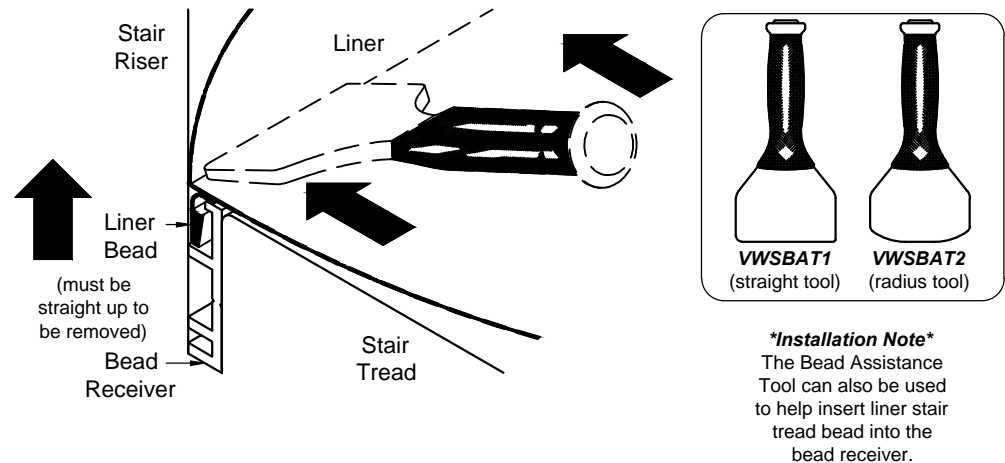
(Will only work if Bead Receiver has been installed with the stair treads during assembly)

- Liner should only be installed when temperatures are 60° F or above.
- Make sure the pool structure and stairs are **CLEAN** and free of any sharp materials that could puncture the liner.
- Position the liner squarely in the pool. (Follow installation guidelines in the owner's manual for details)
- If you are entering the pool when positioning the liner, **NEVER** wear work boots or any other footwear while on the liner. This type of damage is **NOT** covered under the limited warranty.
- Upon reaching the shallow end with the liner, start at the bottom step and work your way up. Position the liner squarely in the stair and insert the liner bead into the bead receiver that is installed on each stair tread.

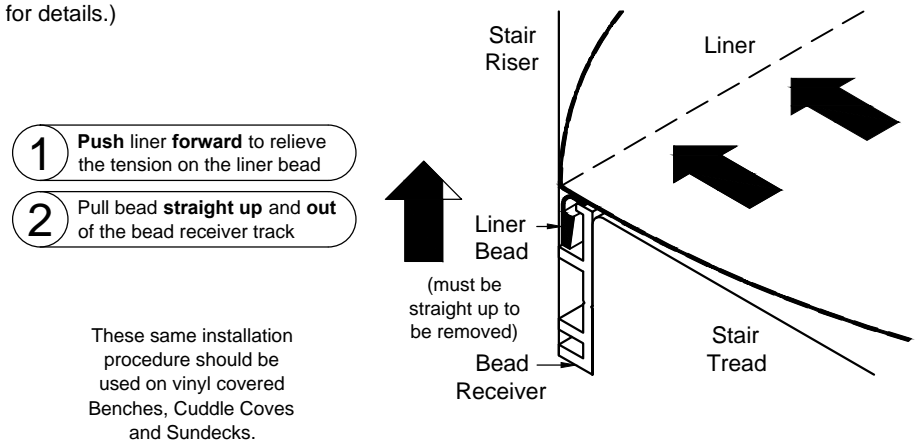


**Important Note:** If it becomes necessary to remove the liner bead from the bead receiver so the liner can be reset, follow these **guidelines to prevent damaging the liner.**

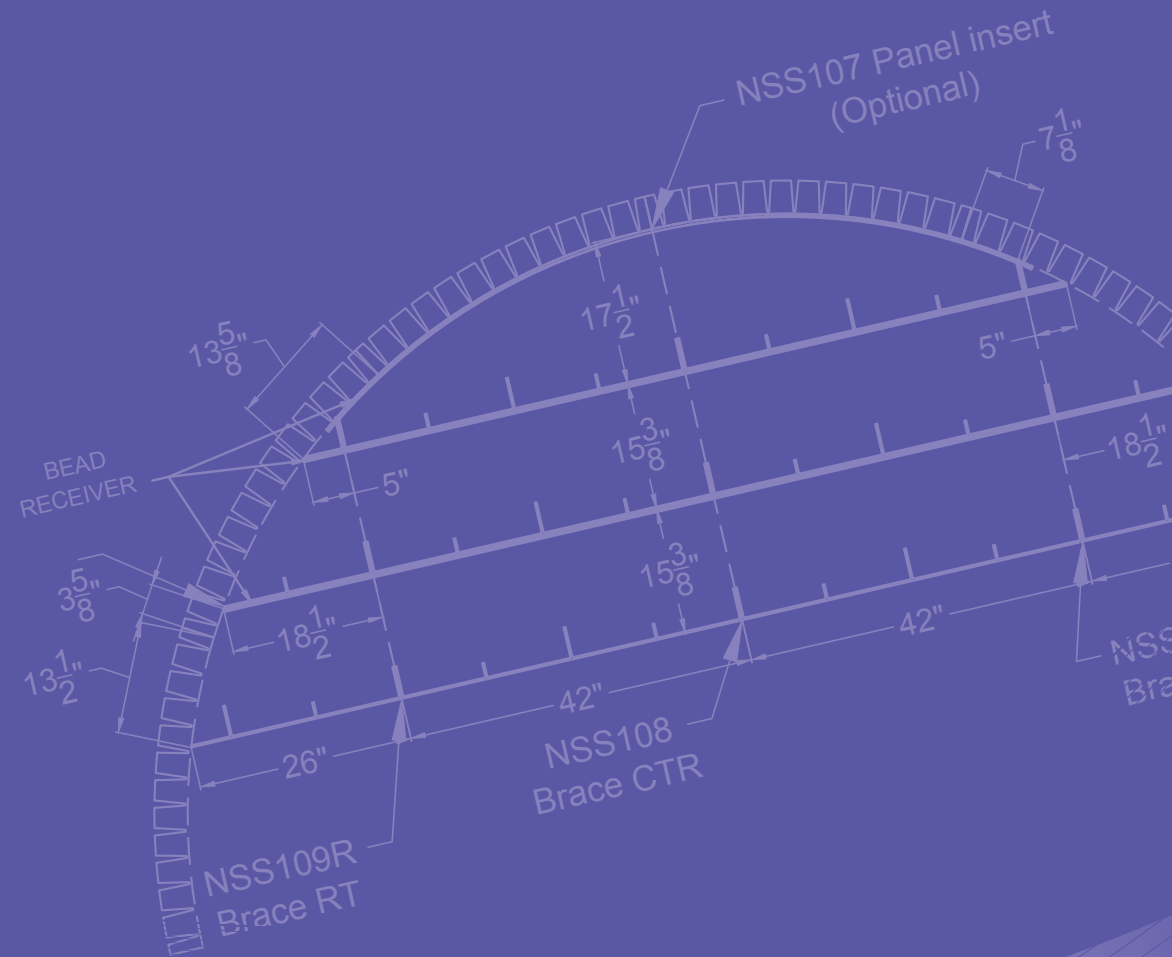
PUSH THE LINER MATERIAL FORWARD on the tread using a **Vinyl Works Liner Stair Bead Assistance Tool** (Item - **VWSBAT1** for Straight Stairs and **VWSBAT2** for Radius Stairs). This will relieve the tension on the liner bead allowing the liner material to pull **STRAIGHT UP** and **OUT** from the bead receiver. **NEVER try to just pull the liner bead from the bead receiver without relieving the tension first.** Over pulling could damage the liner. (See guidelines on the drawing below.)



If Bead Removal Assistance Tool is not available, you can use your hands to push the liner material forward to relieve the tension. **NEVER** use tools that could damage the liner, such as screwdrivers, scrapers or putty knives. (See drawing for details.)



(Continue liner installation as detailed in Owner's Manual, Section V)



**Imperial**  
**POOLS INC.**  
 REDEFINING ONE SOURCE

33 Wade Road | Latham, NY 12110